

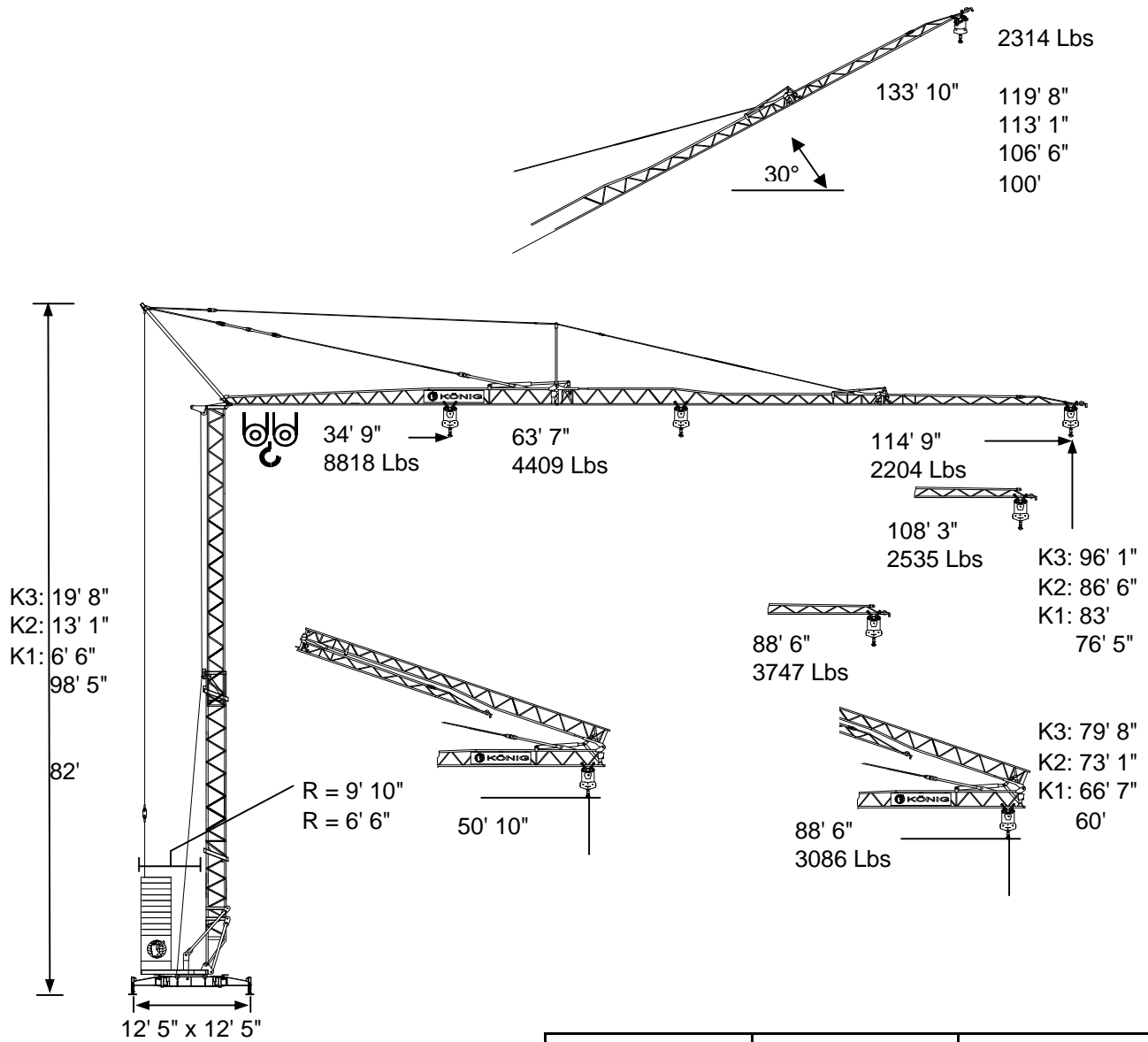
Koenig K 1035 TKH Self Erecting Tower Crane

KOENIG CRANES
North America

Bringing Innovation To Construction

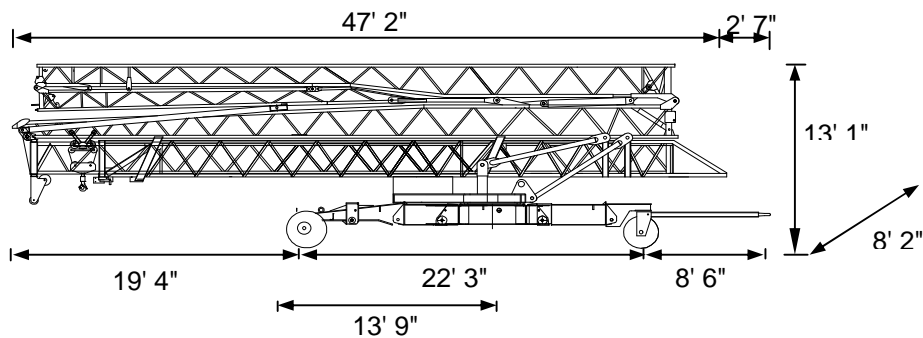
Phone: 877-852-2192 Fax: 604-852-4421
Email: info@koenigcranes.com Internet: www.koenigcranes.com

K1035 TKH Technical Data



	In service	Out of service
Reactions	26.4 T	23.1 T

Transport



K1035 TKH Technical Data

Radius and capacity

Radius		max capacity		ft x lbs											
ft	0°	T	ft	62	65	72	78	85	88	98	101	104	108	111	114
114		2.2	66	4409	4409	3990	3615	3284	3152	2777	2667	2579	2491	2403	2314
108		2.2	69	4409	4409	4232	3836	3505	3350	2954	2843	2733	2645		
88		2.2	78	4409	4409	4409	4409	4034	3858						
30°		Radius (ft)		54	57	62	68	74	77	85	88	91	94	97	100
30°		Hook Height (ft)		107	109	112	115	119	120	125	127	128	130	132	133

Radius		max capacity		ft x lbs											
ft	0°	T	ft	32	42	49	55	62	68	75	82	88	98	108	114
114		2.2	63	4409	4409	4409	4409	4409	4100	3681	3350	3064	2711	2425	2270
		4.4	34	8818	7054	5952	5158	4519	4034	3615	3284	2998	2645	2358	2204
108		2.2	67	4409	4409	4409	4409	4409	4365	3946	3571	3284	2910	2601	
		4.4	36	8818	7517	6355	5489	4828	4298	3880	3505	3218	2843	2535	
88		2.2	76	4409	4409	4409	4409	4409	4409	4409	4166	3813			
		4.4	41	8818	8708	7363	6371	5621	5004	4497	4100	3747			

Speeds

	Step	ft/min	lbs	kW
	1	19-9	4409-8818	3.5
	2	72-36	4409-8818	9 PU
	3	144-72	2525-4850	11
	1	19-9	4409-8818	
	2	72-36	4409-8818	11 FU
	3	144-72	2525-4850	
	1	65		1.1
	2	131		1.5 PU
		0-164		3 FU
	0 - 0.8	U/min. sl./min. tr./min.		3.0 FU



Cross section of cable up to
5x10²

Operation voltage
400 V

Frequency
50 Hz

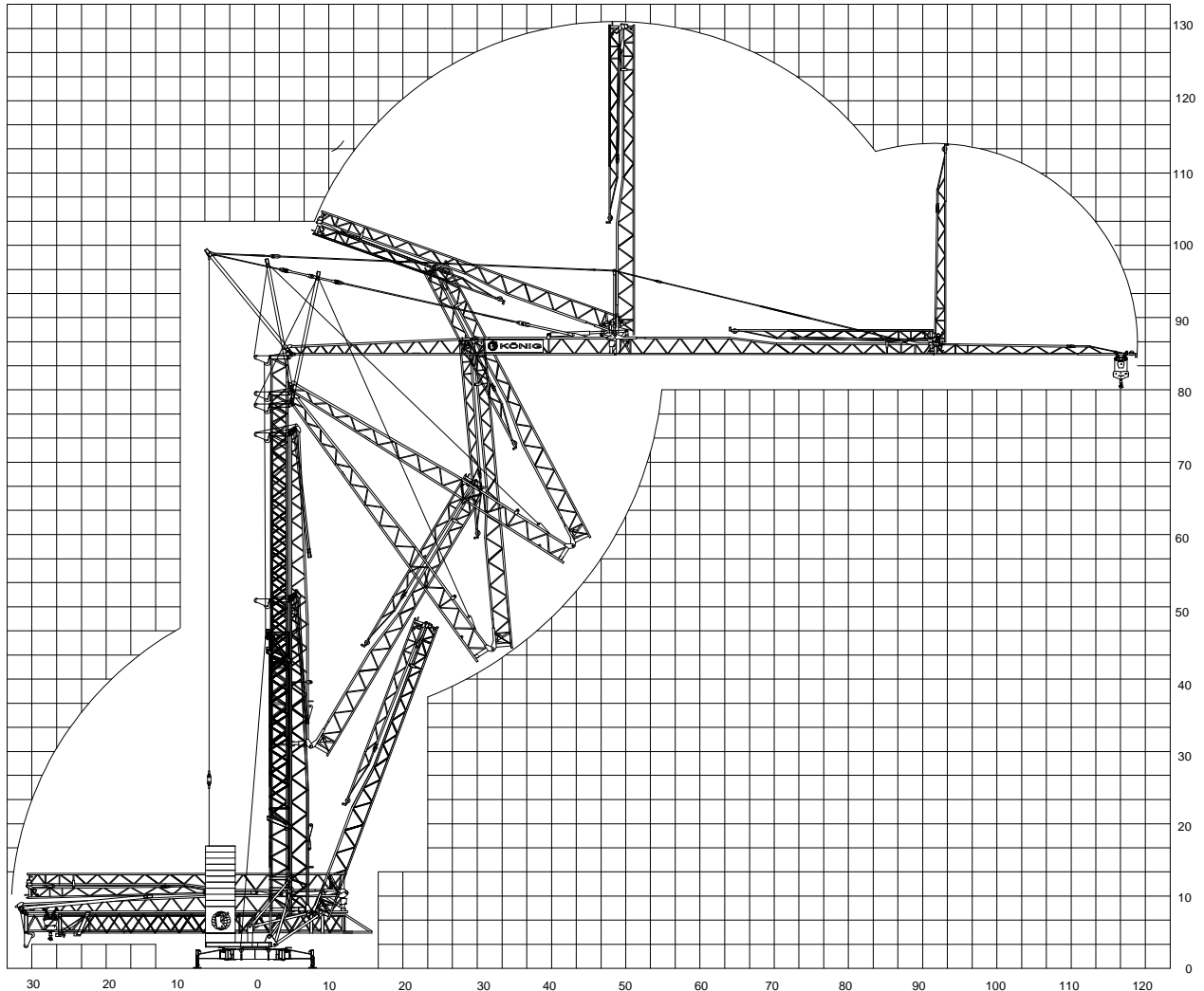
Power requirement
13,2 kVA (14,7 KW)

Weights

Central ballast weight				Transport weight approx.	15T
Counterweight	R=9	10 x 2.3 T	23T	Dead weight approx.	13 T
	R=6	12 x 23T	27T		

K1035 TKH Technical Data

Erection



KOENIG CRANES
North America

Bringing Innovation To Construction

Phone: 877-852-2192 Fax: 604-852-4421
Email: info@koenigcranes.com Internet: www.koenigcranes.com
All measurements and weights subject to alterations