

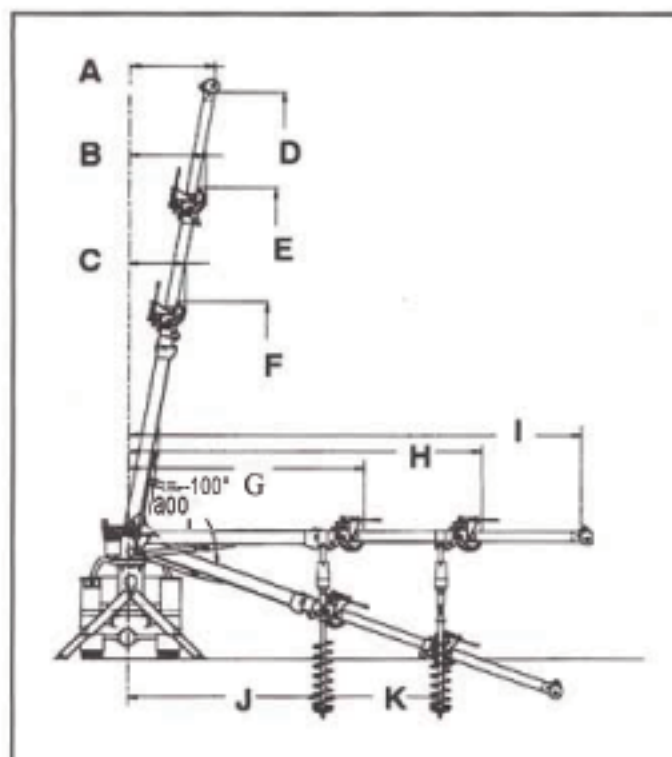
STANDARD FEATURES AND EQUIPMENT

- Single Lift Cylinder
- Box Fabricated Booms
- Full Pressure Hydraulic Controls
- Self-Aligned Swivel Ball Bushings
- Custom Manufactured Zoned Load Chart
- Continuous Unrestricted Rotation
- 50 Gallon Hydraulic Oil Reservoir
- Steel Hydraulic Second Section
- Full Capacity Fiberglass Hydraulic Third Section
- Meets or Exceeds ANSI A10.31
- 100° of Boom Travel (+80° to -20°)
- Boom Interlock

OPTIONAL EQUIPMENT

- Tilt Pole Plummer
- Transferable Pole Buddy
- Diggers/Augers
- Various Types of Outriggers
- Hydraulic Overload Protection
- Platforms
- Top Controls
- Jibs
- Pole Puller

WORKING ENVELOPE



CAPACITIES & DIMENSIONAL DATA

Model	Maximum Capacity	Capacity @ 10 ft. Radius	Load Radius			Sheave Height			Horizontal Reach			Digging Radius	
			A	B	C	D	E	F	G	H	I	J	K
L4040													
TM Winch	26,590lb (12,067 kg)	10,110lb (4,586 kg)	5.6 ft (1.7 m)	4.2 ft (1.3 m)	2.8 ft (0.9 m)	41.5 ft (12.6 m)	33.6 ft (10.2 m)	25.8 ft (7.9 m)	15.5 ft (4.7 m)	23.5 ft (7.2 m)	31.5 ft (9.6 m)	13.0 ft (4.0 m)	8.0 ft (2.4 m)
PG Winch	20,960lb (9,507 kg)	9,480lb (4,300 kg)	5.4 ft (1.6 m)	4.7 ft (1.4 m)	3.3 ft (1.0 m)	40.9 ft (12.5 m)	32.7 ft (10.0 m)	24.8 ft (7.6 m)	14.6 ft (4.5 m)	22.6 ft (6.9 m)	30.8 ft (9.4 m)	13.0 ft (4.0 m)	8.0 ft (2.4 m)
L4042													
TM Winch	25,070lb (11,372 kg)	10,000lb (4,536 kg)	5.8 ft (1.8 m)	4.4 ft (1.3 m)	3.0 ft (0.9 m)	42.5 ft (13.0 m)	34.6 ft (10.5 m)	26.8 ft (8.2 m)	16.5 ft (5.0 m)	24.5 ft (7.5 m)	32.5 ft (9.9 m)	14.0 ft (4.3 m)	8.0 ft (2.4 m)
PG Winch	19,960lb (9,054 kg)	9,250lb (4,196 kg)	5.6 ft (1.7 m)	4.8 ft (1.5 m)	3.4 ft (1.0 m)	41.9 ft (12.8 m)	33.7 ft (10.3 m)	25.8 ft (7.9 m)	15.6 ft (4.8 m)	23.6 ft (7.2 m)	31.8 ft (9.7 m)	14.0 ft (4.3 m)	8.0 ft (2.4 m)
L4045													
TM Winch	23,670lb (10,737 kg)	9,820lb (4,454 kg)	6.3 ft (1.9 m)	4.7 ft (1.4 m)	3.1 ft (0.9 m)	45.5 ft (13.9 m)	36.6 ft (11.2 m)	27.7 ft (8.4 m)	17.5 ft (5.3 m)	26.5 ft (8.1 m)	35.5 ft (10.8 m)	15.0 ft (4.6 m)	9.0 ft (2.7 m)
PG Winch	19,020lb (8,627 kg)	8,990lb (4,078 kg)	6.1 ft (1.9 m)	5.2 ft (1.6 m)	3.6 ft (1.1 m)	44.8 ft (13.7 m)	35.7 ft (10.9 m)	25.8 ft (8.2 m)	16.6 ft (5.1 m)	25.6 ft (7.8 m)	34.8 ft (10.6 m)	15.0 ft (4.6 m)	9.0 ft (2.7 m)

Photographs and illustrations represented in this literature are for informational purposes only and may depict optional or additional equipment not offered as standard. Always refer to the appropriate operator's manual for safe and proper operation of TEREX Telesit equipment. TEREX Telesit reserves the right to make design changes as necessary.

For More Information: