



TEREX®

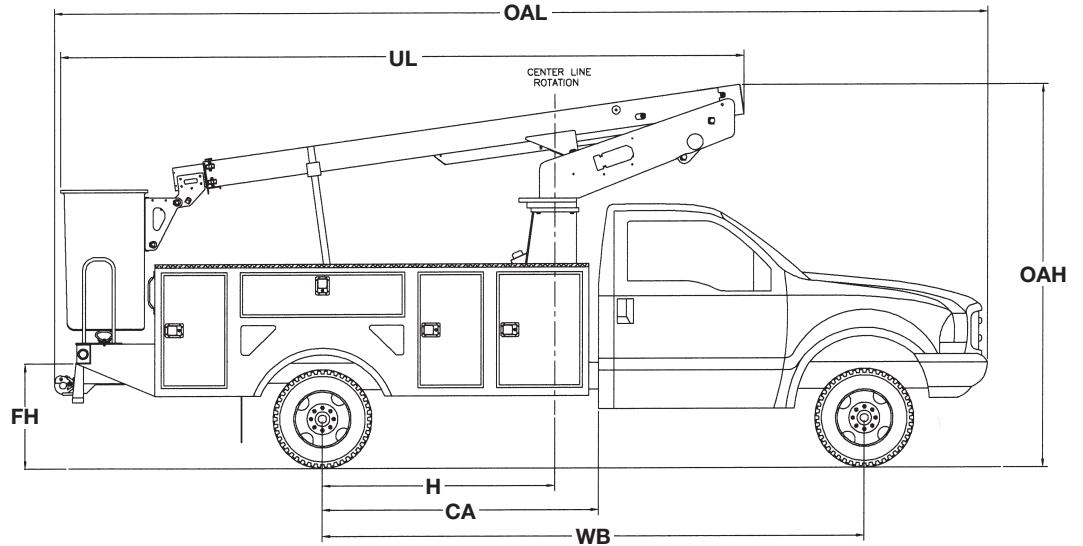
Utilities

T292 SERIES

Hi-Ranger Telescopic Aerial Device

AERIAL DEVICES

Terex® Hi-Ranger Aerial Devices are known throughout the industry. They come with a long history featuring quality and innovative design.



Measurements	T292	T292
	ORA	Van Mount
Frame Height (FH)	32 in. (81 cm)	26 in. (66 cm)
Offset (O)	57 in. (145 cm)	57 in. (145 cm)
Overall Height (OAH)	9' 6" (2.9 m)	9' 11" (3.0 m)
Overall Length (OAL)	22' 8" (6.9 m)	21' 2" (6.5 m)
Unit Length (UL)	17' 0" (5.2 m)	17' 0" (5.2 m)
Center of Rotation (H)	70.5 in. (179.1 cm)	66 in. (167.6 cm)
Cab to Axle (CA)	84 in. (213.4 cm)	
Wheel Base (WB)	159 in. (403.9 cm)	159 in. (403.9 cm)
Front Axle (GAWR)	4,100 lb. (1,860 kg)	4,000 lb. (1,814 kg)
Rear Axle (GAWR)	7,500 lb. (3,402 kg)	6,000 lb. (2,722 kg)
Gross Vehicle Weight Rating (GVWR)	10,000 lb. (4,536 kg)	9,200 lb. (4,173 kg)
Recommended Weight For Stability	8,000 lb. (3,629 kg)	8,000 lb. (3,629 kg)
Frame Section Modulus	7.5 in ³	6.5 in ³
Frame Yield Strength	36,000 psi	36,000 psi
Frame RBM	27,000 in-lbs	23,400 in-lbs



TEREX® Utilities

500 Oakwood Drive
PO BOX 1150
Watertown, SD 57201-6150
USA

Phone: (605) 882-4000
Facsimile: (605) 882-1842
www.terexutilities.com
E-mail: sales@terexutilities.com

Distributed By:

T292 SERIES

Hi-Ranger Telescopic Aerial Device

STANDARD EQUIPMENT

- Open-Center Hydraulic System
- Safety Harness With Attached Lanyard
- Stop/Start At Upper Controls
- 370° Non-continuous Rotation
- Padded Boom Rest
- 7 Gallon Hydraulic Oil Reservoir Inside Pedestal
- Lower Controls Override Upper Controls

INSULATED, SIDE MOUNT

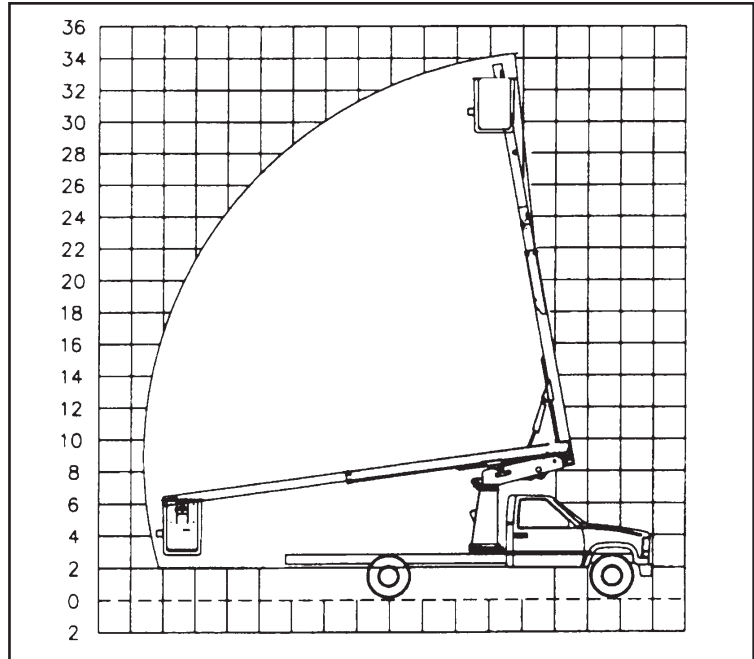
- 24" x 24" x 42" One-Person Side Mount Platform
300 lb. Capacity - Gravity Leveled
- Turntable Mounted Lower Controls
- Boom Mount Individual Lever Hydraulic Upper Controls
- Category "C" Rating Per ANSI A92.2
- Steel Main And Fiberglass Second Section Boom

INSULATED, END MOUNT

- 24" x 24" x 42" One-Person End Mount Platform
300 lb. Capacity - Hydraulically Leveled
- Turntable Mounted Lower Controls
- Platform Mount Individual Lever Hydraulic Upper Controls
- Category "C" Rating Per ANSI A92.2
- Steel Main And Fiberglass Second Section Boom

NON-INSULATED, SIDE MOUNT

- 24" x 24" x 42" One-Person Side Mount Platform
300 lb. Capacity - Gravity Leveled
- Boom Mount Electric Toggle Upper Controls
- Pedestal Mounted Electric Toggle Lower Controls
- Steel Main And Aluminum Second Section Boom



NON-INSULATED, END MOUNT

- 24" x 24" x 42" One-Person End Mount Platform
300 lb. Capacity - Hydraulically Leveled
- Platform Mount Electric Toggle Upper Controls
- Pedestal Mount Electric Toggle Lower Controls
- Steel Main And Aluminum Second Section Boom

CAPACITIES & DIMENSIONAL DATA

	Bottom of Platform Height		Working Height		Horizontal Reach		Boom Travel		Platform Capacity
	Side Mt.	End Mt.	Side Mt.	End Mt.	Side Mt.	End Mt.	Above Horizontal	Below Horizontal	
T292	28.5 ft (8.7 m)	29.3 (8.9 m)	33.5 ft. (10.2 m)	34.3 ft. (10.4 m)	20.9 ft.* (6.4 m)	23.2* (7.1 m)	80°	-8	300 lbs (136.9 kg)

*On Non-Insulated units, the horizontal reach is 6" less.

OPTIONAL EQUIPMENT

- Van Mount Configuration
- 24" x 24" x 42" Curbside Cutout Platform (Non-Insulated)
- 24" x 30" x 42" Side Mount Platform (Insulated)
- 24" x 24" x 42" Square Splicer Platform (Non-Insulated)
- 350 lb. Platform Capacity
- Platform Liner (Insulated)
- Vinyl Platform Covers
- Continuous Unrestricted Rotation
- Two Speed Throttle Control
- Hydraulic Tool Outlets Above And/OR Below Rotation
- Moving Outrigger Alarm
- 12 Volt Auxiliary Let Down
- Stop/Start At Lower Controls
- A-Frame Outriggers With Boom Interlock
- 20 Gallon Remote Oil Reservoir
- Manual Hi/Low Speed
- Boom Overstow Protection
- Boom/Boom Stow Interlock

Effective Date: March 1, 2007. Product specifications and prices are subject to change without notice or obligation. The photographs and/or drawings in this document are for illustrative purposes only. Refer to the appropriate Operator's Manual for instructions on the proper use of this equipment. Failure to follow the appropriate Operator's Manual when using our equipment or to otherwise act irresponsibly may result in serious injury or death. The only warranty applicable to our equipment is the standard written warranty applicable to the particular product and sale and Terex makes no other warranty, express or implied. Products and services listed may be trademarks, service marks or trade-names of Terex Corporation and/or its subsidiaries in the USA and other countries and all rights are reserved. "Terex" is a registered trademark of Terex Corporation in the USA and many other countries. Copyright 2007 Terex Corporation.