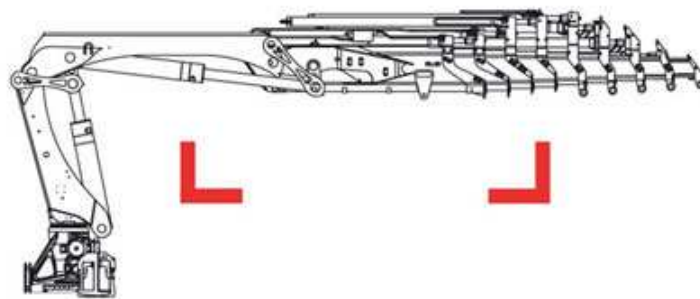


HIAB 477 EP-5 HiPro

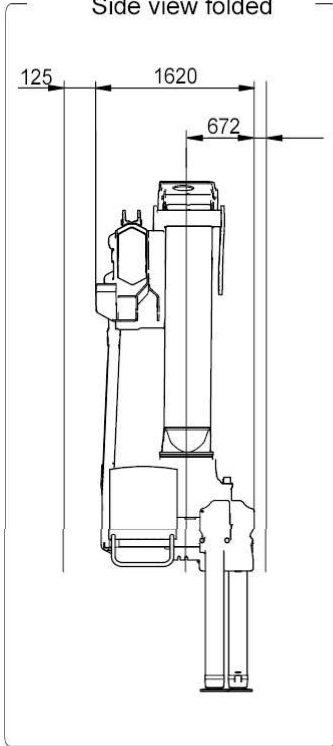


Technical Data

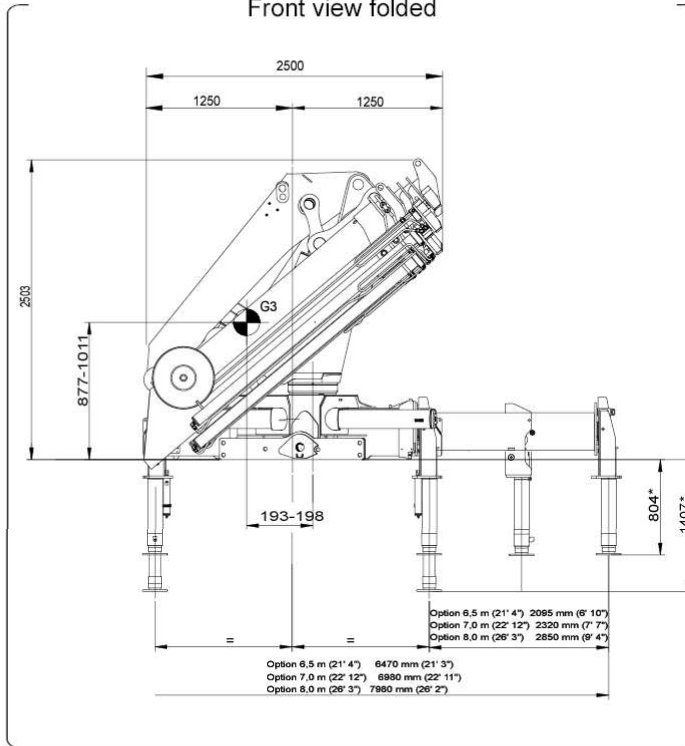




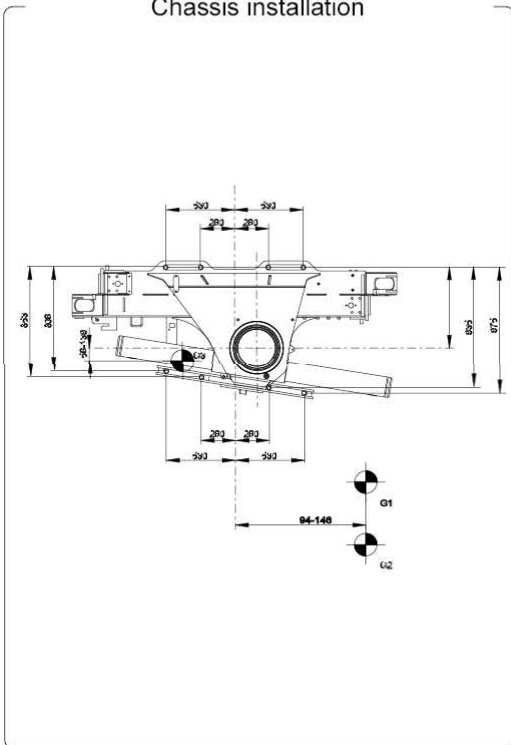
Side view folded



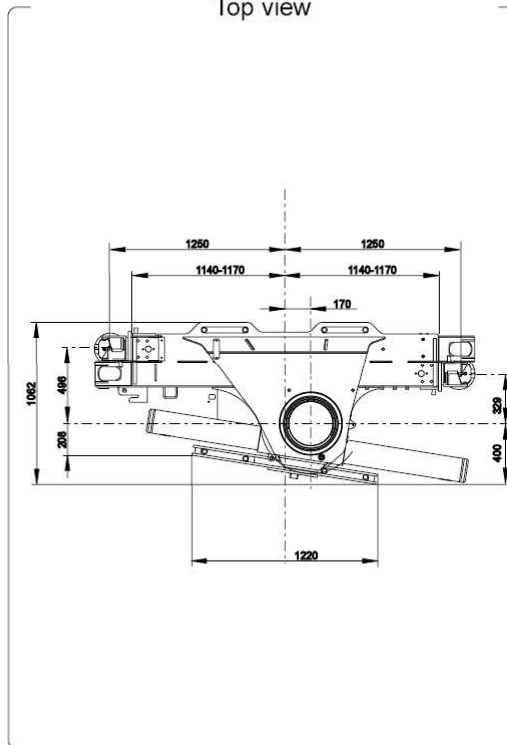
Front view folded



Chassis installation



Top view



Version

HIAB 477 EP-5 HiPro

| | | |
|--|-------|---|
| M _{dyn} | | 521 kNm |
| Lifting capacity | kNm | 381 |
| Lifting capacity | tm | 38.8 |
| Lifting capacity (ADC) | kNm | 412 |
| Lifting capacity (ADC) | tm | 42.0 |
| Outreach - lifting capacity, standard | m-kg | 3.4 - 12,000 4.9 - 8,600 6.8 - 6,000 8.8 - 4,500 11.0 - 3,550 13.2 - 2,900 15.4 - 2,480 |
| Outreach - lifting capacity, manual extensions | m-kg | |
| Hydraulic outreach, standard | m | 15.4 |
| Hydraulic boom extension | m | 10.6 m |
| Outreach, manual extensions | m | 0.0 |
| Lifting height above installation level, hydr/man | m | 18.1 / 0.0 |
| Rec. oil flow | l/min | 70 - 120 |
| Power needed at rec. oil flow V80 | kW | - |
| Power needed at rec. oil flow V91 | kW | - |
| Working pressure | Mpa | 35.0 |
| Oil in tank | l | 0 - 300 |
| Tank capacity | l | 0 - 340 |
| Slewing angle | ∅ | 400 - 400 |
| Max slope viable at full capacity | ° | 4 |
| Slewing torque, gross | kNm | 55.4 |
| Slewing speed 80 | °/s | 12 |
| Slewing speed | °/s | 12 |
| Lifting speed at standard hydraulic outreach | m/s | 0.0 |
| Height in folded position | mm | 2,503 |
| Width in folded position | mm | 2,500 |
| Install space required. Rotation area not included | mm | 1,620 |
| Install space required with hose and pipe kit | mm | 1,745 |
| Weight | | |
| Crane in standard version without support legs | kg | 4,430 |
| Top seat | kg | 0 |
| Frame attachments | kg | 0 |
| Support leg equipment | kg | 640 - 840 |

Data sheet

HIAB 477 EP-5 HiPro