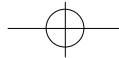


# HI-RANGER T292 SERIES TELESCOPIC AERIAL DEVICE



 **TEREX TELELECT**  
simple, available and cost effective



## SPECIFICATIONS

## HI-RANGER T292 SERIES

### STANDARD EQUIPMENT

- Open-Center Hydraulic System
- Safety Harness With Lanyard And Build In "D" Ring
- Stop/Start At Upper Controls
- 370° Non-continuous Rotation
- Padded Boom Rest
- 7 Gallon Hydraulic Oil Reservoir Inside Pedestal
- Lower Controls Override Upper Controls

### INSULATED, SIDE MOUNT

- 24" x 24" x 42" One-Person Side Mount Platform  
300 lb. Capacity - Gravity Leveled
- Turntable Mounted Lower Controls
- Boom Mount Individual Lever Hydraulic Upper Controls
- Category "C" Rating per ANSI A92.2
- Steel Main and Fiberglass Second Section Boom

### INSULATED, END MOUNT

- 24" x 24" x 42" One-Person End Mount Platform  
300 lb. Capacity - Hydraulically Leveled
- Turntable Mounted Lower Controls
- Platform Mount Individual Lever Hydraulic Upper Controls
- Category "C" Rating per ANSI A92.2
- Steel Main and Fiberglass Second Section Boom

### NON-INSULATED, SIDE MOUNT

- 24" x 24" x 42" One-Person Side Mount Platform  
300 lb. Capacity - Gravity Leveled
- Boom Mount Electric Toggle Upper Controls
- Pedestal Mounted Electric Toggle Lower Controls
- Steel Main and Aluminum Second Section Boom

### NON-INSULATED, END MOUNT

- 24" x 24" x 42" One-Person End Mount Platform  
300 lb. Capacity - Hydraulically Leveled
- Boom Mounted Electric Toggle Upper Controls
- Pedestal Mount Electric Toggle Lower Controls
- Steel Main and Aluminum Second Section Boom

Photographs and illustrations represented in this literature are for informational purposes only and may depict optional or additional equipment not offered as standard. Always refer to the appropriate operator's manual for safe and proper operation of Terex Telelect equipment. Terex Telelect reserves the right to make design changes as necessary.

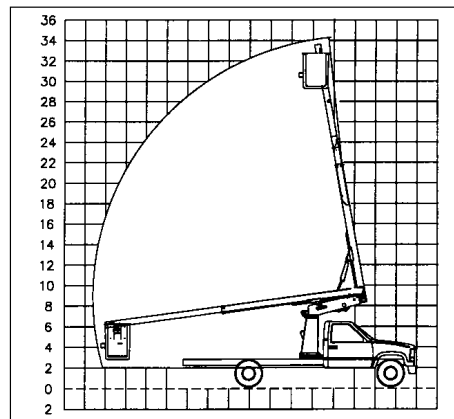
### CAPACITIES & DIMENSIONAL DATA

	Side Mt.	End Mt.
Bottom of Platform Height	28.5 ft (8.7 m)	29.3 ft. (8.9 m)
Working Height	33.5 ft. (10.2 m)	34.3 ft. (10.4 m)
Horizontal Reach	20.9 ft. (6.4 m)	23.2 ft. (7.1 m)
Boom Travel (Above Horizontal)		80°
Boom Travel (Below Horizontal)		-8
Platform Capacity	300 lbs. (136.9 kg)	

### OPTIONAL EQUIPMENT

- Van Mount Configuration
- 24" x 24" x 42" Curbside Cutout Platform (Non-insulated)
- 24" x 30" x 42" Side Mount Platform (Insulated)
- 24" x 24" x 42" Square Splicer Platform (Non-insulated)
- 350 lb. Platform Capacity
- Platform Liner (Insulated)
- Vinyl Platform Covers
- Continuous Unrestricted Rotation
- Two Speed Throttle Control
- Hydraulic Tool Outlets Above and/or Below Rotation
- 12 Volt Auxiliary Let Down
- Stop/Start At Lower Controls
- A-Frame Outriggers
- 20 Gallon Remote Oil Reservoir
- Manual Hi/Low Speed

### WORKING ENVELOPE



### For More Information:

**TEREX TELELECT**  
TEREX TELELECT IS A UNIT OF TEREX CRANES

600 Oakwood Road  
PO BOX 1150  
Watertown, SD 57201  
USA

Phone: (605) 882-4000  
Facsimile: (605) 882-1842