

**SL 280 Standard**  
– handy and compact

# SL 280 Standard

for indoor use



**Lifts and handles  
elements up to 280 kg**

SL 280 Standard is a compact and robust lifting device with a tight turning radius.

This Smartlift has been designed with an electric lifter and electric telescopic arm – which extends up to 50 cm.

- Two vacuum circuits with two pumps
- Accurate to the millimeter
- Handy and compact
- Multifunctional
- Self-propelled
- Tried-and-tested Danish quality

*A versatile and flexible lifting device.*



*The SL 280 Standard is available with a special device for the handling of other materials.*

N.A. Christensensvej 39  
DK-7900 Nykøbing Mors  
Tlf.: +45 97 72 29 11  
E-mail: [smart@smartlift.dk](mailto:smart@smartlift.dk)  
[www.smartlift.dk](http://www.smartlift.dk)

**Smart Lift**  
DENMARK

This Smartlift can be shifted sideways for final precise corrections prior to installation.



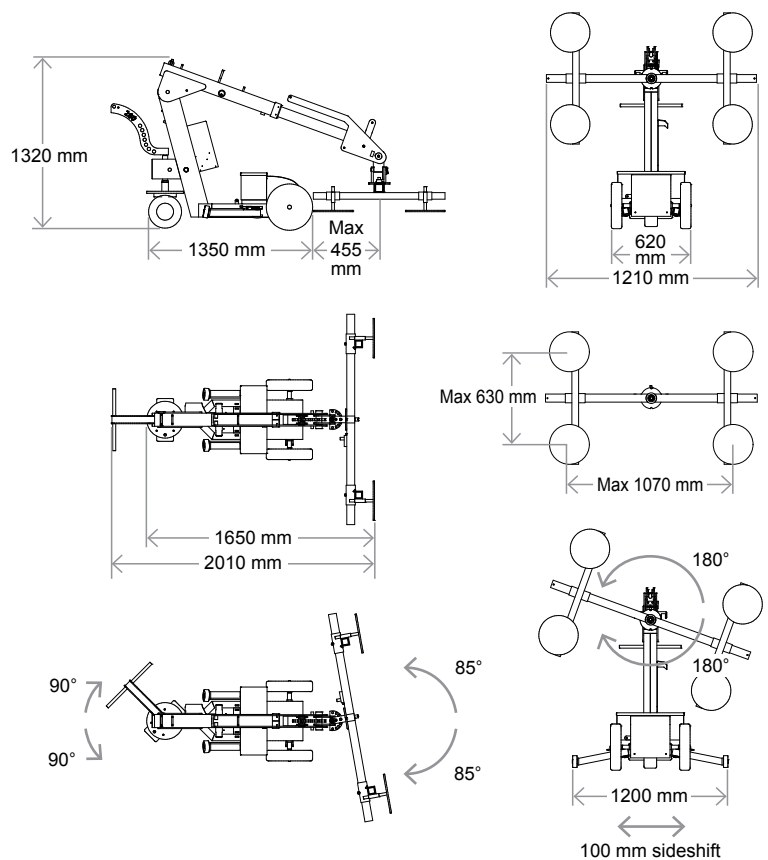
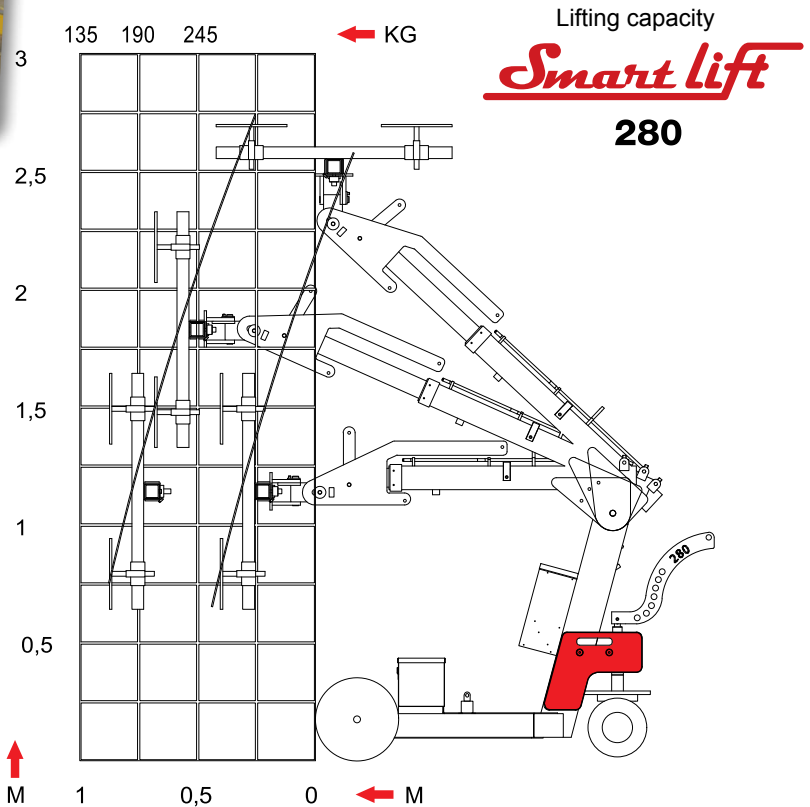
The lifting device has a multifunctional swivel head.



The Smartlift is easy to transport in a van or on a trailer.

## Technical data

Description	Value
Weight	470 kg
Height	1320 mm
Width (min)	620 mm
Length (min)	1400 mm
Extension of arm	500 mm
Tip from horizontal	50° back/50° forward
Sideshift	100 mm
Vacuum system	2-circuit
Charging voltage	230 volt
Integrated charger	Cetek XT 14000
Charging time	Approx 8 timer
Battery (2 x 12v) 24 volt	2 x 60 A
Running period	Approx 30 timer
Front-wheel drive	700 Watt
Suction pads	4 unit Ø 300 mm



N.A. Christensensvej 39  
 DK-7900 Nykøbing Mors  
 Tlf.: +45 97 72 29 11  
 E-mail: smart@smartlift.dk  
 www.smartlift.dk