

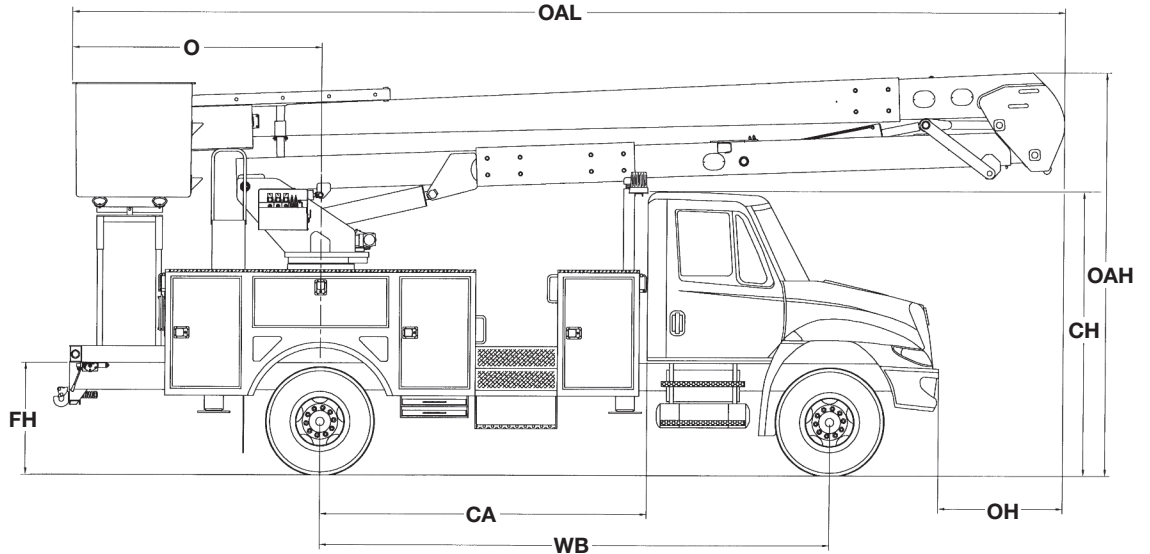


TEREX®

TC SERIES Hi-Ranger Non-Overcenter Material Handling Aerial Device

AERIAL DEVICES

Terex® Hi-Ranger Aerial Devices are known throughout the industry. They come with a long history featuring quality and innovative design.



Measurements	TC52	TC55	TC65
Typical Frame Height (FH)	40 in. (101.6 cm)	40 in. (101.6 cm)	40 in. (101.6 cm)
Typical Cab Height	108 in. (274.3 cm)	108 in. (274.3 cm)	108 in. (274.3 cm)
Offset (O)	85.5 in. (217.2 cm)	85.5 in. (217.2 cm)	84 in. (213.4 cm)
Overall Height (OAH)	12' 2" (3.7 m)	12' 2" (3.7 m)	12' 6" (3.8 m)
Overall Length (OAL)	28' 11" (8.8 m)	30' 4" (9.2 m)	35' 9" (10.9 m)
Over Hang (OH)	4' 1" (1.2 m)	5' 1" (1.3 m)	9' 8" (2.9 m)
Center of Rotation (H)	-	-	-
Cab to Axle (CA)	102 in. (259 cm)	108 in. (374.3 cm)	120 in. (304.8 cm)
Wheel Base (WB)	174 in. (442.0 cm)	180 in. (457.2 cm)	192 in. (487.7 cm)
Front Axle (FA)	10,500 lb. (4,763 kg)	10,500 lb. (4,763 kg)	12,000 lb. (5,443 kg)
Rear Axle (RA)	19,000 lb. (8,618 kg)	19,000 lb. (8,618 kg)	21,000 lb. (9,525 kg)
Gross Vehicle Weight Rating (GVWR)	29,500 lb. (13,381 kg)	29,500 lb. (13,381 kg)	33,000 lb. (14,969 kg)
Recommended Weight for Stability	16,000 lb. (7,258 kg)	17,000 lb. (7,711 kg)	22,000 lb. (9,979 kg)
Frame Section Modulus	18.0 in ³	18.0 in ³	18.0 in ³
Frame Yield Strength	50,000 psi	50,000 psi	50,000 psi
Frame RBM	900,000 in-lbs	900,000 in-lbs	900,000 in-lbs



TEREX®

500 Oakwood Drive
PO BOX 1150
Watertown, SD 57201-6150
USA

Phone: (605) 882-4000
Facsimile: (605) 882-1842
www.terexutilities.com
E-mail: utilities.info@terex.com

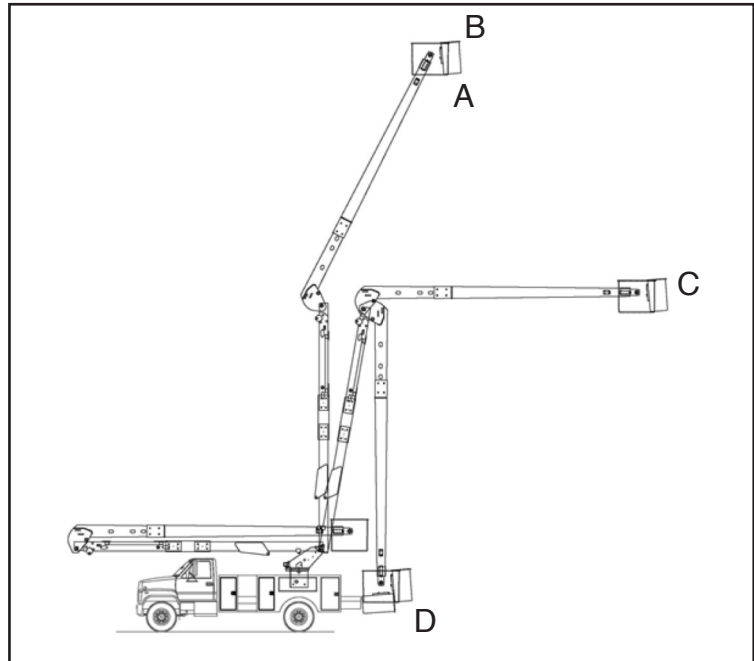
Distributed By:

TC SERIES

Hi-Ranger Non-Overcenter Material Handling Aerial Device

STANDARD EQUIPMENT

- Side-Mount 24" x 30" x 42" One-Person Platform
- Platform Capacity up to 700 lb. (318 Kg)
- Control-Plus "3-D" Single Stick Control at Platform
- Safety Harness with Attached Lanyard
- Continuous Unrestricted Worm Gear Rotation
- Category "C" Rating Per ANSI A92.2
- Rectangular, Bi-Axial Epoxy Resin, Filament Wound Fiberglass Booms
- Individual Lever Lower Controls
- Power Assist Control System with Automatic Throttle
- Hydraulic Platform Tilt at Upper and Lower Controls
- Hydraulic Lower, Mechanical Upper Platform Leveling System
- 63° of Elevation Above Horizontal
- 163° of Upper Boom Articulation
- 100° Lower Boom Articulation
- Compensated Boom Design
- Pilot-Operated, Closed-Center Hydraulic System
- 35 Gallon Hydraulic Oil Reservoir
- Padded Boom Rest with Upper Boom Tie Down
- Boom Interlock
- Moving Outrigger Alarm
- Truck Level Indicator



CAPACITIES & DIMENSIONAL DATA (Based on a 40 Inch Frame Height)

MODEL	A	B	C	D
	Bottom of Platform Height	Working Height	Side Reach	Platform to Ground
TC52	52.0 ft. (15.8 m)	57.0 ft. (17.4 m)	36.6 ft. (11.2 m)	1.6 ft. (0.5 m)
TC55	55.0 ft. (16.8 m)	60.0 ft. (18.3 m)	38.3 ft. (11.7 m)	1.6 ft. (0.5 m)
TC65	65.0 ft. (19.8 m)	70.0 ft. (21.3 m)	41.8 ft. (12.7 m)	5.0 ft. (1.5 m)

OPTIONAL EQUIPMENT

- Two Person Side or End Mount Platform
- Various Platform Covers
- Liners With or Without Steps
- Hydraulic Platform Rotators (180° End Mt, 90° Side Mt)
- 24" Platform Lifter
- Jib Options (Side Mount Only)
 - Hydraulic Jib Extension Systems
 - Hydraulic Articulating Jib/Winch, Side Mount 2000 lbs. (907 kg)
 - Hydraulic Articulating Jib/Winch, Underslung Mount 1500 lbs. (680 kg)
- Single Wire / 46 Kv Insulated Single Line Lifter / Multi-Phase Attachments
- Category "B" Rating Per ANSI A92.2
- Lower Boom Lifting Eye
- Automatic Upper Boom Latch
- Hydraulic Lifts: 13 ft., 15 ft. and 25 ft.
- Hydraulic Tool Outlets
- Pressure Compensated, Variable Volume Pumps
- Hydraulic Oil Cooler
- Engine Stop/Start
- Auxiliary Power
- Auxiliary Let Down System
- Boom Overstow Protection
- Boom/Boom Stow Interlock
- Boom Storage Warning Light
- Outrigger Sag Light
- Various Types of Outriggers
- Truck Grounding Cable & Clamp
- Hybrid Enable
- HyPower™ Hybrid System by Terex®

Effective Date: January, 2011. Product specifications and prices are subject to change without notice or obligation. The photographs and/or drawings in this document are for illustrative purposes only. Refer to the appropriate Operator's Manual for instructions on the proper use of this equipment. Failure to follow the appropriate Operator's Manual when using our equipment or to otherwise act irresponsibly may result in serious injury or death. The only warranty applicable to our equipment is the standard written warranty applicable to the particular product and sale and Terex makes no other warranty, express or implied. Products and services listed may be trademarks, service marks or trade-names of Terex Corporation and/or its subsidiaries in the USA and other countries. All rights are reserved. Terex® is a registered trademark of Terex Corporation in the USA and many other countries. Copyright 2011 Terex Corporation.