

**SPIERINGS**

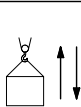
MOBILE CRANES

Make: **SPIERINGS**Type: **SK2400-AT7****LM1****Crane specification (Jib length 42 m)**

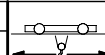
Strength / stability : as per EN 13001	Max. load 18,0 tonne	Max. radius with max. load 13,5 m	Max. capacity 243 tm	Max. jib length 42 m
Stability : as per ISO 4305				
Classification : as per ISO 4301-2.A4				

Serial Number Year of construction

Max. speed Jib horizontal / 30° luffed



m/min	kg
10	18000
20	9000
30	4500
50	2250
75	0



0 - 70 m/min



0-0,9 r/min

All motions with hydraulic proportional controls.

Luffing the jib 30° can be controlled from crane cab or by remote control.

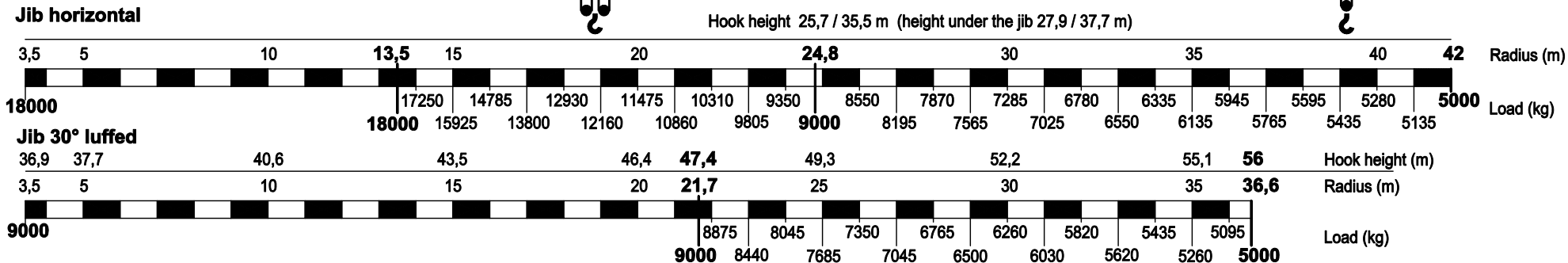
Counterweight Crane : 23000 kg.
 Continuous slewing of the crane (360°) with the outriggers out and support pads down.
 Crane can be driven in its erected position under special conditions (refer user guide).
 The crane should be folded in at wind force 10 (Bf) (24 m/sec) or when not in use for a longer period.

Rated lifting capacity is net capacity.
 Max. line pull force : 4500 kg.
 2 parts of line : 9000 kg.
 4 parts of line : 18000 kg.
 Sail area of the load max.: 1,0 m²/ton.
 Operating temperature range from: -15°C till +40°C.

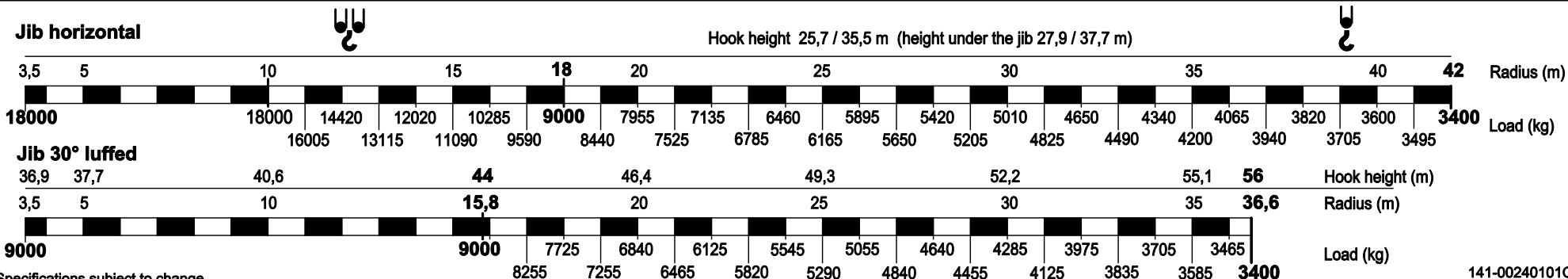
Outriggers positioned according to lifting chart
 Outrigger support base : 7,95 x 7,63 m.
 Operation allowed up to wind force 8 Bf (17 m/s)
 Outrigger support base : 7,95 x 5,72 m.
 Operation allowed up to wind force 8 Bf (17 m/s)
 Max. outrigger force: 600 kN.

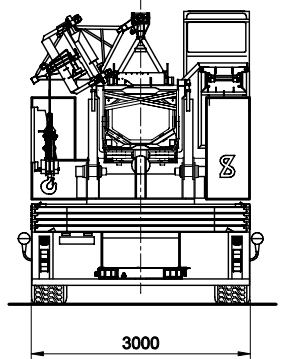
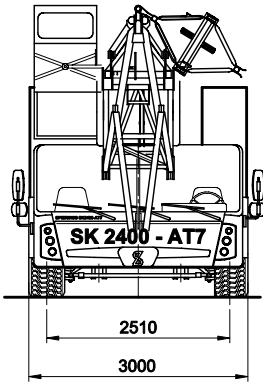
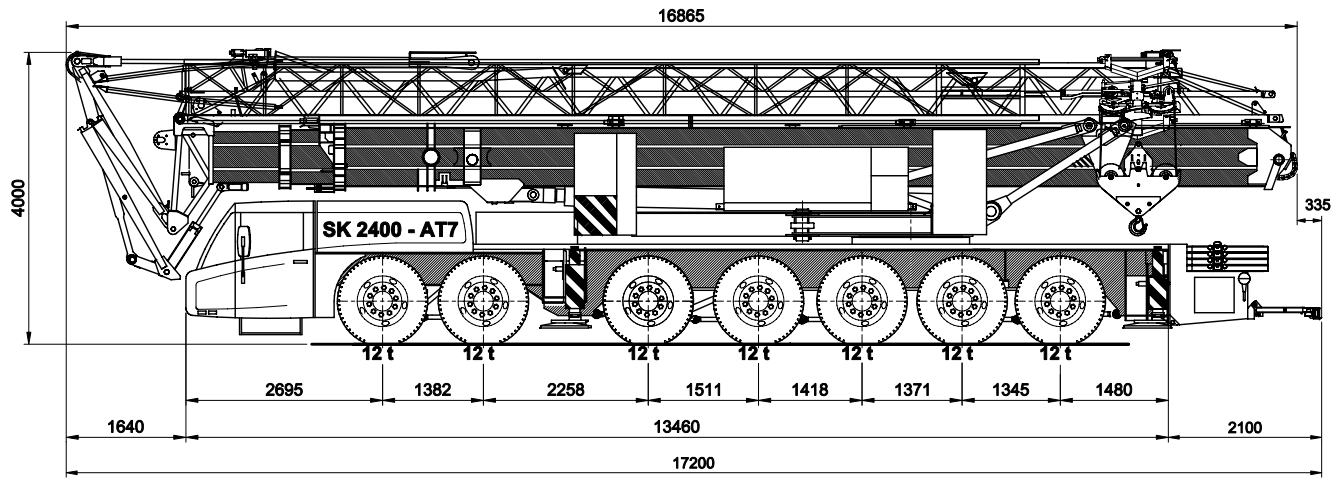
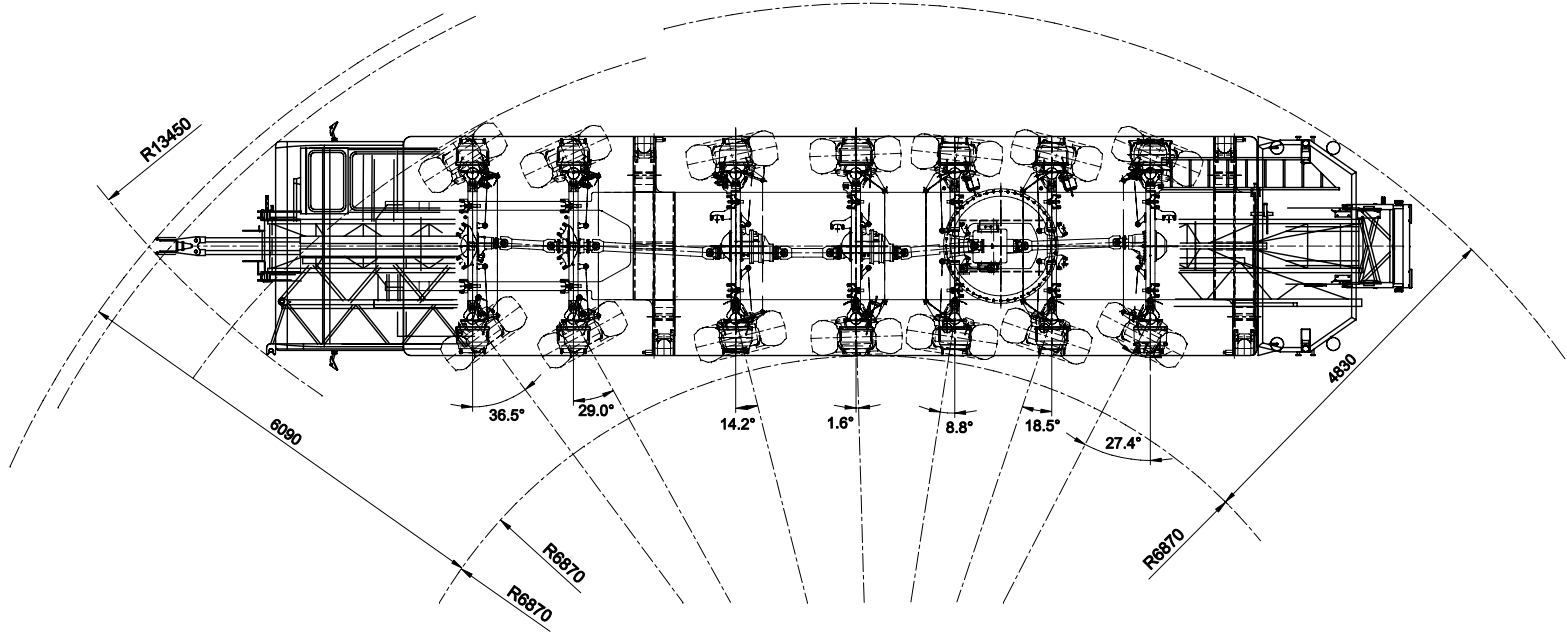
LIFTING CHART**Outrigger support base 7,95 m x 7,63 m**

up to wind force 8 on the Beaufort scale (17 m/sec)

**LIFTING CHART****Outrigger support base 7,95 m x 5,72 m**

up to wind force 8 on the Beaufort scale (17 m/sec)





Overall weight: 84000 kg

SPIERINGS HYDRAULIC FOLDING CRANE
SK2400 - AT7

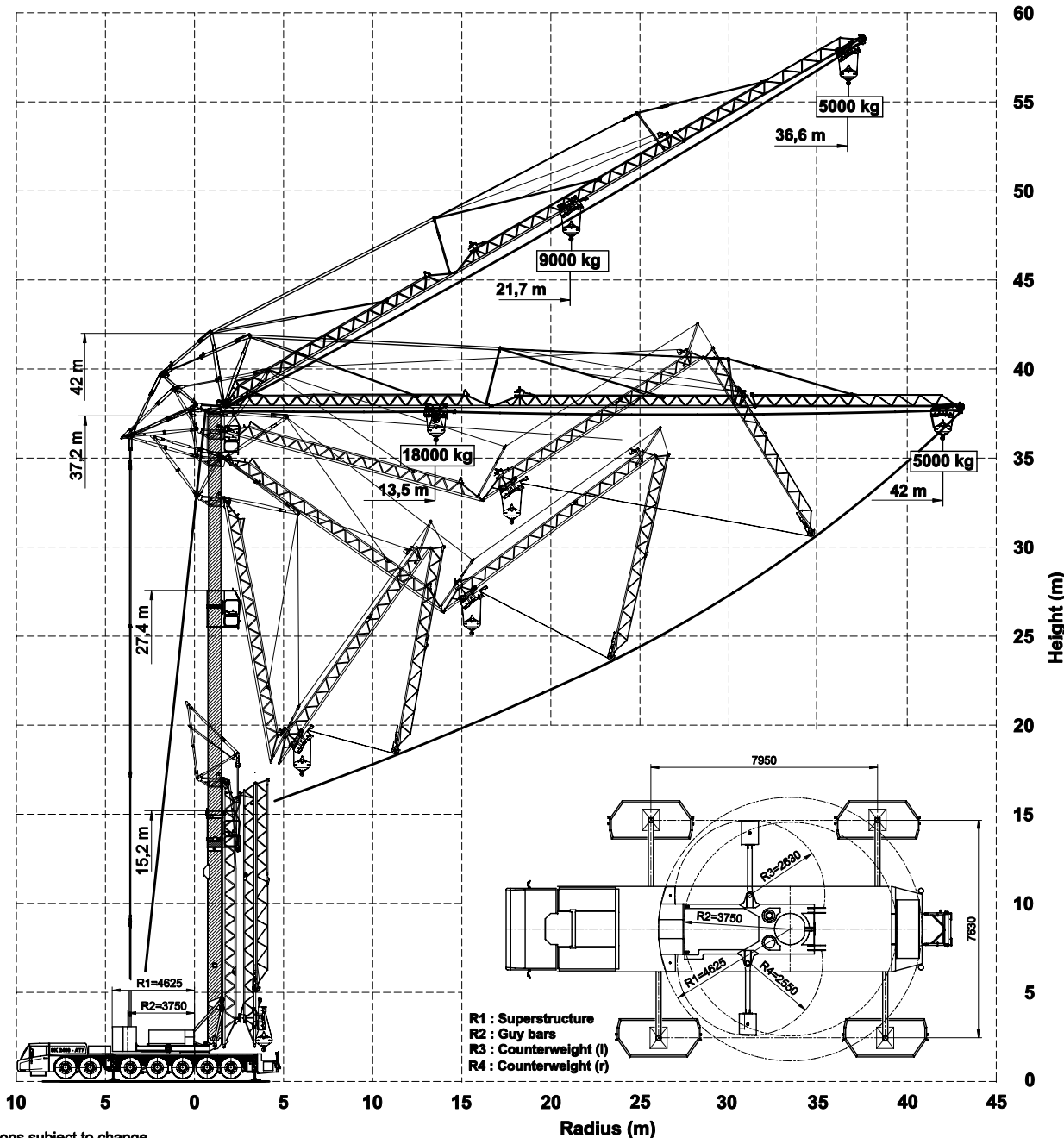
Specifications subject to change

SPIERINGS
MOBILE CRANES
 Merwedestraat 15
 5347 KZ Oss NL
 Tel. +31 (0)412-626984
 Fax +31 (0)412-645299
 www.spieringscranes.com

141-00240102

SPIERINGS HYDRAULIC FOLDING CRANE SK2400-AT7

Erection procedure of the crane



Max. outrigger force : 600 kN
 Outrigger support pads : 750x600 mm
 Ground pressure : 1,34 N/mm²
 Jib can be unfolded through 360°
 Luffing the jib 30° can be controlled from
 the crane cab or remote control

Outrigger support plates : 3000x1340 mm
 surface : 3,585 m²
 Ground pressure : 0,17 N/mm²

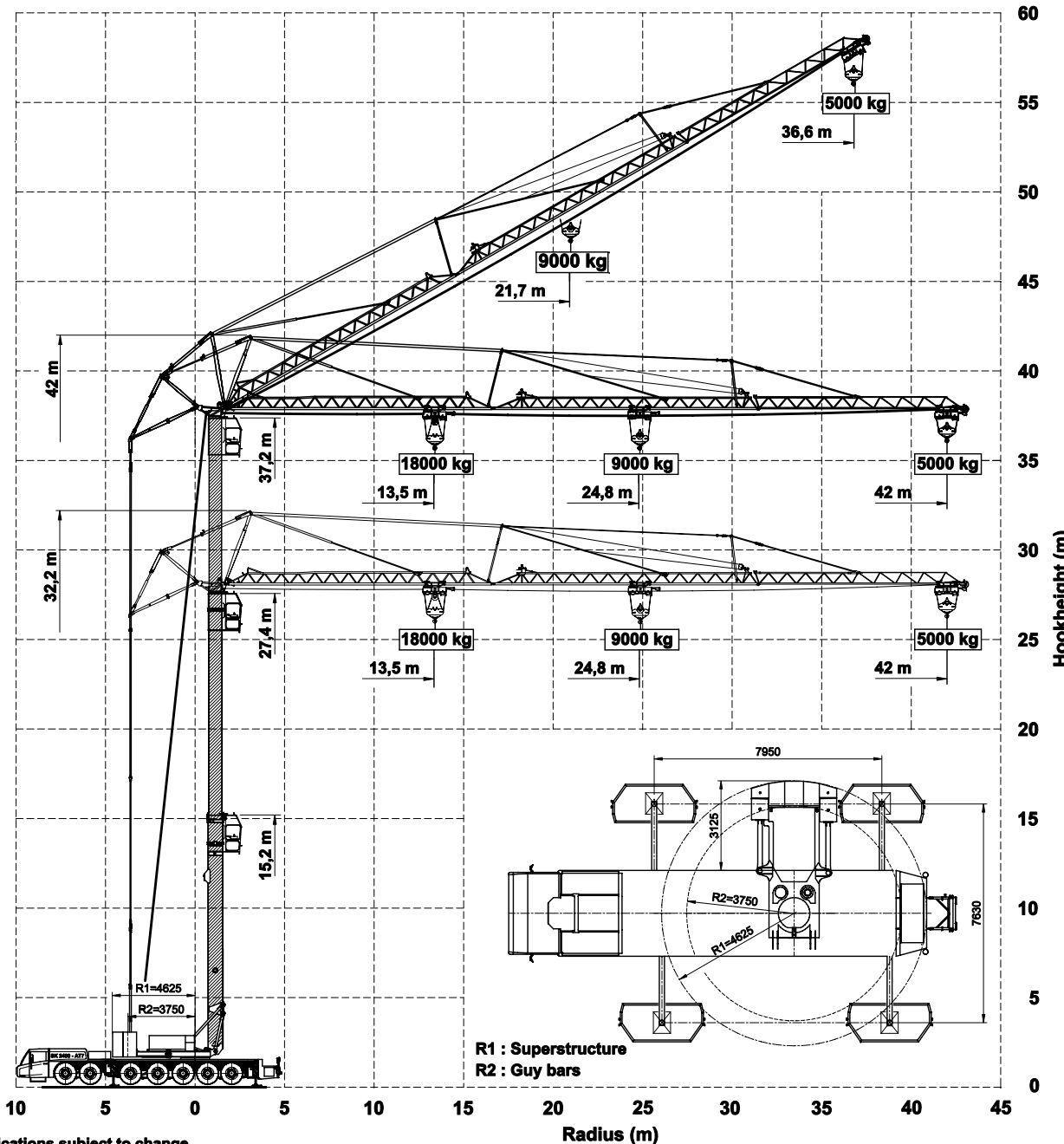

SPIERINGS
MOBILE CRANES

Merwedestraat 15
 5347 KZ Oss NL
 Tel. +31 (0)412-626964
 Fax +31 (0)412-645299
www.spieringscranes.com

SPIERINGS HYDRAULIC FOLDING CRANE SK2400-AT7

Hoisting Specifications

Outrigger support base: 7,95 m x 7,63 m



SPIERINGS
MOBILE CRANES

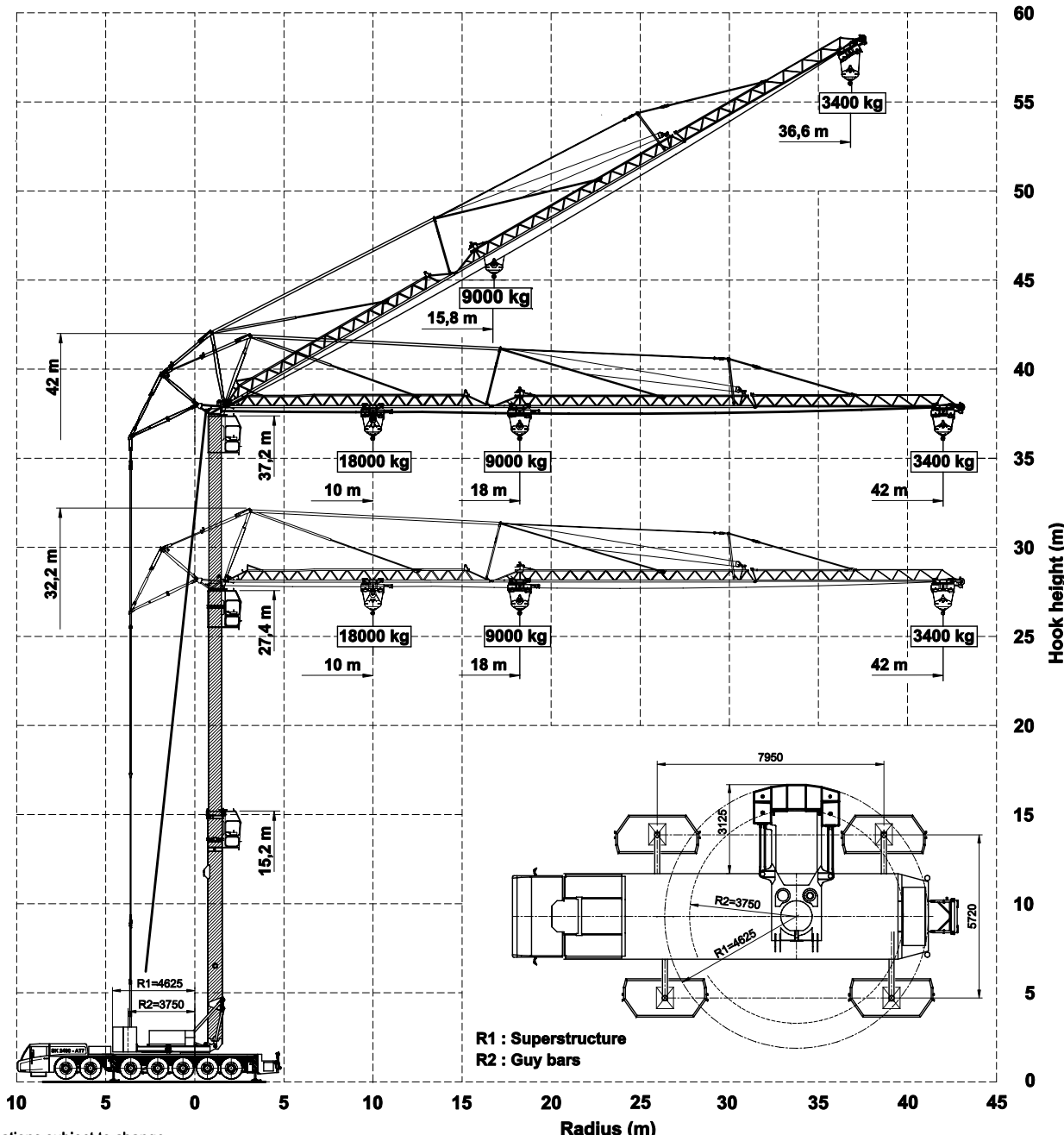
Merwedestraat 15
5347 KZ Oss NL
Tel. +31 (0)412-626964
Fax +31 (0)412-645299
www.spieringscranes.com

141-00240104A

SPIERINGS HYDRAULIC FOLDING CRANE SK2400-AT7

Hoisting Specifications

Outrigger support base: 7,95 m x 5,72 m



R1 : Superstructure
R2 : Guy bars

SPIERINGS
MOBILE CRANES

Merwedestraat 15
5347 KZ Oss NL
Tel. +31 (0)412-626964
Fax +31 (0)412-645299
www.spieringscranes.com

141-00240105A

**SPIERINGS**

MOBILE CRANES

Make: **SPIERINGS**Type: **SK2400-AT7****LM2****Crane specification (Jib length 42 m)**

Strength / stability : as per EN 13001

Stability : as per ISO 4305

Classification : as per ISO 4301-2.A4

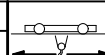
Max. load

18,0 tonMax. radius
with max. load**14,6 m**

Max. capacity

263 tmMax.
jib length**42 m**Serial Number Year of construction **Max. speed** Jib horizontal / 30° luffed

m/min	kg
3,3	18000
6,6	9000
10	4500
16	2250
23	0



0 - 23 m/min



0-0,3 r/min

Hoist and trolley movements are not possible at the same time.
Reduced crane speeds (1/3 nominal).
All motions with hydraulic proportional controls.

Luffing the jib 30° can be controlled from crane cab or by remote control.

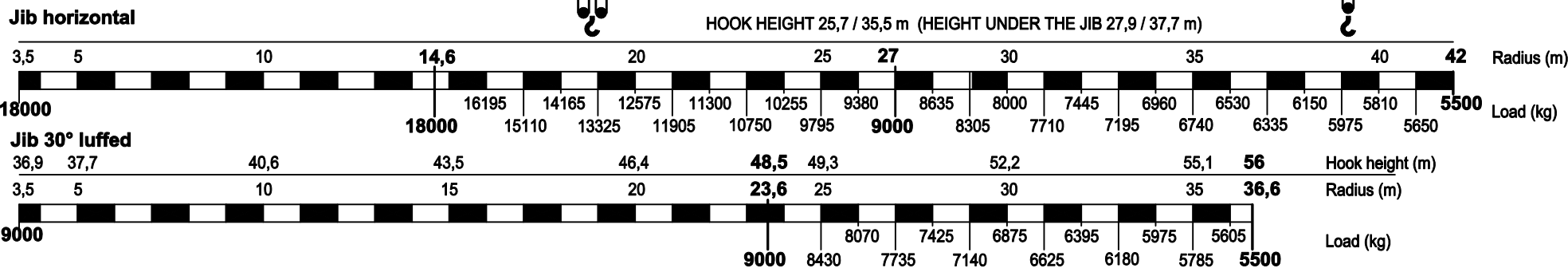
Counterweight Crane: 23000 kg.
Continuous slewing of the crane (360°) with the outriggers out and support pads down.
Crane can be driven in its erected position under special conditions (refer user guide).
The crane should be folded in at wind force 10 (Bf) (24 m/sec) or when not in use for a longer period.

Rated lifting capacity is net capacity.
Max. line pull force : 4500 kg.
2 parts of line : 9000 kg.
4 parts of line : 18000 kg.
Sail area of the load max.: 1,0 m²/ ton.
Operating temperature range from:
-15°C till +40°C.

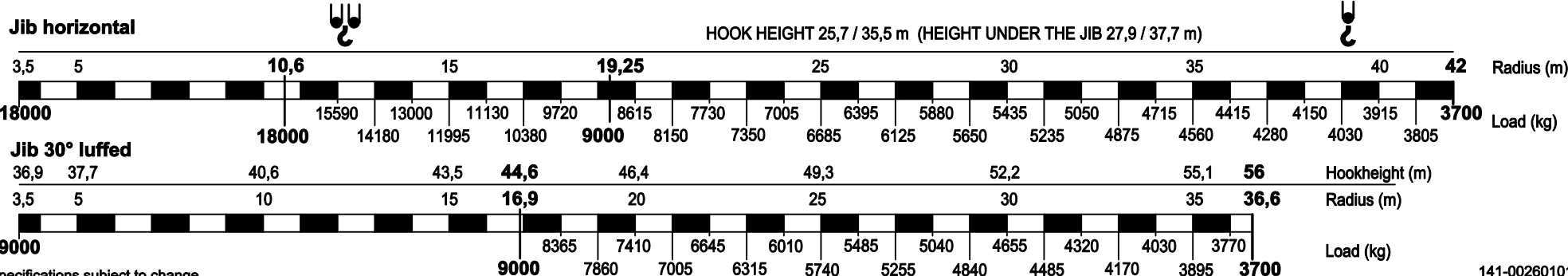
Outriggers positioned according to lifting chart
Outrigger support base : 7,95 x 7,63 m.
Operation allowed up to wind force 7 Bf (14 m/s)
Outrigger support base : 7,95 x 5,72 m.
Operation allowed up to wind force 7 Bf (14 m/s)
Max. outrigger force: 615 kN.

LIFTING CHART**Outrigger support base 7,95 m x 7,63 m**

up to wind force 7 on the Beaufort scale (14 m/sec)

**LIFTING CHART****Outrigger support base 7,95 m x 5,72 m**

up to wind force 7 on the Beaufort scale (14 m/sec)

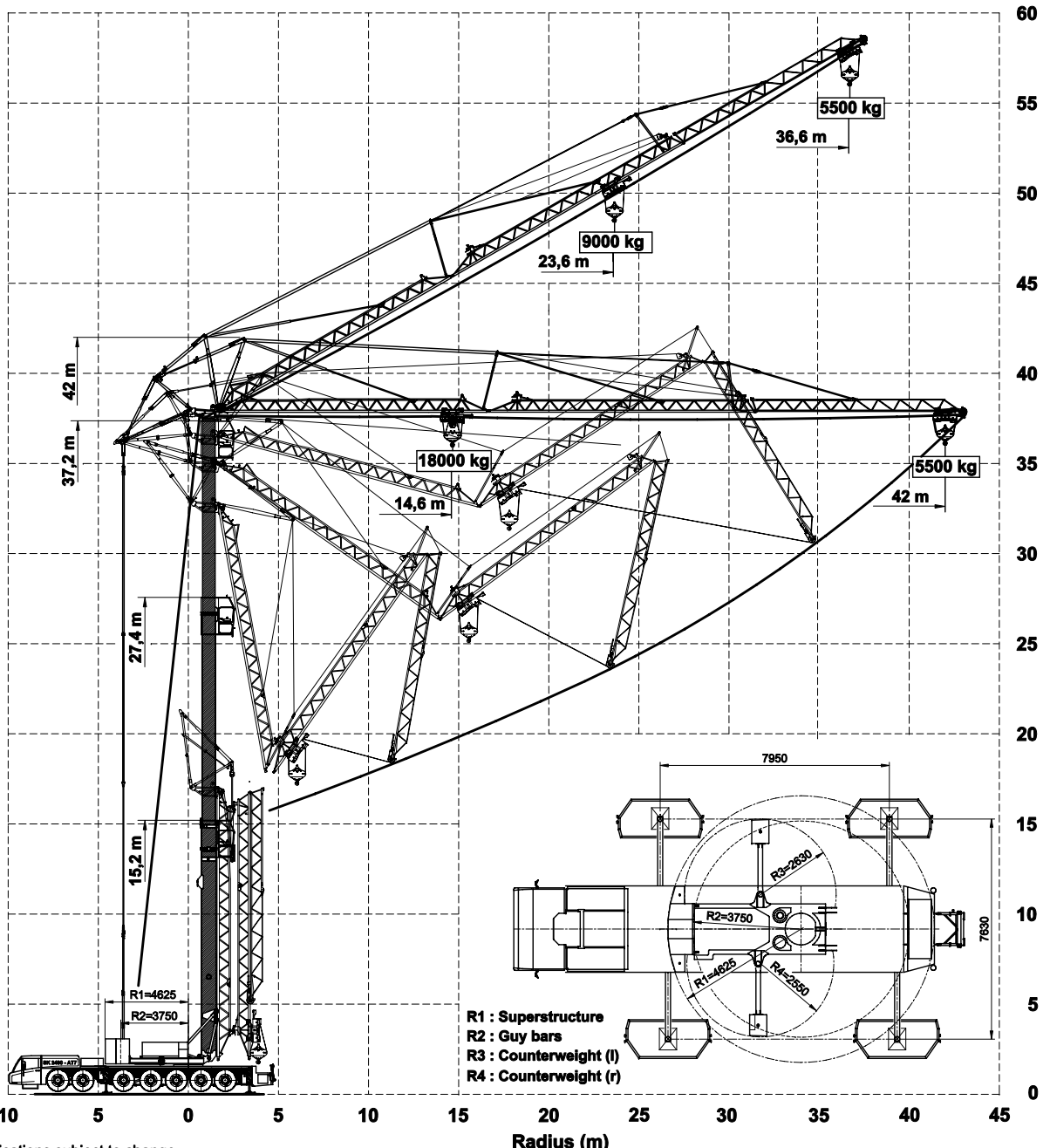


SPIERINGS HYDRAULIC FOLDING CRANE SK2400-AT7

Hoist and trolley movements aren't possible at the same time
Reduced crane speeds (1/3 nominal)

Erection procedure of the crane

- Max. outrigger force : 615 kN
- Outrigger support pads : 750x600 mm
- Ground pressure : 1,37 N/mm²
- Jib can be unfolded through 360°
- Luffing the jib 30° can be controlled from the crane cab or remote control
- Outrigger support plates : 3000x1340 mm
- surface : 3,585 m²
- Ground pressure : 0,17 N/mm²



60
55
50
45
40
35
30
25
20
15
10
5
0

10 5 0 5 10 15 20 25 30 35 40 45

Specifications subject to change

Radius (m)



Merwedestraat 15
5347 KZ Oss NL
Tel. +31 (0)412-626964
Fax +31 (0)412-645299
www.spieringscranes.com

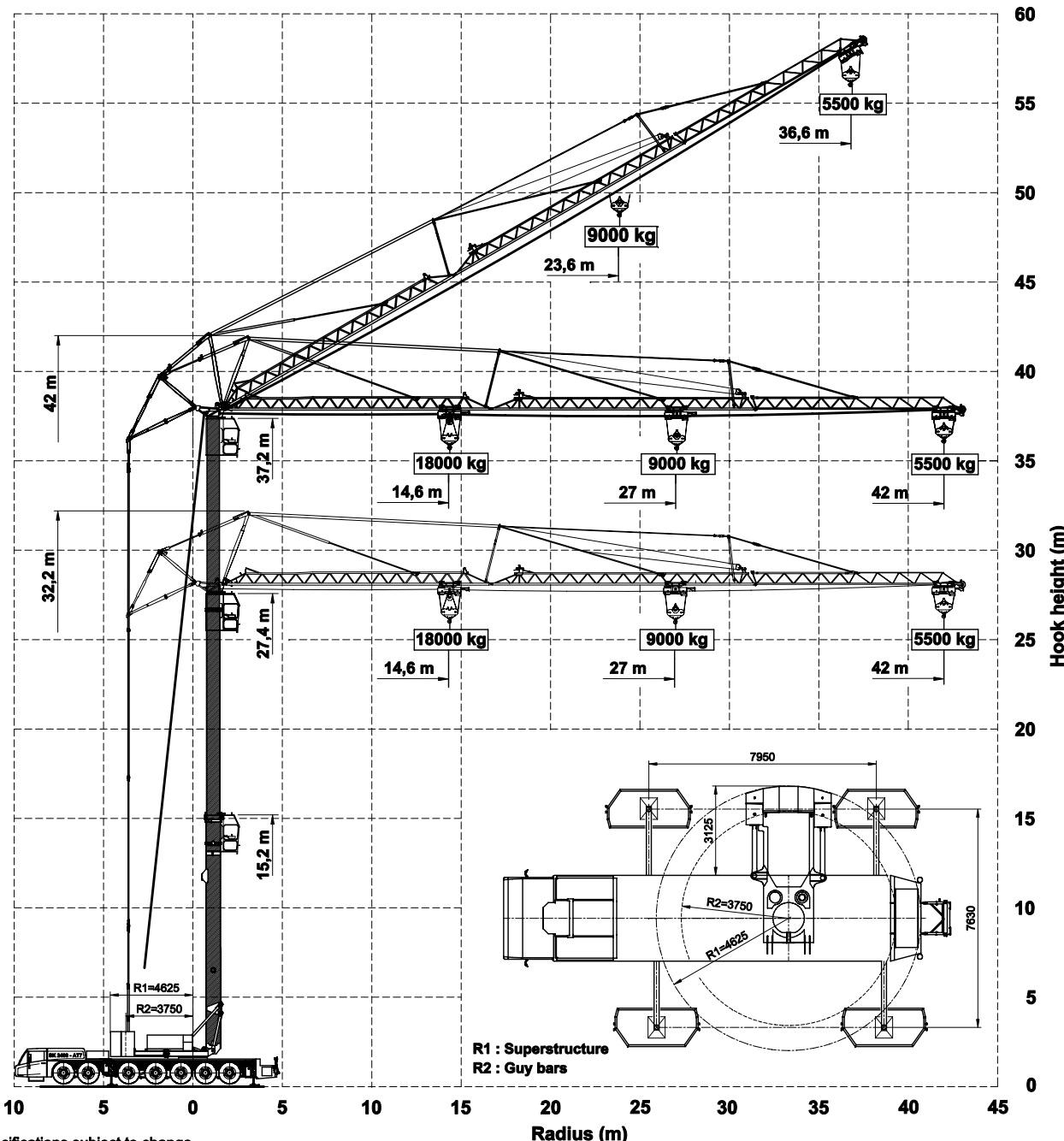
141-00260103A

SPIERINGS HYDRAULIC FOLDING CRANE SK2400-AT7

Lifting specifications

Outrigger support base: 7,95 m x 7,63 m

Hoist and trolley movements are not possible at the same time
Reduced crane speeds (1/3 nominal)



SPIERINGS
MOBILE CRANES

Merwedestraat 15
5347 KZ Oss NL
Tel. +31 (0)412-626964
Fax +31 (0)412-645299
www.spieringscranes.com

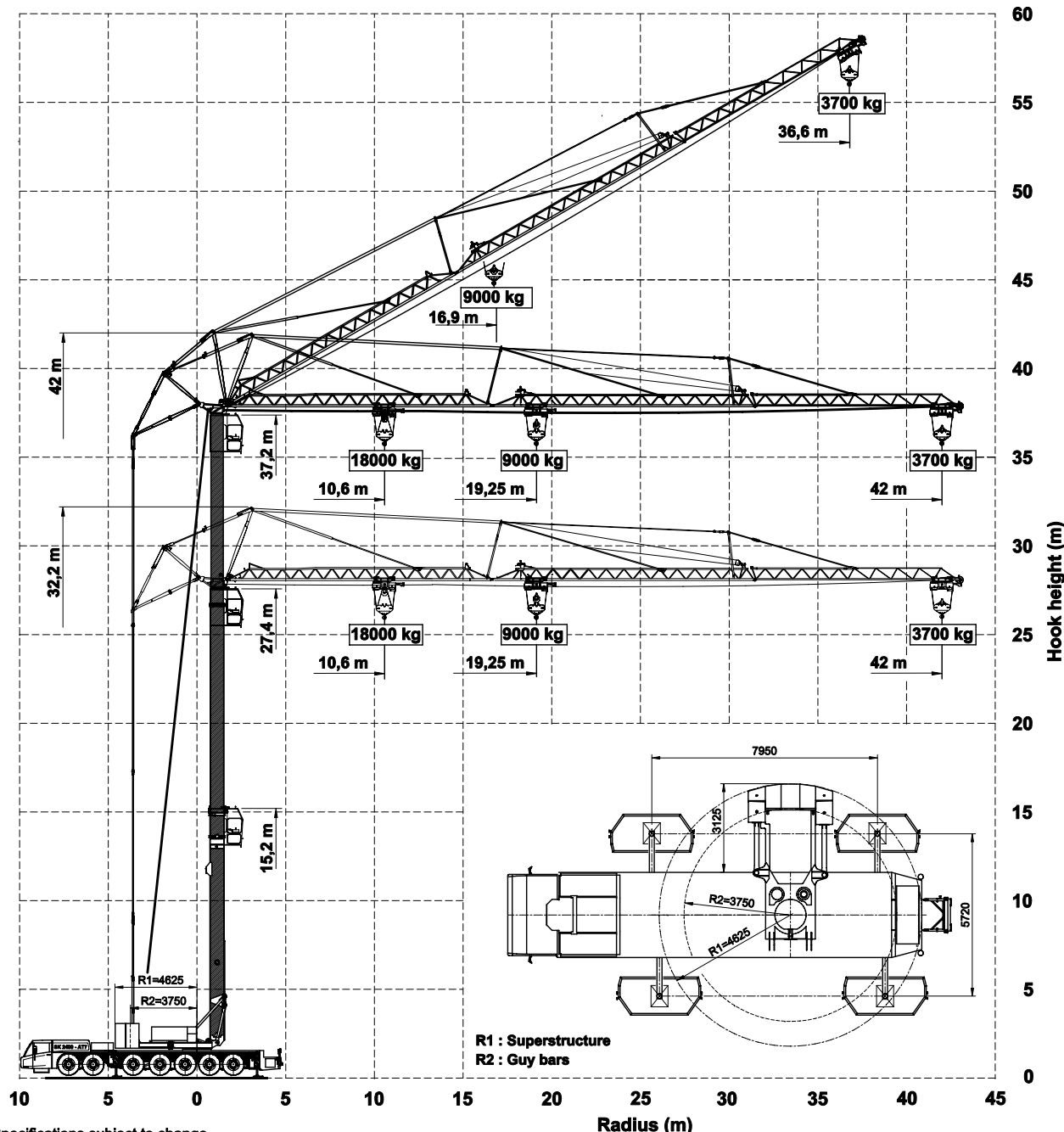
141-00260104A

SPIERINGS HYDRAULIC FOLDING CRANE SK2400-AT7

Lifting specifications

Outrigger support base: 7,95 m x 5,72 m

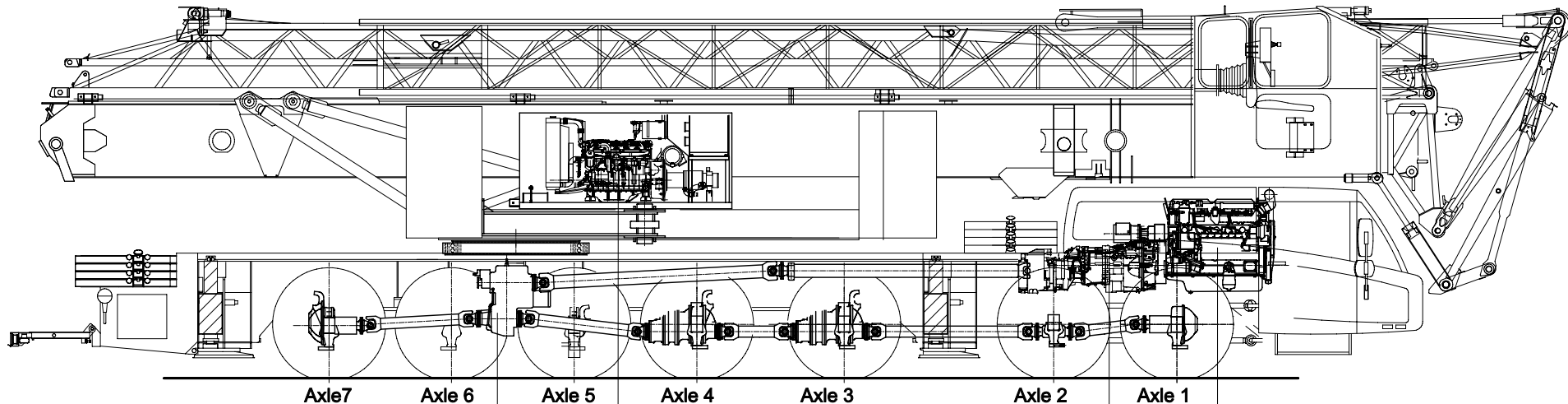
Hoist and trolley movements are not possible at the same time
Reduced crane speeds (1/3 nominal)



R1 : Superstructure
R2 : Guy bars



Merwedestraat 15
5347 KZ Oss NL
Tel. +31 (0)412-626964
Fax +31 (0)412-645299
www.spieringscranes.com



Transferbox
STEYR VG2701 / 400
 Road gear $i=0,91$
 Off road gear $i=1,41$

Superstructure
 John Deere 4045HF475
 Power: 129 kW (2200 tpm)
 Torque: 700 Nm (1400 tpm)

Gearbox:
ZF 12TC2740
 Automatic
 torque converter
 + retarder

Carrier Diesel Engine:
 Euro IV
 DAF: **MX 375 S1 (12,9 ltr)**
 Power: 375 kW (1900 tpm)
 Torque: 2350 Nm (1450 tpm)

- Axle 1 : Steer axle, driven (end reduction $i=7.33$)
- Axle 2 : Steer axle
- Axle 3 : Steer axle, driven (end reduction $i=7.29$)
- Axle 4 : Steer axle, driven (end reduction $i=7.29$)
- Axle 5 : Steer axle
- Axle 6 : Steer axle
- Axle 7 : Steer axle, driven (end reduction $i=7.29$)

Tyres : 445/75 R22,5
 Suspension: hydro-pneumatic on all axles, stroke cyl. : 247 mm
 Max. speed carrier (limited) : 83 km/h
 Min. speed carrier (engine at 1000 rpm) : 1,6 km/h
 Overall weight : 84.000 kg

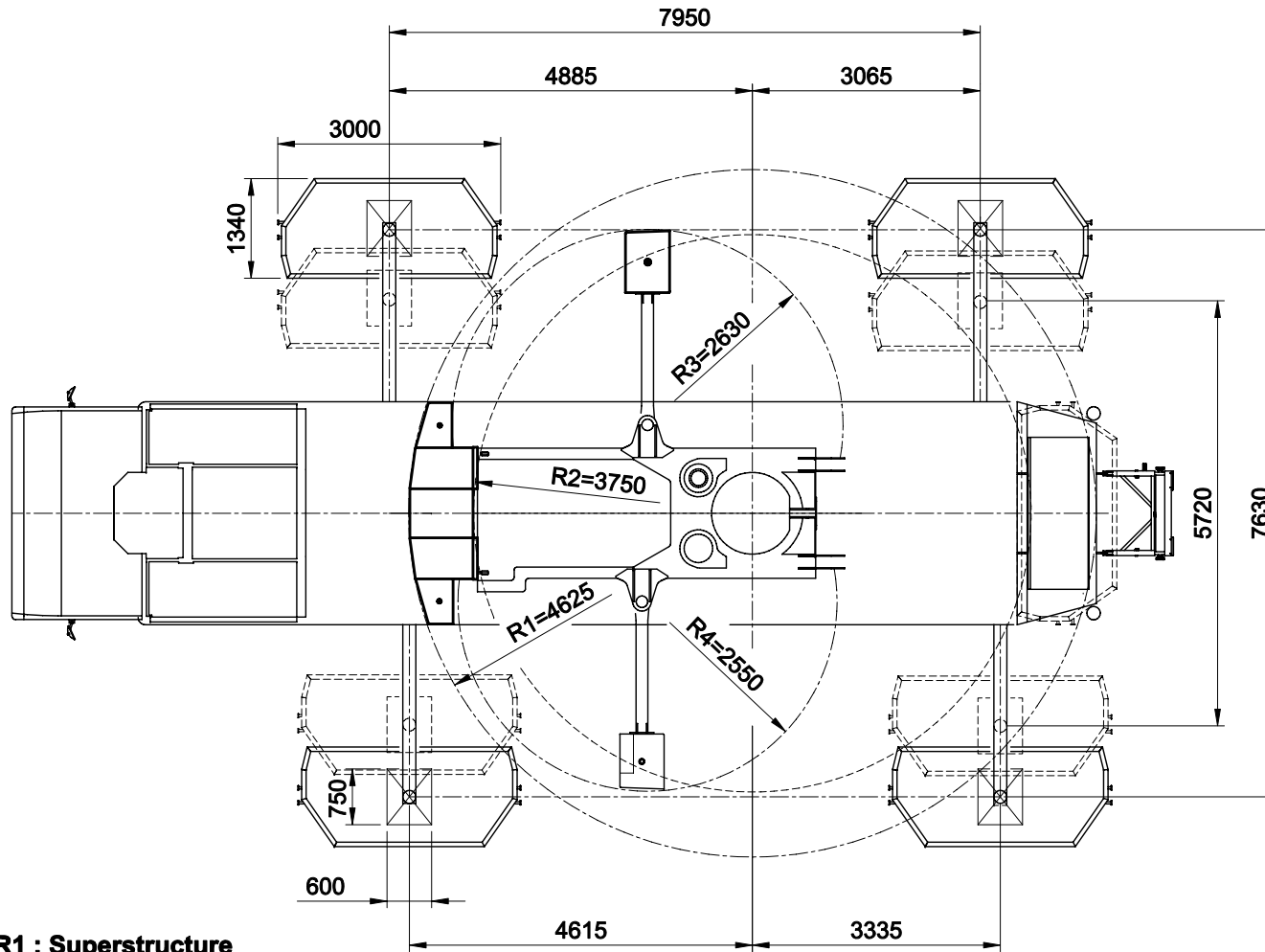
DRIVE TRAIN SPIERINGS FOLDING CRANE

SK 2400-AT7

SPIERINGS
 MOBILE CRANES

Merwedestraat 15
 5347 KZ Oss NL
 Tel. +31 (0)412-626964
 Fax +31 (0)412-645299
www.spieringscranes.com

SPIERINGS HYDRAULIC FOLDING CRANE SK2400-AT7



- R1 : Superstructure**
- R2 : Guy bars**
- R3 : Counterweight (l)**
- R4 : Counterweight (r)**

Outrigger support base	
Max. outrigger force	615 kN
Outrigger support pads	750x600 mm
Ground pressure	1,37 N/mm²
Outrigger support plates	3000x1340 mm
Surface	3,585 m²
Ground pressure	0,17 N/mm²

SPIERINGS
MOBILE CRANES

Merwedestraat 15
5347 KZ Oss NL
Tel. +31 (0)412-626964
Fax +31 (0)412-645299
www.spieringscranes.com