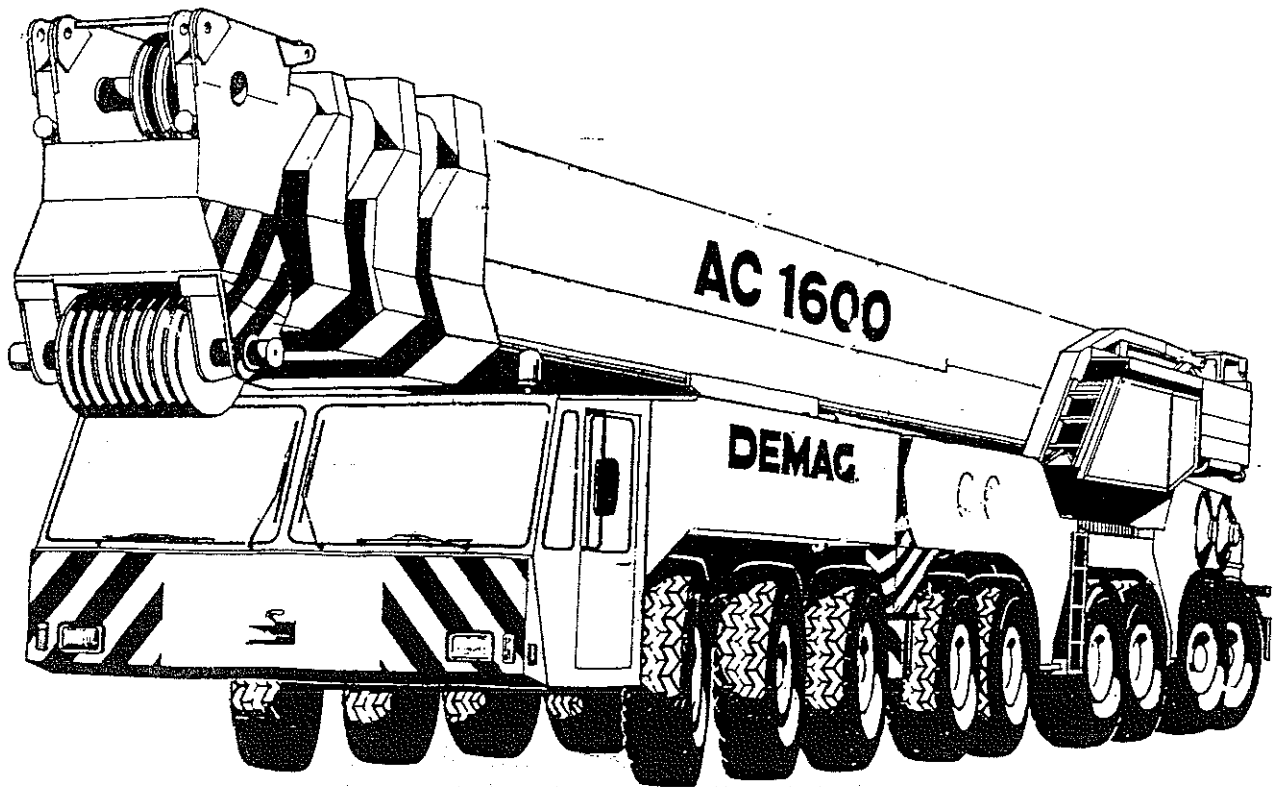
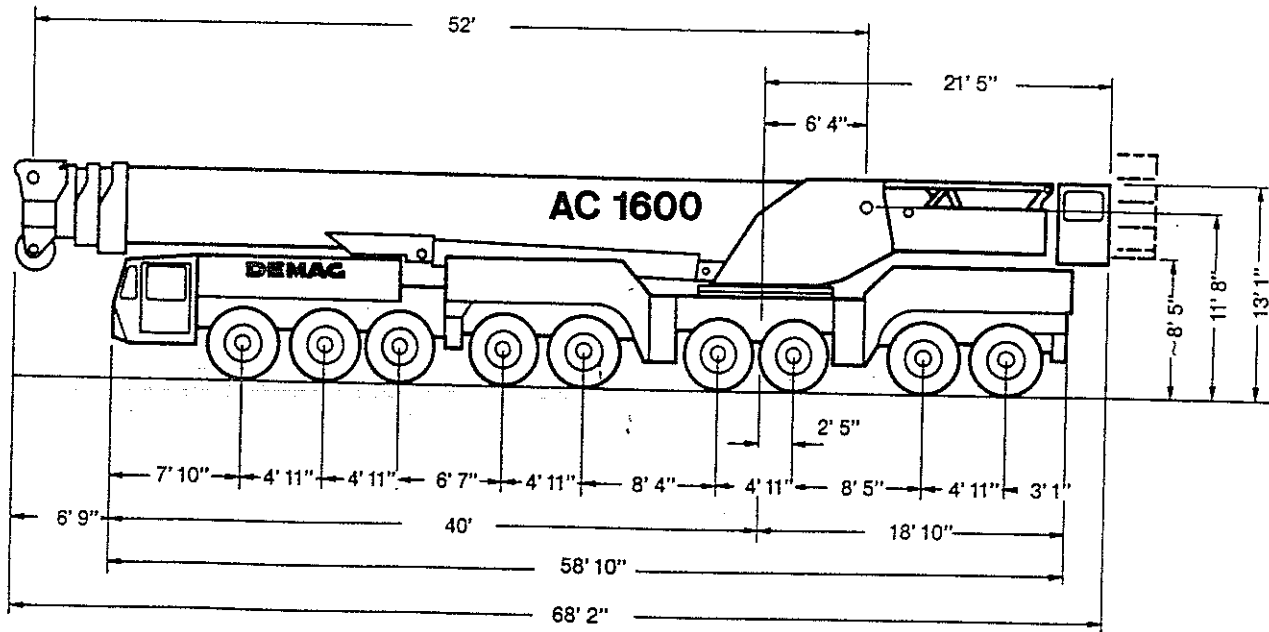


**MANNESMANN
DEMAG**

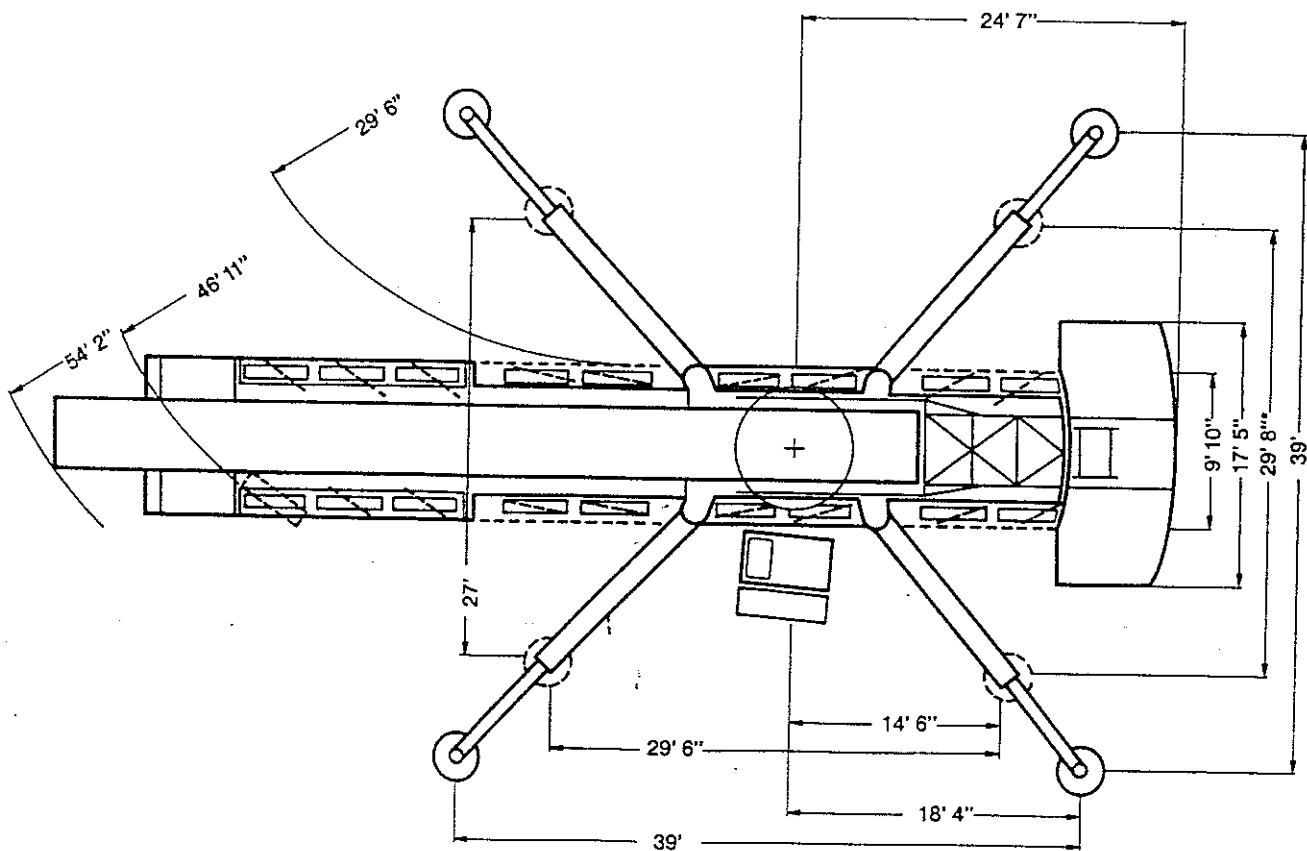
Demag AC 1600



Dimensions



Dimensions



*) Duties with reduced outrigger base upon request

Specifications

Axle Loads and Weights

Crane with Main Boom, Outriggers and Hook Block	
Axles	9 x 26,500 lb
Total Weight	238,000 lb

Working Speeds (infinitely variable)

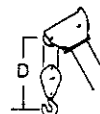
Units	Line Speed	Rope Pull, Single Line	Length of Hoist Rope
Main Hoist	max. 426 ft/min	27,000 lb	1,476 ft
Secondary Hoist	max. 426 ft/min	27,000 lb	1,804 ft
Swing			max. 1.0 rpm
Telescoping speed			52 ft - 164 ft: 180 s
Boom elevation			-2° - +82°: 120 s

Carrier Performance

Travel speeds	0..40 mph
---------------	-----------

Hook-Block/Crane Hook

Type	Capacity	Number of Sheaves	Number of Lines	Weight	"D"
500 ¹⁾	1,102,000 lb	2 x 13	2 x 21	19,000 lb	-
320	688,000 lb	13	26	8,000 lb	10'
200	397,000 lb	7	15	6,000 lb	10'
100	185,000 lb	3	7	4,000 lb	10'
40	79,000 lb	1	3	2,600 lb	9'
12.5	26,000 lb	Crane Hook	1	2,200 lb	7'



¹⁾ with heavy-duty attachment

Notes on Capacity Charts

1.0 Duty Charts:

Configuration	Notes	Counterweight [lb]	No. of Identity	Page
Main Boom		309,000 216,000 126,000 82,000 0	629 610 40	1-5
Main Boom with Superlift		309,000 216,000	629 609 40	1+2
Main Boom	red. Outrigger Base	216,000 0	629 611 40	1+2
Fixed Jib	Pos. 0°	216,000 126,000	398 768 40	1+2
Fixed Jib	Pos. 20°	216,000 126,000	398 769 40	1+2
Fixed Jib Main Boom 148.0 ft	Pos. 20°	216,000 126,000	398 770 40	1
Fixed Jib Main Boom 132.0 ft	Pos. 20°	216,000 126,000	398 770 40	2
Fixed Jib with Superlift	Pos. 0°	309,000 216,000	398 765 40	1+2
Fixed Jib with Superlift	Pos. 20°	216,000	398 766 40	
Fixed Jib with Superlift Main Boom 148.0 ft	Pos. 20°	309,000 216,000	398 767 40	
Fixed Jib	Pos. 0° red. Outrigger Base	216,000	398 771 40	
Fixed Jib	Pos. 20° red. Outrigger Base	216,000	398 785 40	
Luffing Fly Jib	Main Boom Pos. 82°	216,000	398 773 40	1-7
Luffing Fly Jib	Main Boom Pos. 82° red. Outrigger Base	216,000	398 775 40	1-5
Luffing Fly Jib	Main Boom Pos. 70°	216,000	398 774 40	1-7
Luffing Fly Jib with Superlift	Main Boom Pos. 70°	309,000	502 733 40	2-5

Notes on Capacity Charts

2.0 In case of operation observe the following instructions:

- ☞ The crane shall be supported in level position.
- ☞ The supporting surface shall be sufficiently firm (max. outrigger load: 397,000 lb)
- ☞ Slewing is only permitted with outriggers extended.
- ☞ The operational safety of the building material is designed for a surrounding temperature of -20° to +40°. However, you shall observe the instructions concerning the corresponding viscosities of the lubricants in the lubrication and maintenance manual.

3.0 Weights of hook blocks

Weights of hook blocks and lifting tackles shall be subtracted from the listed ratings

Weights:	hook block	2 x 13 sheaves	= 17,640 lb
	hook block	13 sheaves	= 7,938 lb
	hook block	7 sheaves	= 5,733 lb
	hook block	3 sheaves	= 3,969 lb
	hook block	1 sheave	= 2,646 lb
	hook suspension	12.5 t	= 1,433 lb

Max. single line pull

Hoist I: 26,900 lb

Hoist II: 26,900 lb

For operating mode description of runner, shift rope reeving switch to 1, max. load 26,900 lb
All duty charts are valid for pinned telescopes.

4.0 Permissible Sequence (%) of Extending the Telescopes

Boom Length [ft]	Tele 1	Tele 2	Tele 3
52.0	0	0	0
68.0	43	0	0
84.0	43	43	0
100.0	43	43	43
116.0	86	43	43
132.0	86	86	43
148.0	86	86	86
164.0	100	100	100

Notes on Capacity Charts

5.0. Wind speeds - dynamic wind pressures

5.1 Crane in wind, with load

For the wind speeds of 22.36 mph (dynamic wind pressure 1.2528 psf) taken into account in the duty charts, the wind area of the load is taken as 5.856×10^{-3} sqft/lb.

With the exception of jib, wind speeds up to 33.53 mph (dynamic wind pressure 3.132 psf) will be permitted if the wind area of the load or the capacity is reduced according to the ratings above mentioned.

for example: load 44100 lb
 wind area of the load with 1.2528 psf = 258 sqft
 wind area of the load with 3.132 psf = 103 sqft

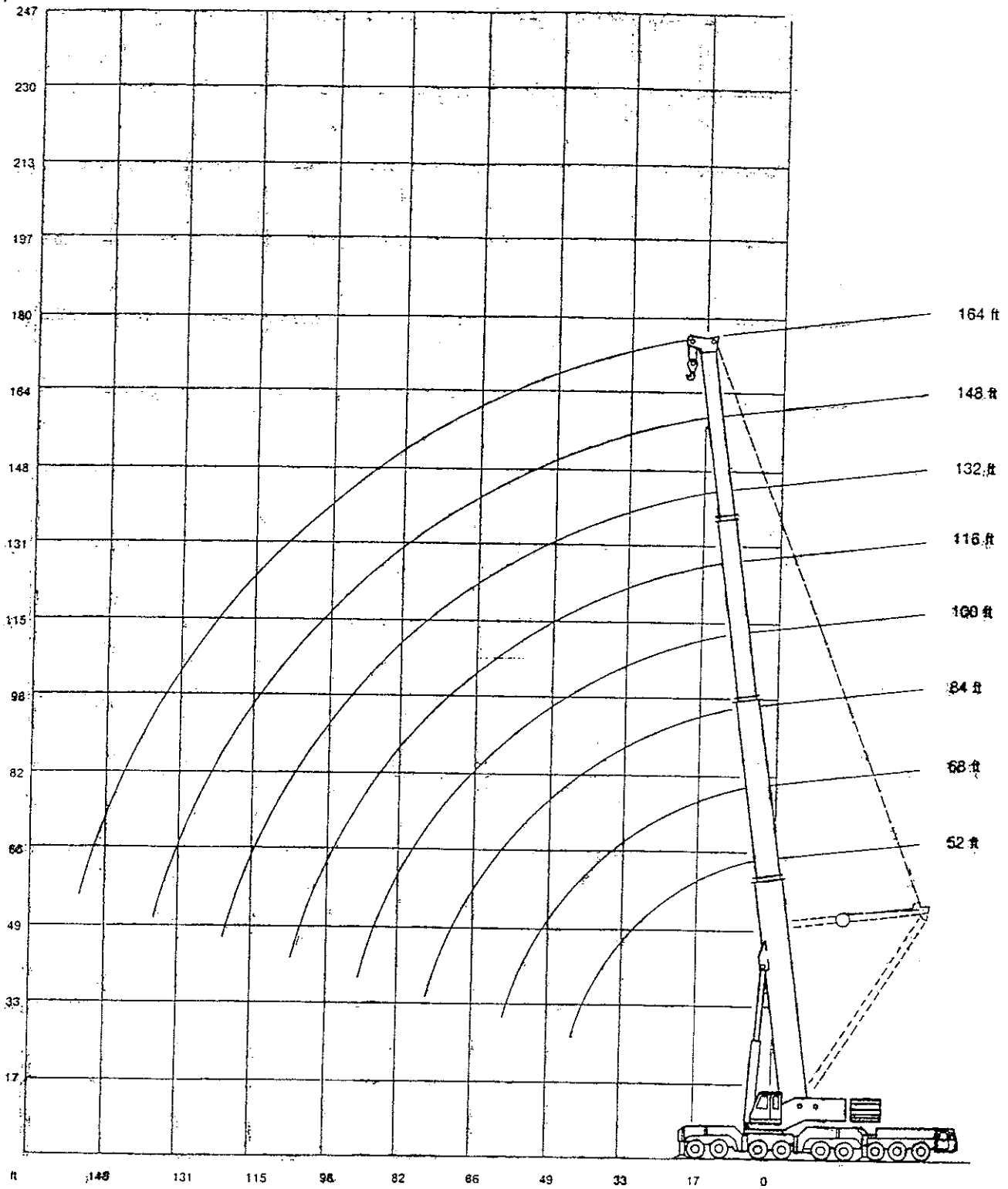
5.2 Crane in wind, without load
 see operation manual

6.0 Loads to be deducted from the rated listings

6.1 Fixed Jib

*Loads (lb) to be deducted from the rated listings of main boom in case of fixed jib fitted in working position (including hook block 1 sheave)
 load on main boom*

Boom Length [ft]	Jib 26.2 ft		Jib 65.6 ft		Jib 105.0 ft	
	0°	20°	0°	20°	0°	20°
52.0	17,287	27,099	29,768	60,197	48,510	109,441
68.0	16,736	23,792	26,725	49,965	42,358	89,200
84.0	15,700	21,741	24,850	43,637	38,587	76,491
100.0	15,280	20,374	23,593	39,359	36,007	67,847
116.0	14,994	19,360	22,667	36,250	34,177	61,585
132.0	14,773	18,610	21,961	33,912	32,744	56,845
148.0	14,597	18,014	21,410	32,060	31,642	53,140
164.0	14,443	17,552	20,992	30,605	30,782	50,208



AC 1600 Capacities on Main Boom
Telescopes pinned

85%

Capacity (lb x 1000) = Load * Hook Block

360°

Radius (ft)	Main Boom (ft)					Counterweight 309 000 lb Outrigger Base 39 x 39 ft
	52.0*	52.0	68.0	84.0	100.0	
10	1086.0 ¹⁾²⁾	737.0 ²⁾	-	-	-	-
11	987.0 ¹⁾²⁾	733.0 ²⁾	661.0 ²⁾	-	-	-
13	831.0 ²⁾	689.0 ²⁾	661.0 ²⁾	-	-	-
15	742.0 ²⁾	640.0 ²⁾	638.0 ²⁾	595.0 ²⁾	-	-
16	703.0 ²⁾	617.0	617.0 ²⁾	595.0 ²⁾	440.0 ²⁾	-
19	607.0	557.0	556.0 ³⁾	555.0 ²⁾	440.0 ²⁾	-
23	504.0	493.0	488.0	493.0 ²⁾	438.0 ²⁾	-
26	453.0	453.0	450.0	453.0 ³⁾	420.0 ²⁾	-
29	418.0	418.0	416.0	420.0 ³⁾	402.0 ³⁾	-
33	377.0	377.0	375.0	377.0	377.0 ³⁾	-
39	329.0	329.0	329.0	331.0	335.0 ³⁾	-
46	-	-	286.0	288.0	290.0	-
52	-	-	243.0	256.0	260.0	-
59	-	-	175.0	222.0	227.0	-
65	-	-	-	194.5	204.0	-
72	-	-	-	152.5	182.0	-
79	-	-	-	-	158.0	-
85	-	-	-	-	133.0	-

No. of Hoist Lines

	2) 2x21 26	2) 2x15 26	2) 2x14 3) 24/20	2) 2x12 3) 20/16	2) 2x9 3) 16/13
Sequence of Extended Boom (%)					
1.Tel.	0	0	43	43	43
2.Tel.	0	0	0	43	43
3.Tel.	0	0	0	0	43
DS	011	001	001	001	001

DS = operating mode switch on PAT-console

* with add. outrigger (special equipment)

1) over rear / to side

2) with special equipment and double hook block

3) hoist rope reeved over hoist II

AC 1600 Capacities on Main Boom
Telescopes pinned

85*

360°

Capacity (lb x 1000) = Load + Hook Block

Radius (ft) Main Boom (ft) Counterweight 216 000 lb
Outrigger Base 39 x 39 ft

Radius (ft)	52.0	68.0	84.0	100.0	116.0	132.0	148.0	164.0
10	726.0 ¹⁾	-	-	-	-	-	-	-
11	722.0 ¹⁾	661.0 ¹⁾	-	-	-	-	-	-
13	678.0 ¹⁾	661.0 ¹⁾	-	-	-	-	-	-
15	629.0 ¹⁾	625.0 ¹⁾	595.0 ¹⁾	-	-	-	-	-
16	608.0	603.0 ¹⁾	595.0 ¹⁾	440.0 ¹⁾	-	-	-	-
19	550.0	548.0 ²⁾	549.0 ¹⁾	440.0 ¹⁾	363.0 ²⁾	-	-	-
23	486.0	484.0	484.0 ²⁾	438.0 ¹⁾	363.0 ²⁾	297.0 ²⁾	-	-
26	446.0	444.0	446.0 ²⁾	420.0 ¹⁾	339.0 ²⁾	293.0 ²⁾	231.0 ²⁾	-
29	413.0	411.0	411.0 ²⁾	402.0 ²⁾	313.0 ²⁾	274.0 ²⁾	231.0 ²⁾	198.0 ²⁾
33	375.0	373.0	373.0	375.0 ²⁾	283.0 ²⁾	252.0	219.0 ²⁾	197.5 ²⁾
39	324.0	320.0	322.0	324.0	249.0	220.0	198.5	181.5
46	-	268.0	268.0	270.0	213.0	192.5	178.5	162.0
52	-	236.0	236.0	238.0	190.0	173.0	159.0	146.5
59	-	175.0	206.0	208.0	169.0	152.5	143.5	131.5
65	-	-	182.5	186.5	154.0	140.0	130.5	121.0
72	-	-	152.0	159.0	134.5	124.5	120.0	108.5
79	-	-	-	137.0	121.5	112.5	110.0	98.0
85	-	-	-	122.0	111.0	103.5	101.5	92.0
92	-	-	-	-	101.0	94.0	93.5	84.5
98	-	-	-	-	94.5	89.5	87.5	78.0
105	-	-	-	-	84.5	82.0	80.0	72.5
111	-	-	-	-	-	75.5	75.5	68.5
118	-	-	-	-	-	70.0	68.0	63.5
124	-	-	-	-	-	-	63.5	59.3
131	-	-	-	-	-	-	59.0	54.1
138	-	-	-	-	-	-	-	51.6
144	-	-	-	-	-	-	-	47.2
151	-	-	-	-	-	-	-	42.2

No. of Hoist Lines

1) 2x15	1) 2x14	1) 2x12	1) 2x9	2) 15/11	2) 12/10	2) 9/8	2) 8/7
26	2) 24/20	2) 20/16	2) 16/13				

Sequence of Extended Boom (%)

1.Tel.	0	43	43	43	86	86	86	100
2.Tel.	0	0	43	43	43	86	86	100
3.Tel.	0	0	0	43	43	43	86	100

DS

003

DS = operating mode switch on PAT-console

1) with special equipment and double hook block

2) hoist rope reeved over hoist II

Unpinned capacities: according above chart, but max. 88 200 lb

AC 1600 Capacities on Main Boom
Telescopes pinned

85%

Capacity (lb x 1000) = Load + Hook Block

360°

Counterweight 126 000 lb
Outrigger Base 39 x 39 ft

Radius (ft)	Main Boom (ft)							
	52.0	68.0	84.0	100.0	116.0	132.0	148.0	164.0
10	705.0 ¹⁾	-	-	-	-	-	-	-
11	702.0 ¹⁾	639.0 ¹⁾	-	-	-	-	-	-
13	658.0 ¹⁾	639.0 ¹⁾	-	-	-	-	-	-
15	610.0	610.0 ¹⁾	573.0 ¹⁾	-	-	-	-	-
16	590.0	588.0 ¹⁾	573.0 ¹⁾	440.0 ¹⁾	-	-	-	-
19	534.0	532.0 ²⁾	531.0 ¹⁾	440.0 ¹⁾	363.0 ²⁾	-	-	-
23	471.0	469.0	471.0 ²⁾	438.0 ¹⁾	363.0 ²⁾	297.0 ²⁾	-	-
26	435.0	432.0	435.0 ²⁾	420.0 ¹⁾	339.0 ²⁾	293.0 ²⁾	231.0 ²⁾	-
29	395.0	391.0	395.0	394.0 ²⁾	313.0 ²⁾	274.0 ²⁾	231.0 ²⁾	198.0 ²⁾
33	346.0	342.0	344.0	346.0 ²⁾	283.0 ²⁾	252.0	219.0 ²⁾	197.5 ²⁾
39	292.0	287.0	289.0	292.0	249.0	220.0	198.5	181.5
46	-	224.0	228.0	233.0	213.0	192.5	178.5	162.0
52	-	180.0	182.5	187.0	183.0	173.0	159.0	146.5
59	-	142.5	144.0	149.0	146.0	147.0	143.5	131.5
65	-	-	120.0	124.5	121.5	122.5	125.5	121.0
72	-	-	99.0	103.0	100.0	101.5	104.0	104.5
79	-	-	-	87.0	84.0	85.0	88.0	88.5
85	-	-	-	76.5	73.0	74.0	77.0	77.5
92	-	-	-	-	63.0	63.5	66.0	66.5
98	-	-	-	-	55.8	56.2	58.9	59.3
105	-	-	-	-	48.4	48.7	51.5	51.8
111	-	-	-	-	-	43.0	45.7	45.9
118	-	-	-	-	-	37.7	39.9	40.0
124	-	-	-	-	-	-	35.7	35.9
131	-	-	-	-	-	-	31.6	31.4
138	-	-	-	-	-	-	-	27.6
144	-	-	-	-	-	-	-	24.6
151	-	-	-	-	-	-	-	21.7

No. of Hoist Lines

1) 2x14	1) 2x13	1) 2x12	1) 2x9	2) 15/11	2) 12/10	2) 9/8	2) 8/7
26	2) 24/20	2) 20/16	2) 16/13				

Sequence of Extended Boom (%)

1.Tel.	0	43	43	43	86	86	86	100
2.Tel.	0	0	43	43	43	86	86	100
3.Tel.	0	0	0	43	43	43	86	100

DS

005

DS = operating mode switch on PAT-console

1) with special equipment and double hook block

2) hoist rope reeved over hoist II

Unpinned capacities: according above chart, but max. 88 200 lb

AC 1600 Capacities on Main Boom
Telescopes pinned

85%

360°

Capacity (lb x 1000) = Load + Hook Block

Counterweight 82 000 lb
Outrigger Base 39 x 39 ft

Radius (ft)	Main Boom (ft)							
	52.0	68.0	84.0	100.0	116.0	132.0	148.0	164.0
10	659.0 ¹⁾	-	-	-	-	-	-	-
11	648.0 ¹⁾	553.0 ²⁾	-	-	-	-	-	-
13	596.0	545.0 ²⁾	-	-	-	-	-	-
15	541.0	511.0 ²⁾	440.0 ²⁾	-	-	-	-	-
16	516.0	490.0	440.0 ²⁾	375.0 ²⁾	-	-	-	-
19	454.0	435.0	407.0	369.0 ²⁾	287.0 ²⁾	-	-	-
23	389.0	374.0	359.0	334.0 ²⁾	281.0	242.0	-	-
26	349.0	336.0	328.0	308.0	259.0	238.0	198.0	-
29	307.0	301.0	296.0	286.0	241.0	225.0	197.5	176.0
33	265.0	260.0	256.0	256.0	219.0	206.0	185.0	175.5
39	210.0	210.0	203.0	208.0	189.5	178.0	165.5	154.0
46	-	159.0	152.0	160.5	157.0	150.0	143.0	131.0
52	-	120.5	122.0	127.0	131.5	128.5	125.5	118.5
59	-	96.5	98.5	103.5	105.5	107.0	105.5	103.5
65	-	-	84.5	89.0	87.0	88.0	91.0	91.5
72	-	-	68.5	73.0	70.0	71.0	74.5	75.0
79	-	-	-	60.5	58.0	58.9	62.0	62.0
85	-	-	-	52.4	48.9	49.8	53.3	53.7
92	-	-	-	-	40.6	41.3	44.6	45.0
98	-	-	-	-	34.8	35.2	38.3	38.8
105	-	-	-	-	29.0	29.3	32.1	32.6
111	-	-	-	-	-	25.0	27.9	28.1
118	-	-	-	-	-	21.0	23.4	23.6
124	-	-	-	-	-	-	20.2	20.4
131	-	-	-	-	-	-	16.8	16.8
138	-	-	-	-	-	-	-	13.8
144	-	-	-	-	-	-	-	11.5
151	-	-	-	-	-	-	-	9.6

No. of Hoist Lines

1) 2x14	2) 23/20	2) 18/16	2) 15/13	2) 12/11	10	8	7
26							

Sequence of Extended Boom (%)

1.Tel.	0	43	43	43	86	86	86	100
2.Tel.	0	0	43	43	43	86	86	100
3.Tel.	0	0	0	43	43	43	86	100

DS 006

DS = operating mode switch on PAT-console

2) hoist rope reeved over hoist II

Unpinned capacities; according above chart, but max. 88 200 lb

Mannesmann
DEMAG Fördertechnik

AC 1600 Capacities on Main Boom Telescopes pinned 85%

Capacity (lb x 1000) = Load + Hook Block 360°

Radius (ft) Main Boom (ft) Counterweight 0 lb
Outrigger Base 39 x 39 ft

Radius (ft)	52.0	68.0	84.0	100.0	116.0	132.0	148.0	164.0
10	614.0	-	-	-	-	-	-	-
11	597.0	476.0	-	-	-	-	-	-
13	527.0	465.0	-	-	-	-	-	-
15	469.0	419.0	352.0	-	-	-	-	-
16	441.0	392.0	349.0	300.0	-	-	-	-
19	372.0	334.0	304.0	278.0	233.0	-	-	-
23	303.0	275.0	257.0	246.0	222.0	189.5	-	-
26	265.0	245.0	225.0	220.0	201.0	186.0	165.5	-
29	234.0	220.0	201.0	200.0	184.0	171.5	162.5	144.0
33	168.0	160.5	165.0	174.0	162.5	151.0	144.5	135.5
39	103.0	96.5	100.0	107.0	103.0	104.0	108.0	108.0
46	-	59.7	62.0	67.5	64.5	66.0	70.0	71.0
52	-	42.6	44.4	49.5	46.6	48.0	51.5	52.0
59	-	28.9	30.5	34.9	32.3	33.4	36.4	37.3
65	-	-	22.4	26.4	24.0	24.9	27.9	28.4
72	-	-	14.9	18.9	15.8	17.1	20.2	20.6
79	-	-	-	12.8	9.5	10.6	13.9	14.3
85	-	-	-	8.5	4.8	5.9	9.2	9.7
92	-	-	-	-	-	-	4.7	5.4

No. of Hoist Lines	Sequence of Extended Boom (%)							
	26	20	14	12	9	8	7	6
1.Tel.	0	43	43	43	86	86	86	100
2.Tel.	0	0	43	43	43	86	86	100
3.Tel.	0	0	0	43	43	43	86	100

DS 008

DS = operating mode switch on PAT-console

Unpinned capacities: according above chart, but max. 88 200 lb

AC 1600-SL

Capacities on Main Boom
(with Superlift-Suspension)
Telescopes pinned

85%

360°

Capacity (lb x 1000) = Load + Hook Block

Counterweight 309 000 lb
Outrigger Base 39 x 39 ft

Radius (ft)	Main Boom (ft)			
	116.0	132.0	148.0	164.0
19	374.0 ³⁾	-	-	-
23	374.0 ³⁾	308.0 ³⁾	-	-
26	374.0 ³⁾	308.0 ³⁾	-	-
29	365.0 ³⁾	308.0 ³⁾	242.0 ³⁾	-
33	347.0 ³⁾	308.0 ³⁾	242.0 ³⁾	198.0 ³⁾
39	325.0 ³⁾	296.0 ³⁾	238.0 ³⁾	197.0 ³⁾
46	284.0 ³⁾	273.0 ³⁾	226.0 ³⁾	187.0 ³⁾
52	253.0	250.0	212.0 ³⁾	177.0
59	222.0	222.0	197.5	164.5
65	202.0	202.0	182.5	153.5
72	180.0	181.0	165.0	141.0
79	161.0	162.5	152.0	131.0
85	145.0	149.0	143.5	122.5
92	126.0	134.0	131.0	112.5
98	108.0	121.5	122.5	106.0
105	81.0	107.0	112.5	98.5
111	-	93.5	105.5	94.5
118	-	74.5	94.0	89.0
124	-	-	83.0	82.5
131	-	-	69.0	77.5
138	-	-	-	71.5
144	-	-	-	61.5
151	-	-	-	47.0

No. of Hoist Lines

	³⁾ 15/10	³⁾ 13/10	³⁾ 10/8	³⁾ 8/7
Sequence of Extended Boom (%)				
1.Tel.	86	86	86	100
2.Tel.	43	86	86	100
3.Tel.	43	43	86	100

DS

080

DS = operating mode switch on PAT-console

³⁾ Hoist rope reeved over Hoist II

Mannesmann
DEMAG Fördertechnik

AC 1600-SL

Capacities on Main Boom
(with Superlift-Suspension)
Telescopes pinned

85%

360°

Capacity (lb x 1000) = Load + Hook Block

Counterweight 216 000 lb
Outrigger Base 39 x 39 ft

Radius (ft)	Main Boom (ft)			
	116.0	132.0	148.0	164.0
19	374.0 ³⁾	-	-	-
23	374.0 ³⁾	308.0 ³⁾	-	-
26	374.0 ³⁾	308.0 ³⁾	242.0 ³⁾	-
29	365.0 ³⁾	308.0 ³⁾	242.0 ³⁾	198.0 ³⁾
33	347.0 ³⁾	308.0 ³⁾	242.0 ³⁾	198.0 ³⁾
39	319.0 ³⁾	296.0 ³⁾	238.0 ³⁾	197.0 ³⁾
46	266.0	268.0 ³⁾	226.0 ³⁾	187.0 ³⁾
52	234.0	236.0	212.0 ³⁾	177.0
59	203.0	205.0	197.5	164.5
65	182.5	184.0	182.5	153.5
72	156.0	157.0	160.0	141.0
79	134.0	135.0	138.0	131.0
85	118.5	120.0	122.5	122.5
92	104.0	105.0	108.0	108.5
98	94.0	94.5	97.0	98.0
105	81.0	84.0	87.0	87.5
111	-	77.0	79.0	79.5
118	-	69.5	71.5	71.5
124	-	-	65.5	66.0
131	-	-	59.9	60.0
138	-	-	-	54.7
144	-	-	-	50.5
151	-	-	-	46.0

No. of Hoist Lines

	³⁾ 15/12	³⁾ 13/10	³⁾ 10/8	³⁾ 8/7
Sequence of Extended Boom (%)				
1. Tel.	86	86	86	100
2. Tel.	43	86	86	100
3. Tel.	43	43	86	100

DS 082

DS = operating mode switch on PAT-console

³⁾ Hoist rope reeved over hoist II

AC 1600 Capacities on Main Boom
Telescopes pinned

DIN 15019.2
360°

Capacity (lb x 1000) = Load + Hook Block

Counterweight 216 000 lb
Outrigger Base 29 x 28 ft

Radius (ft)	Main Boom (ft)							
	52.0	68.0	84.0	100.0	116.0	132.0	148.0	164.0
10	586.0	-	-	-	-	-	-	-
11	558.0	554.0 ²⁾	-	-	-	-	-	-
13	505.0	503.0 ²⁾	-	-	-	-	-	-
15	462.0	460.0	462.0 ²⁾	-	-	-	-	-
16	444.0	441.0	442.0 ²⁾	445.0 ¹⁾	-	-	-	-
19	394.0	392.0	394.0	396.0 ²⁾	368.0 ²⁾	-	-	-
23	341.0	339.0	341.0	343.0 ²⁾	341.0 ²⁾	297.0 ²⁾	-	-
26	311.0	308.0	309.0	313.0	311.0 ²⁾	277.0 ²⁾	232.0 ²⁾	-
29	284.0	282.0	284.0	286.0	284.0	258.0	222.0 ²⁾	200.0 ²⁾
33	249.0	247.0	249.0	252.0	249.0	237.0	206.0	186.0 ²⁾
39	202.0	197.5	199.5	204.0	202.0	202.0	186.0	170.5
46	-	146.0	148.0	152.0	150.0	151.0	154.5	151.5
52	-	118.0	119.5	123.5	121.0	122.5	125.0	125.5
59	-	94.5	95.5	99.0	97.0	98.0	100.5	101.0
65	-	-	80.5	84.0	82.0	83.0	85.5	86.0
72	-	-	67.5	70.5	68.0	69.0	71.5	72.0
79	-	-	-	60.0	57.8	58.5	60.5	61.0
85	-	-	-	53.0	50.6	51.2	53.5	53.9
92	-	-	-	-	43.5	43.9	46.4	46.6
98	-	-	-	-	38.5	38.9	41.1	41.3
105	-	-	-	-	33.7	33.9	35.9	36.1
111	-	-	-	-	-	30.3	32.0	32.3
118	-	-	-	-	-	26.5	28.2	28.5
124	-	-	-	-	-	-	25.4	25.4
131	-	-	-	-	-	-	22.5	22.3
138	-	-	-	-	-	-	-	19.7
144	-	-	-	-	-	-	-	17.9
151	-	-	-	-	-	-	-	15.8

No. of Hoist Lines	1) 2x9							
	26	2) 23/20	2) 19/16	2) 16/13	2) 15/11	2) 12/10	2) 9/8	2) 8/7

Sequence of Extended Boom (%)								
1.Tel.	0	43	43	43	86	86	86	100
2.Tel.	0	0	43	43	43	86	86	100
3.Tel.	0	0	0	43	43	43	86	100

DS 009

DS = operating mode switch on PAT-console

1) with special equipment and double hook block

2) Hoist rope reeved over hoist II

Maximum load on Runner 26 800 lb

8316, 20.03.1995 28,8,14

AC 1600

Capacities on Main Boom
Telescopes pinned

DIN 15019.2

Capacity (lb x 1000) = Load + Hook Block

360°

Radius (ft)	Main Boom (ft)				Counterweight	0 lb
	52.0	68.0	84.0	100.0	Outrigger Base 29 x 28 ft	
10	330.0	-	-	-	-	-
11	330.0	330.0	-	-	-	-
13	330.0	330.0	-	-	-	-
15	330.0	330.0	-	-	-	-
16	330.0	330.0	330.0	330.0	-	-
			328.0			297.0
19	257.0	257.0	257.0	257.0		257.0
23	136.0	136.0	136.0	136.0		136.0
26	93.5	93.5	93.5	93.5		93.5
29	68.0	68.0	68.0	68.0		68.0
33	45.7	45.7	45.7	45.7		45.7
39	27.5	27.5	27.5	27.5		27.5
46	-	15.3	15.3	15.3		15.3
52	-	-	-	-		11.3

No. of Hoist Lines

14

Sequence of Extended Boom (*)

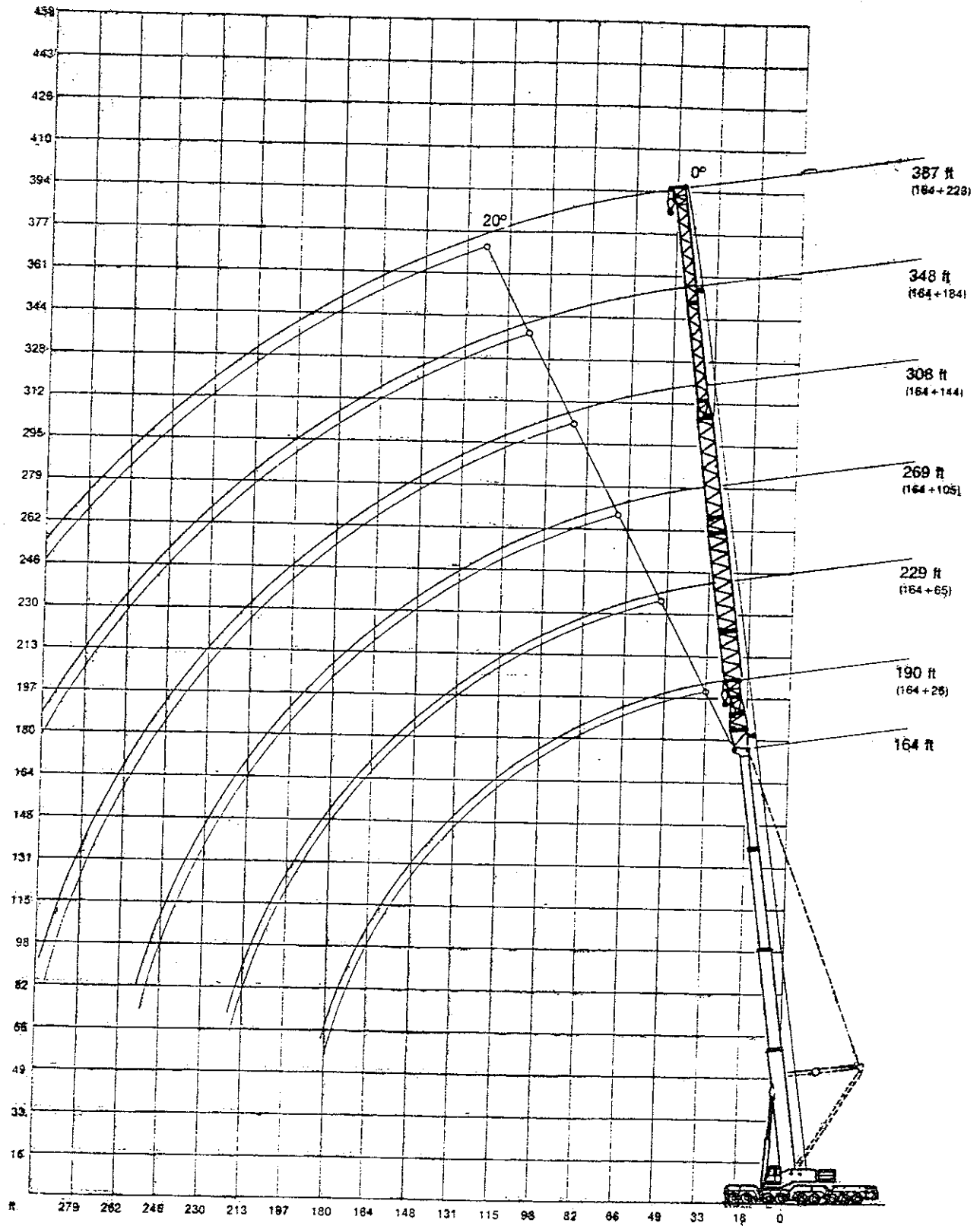
1.Tel.	0	43	43	43
2.Tel.	0	0	43	43
3.Tel.	0	0	0	43

DS

012

DS = operating mode switch on PAT-console

Working ranges fixed fly jib



AC 1600

Capacities on Fixed Jib
Telescopes pinned

0° -Pos.

DIN 15019.2

Capacity (lb x 1000) = Load + Hook Block

360°

Main Boom 164.0 ft

Counterweight 216 000 lb
Outrigger Base 39 x 39 ft

Radius (ft)	Jib (ft)	26.0	65.5	105.0	144.5	184.0
-------------	----------	------	------	-------	-------	-------

39	121.5	-	-	-	-	-
46	110.0	88.0	-	-	-	-
52	101.0	82.0	-	-	-	-
59	91.5	77.0	52.9	-	-	-
65	84.5	70.0	50.9	34.9	-	-
72	77.0	65.0	47.4	33.1	-	-
79	71.0	60.0	45.1	30.7	24.6	-
85	66.0	56.4	43.0	29.1	23.2	-
92	61.5	52.1	40.6	27.5	21.5	-
98	57.6	48.7	36.6	26.1	20.3	-
111	50.9	42.1	30.6	23.2	17.9	-
124	45.4	36.8	28.7	20.8	15.7	-
138	39.6	32.5	24.6	18.7	14.0	-
151	35.2	29.3	21.5	16.9	12.5	-
164	30.8	26.4	18.7	14.1	11.4	-
177	-	23.6	16.3	12.8	9.5	-
190	-	21.6	14.3	10.6	7.9	-
203	-	19.8	12.1	8.8	6.6	-
216	-	-	11.0	7.5	5.3	-
229	-	-	9.9	6.2	4.0	-

No. of Hoist Lines

5	4	2	2	2
---	---	---	---	---

DS	220	224	260	264	270
----	-----	-----	-----	-----	-----

DS = operating mode switch on PAT-console

Mannesmann.
DEMAG Fördertechnik

AC 1600

Capacities on Fixed Jib
Telescopes pinned

0° -Pos.

DIN 15019.2

Capacity (lb x 1000) = Load + Hook Block

360°

Main Boom 164.0 ft

Counterweight 126 000 lb
Outrigger Base 39 x 39 ft

Radius (ft)	Jib (ft)				
	26.0	65.5	105.0	144.5	184.0
39	121.5	-	-	-	-
46	110.0	88.0	-	-	-
52	101.0	82.0	-	-	-
59	91.5	77.0	52.9	-	-
65	84.5	70.0	50.9	34.9	-
72	77.0	65.0	47.4	33.1	-
79	71.0	60.0	45.1	30.7	24.6
85	66.0	56.4	43.0	29.1	23.2
92	61.5	52.1	40.6	27.5	21.5
98	55.1	48.7	36.6	26.1	20.3
111	42.2	42.1	30.6	23.2	17.9
124	32.4	36.0	28.7	20.8	15.7
138	24.1	27.9	24.6	18.7	14.0
151	18.2	21.7	21.5	16.9	12.5
164	13.6	16.7	17.6	14.1	11.4
177	-	12.8	13.2	12.8	9.5
190	-	9.3	9.9	10.2	7.9
203	-	6.4	6.9	7.1	6.6
216	-	-	4.2	4.5	3.8

No. of Hoist Lines

5 4 2 2 2

DS 222 226 262 266 272

DS = operating mode switch on PAT-console

AC 1600

Capacities on Fixed Jib
Telescopes pinned

20°-Pos.

DIN 15019.2

Capacity (lb x 1000) = Load + Hook Block

360°

Main Boom 164.0 ft

Counterweight 216 000 lb
Outrigger Base 39 x 39 ft

Radius
(ft)

Jib (ft)

26.0

65.5

105.0

144.5

52	94.0	-	-	-
59	87.0	-	-	-
65	82.0	-	-	-
72	75.0	48.5	-	-
79	70.0	47.5	-	-
85	65.5	46.1	-	-
92	60.0	43.1	-	-
98	55.4	40.9	32.0	-
111	49.2	37.6	29.2	-
124	43.2	34.3	26.8	21.0
138	37.4	31.6	24.2	18.4
151	33.0	28.6	22.0	16.9
164	29.7	25.3	19.8	15.4
177	-	23.1	18.1	14.1
190	-	20.7	16.1	12.8
203	-	18.8	14.3	11.5
216	-	-	12.6	10.4
229	-	-	11.1	9.3
243	-	-	9.9	7.9
256	-	-	-	6.8
269	-	-	-	5.5

No. of Hoist Lines

4

2

2

2

DS

320

324

360

364

DS = operating mode switch on PAT-console

Mannesmann
 DEMAG Fördertechnik

AC 1600

Capacities on Fixed Jib
 Telescopes pinned

20°-Pos.

DIN 15019.2

Capacity (lb x 1000) = Load + Hook Block

360°

Main Boom 164.0 ft

Counterweight 126 000 lb
 Outrigger Base 39 x 39 ft

Radius (ft)	Jib (ft)			
	26.0	65.5	105.0	144.5
52	94.0	-	-	-
59	87.0	-	-	-
65	82.0	-	-	-
72	75.0	48.5	-	-
79	70.0	47.5	-	-
85	65.5	46.1	-	-
92	60.0	43.1	-	-
98	55.4	40.9	32.0	-
111	44.3	37.6	29.2	-
124	34.0	34.3	26.8	21.0
138	25.4	31.6	24.2	18.4
151	19.3	24.8	22.0	16.9
164	14.1	19.4	19.8	15.4
177	-	14.8	17.4	14.1
190	-	10.8	13.3	12.8
203	-	7.6	9.8	11.5
216	-	-	6.7	8.5
229	-	-	3.8	5.6
No. of Hoist Lines				
	4	2	2	2
DS				
	322	326	362	366

DS = operating mode switch on PAT-console

AC 1000

Capacities on Fixed Jib
 Telescopes pinned

20° -Pos.

DIN 15019.2

Capacity (lb x 1000) = Load + Hook Block

360°

Outrigger Base 39 x 39 ft

Main Boom 148.0 ft (Sequence (%) 86-86-86)

Counterweight 216 000 lb

Counterweight 126 000 lb

Radius (ft)	Counterweight 216 000 lb		Counterweight 126 000 lb	
	Jib (ft)		Jib (ft)	
	26.0	65.5	26.0	65.5
52	106.0	-	106.0	-
59	99.0	-	99.0	-
65	93.0	-	93.0	-
72	86.0	52.9	86.0	52.9
79	79.0	51.7	76.5	51.7
85	73.0	50.1	67.0	50.1
92	68.0	48.4	57.6	48.4
98	64.0	46.8	50.9	46.8
111	57.5	43.5	39.5	43.5
124	51.0	40.2	30.8	36.3
138	43.9	36.9	23.7	28.5
151	37.4	33.9	18.4	22.6
164	-	30.8	-	18.5
177	-	28.4	-	14.8
190	-	25.8	-	11.1

No. of Hoist Lines	4	2	4	2
--------------------	---	---	---	---

DS	320	324	322	326
----	-----	-----	-----	-----

DS = operating mode switch on PAT-console

AC 1600

Capacities on Fixed Jib
 Telescopes pinned

20° -Pos.

DIN 15019.2

Capacity (lb x 1000) = Load + Hook Block

360°

Outrigger Base 39 x 39 ft

Main Boom 132.0 ft (Sequence (%) 86-86-43)

Counterweight 216 000 lb

Counterweight 126 000 lb

Radius (ft)	Jib (ft)		Jib (ft)	
	26.0	65.5	26.0	65.5
52	124.0	-	124.0	-
59	114.5	-	114.5	-
65	106.5	-	106.5	-
72	97.0	58.4	90.0	58.4
79	90.0	56.1	75.5	56.1
85	84.0	54.5	65.5	54.5
92	77.0	52.8	56.2	52.8
98	70.5	51.0	49.6	51.0
111	62.0	47.5	38.1	44.8
124	54.4	44.2	29.5	35.9
138	43.9	40.5	22.3	28.3
151	-	37.0	-	22.6
164	-	33.9	-	18.0
177	-	30.4	-	14.1
No. of Hoist Lines	5	3	5	3
DS	320	324	322	326

DS = operating mode switch on PAT-console

AC 1600-SL Capacities on Fixed Jib
with Superlift
Telescopes pinned

0°-Pos.

DIN 15019.2

Capacity (lb x 1000) = Load + Hook Block

360°

Main Boom 164.0 ft

Counterweight 309 000 lb
Outrigger Base 39 x 39 ft

Radius (ft)	Jib (ft)					
	26.0	65.5	105.0	144.5	184.0	223.5
39	121.5	-	-	-	-	-
46	115.5	88.0	-	-	-	-
52	112.5	86.0	55.1	-	-	-
59	108.0	82.5	54.0	-	-	-
65	106.0	80.5	52.0	35.3	-	-
72	102.5	77.0	50.7	34.6	26.4	-
79	99.0	74.5	49.5	33.9	25.7	-
85	96.0	72.5	48.5	33.1	25.3	13.2
92	92.5	70.5	47.3	32.3	24.6	13.0
98	89.5	68.0	46.3	31.7	24.2	12.8
111	82.5	63.0	44.1	30.2	23.1	12.5
124	77.0	58.6	40.9	28.7	22.1	12.1
138	69.0	53.9	38.5	27.3	20.9	11.9
151	61.5	49.5	36.3	25.7	19.8	11.6
164	54.2	45.2	34.1	24.4	18.7	11.2
177	-	40.8	31.9	23.1	17.6	11.0
190	-	36.4	29.8	21.6	16.5	10.5
203	-	33.1	27.6	20.3	15.4	9.9
216	-	-	24.3	18.8	14.3	9.4
229	-	-	22.1	17.4	13.2	8.8
243	-	-	-	16.0	12.1	8.1
256	-	-	-	14.5	11.0	7.7
269	-	-	-	13.2	9.9	7.0
282	-	-	-	-	8.8	6.6
295	-	-	-	-	7.7	5.9
308	-	-	-	-	-	5.3
321	-	-	-	-	-	4.6
No. of Hoist Lines	5	4	2	2	2	2
DS	284	290	294	296	218	288

DS = operating mode switch on PAT-console

AC 1600-SL Capacities on Fixed Jib
with Superlift
Telescopes pinned

0°-Pos.

DIN 15019.2

Capacity (lb x 1000) = Load + Hook Block

360°

Main Boom 164.0 ft

Counterweight 216 000 lb
Outrigger Base 39 x 39 ft

Radius (ft)	Jib (ft)					
	26.0	65.5	105.0	144.5	184.0	223.5
39	121.5	-	-	-	-	-
46	115.5	88.0	-	-	-	-
52	112.5	86.0	55.1	-	-	-
59	108.0	82.5	54.0	-	-	-
65	106.0	80.5	52.0	35.3	-	-
72	102.5	77.0	50.7	34.6	26.4	-
79	99.0	74.5	49.5	33.9	25.7	-
85	96.0	72.5	48.5	33.1	25.3	13.2
92	92.5	70.5	47.3	32.3	24.6	13.0
98	89.5	68.0	46.3	31.7	24.2	12.8
111	74.5	63.0	44.1	30.2	23.1	12.5
124	61.5	58.6	40.9	28.7	22.1	12.1
138	50.3	53.8	38.5	27.3	20.9	11.9
151	41.6	45.3	36.3	25.7	19.8	11.6
164	34.6	38.1	34.1	24.4	18.7	11.2
177	-	32.2	31.9	23.1	17.6	11.0
190	-	27.2	28.0	21.6	16.5	10.5
203	-	23.0	23.7	20.3	15.4	9.9
216	-	-	19.7	18.8	14.3	9.4
229	-	-	16.6	16.8	13.2	8.8
243	-	-	-	13.8	12.1	8.1
256	-	-	-	11.2	10.5	7.7
269	-	-	-	8.8	8.1	7.0
282	-	-	-	-	6.1	6.1
295	-	-	-	-	4.2	4.2
No. of Hoist Lines	5	4	2	2	2	2
DS	286	292	295	297	219	289

DS = operating mode switch on PAT-console

AC 1600-SL Capacities on Fixed Jib
 with Superlift
 Telescopes pinned

20° -Pos.

DIN 15019.2

Capacity (lb x 1000) = Load + Hook Block

360°

Main Boom 164.0 ft

Counterweight 216 000 lb
 Outrigger Base 39 x 39 ft

Radius (ft)	Jib (ft)				
	26.0	65.5	105.0	144.5	184.0
52	95.0	-	-	-	-
59	91.5	-	-	-	-
65	88.0	-	-	-	-
72	83.5	50.7	-	-	-
79	80.0	49.5	-	-	-
85	77.0	48.5	-	-	-
92	74.5	47.3	35.2	-	-
98	71.5	46.3	34.2	-	-
111	66.0	45.2	33.1	23.2	-
124	60.5	44.1	30.9	21.6	-
138	51.6	40.7	28.6	20.7	16.5
151	42.7	38.5	26.4	19.8	15.4
164	35.3	35.2	25.3	18.7	14.3
177	-	32.0	24.2	17.6	13.6
190	-	28.7	22.0	16.5	12.8
203	-	24.1	20.9	15.4	11.9
216	-	-	18.8	14.3	11.0
229	-	-	17.6	13.2	10.3
243	-	-	14.9	11.8	9.6
256	-	-	-	10.5	9.0
269	-	-	-	9.4	8.5
282	-	-	-	8.1	7.9
295	-	-	-	-	6.8
308	-	-	-	-	4.6
<hr/>					
No. of Hoist Lines	4	2	2	2	2
<hr/>					
DS	386	392	395	397	319

DS = operating mode switch on PAT-console

AC 1600-SL Capacities on Fixed Jib
with Superlift
Telescopes pinned

20° -Pos.

DEN 15019.2

Capacity (lb x 1000) = Load + Hook Block

360°

Outrigger Base 39 x 39 ft

Main Boom 148.0 ft (Sequence (%) 86-86-86)

Counterweight 309 000 lb

Counterweight 216 000 lb

Radius (ft)	Jib (ft)		Jib (ft)	
	26.0	65.5	26.0	65.5
52	114.5	-	114.5	-
59	110.0	-	110.0	-
65	107.0	-	107.0	-
72	103.5	58.4	103.5	58.4
79	99.0	57.2	99.0	57.2
85	95.0	56.2	95.0	56.2
92	90.0	55.0	90.0	55.0
98	84.0	54.0	83.5	54.0
111	75.0	52.7	67.5	52.7
124	64.5	50.8	55.7	50.8
138	53.8	48.9	45.5	48.8
151	45.1	47.3	37.8	42.9
164	-	45.8	-	36.6
177	-	44.1	-	31.1
190	-	42.3	-	26.5
No. of Hoist Lines				
	5	3	5	3
DS				
	384	390	386	392

DS = operating mode switch on PAT-console

AC 1600

Capacities on Fixed Jib
Telescopes pinned

0°-Pos.

DIN 15019.2

Capacity (lb x 1000) = Load + Hook Block

360°

Main Boom 164.0 ft

Counterweight 216 000 lb
Outrigger Base 29 x 28 ft

Radius (ft)	Jib (ft)	
	26.0	65.5
39	121.5	-
46	110.0	88.0
52	101.0	82.0
59	91.5	77.0
65	84.5	70.0
72	77.0	65.0
79	66.5	60.0
85	58.6	56.4
92	50.5	51.7
98	44.9	47.6
111	35.0	37.8
124	27.5	30.1
138	20.8	23.7
151	15.6	18.7
164	11.2	14.3
177	-	10.6
190	-	7.3
203	-	4.7

No. of Hoist Lines

5

4

DS

223

227

DS = operating mode switch on PAT-console

AC 1600

Capacities on Fixed Jib
Telescopes pinned

20°-Pos.

DIN 15019.2

Capacity (lb x 1000) = Load + Hook Block

360°

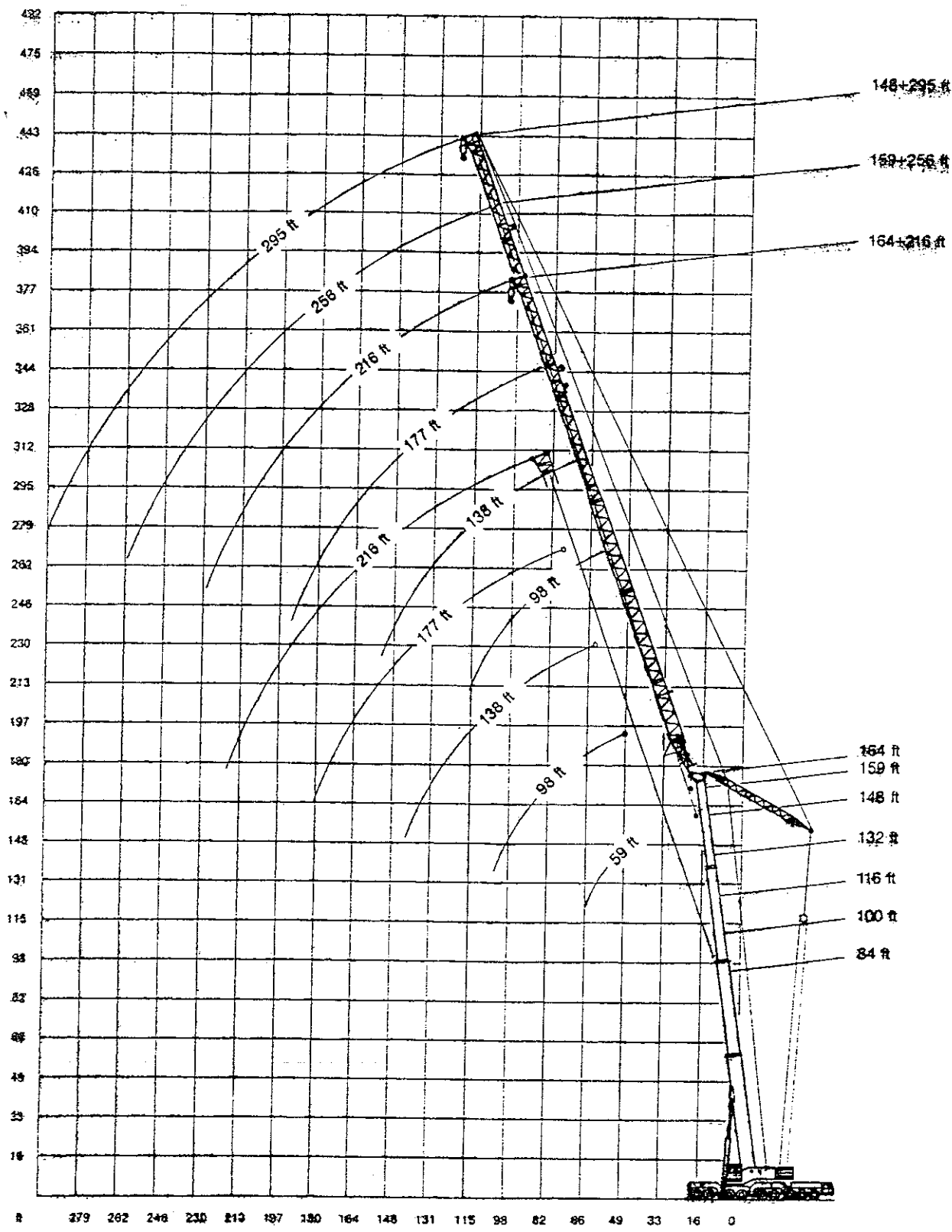
Main Boom 164.0 ft

Counterweight 216 000 lb
Outrigger Base 29 x 28 ft

Radius (ft)	Jib (ft)	
	26.0	65.5
52	94.0	-
59	87.0	-
65	82.0	-
72	75.0	48.5
79	70.0	47.5
85	60.5	46.1
92	52.9	43.1
98	46.9	40.9
111	36.5	37.6
124	28.8	33.2
138	21.9	26.5
151	16.5	21.3
164	11.9	16.7
177	-	12.6
190	-	8.9
203	-	5.8
<hr/>		
No. of Hoist Lines	4	2
<hr/>		
DS	323	327

DS = operating mode switch on PAT-console

Lifting capacities during fly jib, main boom 82°



Mannesmann
DEMAG Fördertechnik

AC 1600

Capacities on Luffing Fly Jib
Telescopes pinned

DIN 15019.2

Capacity (lb x 1000) = Load + Hook Block

360°

Main Boom 84.0 ft (Sequence (%) 43-43-0)

Main Boom Position 82°

Counterweight 216 000 lb
Outrigger Base 39 x 39 ft

Radius (ft)	Jib (ft)				
	59.0 ¹⁾	98.5 ²⁾	138.0	177.5	217.0
39	277.0	-	-	-	-
46	248.0	-	-	-	-
52	213.0	187.0	-	-	-
59	181.0	187.0	121.0	-	-
65	142.0	176.5	121.0	-	-
72	-	157.5	121.0	81.5	-
79	-	141.5	121.0	81.5	-
85	-	130.0	121.0	81.5	55.1
92	-	118.0	121.0	81.5	53.9
98	-	106.0	112.0	81.5	52.9
111	-	-	96.5	81.5	50.7
124	-	-	83.5	80.5	48.6
138	-	-	70.5	70.5	46.2
151	-	-	-	62.5	44.0
164	-	-	-	56.0	41.8
177	-	-	-	46.6	39.7
190	-	-	-	-	37.5
203	-	-	-	-	35.3
No. of Hoist Lines	11/6*	8/4*	5	4	3
DS	430	431	432	433	634

DS = operating mode switch on PAT-console

EE = 10

Luffing mast 49.0 ft

1) hook block and add. ballast on jib head must be at least 13 400 lb

2) min. weight of hook block 4000 lb (3 sheaves)

* minimum no. of hoist lines

single line pull = 24 800 lb

8316, 24.09.1991 18,5,16

AC 1600

Capacities on Luffing Fly Jib
Telescopes pinned

DIN 15019.2

Capacity (lb x 1000) = Load + Hook Block

360°

Main Boom 100.0 ft (Sequence (%) 43-43-43)

Main Boom Position 82°

Counterweight 216 000 lb
Outrigger Base 39 x 39 ft

Radius (ft)	Jib (ft)				
	98.5 ²⁾	138.0	177.5	217.0	256.5 ³⁾
52	154.0	-	-	-	-
59	153.0	99.0	-	-	-
65	152.0	99.0	-	-	-
72	151.0	99.0	66.0	-	-
79	148.0	99.0	66.0	-	-
85	135.5	99.0	66.0	50.7	-
92	123.0	99.0	66.0	50.7	33.0
98	113.0	99.0	66.0	50.7	33.0
111	-	95.5	66.0	50.7	33.0
124	-	83.0	66.0	48.6	33.0
138	-	72.0	66.0	46.2	33.0
151	-	-	62.0	42.9	33.0
164	-	-	55.5	40.7	30.8
177	-	-	50.1	38.6	28.6
190	-	-	-	36.4	27.5
203	-	-	-	35.3	26.4
216	-	-	-	34.2	25.3
229	-	-	-	-	24.3
243	-	-	-	-	23.1
No. of Hoist Lines	6/4*	4	3	2	2
DS	431	432	433	634	635

DS = operating mode switch on PAT-console

EE = 10

Luffing mast 49.0 ft

2) min. weight of hook block 4000 lb (3 sheaves)

3) max. wind speed 13.3 m/h

* minimum No. of Hoist Lines

single line pull = 24 800 lb

AS 1600

Capacities on Luffing Fly Jib
 Telescopes pinned

DIN 15019.2

Capacity (lb x 1000) = Load + Hook Block

360°

Main Boom 116.0 ft (Sequence (%) 86-43-43)

Main Boom Position 82°

Counterweight 216 000 lb
 Outrigger Base 39 x 39 ft

Radius (ft)	Jib (ft)				
	98.5 ²⁾	138.0	177.5	217.0	256.5 ³⁾
52	132.0	-	-	-	-
59	132.0	-	-	-	-
65	132.0	88.0	-	-	-
72	132.0	88.0	-	-	-
79	129.5	88.0	61.5	-	-
85	127.5	88.0	61.5	-	-
92	121.0	88.0	61.5	44.0	-
98	111.0	88.0	61.5	44.0	-
111	-	88.0	61.5	44.0	28.6
124	-	81.0	61.5	44.0	28.6
138	-	71.0	61.5	44.0	28.6
151	-	-	61.0	44.0	28.6
164	-	-	54.4	41.8	28.6
177	-	-	49.2	39.7	28.6
190	-	-	-	37.5	28.6
203	-	-	-	35.3	27.5
216	-	-	-	33.1	26.5
229	-	-	-	-	25.4
243	-	-	-	-	24.2
No. of Hoist Lines	6/4*	4	3	2	2
DS	431	432	433	634	635

DS = operating mode switch on PAT-console

EE = 10'

Luffing mast 49.0 ft

2) min. weight of hook block 4000 lb (3 sheaves)

3) max. wind speed 13.3 m/h

* minimum No. of Hoist Lines

single line pull = 24 800 lb

AC 1600

Capacities on Luffing Fly Jib
Telescopes pinned

DIN 15019.2

Capacity (lb x 1000) = Load + Hook Block

360°

Main Boom 132.0 ft (Sequence (%) 86-86-43)

Main Boom Position 82°

Counterweight 216 000 lb
Outrigger Base 39 x 39 ft

Radius (ft)	Jib (ft)				
	98.5 ²⁾	138.0	177.5	217.0	256.5 ³⁾
59	110.0	-	-	-	-
65	110.0	-	-	-	-
72	109.0	74.5	-	-	-
79	107.5	74.5	52.9	-	-
85	105.5	74.5	52.9	-	-
92	103.5	74.5	52.9	37.4	-
98	101.5	74.5	52.9	37.4	-
111	-	74.5	52.9	37.4	26.4
124	-	74.5	52.9	37.4	26.4
138	-	70.0	52.9	37.4	26.4
151	-	-	52.9	37.4	26.4
164	-	-	52.9	37.4	26.4
177	-	-	48.5	37.4	26.4
190	-	-	-	37.4	26.4
203	-	-	-	37.4	26.4
216	-	-	-	37.4	26.4
229	-	-	-	35.1	26.4
243	-	-	-	-	25.3
256	-	-	-	-	24.2
No. of Hoist Lines	5/4*	3	2	2	2
DS	431	432	433	634	635

DS = operating mode switch on PAT-console

EE = 10

Luffing mast 49.0 ft

2) min. weight of hook block 4000 lb (3 sheaves)

3) max. wind speed 13.3 m/h

* minimum No. of Hoist Lines

single line pull = 24 800 lb

AC 1600

Capacities on Luffing Fly Jib
 Telescopes pinned

DIN 15019.2

Capacity (lb x 1000) = Load + Hook Block

360°

Main Boom 148.0 ft (Sequence (%) 86-86-86)

Main Boom Position 82°

Counterweight 216 000 lb
 Outrigger Base 39 x 39 ft

Radius (ft)	Jib (ft)				
	98.5 ²⁾	138.0	177.5	217.0	256.5 ³⁾
59	90.0	-	-	-	-
65	90.0	-	-	-	-
72	89.0	61.5	-	-	-
79	88.0	61.5	-	-	-
85	86.0	61.5	44.0	-	-
92	84.5	61.5	44.0	-	-
98	83.5	61.5	44.0	31.9	-
111	80.5	61.5	44.0	31.9	22.0
124	-	61.5	44.0	31.9	22.0
138	-	61.5	44.0	31.9	22.0
151	-	-	44.0	31.9	22.0
164	-	-	44.0	31.9	22.0
177	-	-	44.0	31.9	22.0
190	-	-	-	31.9	22.0
203	-	-	-	31.9	22.0
216	-	-	-	31.9	22.0
229	-	-	-	-	22.0
243	-	-	-	-	22.0
256	-	-	-	-	22.0
No. of Hoist Lines	4	3	2	2	2
DS	431	432	433	634	635

DS = operating mode switch on PAT-console

EE = 10

Luffing mast 49.0 ft

²⁾ min. weight of hook block 4000 lb (3 sheaves)

³⁾ max. wind speed 13.3 m/h

single line pull = 24 800 lb

Capacity (lb x 1000) = Load + Hook Block

360°

Main Boom Position 82°

Counterweight 216 000 lb
Outrigger Base 39 x 39 ft

Main Boom 164.0 ft
(Sequence (%) 100-100-100)

Main Boom 159.0 ft
(Sequence (%) 100-100-86)

Radius (ft)	Main Boom 164.0 ft (Sequence (%) 100-100-100)				Main Boom 159.0 ft (Sequence (%) 100-100-86)
	Jib (ft) 98.5 ²⁾	138.0	177.5	217.0	
65	72.5	-	-	-	-
72	72.5	-	-	-	-
79	72.5	48.5	-	-	-
85	72.5	48.5	-	-	-
92	70.0	48.5	35.2	-	-
98	68.0	48.5	35.2	23.1	-
111	64.0	48.5	35.2	23.1	-
124	-	48.5	35.2	23.1	17.6
138	-	46.2	35.2	23.1	17.6
151	-	44.0	35.2	23.1	17.6
164	-	-	34.1	23.1	17.6
177	-	-	33.0	23.1	17.6
190	-	-	-	23.1	17.6
203	-	-	-	23.1	17.6
216	-	-	-	23.1	17.6
229	-	-	-	-	17.6
243	-	-	-	-	17.6
256	-	-	-	-	17.6
No. of Hoist Lines					
	3	2	2	2	2
DS	431	432	433	634	635

DS = operating mode switch on PAT-console

EE = 10

Luffing mast 49.0 ft

2) min. weight of hook block 4000 lb (3 sheaves)

3) max. wind speed 13.3 m/h

single line pull = 24 800 lb

AC 1600

Capacities on Luffing Fly Jib
 Telescopes pinned

DIN 15019.2

Capacity (lb x 1000) = Load + Hook Block

360°

Jib 295.0 ft³⁾

Main Boom Position 82°

Counterweight 216 000 lb
 Outrigger Base 39 x 39 ft

Radius (ft)	Main Boom (ft)			
	100.0	116.0	132.0	148.0
111	22.0	17.6	-	-
124	21.5	17.4	13.2	8.8
138	20.9	17.1	13.2	8.8
151	20.3	16.9	13.2	8.8
164	19.8	16.9	13.2	8.8
177	19.1	16.7	13.2	8.8
190	18.5	16.5	13.2	8.8
203	17.8	16.3	13.2	8.8
216	17.2	16.3	13.2	8.8
229	16.7	16.1	13.2	8.8
243	16.3	15.8	13.2	8.8
256	15.8	15.6	13.2	8.8
269	15.6	15.4	13.2	8.8
282	15.4	14.9	13.2	8.8
295	15.2	14.3	13.2	8.8

No. of Hoist Lines	1	1	1	1
--------------------	---	---	---	---

Sequence of Extended Boom (%)	1	1	1	1
	43	86	86	86
	43	43	86	86
	43	43	43	86

DS 636

DS = operating mode switch on PAT-console

EE = 10
 Luffing mast 49.0 ft

3) max. wind speed 11.1 m/h

Mannesmann
DEMAG Fördertechnik

AC 1600

Capacities on Luffing Fly Jib
Telescopes pinned

DIN 15019.2

Capacity (lb x 1000) = Load + Hook Block

360°

Main Boom 100.0 ft (Sequence (%) 43-43-43)

Main Boom Position 82°

Radius (ft)	Jib (ft)	Counterweight 216 000 lb red. Outrigger Base 29 x 28 ft	
	98.5 ²⁾	138.0	177.5
52	155.0	-	-
59	129.0	99.0	-
65	112.5	99.0	-
72	97.0	95.5	66.0
79	85.5	84.0	66.0
85	77.0	76.0	66.0
92	69.5	67.5	66.0
98	63.5	62.0	60.0
111	-	52.2	50.2
124	-	44.6	42.7
138	-	38.4	36.3
151	-	-	31.5
164	-	-	27.7
177	-	-	24.5
<hr/>			
No. of Hoist Lines	6/4*	4	3
<hr/>			
DS	451	452	453

DS = operating mode switch on PAT-console

EE = 10

Luffing mast 49.0 ft

2) Min. weight of hook block 4000 lb (3 sheaves)

* Minimum No. of Hoist Lines

Single line pull = 26 800 lb

AC 1600

Capacities on Luffing Fly Jib
 Telescopes pinned

DIN 15019.2

Capacity (lb x 1000) = Load + Hook Block

360°

Main Boom 116.0 ft (Sequence (%) 86-43-43)

Main Boom Position 82°

Radius (ft)	Jib (ft)		Counterweight red. Outrigger Base	216 000 lb 29 x 28 ft
	98.5 ²⁾	138.0	177.5	
52	132.5	-	-	
59	126.0	-	-	
65	110.0	88.0	-	
72	95.0	88.0	-	
79	83.5	82.0	61.5	
85	75.5	74.0	61.5	
92	67.5	66.0	61.5	
98	62.0	60.5	58.4	
111	-	50.8	48.9	
124	-	43.5	41.3	
138	-	37.3	35.2	
151	-	-	30.6	
164	-	-	26.6	
177	-	-	23.6	
<hr/>				
No. of Hoist Lines	6/4*	4	3	
<hr/>				
DS	451	452	453	

DS = operating mode switch on PAT-console

EE = 10

Luffing mast 49.0 ft

2) Min. weight of hook block 4000 lb (3 sheaves)

* Minimum No. of Hoist Lines

Single line pull = 26 800 lb

Mannesmann
 DEMAG Fördertechnik

AC 1600

Capacities on Luffing Fly Jib
 Telescopes pinned

DIN 15019.2

Capacity (lb x 1000) = Load + Hook Block

360°

Main Boom 132.0 ft (Sequence (%) 86-86-43)

Main Boom Position 82°

Radius (ft)	Jib (ft)		Counterweight red. Outrigger Base	
	98.5 ²⁾	138.0	177.5	216 000 lb 29 x 28 ft
59	110.0	-	-	
65	107.0	-	-	
72	93.5	74.5	-	
79	82.0	74.5	52.9	
85	74.0	72.5	52.9	
92	66.5	65.0	52.9	
98	61.0	59.4	52.9	
111	-	50.0	47.6	
124	-	42.7	40.4	
138	-	36.5	34.3	
151	-	-	29.7	
164	-	-	26.0	
177	-	-	22.9	
<hr/>				
No. of Hoist Lines	5/4 [*]	3	2	
<hr/>				
DS	451	452	453	

DS = operating mode switch on PAT-console

EE = 10
 Luffing mast 49.0 ft

2) Min. weight of hook block 4000 lb (3 sheaves)

* Minimum No. of Hoist Lines

Single line pull = 26 800 lb

Mannesmann
 DEMAG Fördertechnik

AC 1600

Capacities on Luffing Fly Jib
 Telescopes pinned

DIN 15019.2

Capacity (lb x 1000) = Load + Hook Block

360°

Main Boom 148.0 ft (Sequence (%) 86-86-86)

Main Boom Position 82°

Radius (ft)	Jib (ft)	Counterweight red. Outrigger Base 216 000 lb 29 x 28 ft	
	98.5 ²⁾	138.0	177.5
59	90.0	-	-
65	90.0	-	-
72	89.0	61.5	-
79	81.0	61.5	-
85	73.0	61.5	44.0
92	65.5	61.5	44.0
98	60.0	58.6	44.0
111	51.0	49.3	44.0
124	-	42.0	39.7
138	-	36.0	33.8
151	-	-	29.3
164	-	-	25.5
177	-	-	22.5
<hr/>			
No. of Hoist Lines	4	3	2
<hr/>			
DS	451	452	453

DS = operating mode switch on PAT-console

EE = 10

Luffing mast 49.0 ft

2) Min. weight of hook block 4000 lb (3 sheaves)

single line pull = 26 800 lb

Mannesmann
DEMAG Fördertechnik

AC 1600

Capacities on Luffing Fly Jib
Telescopes pinned

DIN 15019.2

Capacity (lb x 1000) = Load + Hook Block

360°

Main Boom 164.0 ft (Sequence (%) 100-100-100)

Main Boom Position 82°

Radius (ft)	Jib (ft)	Counterweight	
		216 000 lb red. Outrigger Base 29 x 28 ft	
	98.5 ²⁾	138.0	177.5
65	72.5	-	-
72	72.5	-	-
79	72.5	48.5	-
85	71.5	48.5	-
92	64.5	48.5	35.2
98	59.2	48.5	35.2
111	49.9	47.8	35.2
124	-	41.1	35.2
138	-	35.2	32.9
151	-	30.8	28.4
164	-	-	24.9
177	-	-	21.8
<hr/>			
No. of Hoist Lines	3	2	2
<hr/>			
DS	451	452	453

DS = operating mode switch on PAT-console

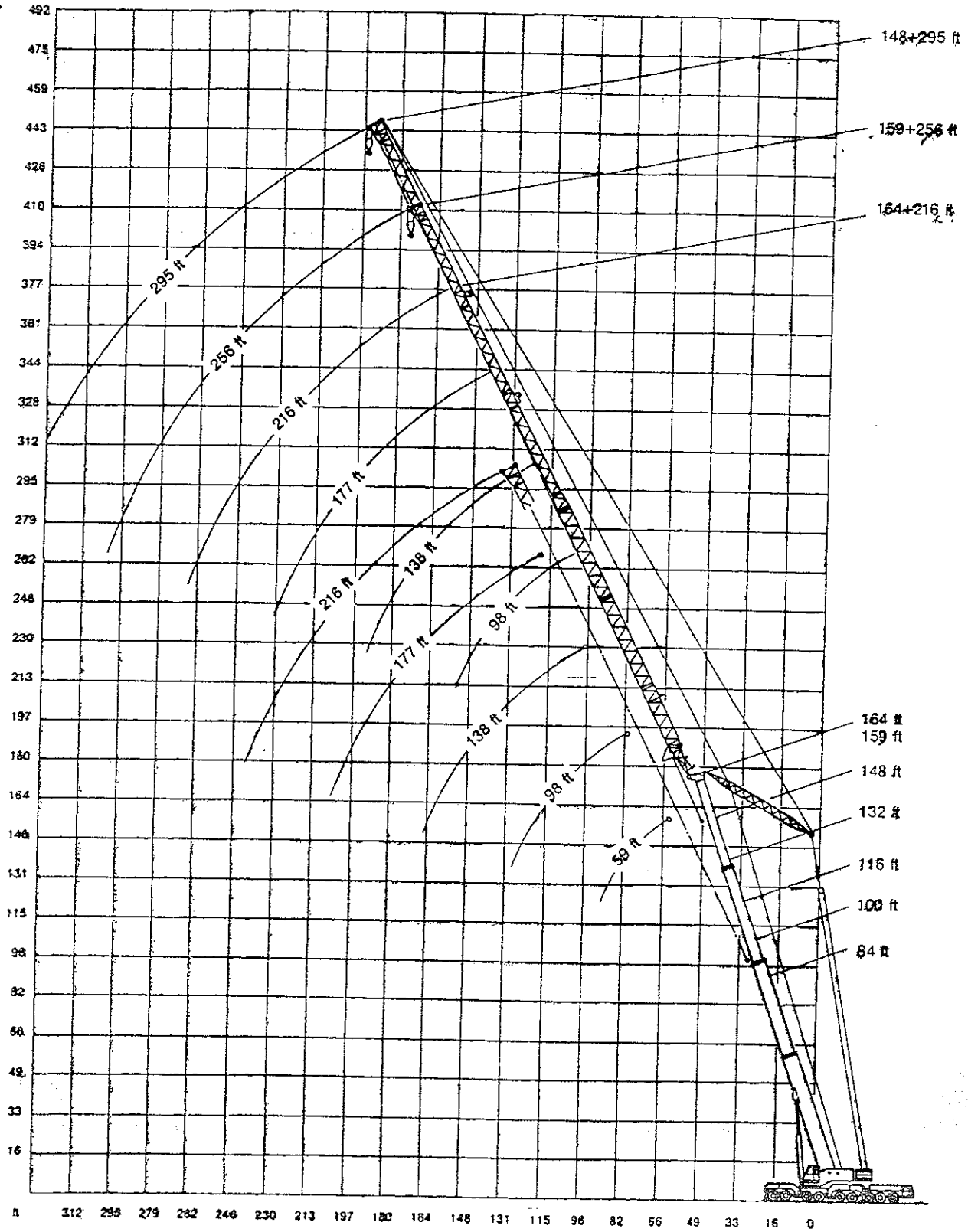
EE = 10

Luffing mast 49.0 ft

2) Min. weight of hook block 4000 lb (3 sheaves)

Single line pull = 26 800 lb

Lifting capacities luffing fly jib, main boom 70°



AC 1600

Capacities on Luffing Fly Jib
 Telescopes pinned

DIN 15019.2

Capacity (lb x 1000) = Load + Hook Block

360°

Main Boom 84.0 ft (Sequence (%) 43-43-0)

Main Boom Position 70°

Counterweight 216 000 lb
 Outrigger Base 39 x 39 ft

Radius (ft)	Jib (ft)				
	59.0 ¹⁾	98.5 ²⁾	138.0	177.5	217.0
59	176.5	-	-	-	-
65	127.0	-	-	-	-
72	86.5	-	-	-	-
79	60.5	-	-	-	-
85	-	118.0	-	-	-
92	-	106.0	-	-	-
98	-	97.5	95.5	-	-
111	-	82.5	80.5	-	-
118	-	73.5	74.5	-	-
124	-	-	69.0	66.5	-
138	-	-	59.8	57.6	44.0
151	-	-	53.0	50.6	42.9
157	-	-	49.0	48.0	42.3
164	-	-	-	44.9	41.8
177	-	-	-	40.4	39.0
190	-	-	-	36.4	35.1
197	-	-	-	33.6	33.2
203	-	-	-	-	31.6
216	-	-	-	-	28.5
229	-	-	-	-	26.1
236	-	-	-	-	24.3
No. of Hoist Lines	11/6*	8/4*	5	4	3
DS	430	431	432	433	634

DS = operating mode switch on PAT-console

EE = 10

Luffing mast 49.0 ft

1) Hook Block and add. Ballast on Jib Head must be at least 13 400 lb

2) Min. weight of hook block 4000 lb (3 sheaves)

* Minimum No. of Hoist Lines

AC 1600

Capacities on Luffing Fly Jib
Telescopes pinned

DIN 15019.2

Capacity (lb x 1000) = Load + Hook Block

360°

Main Boom 100.0 ft (Sequence (%) 43-43-43)

Main Boom Position 70°

Counterweight 216 000 lb
Outrigger Base 39 x 39 ft

Radius (ft)	Jib (ft)				
	98.5 ²⁾	138.0	177.5	217.0	256.5 ³⁾
85	116.0	-	-	-	-
92	104.5	-	-	-	-
98	95.5	-	-	-	-
111	81.0	78.5	-	-	-
124	70.0	68.0	64.0	-	-
138	-	58.7	56.3	46.2	-
151	-	51.9	49.5	42.9	-
164	-	46.3	43.8	40.7	29.9
177	-	-	39.3	37.9	28.6
190	-	-	35.3	34.0	27.5
203	-	-	32.0	30.7	26.4
216	-	-	-	27.8	25.3
229	-	-	-	25.2	23.4
243	-	-	-	22.8	21.1
256	-	-	-	-	19.1
269	-	-	-	-	17.4
282	-	-	-	-	15.6
<hr/>					
No. of Hoist Lines	6/4*	4	3	2	2
<hr/>					
DS	431	432	433	634	635

DS = operating mode switch on PAT-console

EE = 10

Luffing mast 49.0 ft

2) min. weight of hook block 4000 lb (3 sheaves)

3) max. wind speed 13.3 m/h

* minimum No. of Hoist Lines

AC 1600

Capacities on Luffing Fly Jib
 Telescopes pinned

DIN 15019.2

Capacity (lb x 1000) = Load + Hook Block

360°

Main Boom 116.0 ft (Sequence (%) 86-43-43)

Main Boom Position 70°

Counterweight 216 000 lb
 Outrigger Base 39 x 39 ft

Radius (ft)	Jib (ft)				
	98.5 ²⁾	138.0	177.5	217.0	256.5 ³⁾
98	91.5	-	-	-	-
111	77.5	75.5	-	-	-
124	67.0	64.5	-	-	-
131	61.5	60.0	-	-	-
138	-	55.8	53.4	-	-
151	-	49.3	46.9	40.1	-
164	-	44.1	41.6	38.5	-
170	-	42.0	39.6	37.3	-
177	-	-	37.1	35.9	-
190	-	-	33.3	32.0	26.2
203	-	-	30.0	28.7	25.5
210	-	-	28.6	27.1	24.6
216	-	-	-	25.9	24.0
229	-	-	-	23.4	21.7
243	-	-	-	21.1	19.5
256	-	-	-	-	17.6
269	-	-	-	-	15.8
282	-	-	-	-	14.3
No. of Hoist Lines	6/4*	4	3	2	2
DS	431	432	433	634	635

DS = operating mode switch on PAT-console

EE = 10

Luffing mast 49.0 ft

2) min. weight of hook block 4000 lb (3 sheaves)

3) max. wind speed 13.3 m/h

* minimum No. of Hoist Lines

Mannesmann
DEMAG Fördertechnik

AC 1600

Capacities on Luffing Fly Jib
Telescopes pinned

DIN 15019.2

Capacity (lb x 1000) = Load + Hook Block

360°

Main Boom 132.0 ft (Sequence (%) 86-86-43)

Main Boom Position 70°

Counterweight 216 000 lb
Outrigger Base 39 x 39 ft

Radius (ft)	Jib (ft)				
	98.5 ²⁾	138.0	177.5	217.0	256.5 ³⁾
98	81.5	-	-	-	-
111	75.0	-	-	-	-
124	64.5	60.5	-	-	-
138	56.0	54.1	-	-	-
151	-	47.5	44.0	-	-
164	-	42.5	39.9	35.0	-
177	-	38.1	35.5	34.1	-
190	-	-	31.8	30.7	26.4
203	-	-	28.7	27.4	25.6
216	-	-	26.1	24.8	23.0
229	-	-	-	22.3	20.6
243	-	-	-	20.0	18.2
256	-	-	-	18.2	16.5
269	-	-	-	-	14.7
282	-	-	-	-	13.0
295	-	-	-	-	11.7
No. of Hoist Lines	5/4*	3	2	2	2
DS	431	432	433	634	635

DS = operating mode switch on PAT-console

EE = 10

Luffing mast 49.0 ft

2) min. weight of hook block 4000 lb (3 sheaves)

3) max. wind speed 13.3 m/h

* minimum No. of Hoist Lines

Mannesmann
DEMAG Fördertechnik

AC 1500

Capacities on Luffing Fly Jib
Telescopes pinned

DIN 15019.2

Capacity (lb x 1000) = Load + Hook Block

360°

Main Boom 148.0 ft (Sequence (%) 86-86-86)

Main Boom Position 70°

Counterweight 216 000 lb
Outrigger Base 39 x 39 ft

Radius (ft)	Jib (ft)				
	98.5 ²⁾	138.0	177.5	217.0	256.5 ³⁾
111	63.0	-	-	-	-
124	57.6	50.8	-	-	-
138	53.9	47.3	-	-	-
151	-	44.0	35.2	-	-
164	-	41.4	33.0	29.7	-
177	-	37.0	31.9	28.6	-
190	-	-	30.8	27.5	-
203	-	-	27.8	26.4	19.8
216	-	-	25.0	23.9	19.2
229	-	-	-	21.5	18.5
243	-	-	-	19.3	17.3
256	-	-	-	17.4	15.4
269	-	-	-	-	13.6
282	-	-	-	-	12.1
295	-	-	-	-	10.6
<hr/>					
No. of Hoist Lines	4	3	2	2	2
<hr/>					
DS	431	432	433	634	635

DS = operating mode switch on PAT-console

EE = 10

Luffing mast 49.0 ft

2) min. weight of hook block 4000 lb (3 sheaves)

3) max. wind speed 13.3 m/h

AC 1600 Capacities on Luffing Fly Jib
Telescopes pinned

DIN 15019.2

Capacity (lb x 1000) = Load + Hook Block

360°

Main Boom Position 70°

Counterweight 216 000 lb
Outrigger Base 39 x 39 ft

Main Boom 164.0 ft
(Sequence (%) 100-100-100)

Main Boom 159.0 ft
(Sequence (%) 100-100-86)

Radius (ft)	Jib (ft)				256.5 ³⁾
	98.52)	138.0	177.5	217.0	
124	47.6	-	-	-	-
138	42.8	35.2	-	-	-
144	38.8	34.2	-	-	-
151	-	33.0	-	-	-
164	-	30.8	22.0	-	-
177	-	29.7	22.0	18.7	-
184	-	27.4	21.5	18.2	-
190	-	-	21.1	17.8	-
203	-	-	20.9	17.2	12.1
216	-	-	20.5	16.1	11.4
223	-	-	19.6	15.6	11.0
229	-	-	-	15.2	10.6
243	-	-	-	14.7	9.9
256	-	-	-	14.3	8.8
262	-	-	-	13.9	8.6
269	-	-	-	-	8.3
282	-	-	-	-	7.9
295	-	-	-	-	7.5
302	-	-	-	-	7.0
No. of Hoist Lines					
	3	2	2	2	2
DS	431	432	433	634	635

DS = operating mode switch on PAT-console

EE = 10

Luffing mast 49.0 ft

2) min. weight of hook block 4000 lb (3 sheaves)

3) max. wind speed 13.3 m/h

Mannesmann
 DEMAG Fördertechnik

AC 1600

Capacities on Luffing Fly Jib
 Telescopes pinned

DIN 15019.2

Capacity (lb x 1000) = Load + Hook Block

360°

Jib 295.0 ft³⁾

Main Boom Position

70°

Counterweight 216 000 lb
 Outrigger Base 39 x 39 ft

Radius
 (ft)

Main Boom (ft)

132.0 148.0

203	13.2	-
216	13.2	8.8
229	13.2	8.8
243	13.2	8.8
256	13.2	8.8
269	13.2	8.8
282	13.0	8.8
295	12.5	8.8
308	11.7	8.8
321	10.6	8.3
328	9.9	8.1

No. of Hoist Lines

1 1

Sequence of Extended Boom (%)

86 86
 86 86
 43 86

DS

636

DS = operating mode switch on PAT-console

EE = 10

Luffing mast 49.0 ft

3) max. wind speed 11.1 m/h

Mannesmann
DEMAG Fördertechnik

AC 1600-SL Capacities on Luffing Fly Jib
(with Superlift-Suspension)
Telescopes pinned

DIN 15019.2

Capacity (lb x 1000) = Load + Hook Block

360°

Main Boom 116.0 ft (Sequence (%) 86-43-43)

Main Boom Position 70°

Counterweight 309,000 lb
Outrigger Base 30 x 39 ft

Radius (ft)	Jib (ft)			
	98.5 ²⁾	138.0	177.5	217.0
92	102.4	-	-	-
98	101.4	-	-	-
105	100.3	84.8	-	-
111	99.3	82.8	-	-
118	97.0	80.5	-	-
124	93.0	78.4	59.5	-
131	88.3	76.1	59.5	-
138	-	74.9	59.5	-
144	-	73.9	59.5	-
151	-	72.7	59.5	39.9
157	-	68.6	59.5	39.9
164	-	65.0	59.5	39.6
170	-	62.0	58.3	39.4
177	-	-	57.1	39.0
190	-	-	51.9	37.9
203	-	-	47.5	36.4
210	-	-	42.9	35.7
216	-	-	-	35.1
229	-	-	-	34.0
243	-	-	-	33.2
No. of Hoist Lines	6/4*	4	3	2
DS	831	832	833	834

DS = operating mode switch on PAT-console

Luffing mast 49.0 ft

EE = 10

2) min. weight of hook block 4000 lb (3 sheaves)

* min. no. of hoist lines

Mannesmann
DEMAG Fördertechnik

AC 1600-SL Capacities on Luffing Fly Jib
(with Superlift-Suspension)
Telescopes pinned

DIN 15019.2

Capacity (lb x 1000) = Load + Hook Block

360°

Main Boom 132.0 ft (Sequence (%) 86-86-43)

Main Boom Position 70°

Counterweight 309,000 lb
Outrigger Base 39 x 39 ft

Radius (ft)	Jib (ft)			
	98.5 ²⁾	138.0	177.5	217.0
98	94.0	-	-	-
105	88.1	-	-	-
111	85.1	72.7	-	-
118	81.6	72.7	-	-
124	78.6	72.7	-	-
131	77.2	72.7	-	-
138	74.8	71.6	48.5	-
144	-	71.6	48.5	-
151	-	70.5	48.2	-
157	-	67.4	47.8	34.1
164	-	63.5	47.1	34.1
177	-	55.2	45.6	34.1
190	-	-	44.1	34.1
203	-	-	42.8	34.1
216	-	-	41.9	34.1
229	-	-	-	34.1
243	-	-	-	34.1
256	-	-	-	34.1
No. of Hoist Lines	5/4*	3	2	2
DS	831	832	833	834

DS = operating mode switch on PAT-console

Luffing mast 49.0 ft
EE = 10

2) min. weight of hook block 4000 lb (3 sheaves)

* min. no. of hoist lines

Mannesmann
 DEMAG Fördertechnik

AC 1600-SL Capacities on Luffing Fly Jib
 (with Superlift-Suspension)
 Telescopes pinned

DIN 15019-2

Capacity (lb x 1000) = Load + Hook Block

360°

Main Boom 148.0 ft (Sequence (%) 86-86-86)

Main Boom Position 70°

Counterweight 309,000 lb
 Outrigger Base 39 x 39 ft

Radius (ft)	Jib (ft)			
	98.5 ²⁾	138.0	177.5	217.0
105	77.1	-	-	-
111	73.1	-	-	-
118	70.5	54.6	-	-
124	67.5	53.4	-	-
131	65.7	52.2	-	-
138	63.8	51.3	38.5	-
144	-	50.7	38.5	-
151	-	50.0	38.5	-
157	-	49.4	38.5	-
164	-	48.9	38.5	22.0
177	-	48.0	38.5	22.0
190	-	-	38.5	22.0
203	-	-	38.5	22.0
216	-	-	38.5	22.0
229	-	-	-	22.0
243	-	-	-	22.0
256	-	-	-	22.0
No. of Hoist Lines	4	3	2	2
DS	831	832	833	834

DS = operating mode switch on PAT-console

Luffing mast 49.0 ft
 EE = 10

2) min. weight of hook block 4000 lb (3 sheaves)

Mannesmann
 DEMAG Fördertechnik

AC 1500-SL Capacities on Luffing Fly Jib
 (with Superlift-Suspension)
 Telescopes pinned

DIN 15019.2

Capacity (lb x 1000) = Load + Hook Block

360°

Main Boom 164.0 ft (Sequence (%) 100-100-100)

Main Boom Position 70°

Counterweight 309,000 lb
 Outrigger Base 39 x 39 ft

Radius (ft)	Jib (ft)			
	98.5 ²⁾	138.0	177.5	217.0
111	61.4	-	-	-
118	59.1	-	-	-
124	57.5	44.8	-	-
131	56.2	44.1	-	-
138	55.3	42.9	28.6	-
144	55.1	42.1	28.6	-
151	-	41.4	27.3	-
157	-	40.8	26.9	-
164	-	40.5	26.6	-
177	-	40.1	26.4	15.4
184	-	39.6	26.4	15.4
190	-	-	26.4	15.4
203	-	-	26.4	15.4
216	-	-	26.4	15.4
223	-	-	26.4	15.4
229	-	-	-	15.4
243	-	-	-	15.4
256	-	-	-	15.4
262	-	-	-	15.4
No. of Hoist Lines	3	2	2	2
DS	831	832	833	834

DS = operating mode switch on PAT-console

Luffing mast 49.0 ft
 EE = 10

²⁾ min. weight of hook block 4000 lb (3 sheaves)