

14/98

Articulating Crane



► 14/98 Articulating Crane

Increase your productivity with the IMT® 14/98 articulating crane. With a max lifting capacity of 11,025 lb (5000 kg) and a horizontal boom reach of up to 56.5 ft (17.2 m), this crane makes loading and unloading easy — even when the work site is full of obstacles. Plus, it can stow within itself, freeing up payload space for additional materials. Purposeful technology makes the 14/98 lift more, reach farther, and last longer — so you can stick to your schedule, stay under budget, and move on to the next project.



14/98SL Specifications

	1 - Hydraulic	2 - Hydraulic	3 - Hydraulic	4 - Hydraulic	5 - Hydraulic	6 - Hydraulic
Crane Rating*	97,645 ft-lb (13.5 tm)	94,030 ft-lb (13 tm)	91,135 ft-lb (12.6 tm)	88,245 ft-lb (12.2 tm)	85,350 ft-lb (11.8 tm)	83,180 ft-lb (11.5 tm)
Max Horizontal Reach	20' 4" (6.2 m)	27' 3" (8.3 m)	34' 1" (10.4 m)	41' 8" (12.7 m)	48' 11" (14.9 m)	56' 5" (17.2 m)
Max Vertical Reach	28' 7" (8.7 m)	35' 5" (10.8 m)	42' 4" (12.9 m)	49' 10" (15.2 m)	57' 1" (17.4 m)	64' 8" (19.7 m)
Max Capacity	11,025 lb (5000 kg)	10,580 lb (4800 kg)	10,580 lb (4800 kg)	9920 lb (4500 kg)	9700 lb (4400 kg)	9480 lb (4300 kg)
Max Cap @ Max Reach	4785 lb (2170 kg)	3395 lb (1540 kg)	2450 lb (1110 kg)	1765 lb (800 kg)	1280 lb (580 kg)	925 lb (420 kg)
Crane Weight **	2890 lb (1310 kg)	3195 lb (1450 kg)	3505 lb (1590 kg)	3805 lb (1725 kg)	4070 lb (1845 kg)	4275 lb (1940 kg)
Hook Approach						
Vertical	9' 1" (2.76 m)	8' 11" (2.71 m)	8' 7" (2.62 m)	8' 4" (2.53 m)	8' 0" (2.44 m)	7' 9" (2.35 m)
Horizontal	2' 5" (0.74 m)	2' 7" (0.79 m)	2' 9" (0.84 m)	2' 11" (0.89 m)	3' 1" (0.94 m)	3' 3" (1 m)
Center of Gravity - Stored						
Vertical	2' 4" (700 mm)	2' 5" (730 mm)	2' 6" (755 mm)	2' 7" (785 mm)	2' 8" (805 mm)	2' 8" (820 mm)
Horizontal (C/L Rotation to Bridge)	13.4" (340 mm)	13.2" (335 mm)	12.8" (325 mm)	12" (305 mm)	11.4" (290 mm)	11" (280 mm)

14/98DL Specifications

	1 - Hydraulic	2 - Hydraulic	3 - Hydraulic	4 - Hydraulic	5 - Hydraulic	6 - Hydraulic
Crane Rating*	97,645 ft-lb (13.5 tm)	94,030 ft-lb (13 tm)	91,135 ft-lb (12.6 tm)	88,245 ft-lb (12.2 tm)	85,350 ft-lb (11.8 tm)	83,180 ft-lb (11.5 tm)
Max Horizontal Reach	20' 4" (6.2 m)	27' 3" (8.3 m)	34' 1" (10.4 m)	41' 8" (12.7 m)	48' 11" (14.9 m)	56' 5" (17.2 m)
Max Vertical Reach	28' 7" (8.7 m)	35' 5" (10.8 m)	42' 4" (12.9 m)	49' 10" (15.2 m)	57' 1" (17.4 m)	64' 8" (19.7 m)
Max Capacity	11,885 lb (5390 kg)	11,550 lb (5240 kg)	11,025 lb (5000 kg)	10,540 lb (4780 kg)	10,095 lb (4580 kg)	9,700 lb (4400 kg)
Max Cap @ Max Reach	4785 lb (2,170 kg)	3375 lb (1530 kg)	2425 lb (1100 kg)	1765 lb (800 kg)	1280 lb (580 kg)	925 lb (420 kg)
Crane Weight **	3000 lb (1,360 kg)	3305 lb (1,500 kg)	3615 lb (1640 kg)	3915 lb (1775 kg)	4180 lb (1895 kg)	4390 lb (1990 kg)
Hook Approach						
Vertical	9' 1" (2.76 m)	8' 11" (2.71 m)	8' 7" (2.62 m)	8' 4" (2.53 m)	8' 0" (2.44 m)	7' 9" (2.35 m)
Horizontal	2' 5" (0.74 m)	2' 7" (0.79 m)	2' 9" (0.84 m)	2' 11" (0.89 m)	3' 1" (0.94 m)	3' 3" (1 m)
Center of Gravity - Stored						
Vertical	2' 4" (700 mm)	2' 5" (730 mm)	2' 6" (755 mm)	2' 7" (785 mm)	2' 7" (805 mm)	2' 8" (820 mm)
Horizontal (C/L Rotation to Bridge)	12.2" (310 mm)	12" (305 mm)	11.8" (300 mm)	11.2" (285 mm)	10.6" (270 mm)	10.2" (260 mm)

* Crane rating (ft-lb) is the rated load (lb) multiplied by the respective distance (ft) from centerline of rotation with all extensions retracted and the inner and outer booms in a horizontal position, per ANSI B30.22. ** Crane weight does not include stabilizers.

Standard Features

- Application-specific product offering
- Superior lift-to-weight ratio
- Long-reach capabilities
- Hexagonal booms for superior reach and maximum control
- Internal hose routing
- 15° overbending on outer boom

Options

- Radio remote control
- Various stabilizer configurations
- Double link arm system
- Boom mounted winch
- Floodlight on outer boom
- Boom tip functions for hydraulic attachments
- Oil cooler

Specifications

Stabilizer Pad Diameter	6" (160 mm)
Crane Storage Height	7' 4" (2245 mm)
Mounting Space *	2' 8" (820 mm)
Rotational Torque	14,465 ft-lb (2 tm)
Rotation	400°
Optimum Pump Performance	13.2 gpm (50 L/min)
System Pressure	4785 psi (330 bar)
Oil Reservoir Capacity	23.8 gal (90 L)
Stabilizer Extension Span	
Standard (manual out/hydraulic down)	15' 2" (4615 mm)
Weight	440 lb (200 kg)
Opt. 1 (manual out/hydraulic down)	18' 4" (5590 mm)
Weight	560 lb (254 kg)
Opt. 2 (hydraulic out/hydraulic down)	21' 3" (6470 mm)
Weight	640 lb (290 kg)

* Maximum swing clearance radius required is 24" (600 mm) at 7' 10" (2375 mm) from top of chassis frame.

Minimum Chassis Specifications

Front Axle Rating (GAWR)	12,000 lb (5445 kg)
Rear Axle Rating (GAWR)	21,000 lb (9525 kg)
Resistance to Bending Moment Minimum	1,850,000 in-lb (213,145 kg-m)

Hexagonal Boom Design

A wide hexagonal profile with large bearing surfaces ensures greater strength and stability for horizontal and vertical spans — even when working in extreme positions with long reaches. Plus, it's protected by powdercoat paint that never fades, flakes, or corrodes.



Internal Hose Routing

Fed internally through protective nylon drag chains or roller guides, all hoses are equipped with sturdy, high-pressure swivel couplings to prevent them from twisting.



Overbending

Overbending between the main boom and jib provides greater flexibility when working under power wires and more potential for high lifting in narrow passages. It also lowers the total height when the loader is stowed over the truck body.

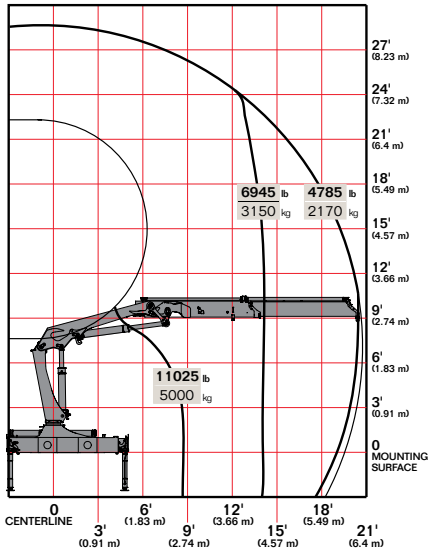


Stow Bracket Innovation

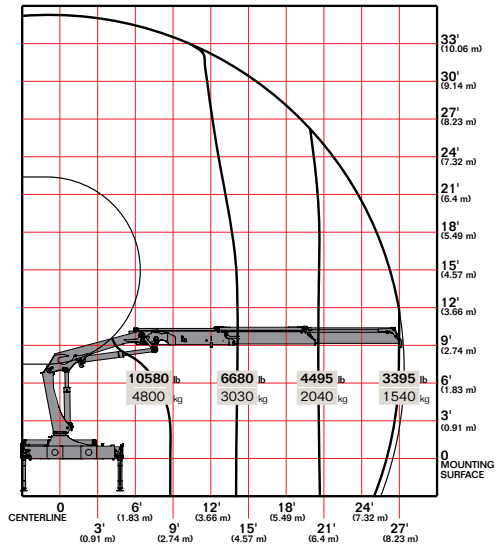
The stow bracket is designed to secure the boom for transport position but not allow for bracket damage. Unlike systems with rigid fixed brackets, the "J" hook will pivot if an incorrect movement is attempted.

► 14/98SL Capacity Charts

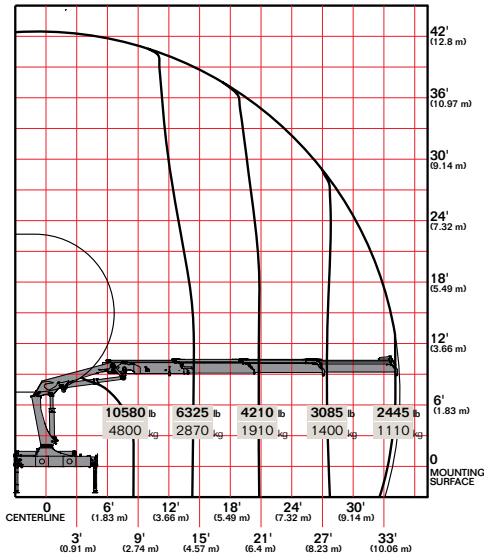
14/98SL K1



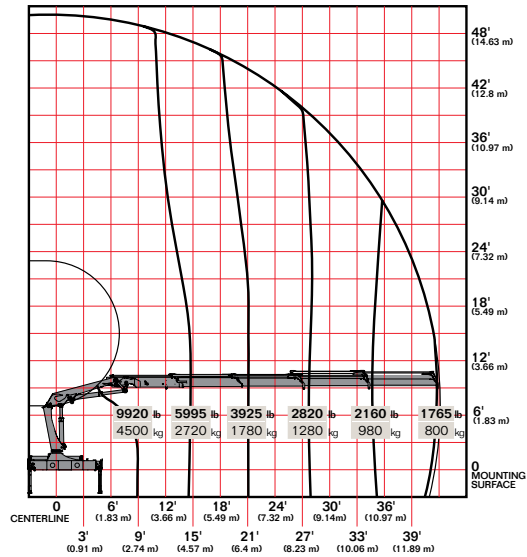
14/98SL K2



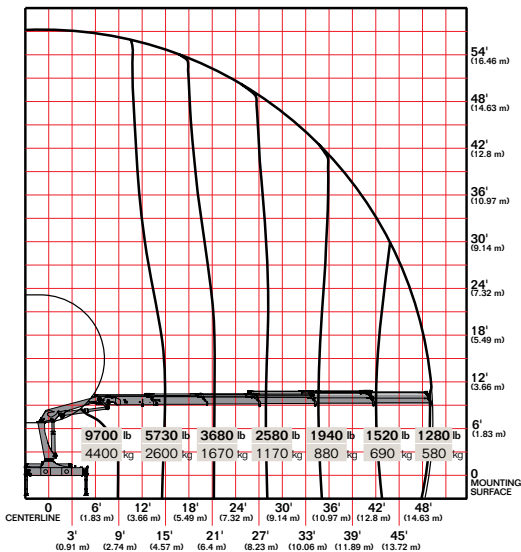
14/98SL K3



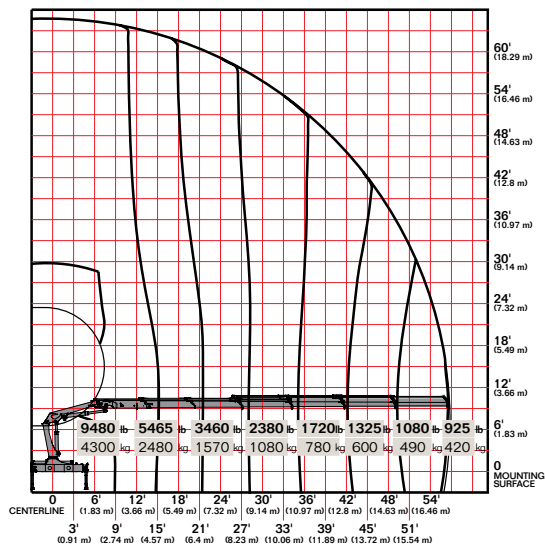
14/98SL K4



14/98SL K5



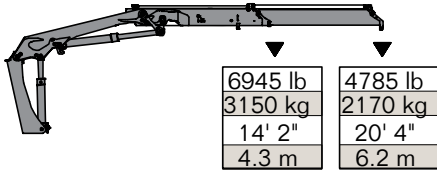
14/98SL K6



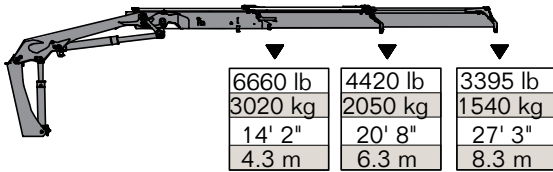
Limit working loads to those shown. Deduct the weight of load-handling devices.

► 14/98SL Lifting Capacity

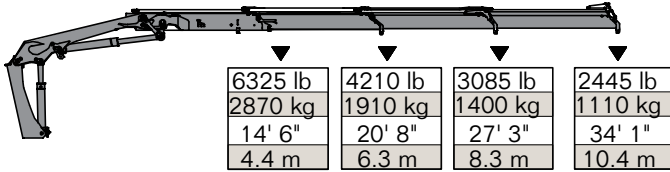
14/98SL - 1 Hydraulic



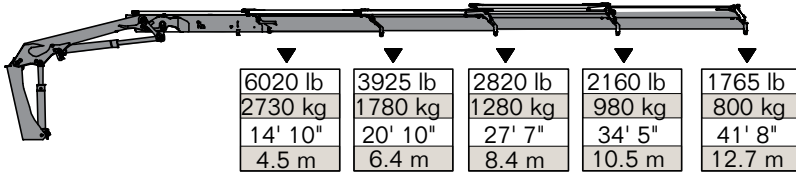
14/98SL - 2 Hydraulic



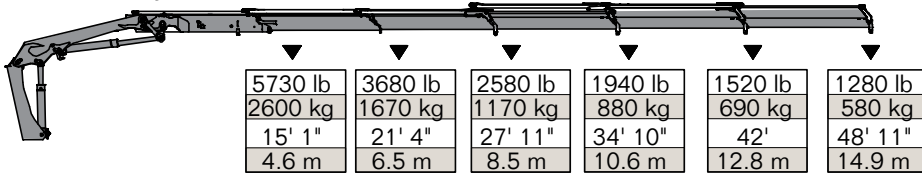
14/98SL - 3 Hydraulic



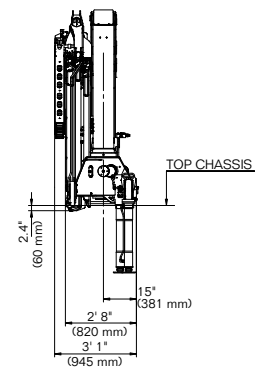
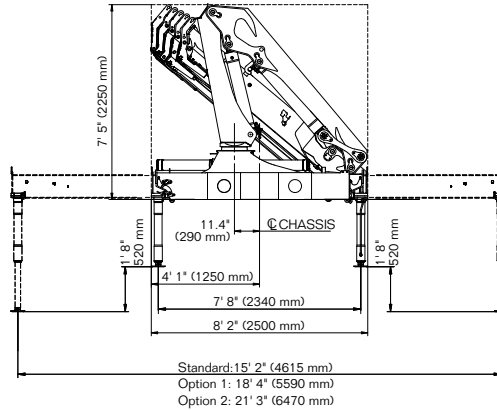
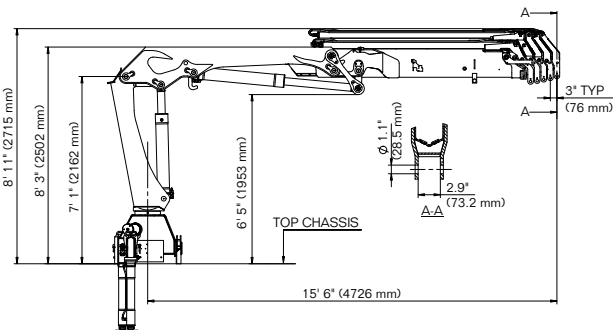
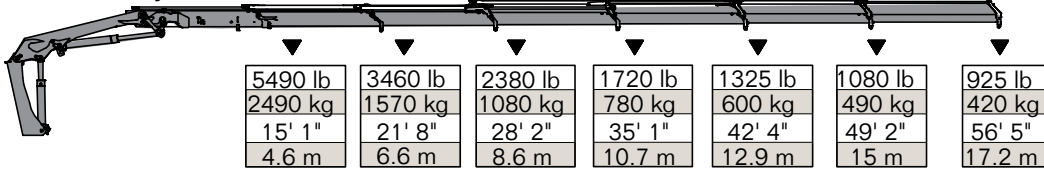
14/98SL - 4 Hydraulic



14/98SL - 5 Hydraulic

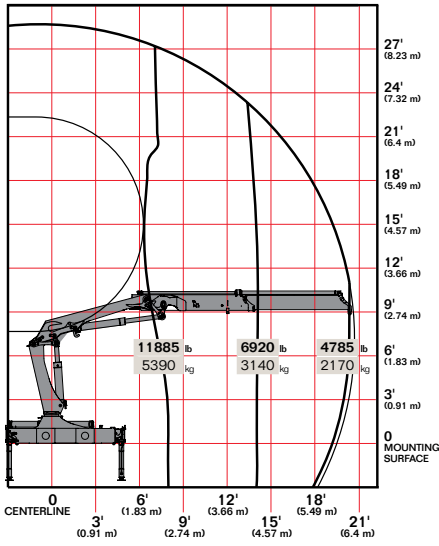


14/98SL - 6 Hydraulic

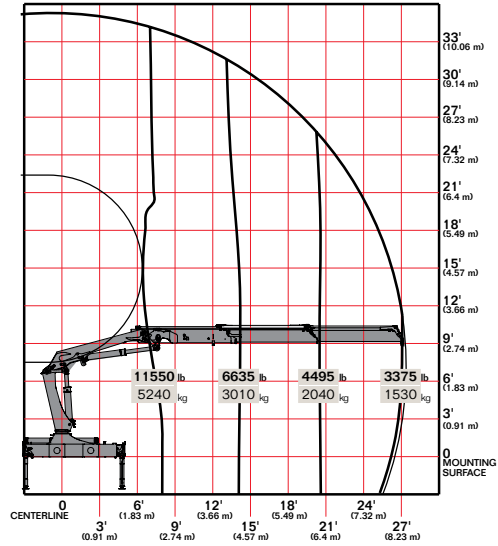


► 14/98DL Capacity Charts

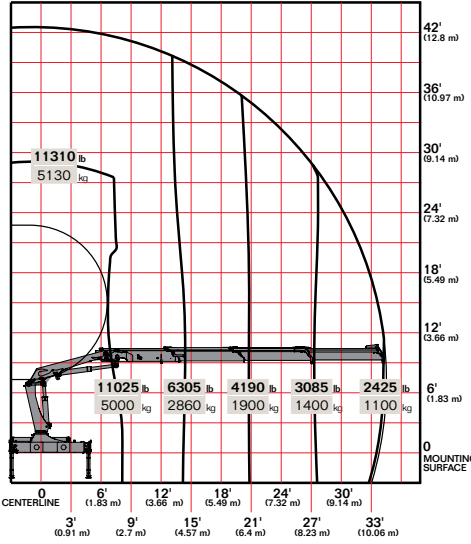
14/98DL K1



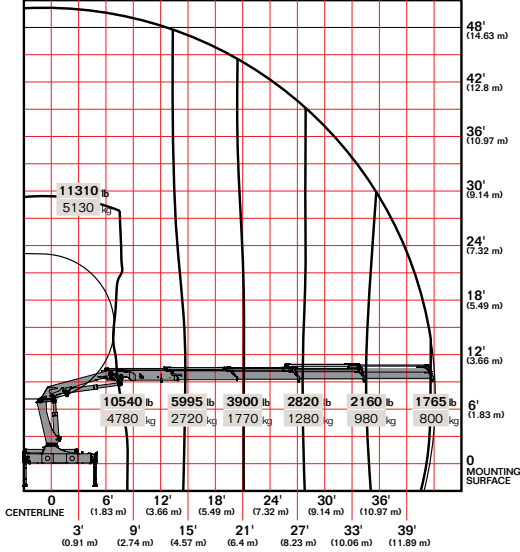
14/98DL K2



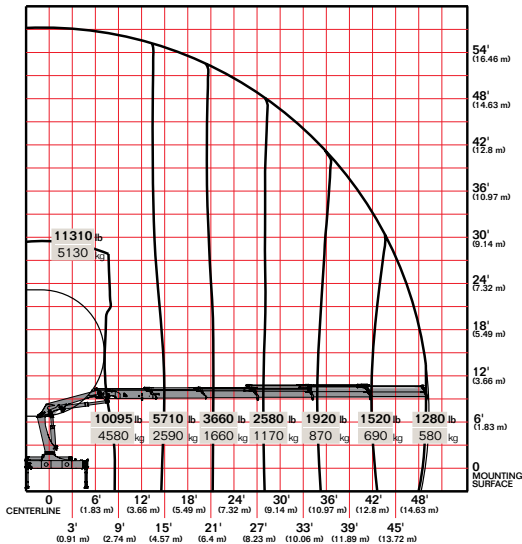
14/98DL K3



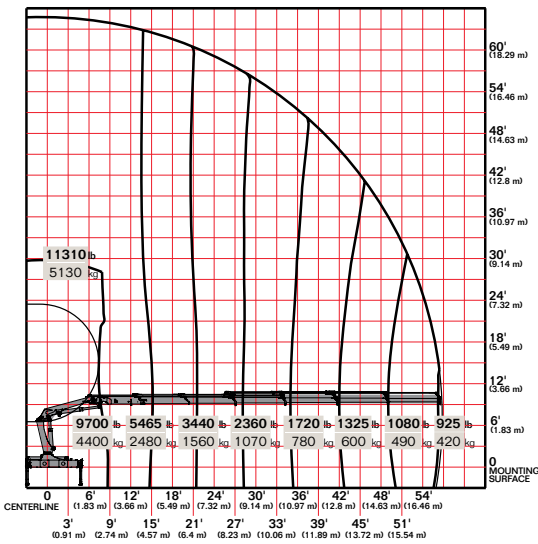
14/98DL K4



14/98DL K5



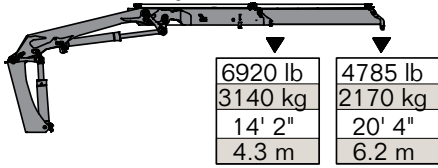
14/98DL K6



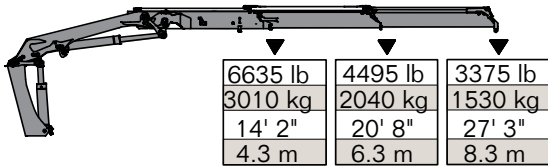
Limit working loads to those shown. Deduct the weight of load-handling devices.

▶ 14/98DL Lifting Capacity

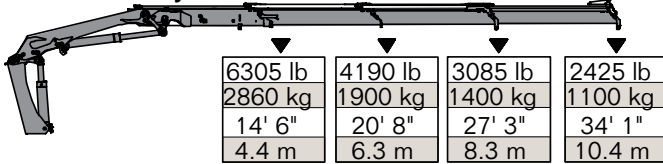
14/98DL - 1 Hydraulic



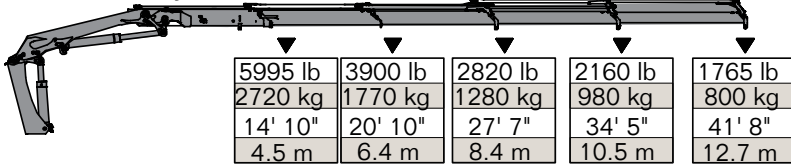
14/98DL - 2 Hydraulic



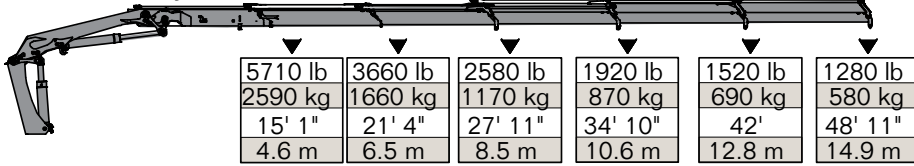
14/98DL - 3 Hydraulic



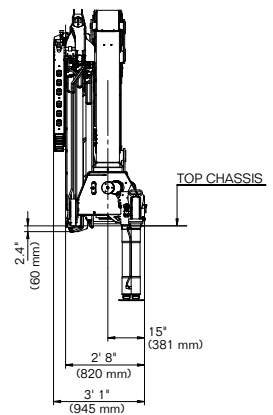
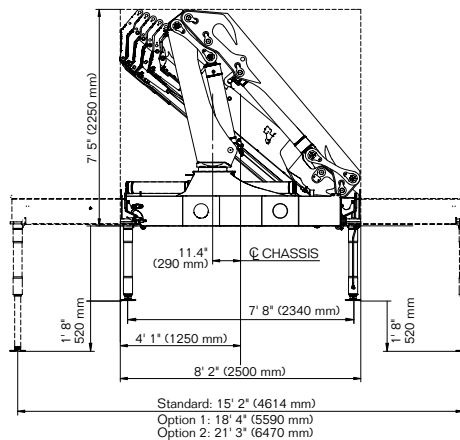
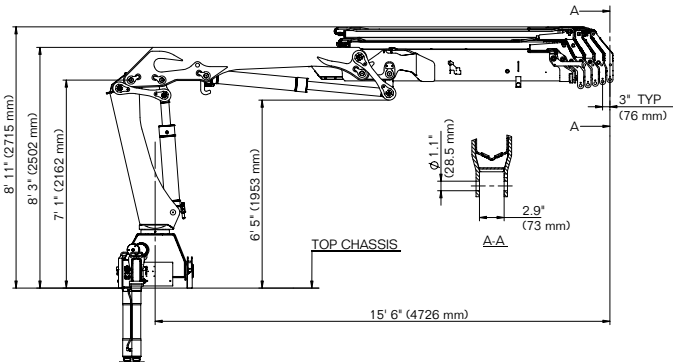
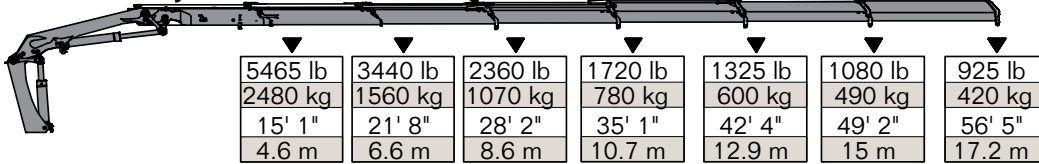
14/98DL - 4 Hydraulic



14/98DL - 5 Hydraulic



14/98DL - 6 Hydraulic



Power Source

- Standard integral-mounted piston hydraulic pump and PTO application

Cylinder Holding Valves

- Integral-mounted counterbalance valves or load-holding check valves
- Prevention of sudden cylinder collapse in case of hose failure

Rotation System

- 400 degree rack and pinion
- 14,465 ft-lb (2 tm) rotational torque
- Counterbalance valve on each cylinder to stop motion in case of hose failure

Hydraulic System

- Open-centered system — closed optional
- Regeneration system on extension cylinder to ensure quick deployment
- Hydraulic oil reservoir, air breather, replaceable return-line filter, and control valve with levers

Overload System

- Load-limiting capability for boom functions
- Rated capacity limitation (RCL) 5300 blocks load-increasing functions when full capacity is attained



Nothing Says Commitment Like The Diamond.™

IMT has been meeting the needs of our customers for over 50 years and none of it would have been possible without a distributor network that's second to none. IMT distributors offer fast, knowledgeable service and the ability to help customers find the right product for every application. When you're looking for reliable equipment and dependable service, remember IMT.



An Oshkosh Corporation Company

Iowa Mold Tooling Co., Inc.

500 Highway 18 West
Garner, Iowa 50438
800-247-5958 • www.imt.com

IMT reserves the right to make changes in engineering, design, and specifications; add improvements; or discontinue manufacturing at any time without notice or obligation. IMT, the IMT logo, Dominator and NOTHING SAYS COMMITMENT LIKE THE DIAMOND are registered trademarks or trademarks of Iowa Mold Tooling Co., Inc., Garner, IA, USA.

© 2012 Iowa Mold Tooling Co., Inc. All Rights Reserved.

09/12