

**SPIERINGS**

MOBILE CRANES

Make: **SPIERINGS**Type: **SK2400-R****LM1****Crane specification (Jib length 42 m)**

Strength / stability : as per EN 13001	<b>18,0 tonne</b>	<b>13,5 m</b>	<b>243 tm</b>	<b>42 m</b>
Stability : as per ISO 4305				
Classification : as per ISO 4301-2.A4				

Serial Number Year of construction **Max. speed** Jib horizontal / 30° luffed

	m/min	kg		0 - 70 m/min
	10	18000		
	20	9000		0-0,9 r/min
	30	4500		
	50	2250		
75	0			

All motions with hydraulic proportional controls.  
Luffing the jib 30° can be controlled from crane cab or by remote control.

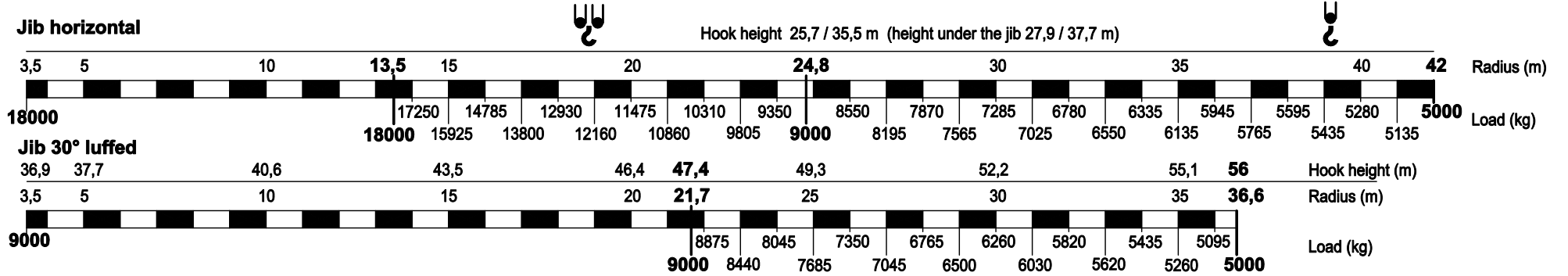
Counterweight Crane : 23880 kg.  
Continuous slewing of the crane (360°) with the outriggers out and support pads down.  
Crane can be driven in its erected position under special conditions (refer user guide).  
The crane should be folded in at wind force 10 (Bf) (24 m/sec) or when not in use for a longer period.

Rated lifting capacity is net capacity.  
Max. line pull force : 4500 kg.  
2 parts of line : 9000 kg.  
4 parts of line : 18000 kg.  
Sail area of the load max.: 1,0 m²/ ton.  
Operating temperature range from: -15°C till +40°C.

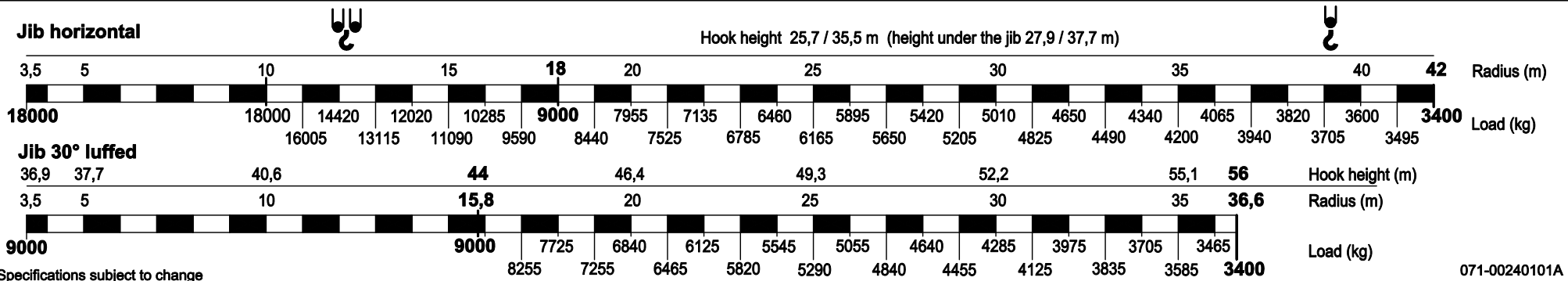
Outriggers positioned according to lifting chart  
Outrigger support base : 8,14 x 7,66 m.  
Operation allowed up to wind force 8 Bf (17 m/s)  
Outrigger support base : 8,14 x 5,88 m.  
Operation allowed up to wind force 8 Bf (17 m/s)  
Max. outrigger force: 600 kN.  
In work: tracks of the ground

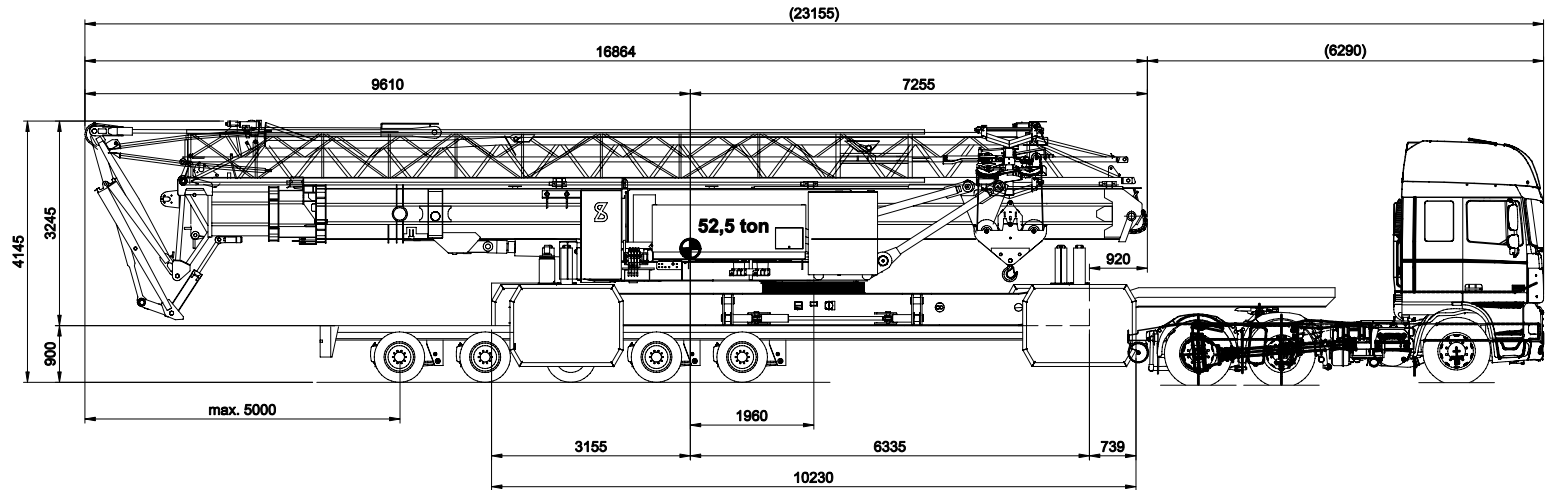
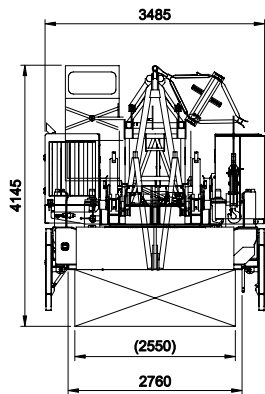
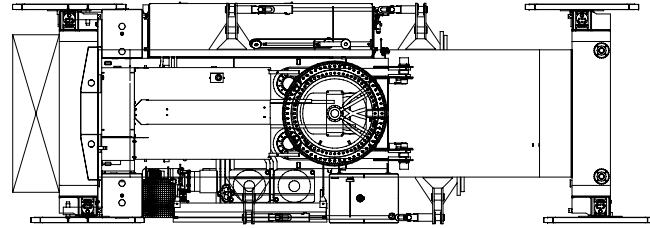
**LIFTING CHART****Outrigger support base 8,14 m x 7,66 m**

(up to wind force 8 on the Beaufort scale (17 m/sec))

**LIFTING CHART****Outrigger support base 8,14 m x 5,88 m**

(up to wind force 8 on the Beaufort scale (17 m/sec))



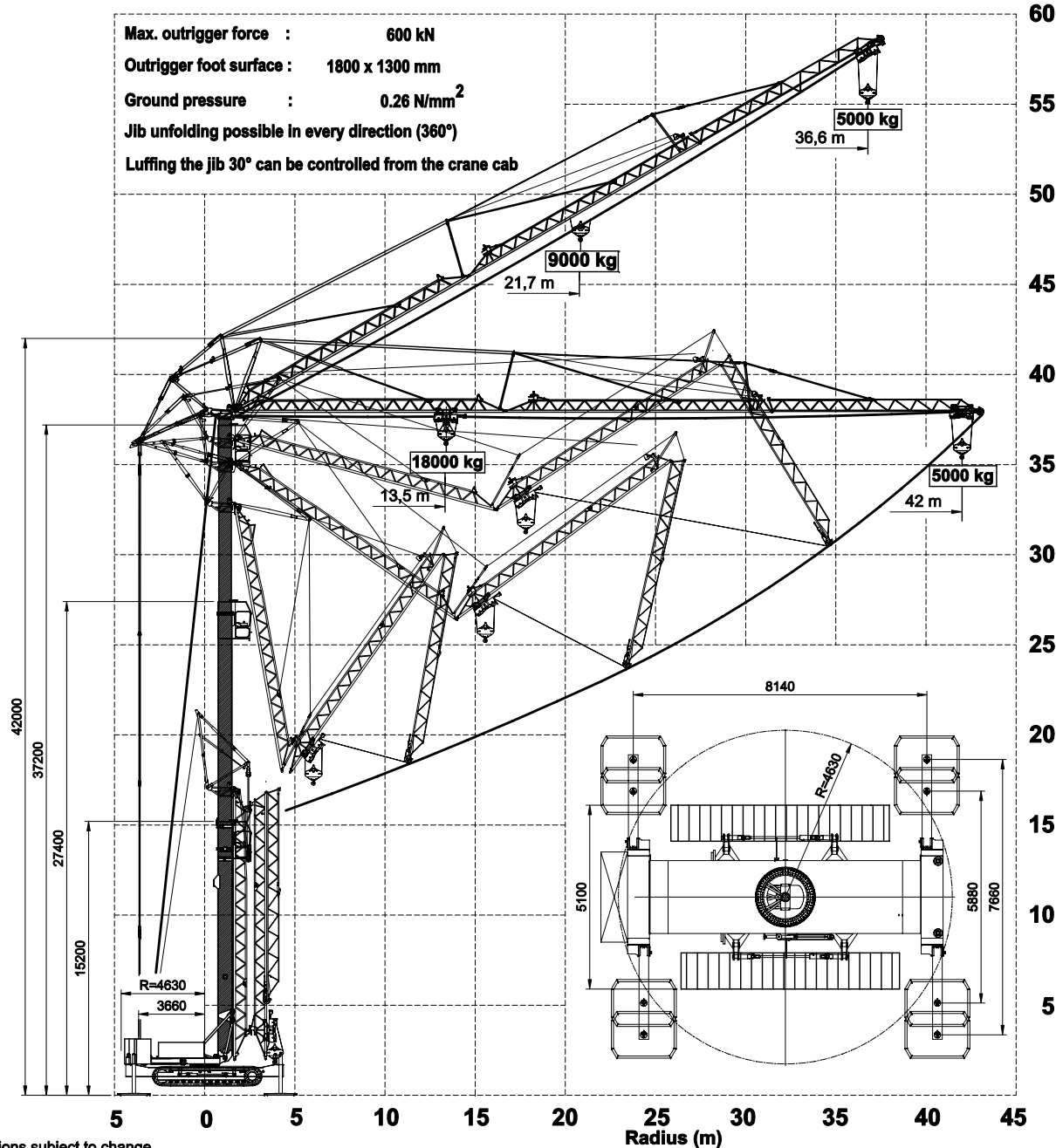


## SPIERINGS HYDRAULIC TRACK FOLDING CRANE SK 2400 - R

 **SPIERINGS**  
 MOBILE CRANES  
 Merwedestraat 15  
 5347 KZ Oss NL  
 Tel. +31 (0)412-626964  
 Fax +31 (0)412-645299  
[www.spieringscranes.com](http://www.spieringscranes.com)

071-00240102

Max. outrigger force : 600 kN  
 Outrigger foot surface : 1800 x 1300 mm  
 Ground pressure : 0.26 N/mm<sup>2</sup>  
 Jib unfolding possible in every direction (360°)  
 Luffing the jib 30° can be controlled from the crane cab



# SPIERINGS

## HYDRAULIC FOLDING CRANE

### SK2400-R

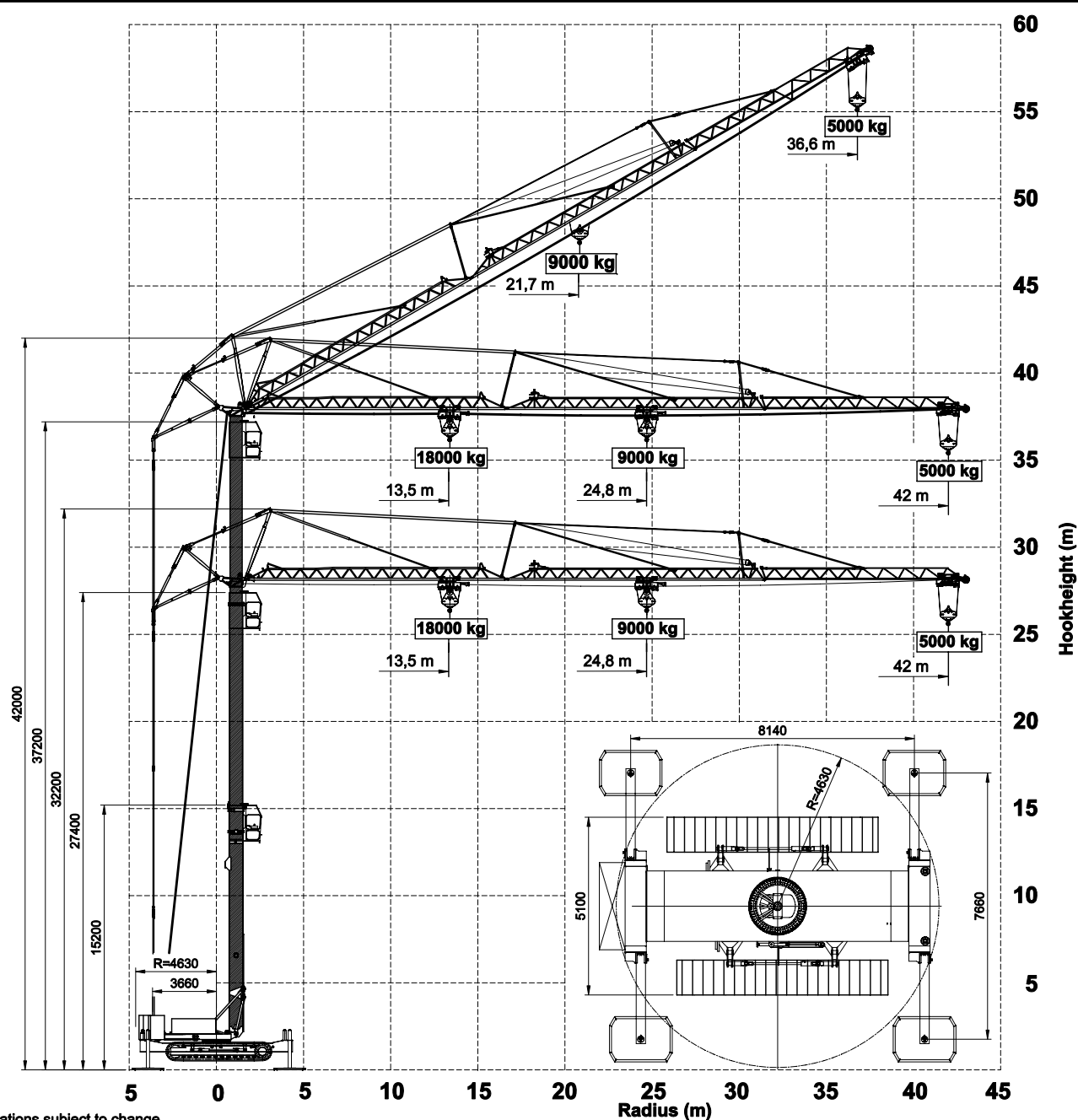
Erection procedure of the crane


**SPIERINGS**  
 MOBILE CRANES  
 Merwedestraat 15  
 5347 KZ Oss NL  
 Tel. +31 (0)412-626964  
 Fax +31 (0)412-645299  
 www.spieringscranes.com

# SPIERINGS HYDRAULIC FOLDING CRANE SK2400-R

Lifting specifications

Outrigger support base: 8,14 m x 7,66 m



**SPIERINGS**

MOBILE CRANES

Merwedestraat 15

5347 KZ Oss NL

Tel. +31 (0)412-626964

Fax +31 (0)412-645299

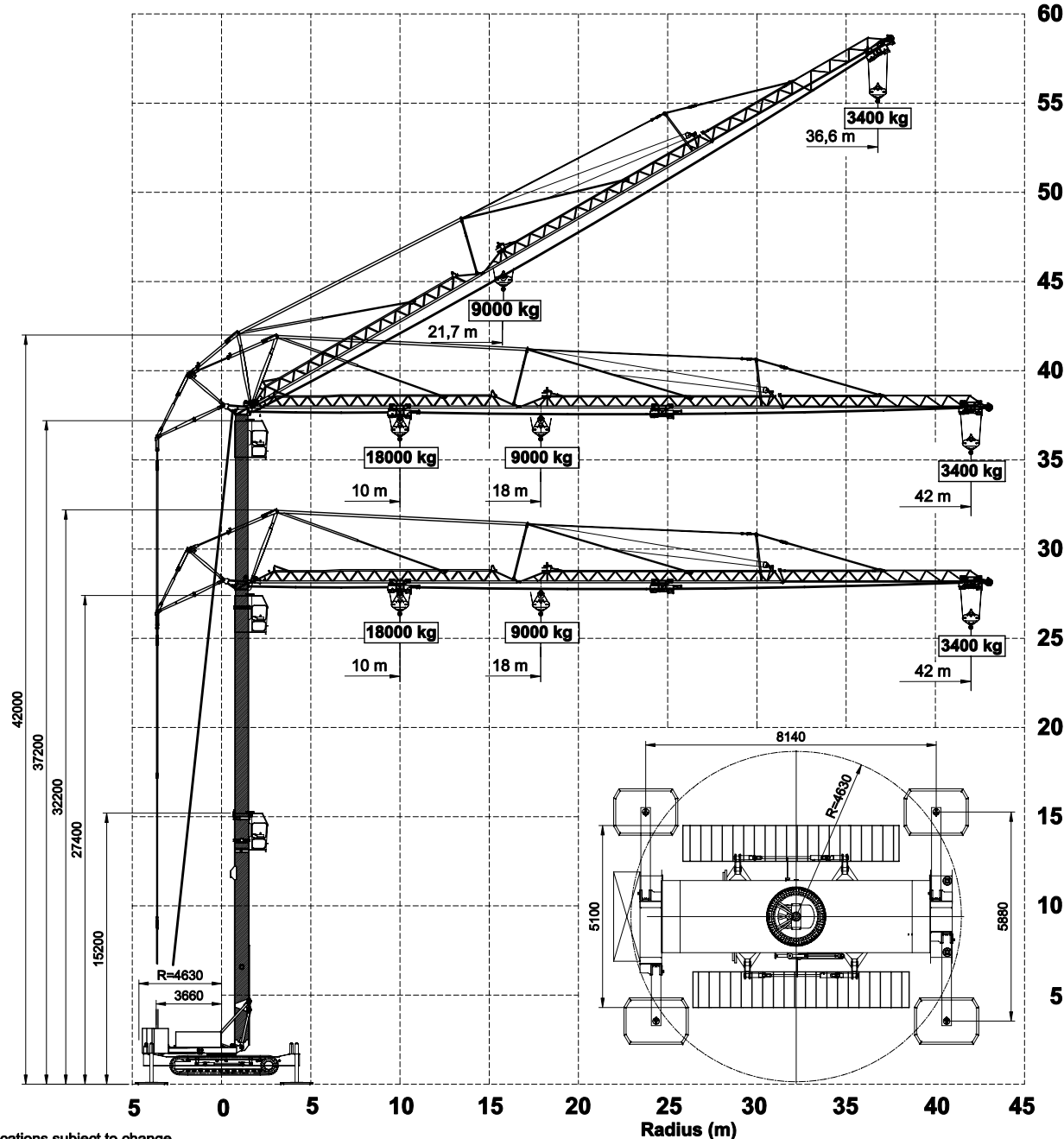
www.spieringscranes.com

071-00240104

# SPIERINGS HYDRAULIC FOLDING CRANE SK2400-R

Lifting specifications

Outrigger support base: 8,14 m x 5,88 m



Hook height (m)

Radius (m)

 **SPIERINGS**  
MOBILE CRANES

Merwedestraat 15  
5347 KZ Oss NL  
Tel. +31 (0)412-626964  
Fax +31 (0)412-645299  
www.spieringscranes.com

071-00240105

**SPIERINGS**

MOBILE CRANES

Make: **SPIERINGS**Type: **SK2400-R****LM2****Crane specification (Jib length 42 m)**

Strength / stability : as per EN 13001  
 Stability : as per ISO 4305  
 Classification : as per ISO 4301-2.A4

Max. load  
**18,0 tonne**

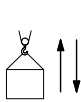
Max. radius  
 with max. load  
**14,6 m**

Max. capacity  
**263 tm**

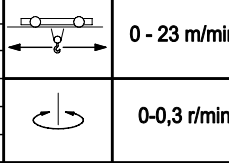
Max.  
 jib length  
**42 m**

Serial Number Year of construction 

Max. speed Jib horizontal / 30° luffed



m/min	kg
3,3	18000
6,6	9000
10	4500
16	2250
23	0



Hoist and trolley movements are not possible at the same time.  
 Reduced crane speeds (1/3 nominal).  
 All motions with hydraulic proportional controls.  
 Luffing the jib 30° can be controlled from crane cab or by remote control.

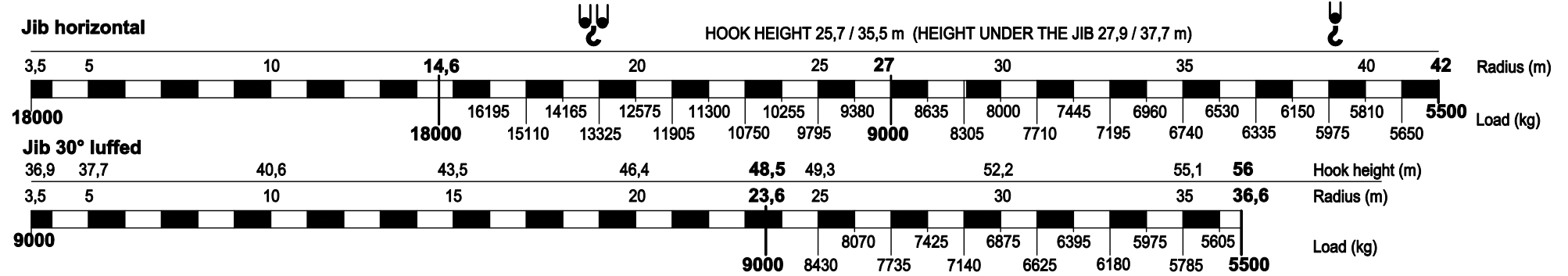
Counterweight Crane: 23880 kg.  
 Continuous slewing of the crane (360°) with the outriggers out and support pads down.  
 Crane can be driven in its erected position under special conditions (refer user guide).  
 The crane should be folded in at wind force 10 (Bf) (24 m/sec) or when not in use for a longer period.

Rated lifting capacity is net capacity.  
 Max. line pull force : 4500 kg.  
 2 parts of line : 9000 kg.  
 4 parts of line : 18000 kg.  
 Sail area of the load max.: 1,0 m²/ ton.  
 Operating temperature range from:  
 -15°C till +40°C.

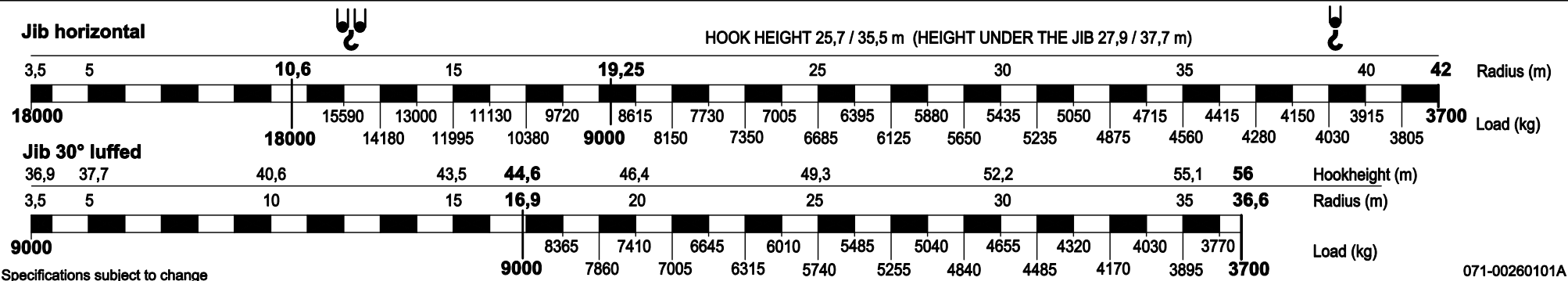
Outriggers positioned according to lifting chart  
 Outrigger support base : 7,95 x 7,63 m.  
 Operation allowed up to wind force 7 Bf (14 m/s)  
 Outrigger support base : 7,95 x 5,72 m.  
 Operation allowed up to wind force 7 Bf (14 m/s)  
 Max. outrigger force: 615 kN.  
 In work: tracks free of the ground.

**LIFTING CHART****Outrigger support base 8,14 m x 7,66 m**

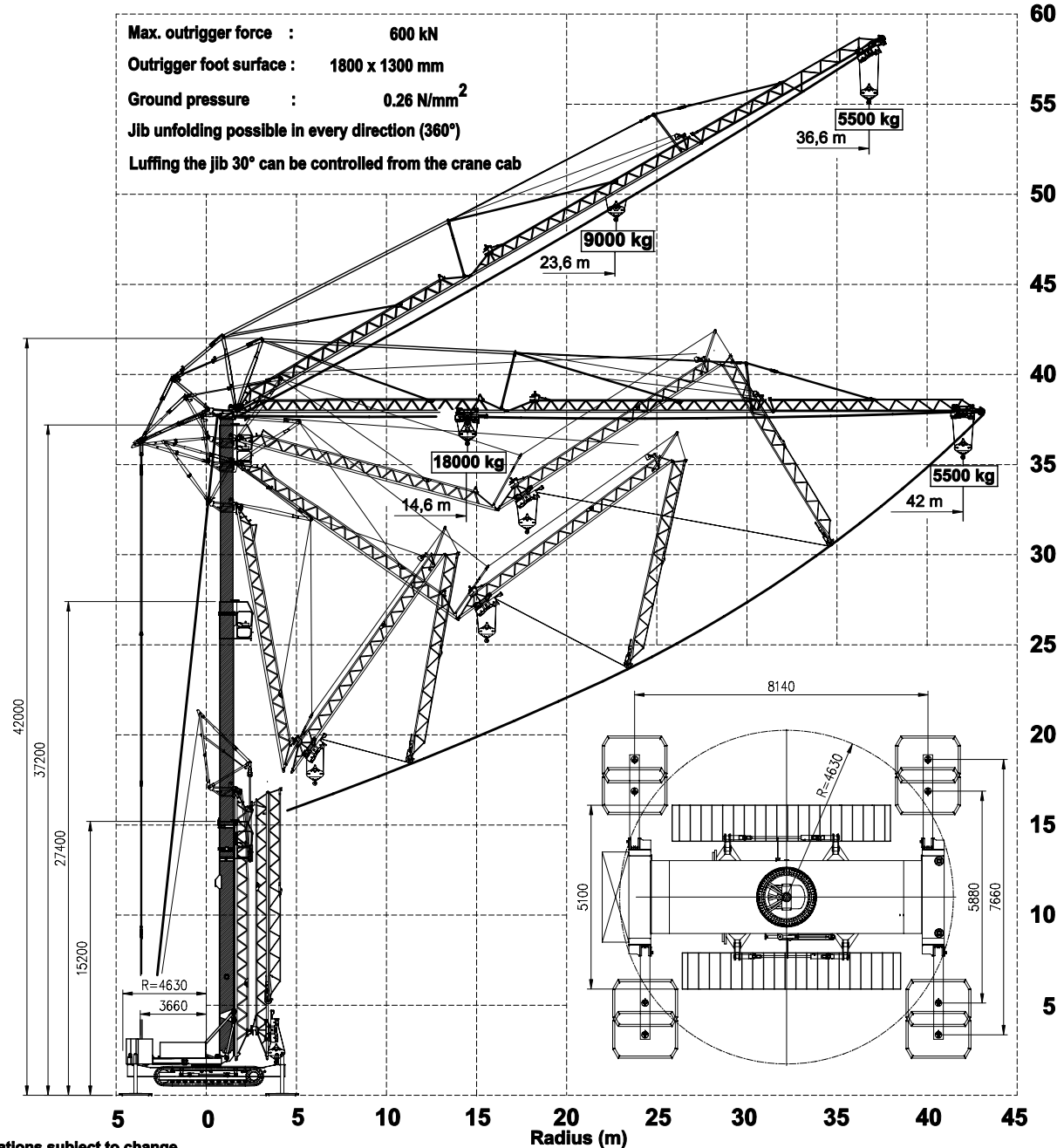
up to wind force 7 on the Beaufort scale (14 m/sec)

**LIFTING CHART****Outrigger support base 8,14 m x 5,88 m**

up to wind force 7 on the Beaufort scale (14 m/sec)



Max. outrigger force : 600 kN  
 Outrigger foot surface : 1800 x 1300 mm  
 Ground pressure : 0.26 N/mm<sup>2</sup>  
 Jib unfolding possible in every direction (360°)  
 Luffing the jib 30° can be controlled from the crane cab



# SPIERINGS

## HYDRAULIC FOLDING CRANE

### SK2400-R

Hoist and trolley movements aren't possible at the same time  
 Reduced crane speeds ( 1/3 nominal)

Erection procedure of the crane


**SPIERINGS**  
 MOBILE CRANES  
 Merwedestraat 15  
 5347 KZ Oss NL  
 Tel. +31 (0)412-626964  
 Fax +31 (0)412-645299  
 www.spieringscranes.com

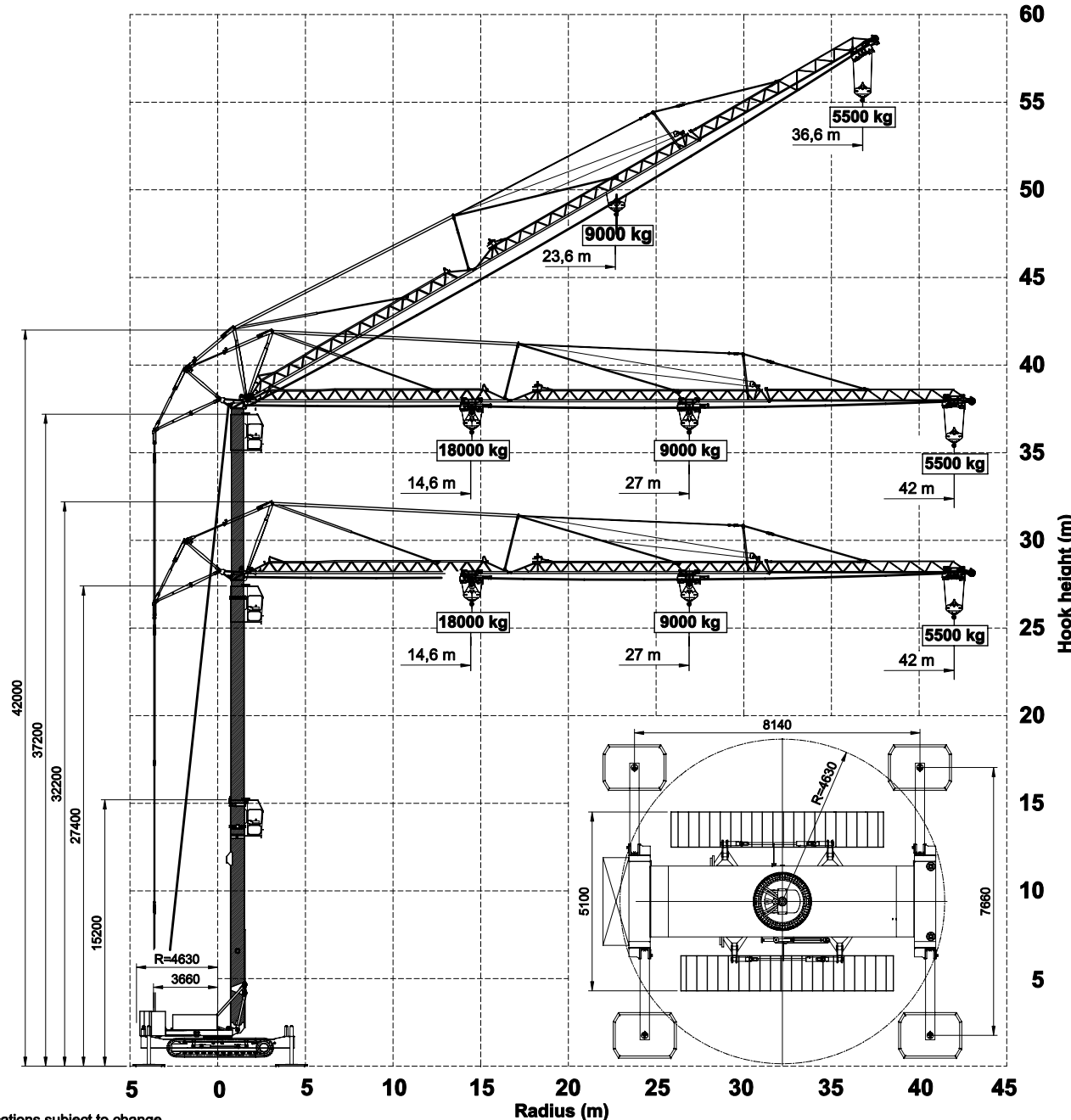
071-00260103

# SPIERINGS HYDRAULIC FOLDING CRANE SK2400-R

Lifting specifications

Outrigger support base: 8,14 m x 7,66 m

Hoist and trolley movements aren't possible at the same time  
Reduced crane speeds (1/3 nominal)



**SPIERINGS**

MOBILE CRANES

Merwedestraat 15

5347 KZ Oss NL

Tel. +31 (0)412-626964

Fax +31 (0)412-645299

www.spieringscranes.com

071-00260104

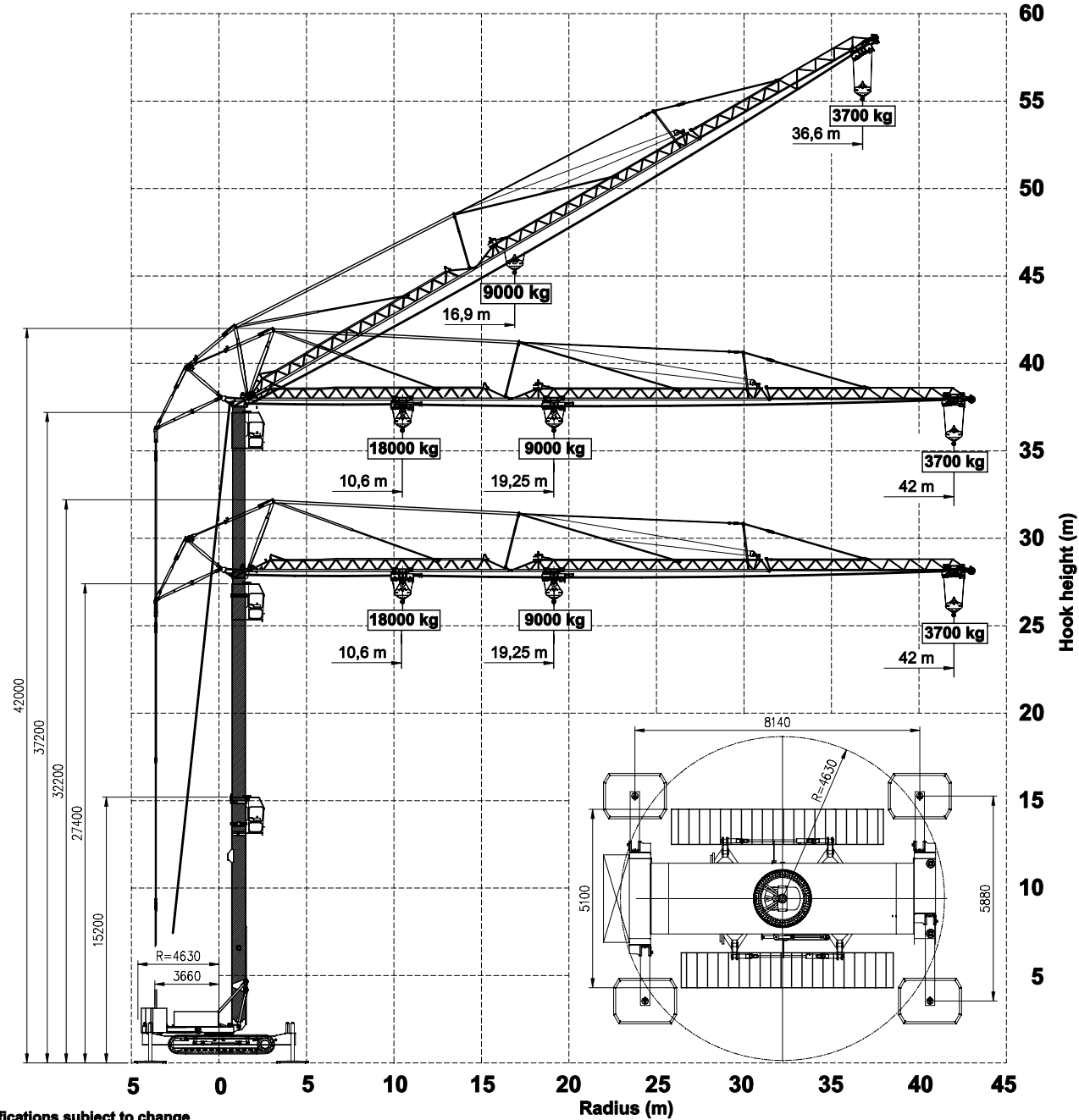


# SPIERINGS HYDRAULIC FOLDING CRANE SK2400-R

## Lifting specifications

Outrigger support base: 8,14 m x 5,88 m

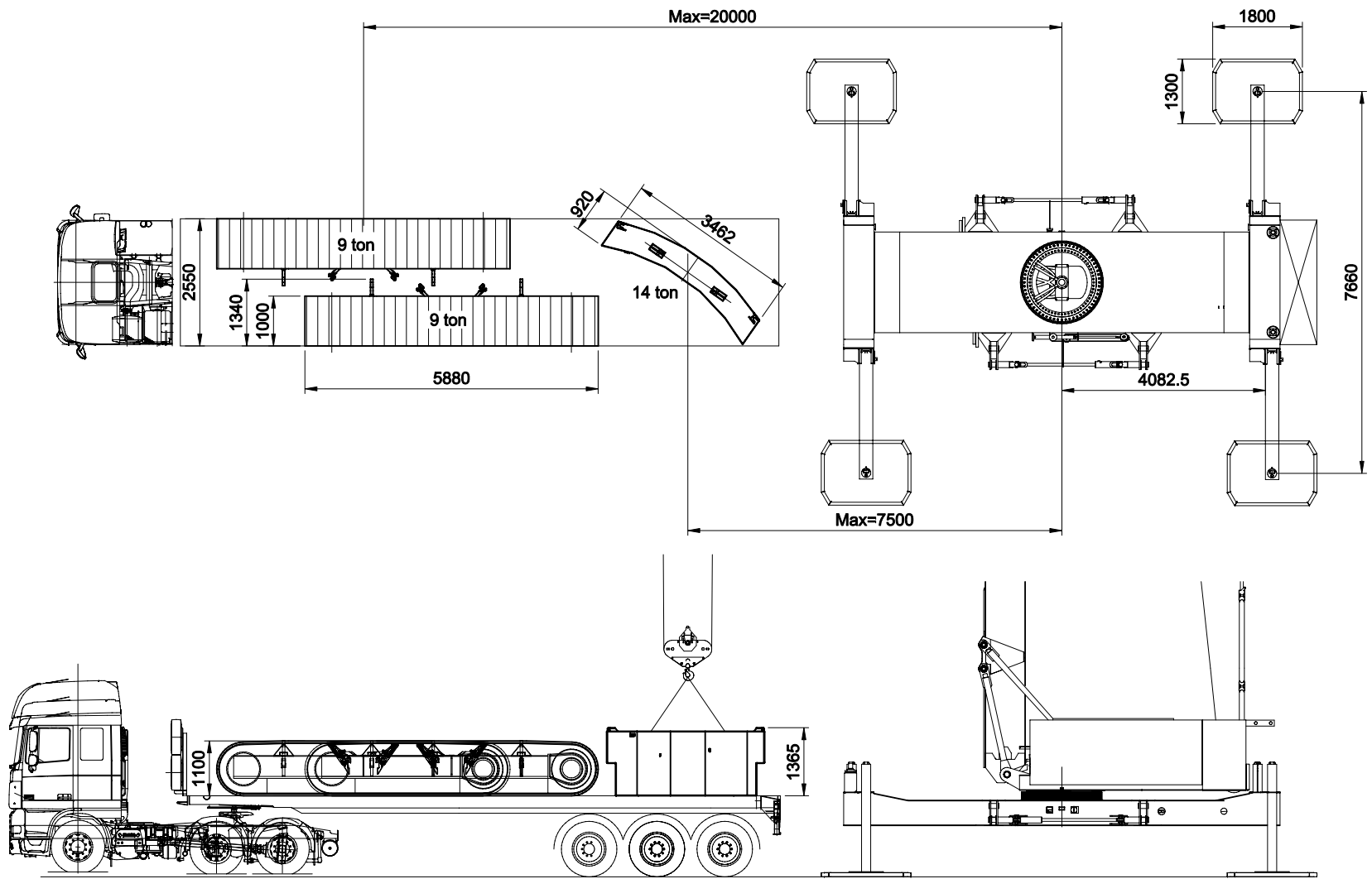
Hoist and trolley movements aren't possible at the same time  
Reduced crane speeds (1/3 nominal)



**SPIERINGS**  
MOBILE CRANES  
Merwedestraat 15  
5347 KZ Oss NL  
Tel. +31 (0)412-626964  
Fax +31 (0)412-645299  
www.spieringscranes.com

071-00260105

Specifications subject to change



# SPIERINGS HYDRAULIC TRACK FOLDING CRANE

## SK 2400 - R


**SPIERINGS**  
 MOBILE CRANES  
 Merwedestraat 15  
 5347 KZ Oss NL  
 Tel. +31 (0)412-626964  
 Fax +31 (0)412-645290  
[www.spieringscranes.com](http://www.spieringscranes.com)  
 071-00240106A