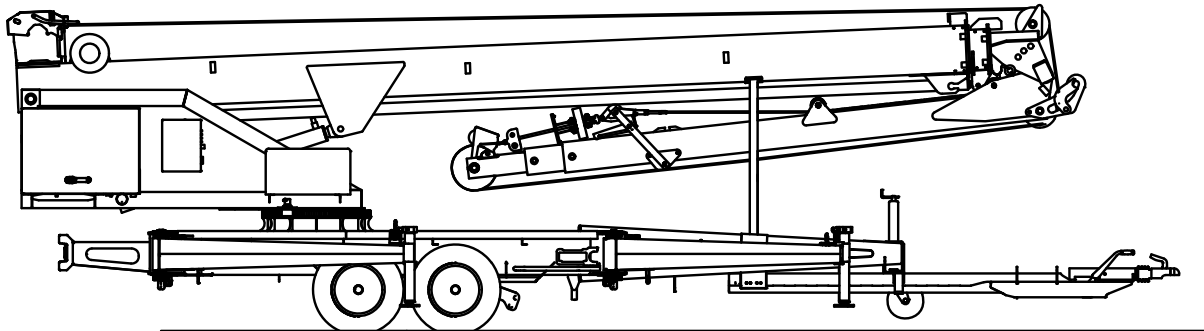


Böcker aluminium-trailer crane – AHK 30/1400

as at 07/2010



Description		Technical Data
Total length		9,00 m
Total width		2,20 m
Total height		2,60 m
Gross vehicle weight		3.500 kg
Max. erection angle telescope arm		85°
Jib length extended		9,10 m
Jib length retracted		4,80 m
Jib lockable at		165° / 150° / 135°
Max. extension length		30,00 m
Max. hook speed		55 m/min
Support area double-sided		LxW 5,40 x 5,40 m
Support area one-sided		LxW 7,30 x 3,75 m
Swivelling range		± 310°
Drive unit		Honda 24 hp petrol engine
Hydraulic unit		With variable displacement pump
Max. operation width	at 100 kg	24,90 m
	at 250 kg	18,80 m
	at 300 kg	16,60 m
	at 400 kg	13,20 m
	at 800 kg	7,50 m
	at 1000 kg	5,30 m
	at 1200 kg	4,00 m
	at 1400 kg	3,30 m

All rights reserved for changes in dimensions and construction!

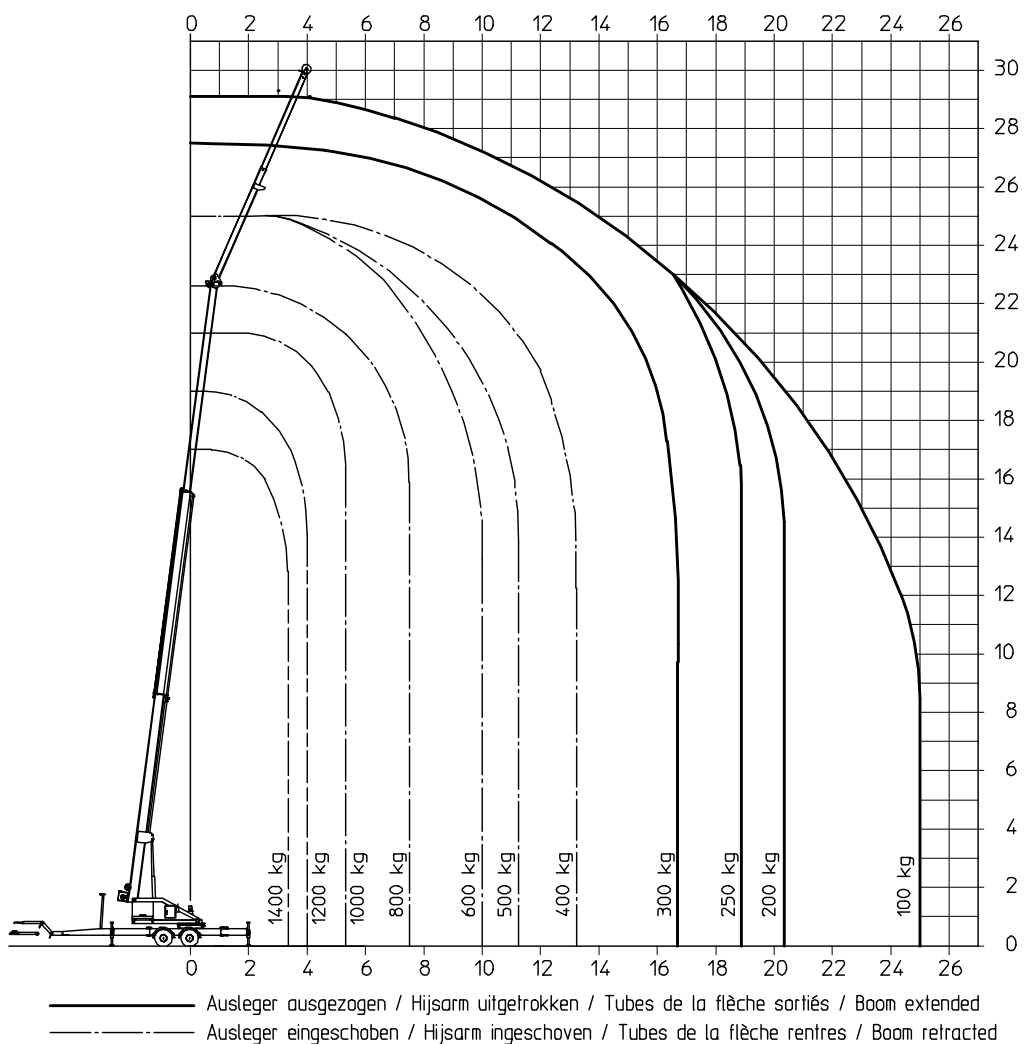
Böcker aluminium-trailer crane – AHK 30/1400

106016

AHK 30/1400

Stand 6.08

Arbeitsdiagramm Kran / Werkdiagram kraan /
Diagramme de travail grue / Operation diagram crane



Maße in Meter [m]. Maß- und Konstruktionsänderungen vorbehalten
 Afmetingen in metres [m]. Wijzigingen van de afmetingen en constructiewijzigingen voorbehouden.
 Mesures en mètre [m]. Indications et des constructions sous réserve.
 Dimensions in metre [m]. Böcker reserves the rights for alterations to dimensions and constructions.

All rights reserved for changes in dimensions and construction!