

# 11/78

Articulating Crane



## ► 11/78 Articulating Crane

IMT® 11/78 articulating cranes have a max lifting capacity of 9170 lb (4160 kg) and a maximum horizontal boom reach of 49 ft (15 m). That means an excellent lift-to-weight ratio for premium performance in tough environments. Whether your application requires heavy-duty lifting, long-reach capabilities, or controlled maneuverability, 11/78 cranes are perfect for virtually any project. Plus, convenient features and options not only make your job faster and easier — they make your job more efficient and profitable.



### 11/78SL Specifications

	1 - Hydraulic	2 - Hydraulic	3 - Hydraulic	4 - Hydraulic	5 - Hydraulic
<b>Crane Rating*</b>	77,395 ft-lb (10.7 tm)	75,500 ft-lb (10.3 tm)	72,330 ft-lb (10 tm)	70,160 ft-lb (9.7 tm)	67,990 ft-lb (9.4 tm)
<b>Max Horizontal Reach</b>	20' (6.1 m)	26' 11" (8.2 m)	34' 5" (10.5 m)	41' 8" (12.7 m)	49' 3" (15 m)
<b>Max Vertical Reach</b>	27' 5" (8.4 m)	34' 6" (10.5 m)	41' 10" (12.8 m)	46' 5" (15.1 m)	56' 9" (17.3 m)
<b>Max Capacity</b>	9170 lb (4160 kg)	8905 lb (4040 kg)	8355 lb (3790 kg)	7870 lb (3570 kg)	7430 lb (3370 kg)
<b>Max Cap @ Max Reach</b>	3945 lb (1790 kg)	2710 lb (1230 kg)	1920 lb (870 kg)	1390 lb (630 kg)	1015 lb (460 kg)
<b>Crane Weight **</b>	2570 lb (1165 kg)	2845 lb (1290 kg)	3085 lb (1400 kg)	3295 lb (1495 kg)	3485 lb (1580 kg)
<b>Hook Approach</b>					
Vertical	9' 1" (2.8 m)	8' 10" (2.7 m)	8' 6" (2.6 m)	8' 3" (2.5 m)	7' 11" (2.4 m)
Horizontal	2' 7" (0.8 m)	2' 9" (0.8 m)	2' 11" (0.9 m)	3' 1" (0.9 m)	3' 3" (1 m)
<b>Center of Gravity - Stored</b>					
Vertical	24.5" (62.2 cm)	25.8" (65.5 cm)	26.3" (66.8 cm)	27.8" (70.6 cm)	28.5" (72.4 cm)
Horizontal (C/L Rotation to Bridge)	13.2" (33.5 cm)	13.1" (33.3 cm)	12.8" (32.5 cm)	12.2" (31 cm)	11.7" (29.7 cm)

### 11/78DL Specifications

	1 - Hydraulic	2 - Hydraulic	3 - Hydraulic	4 - Hydraulic	5 - Hydraulic
<b>Crane Rating*</b>	76,670 ft-lb (10.6 tm)	73,775 ft-lb (10.2 tm)	71,605 ft-lb (9.9 tm)	69,435 ft-lb (9.6 tm)	67,265 ft-lb (9.3 tm)
<b>Max Horizontal Reach</b>	20' (6.1 m)	26' 11" (8.2 m)	34' 5" (10.5 m)	41' 8" (12.7 m)	49' 3" (15 m)
<b>Max Vertical Reach</b>	27' 5" (8.4 m)	34' 6" (10.5 m)	41' 10" (12.8 m)	46' 5" (15.1 m)	56' 9" (17.3 m)
<b>Max Capacity</b>	9280 lb (4210 kg)	8820 lb (4000 kg)	8380 lb (3800 kg)	7980 lb (3620 kg)	7630 lb (3460 kg)
<b>Max Cap @ Max Reach</b>	3880 lb (1760 kg)	2670 lb (1210 kg)	1875 lb (850 kg)	1365 lb (620 kg)	1015 lb (460 kg)
<b>Crane Weight **</b>	2570 lb (1165 kg)	2845 lb (1290 kg)	3085 lb (1400 kg)	3295 lb (1495 kg)	3485 lb (1580 kg)
<b>Hook Approach</b>					
Vertical	9' 1" (2.8 m)	8' 10" (2.7 m)	8' 6" (2.6 m)	8' 3" (2.5 m)	7' 11" (2.4 m)
Horizontal	2' 7" (0.8 m)	2' 9" (0.8 m)	2' 11" (0.9 m)	3' 1" (0.9 m)	3' 3" (1 m)
<b>Center of Gravity - Stored</b>					
Vertical	25.7" (65.3 cm)	27" (68.6 cm)	28" (71.1 cm)	29" (73.7 cm)	29.3" (74.4 cm)
Horizontal (C/L Rotation to Bridge)	12.6" (32 cm)	12.5" (31.8 cm)	12.2" (31 cm)	11.8" (30 cm)	11.4" (29 cm)

\* Crane rating (ft-lb) is the rated load (lb) multiplied by the respective distance (ft) from centerline of rotation with all extensions retracted and the inner and outer booms in a horizontal position, per ANSI B30.22. \*\* Crane weight is for standard crane with tank & 8-bolt long mounting kit. Does not include stabilizers, tank or oil.

## Standard Features

- Application-specific product offering
- Superior lift-to-weight ratio
- Long-reach capabilities
- Hexagonal booms for superior reach and maximum control
- Internal hose routing
- 15° overbending on outer boom

## Options

- Radio remote control
- Various stabilizer configurations
- Double link arm system
- Floodlight on outer boom
- Boom tip functions for hydraulic attachments
- Oil cooler

## Specifications

<b>Stabilizer Pad Diameter</b>	6" (15.2 cm)
<b>Crane Storage Height</b>	7' (2.1 m)
<b>Mounting Space</b>	2' 5" (0.8 m)
<b>Rotational Torque</b>	9665 ft-lb (1.3 tm)
<b>Rotation</b>	420°
<b>Optimum Pump Performance</b>	10.5 gpm (40 L/min)
<b>System Pressure</b>	4350 psi (300 bar)
<b>Oil Reservoir Capacity</b>	17.2 gal (65 L)
<b>Stabilizer Extension Span</b>	
Standard	15' 2" (4.6 m)
Weight (manual out/hydraulic down fixed stabilizer)	375 lb (170 kg)
Weight (manual out/hydraulic down swing-up stabilizer)	385 lb (175 kg)
Extended Reach	18' 4" (5.6 m)
Weight (hydraulic out/hydraulic down fixed stabilizer)	430 lb (195 kg)
Weight (hydraulic out/hydraulic down swing-up stabilizer)	440 lb (200 kg)

## Minimum Chassis Specifications

<b>Front Axle Rating (GAWR)</b>	8000 lb (3630 kg)
<b>Rear Axle Rating (GAWR)</b>	16,000 lb (7260 kg)
<b>Resistance to Bending Moment Minimum</b>	1,170,000 in-lb (134,800 kg-m)

## Hexagonal Boom Design

A wide hexagonal profile with large bearing surfaces ensures greater strength and stability for horizontal and vertical spans — even when working in extreme positions with long reaches. Plus, it's protected by powdercoat paint that never fades, flakes, or corrodes.



### Internal Hose Routing

Fed internally through protective nylon drag chains or roller guides, all hoses are equipped with sturdy, high-pressure swivel couplings to prevent them from twisting.



### Overbending

Overbending between the main boom and jib provides greater flexibility when working under power wires and more potential for high lifting in narrow passages. It also lowers the total height when the loader is stowed over the truck body.

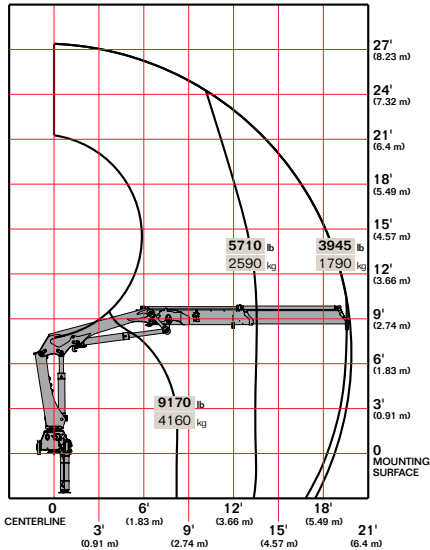


### Stow Bracket Innovation

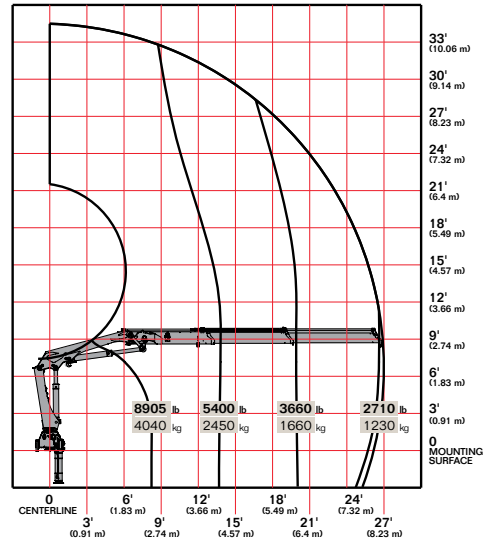
The stow bracket is designed to secure the boom for transport position but not allow for bracket damage. Unlike systems with rigid fixed brackets, the "J" hook will pivot if an incorrect movement is attempted.

# ► 11/78SL Capacity Charts

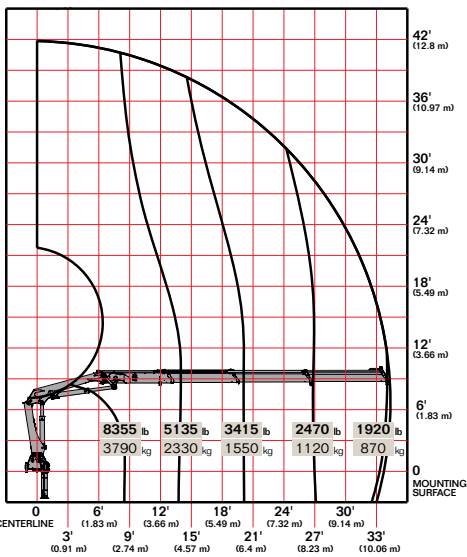
### 11/78SL K1



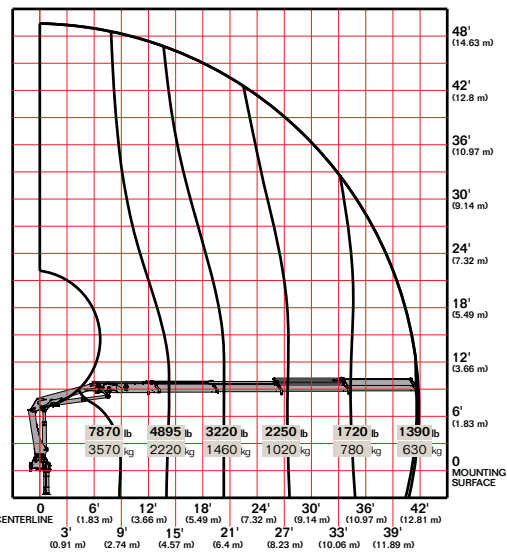
### 11/78SL K2



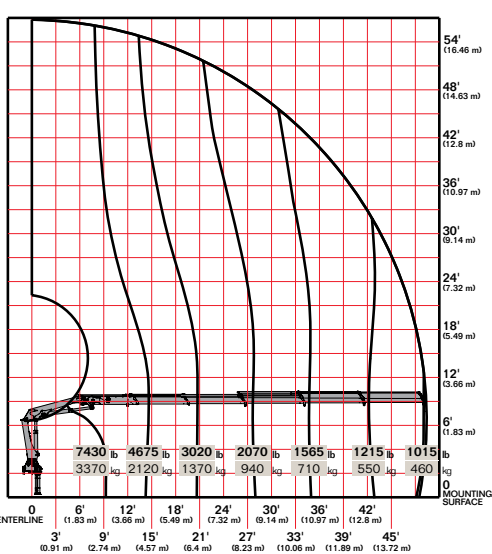
### 11/78SL K3



### 11/78SL K4



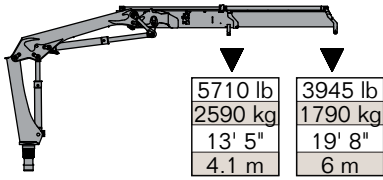
### 11/78SL K5



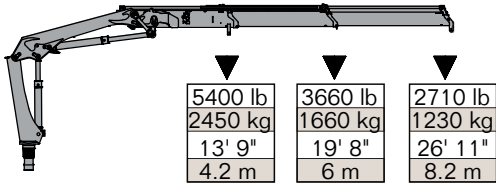
Limit working loads to those shown. Deduct the weight of load-handling devices.

# ► 11/78SL Lifting Capacity

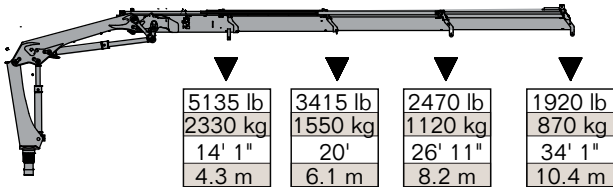
11/78SL - 1 Hydraulic



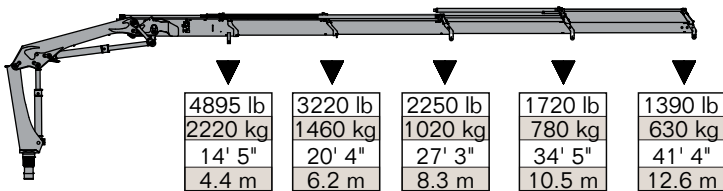
11/78SL - 2 Hydraulic



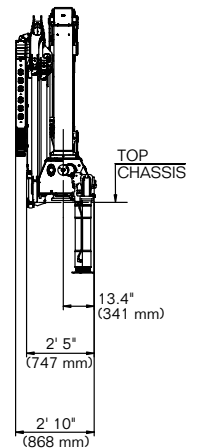
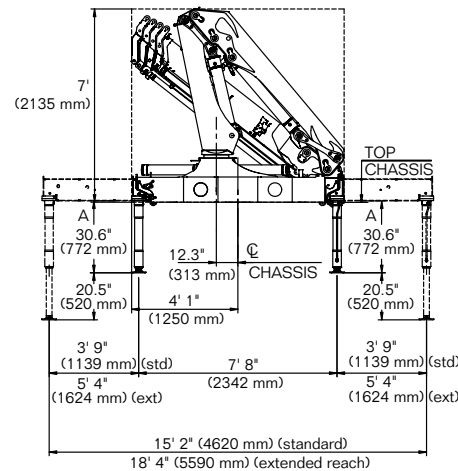
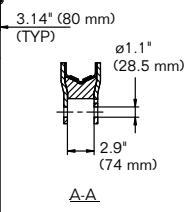
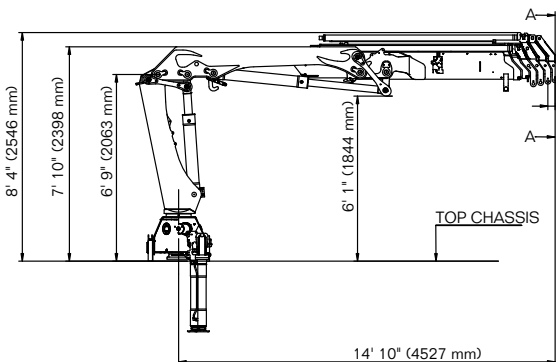
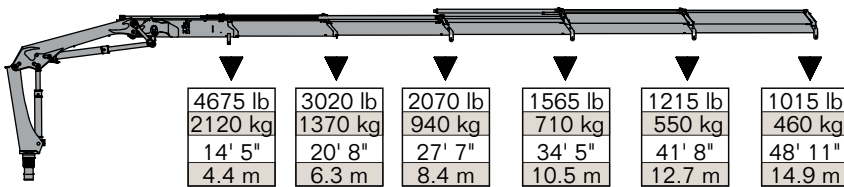
11/78SL - 3 Hydraulic



11/78SL - 4 Hydraulic



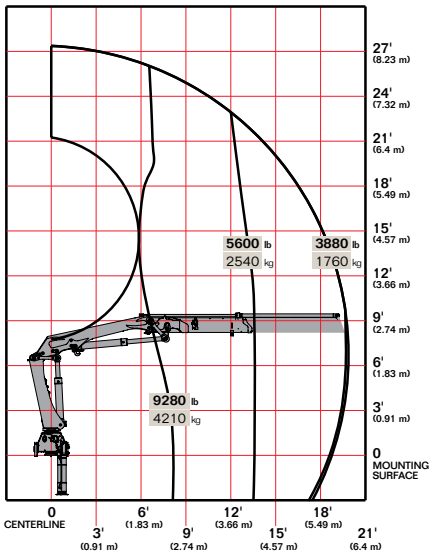
11/78SL - 5 Hydraulic



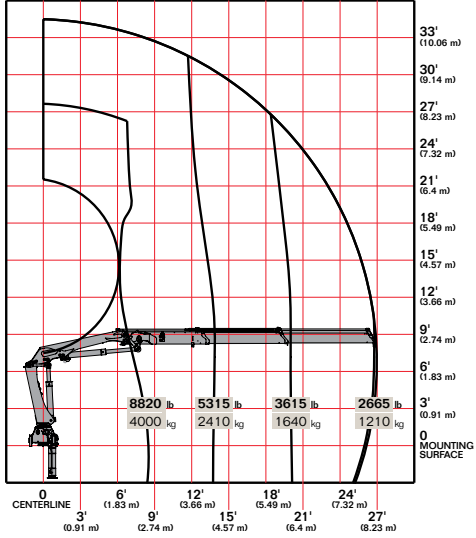
Note: See technical spec manual for optional dimensions

# ► 11/78DL Capacity Charts

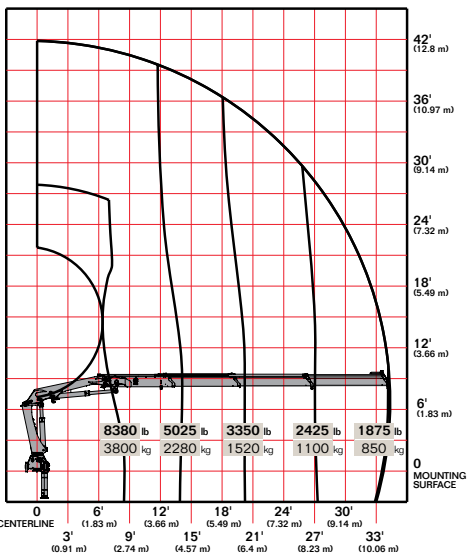
### 11/78DL K1



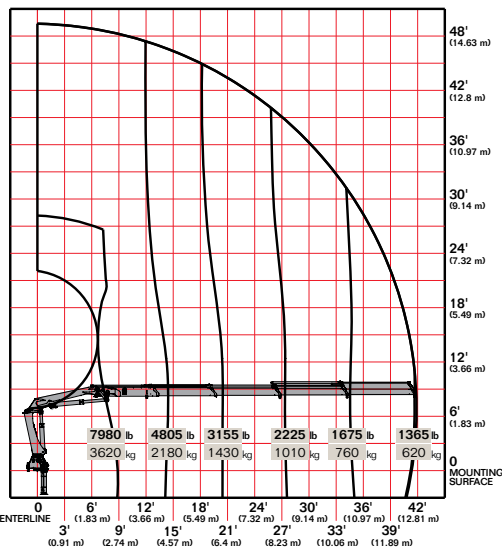
### 11/78DL K2



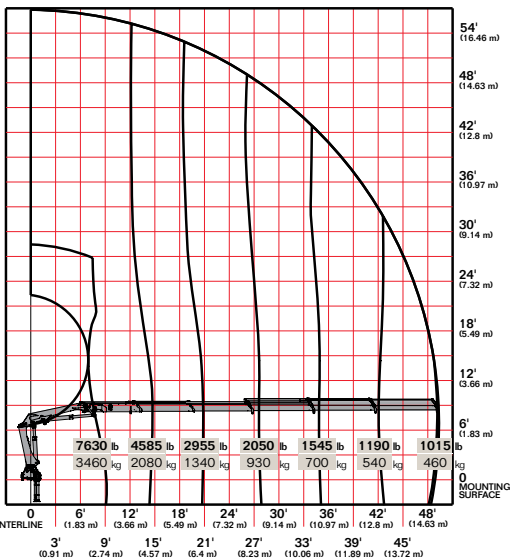
### 11/78DL K3



### 11/78DL K4



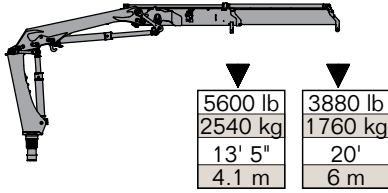
### 11/78DL K5



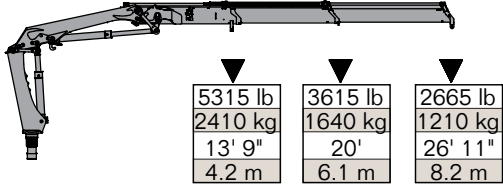
Limit working loads to those shown. Deduct the weight of load-handling devices.

# ► 11/78DL Lifting Capacity

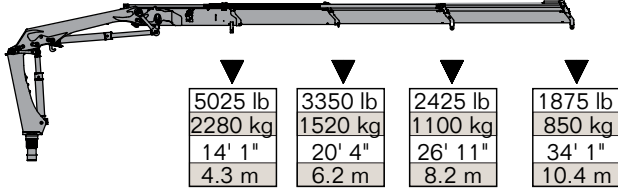
## 11/78DL - 1 Hydraulic



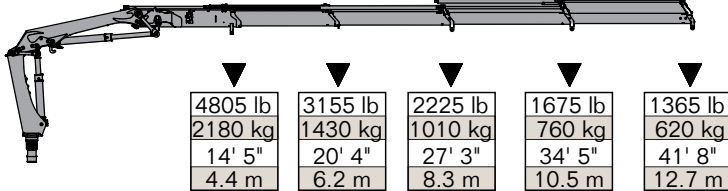
## 11/78DL - 2 Hydraulic



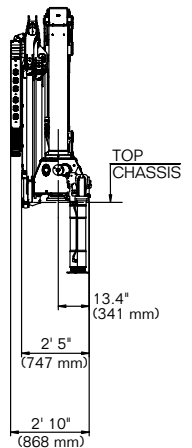
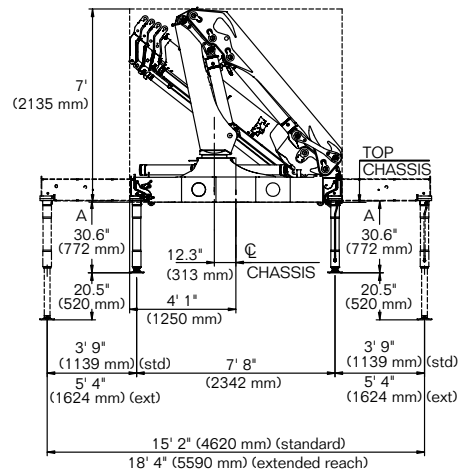
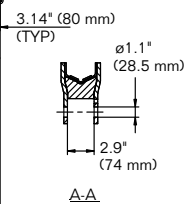
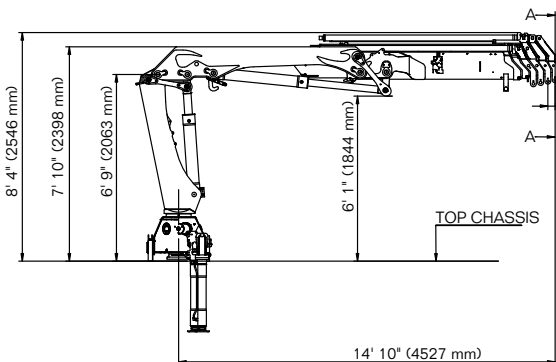
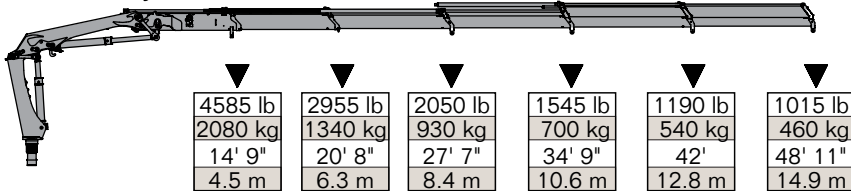
## 11/78DL - 3 Hydraulic



## 11/78DL - 4 Hydraulic



## 11/78DL - 5 Hydraulic



Note: See technical spec manual for optional dimensions

### Power Source

- Standard integral-mounted piston hydraulic pump and PTO application

### Cylinder Holding Valves

- Integral-mounted counterbalance valves or load-holding check valves
- Prevention of sudden cylinder collapse in case of hose failure

### Rotation System

- 400 degree rack and pinion
- 9665 ft-lb (1.3 tm) rotational torque
- Counterbalance valve on each cylinder to stop motion in case of hose failure

### Hydraulic System

- Open-centered system — closed optional
- Regeneration system on extension cylinder to ensure quick deployment
- Hydraulic oil reservoir, air breather, replaceable return-line filter, and control valve with levers

### Overload System

- Load-limiting capability for boom functions
- Rated capacity limitation (RCL) 5300 blocks load-increasing functions when full capacity is attained



### Nothing Says Commitment Like The Diamond.™

IMT has been meeting the needs of our customers for over 50 years and none of it would have been possible without a distributor network that's second to none. IMT distributors offer fast, knowledgeable service and the ability to help customers find the right product for every application. When you're looking for reliable equipment and dependable service, remember IMT.



An Oshkosh Corporation Company

**Iowa Mold Tooling Co., Inc.**  
500 Highway 18 West  
Garner, Iowa 50438  
800-247-5958 • [www.imt.com](http://www.imt.com)