



MERLO

P 120.10 HM

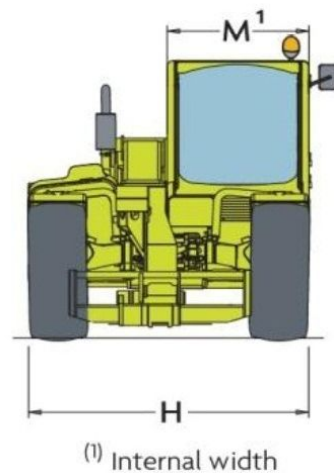
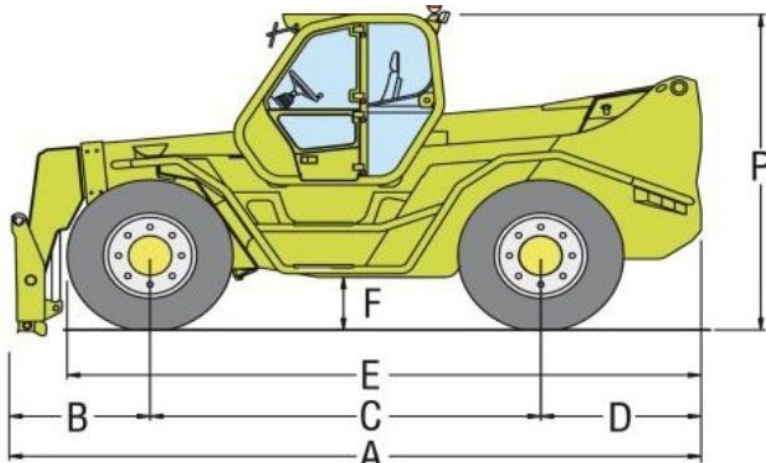
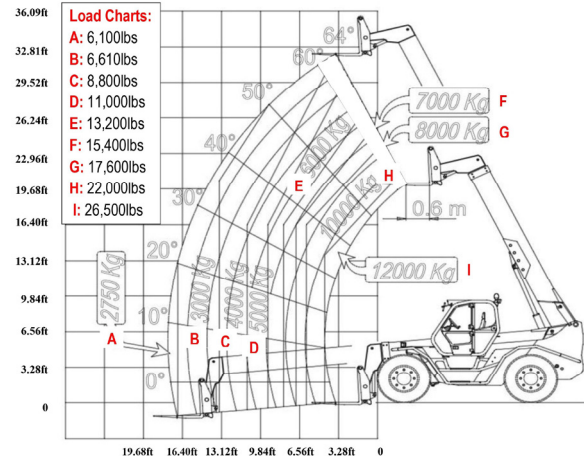


- **MAXIMUM LOAD CAPACITY: 26,500 LBS**
- **MAXIMUM LIFT HEIGHT: 32'**
- **MAXIMUM REACH: 18' 7"**
- **LIFT CAPACITY AT MAXIMUM LIFT HEIGHT: 11,000 LBS**
- **LIFT CAPACITY AT MAXIMUM FORWARD REACH: 6,100 LBS**

SPECIFICATIONS: P 120.10 HM



- Power / 6 Cylinder Turbo Diesel Iveco/145 HP
- Transmission 2 Speed / Hydrostatic
- Maximum Speed 25 MPH
- Total Unladen Mass (with forks) 34,500 LBS
- Boom Sideshift Standard
- Frame Leveling Standard
- Load Sensing Hydraulic Pump (PSI-gal/min) 3,340-38
- Fuel Capacity 48.8 Gallons
- Hydraulic Oil Capacity 3.2 Gallons
- Tires 17.5-25
- Turning Radius 14'-2"
- 4 Wheel Drive / 3 Steering Modes Standard
- Hydraulic System Load-sensing
- Control and Command System Electronic MERLin



Dimensions (FT)

| | | | | | |
|---|---------|---|--------|---|--------|
| A | 18'-10" | D | 4'-4" | H | 7'-10" |
| B | 3'-10" | E | 17'-3" | M | 3'-3" |
| C | 10'-8" | F | 1'-6" | P | 9'-4" |

DEALER INFORMATION: