

# GOTTWALD

Truck Mounted Crane  
with Lattice-Type Jib

- 113 m Hauptausleger
- 95 m Wipp-Spitzenausleger

AK850/1100 t

Lifting Capacity 850 / 1100 t

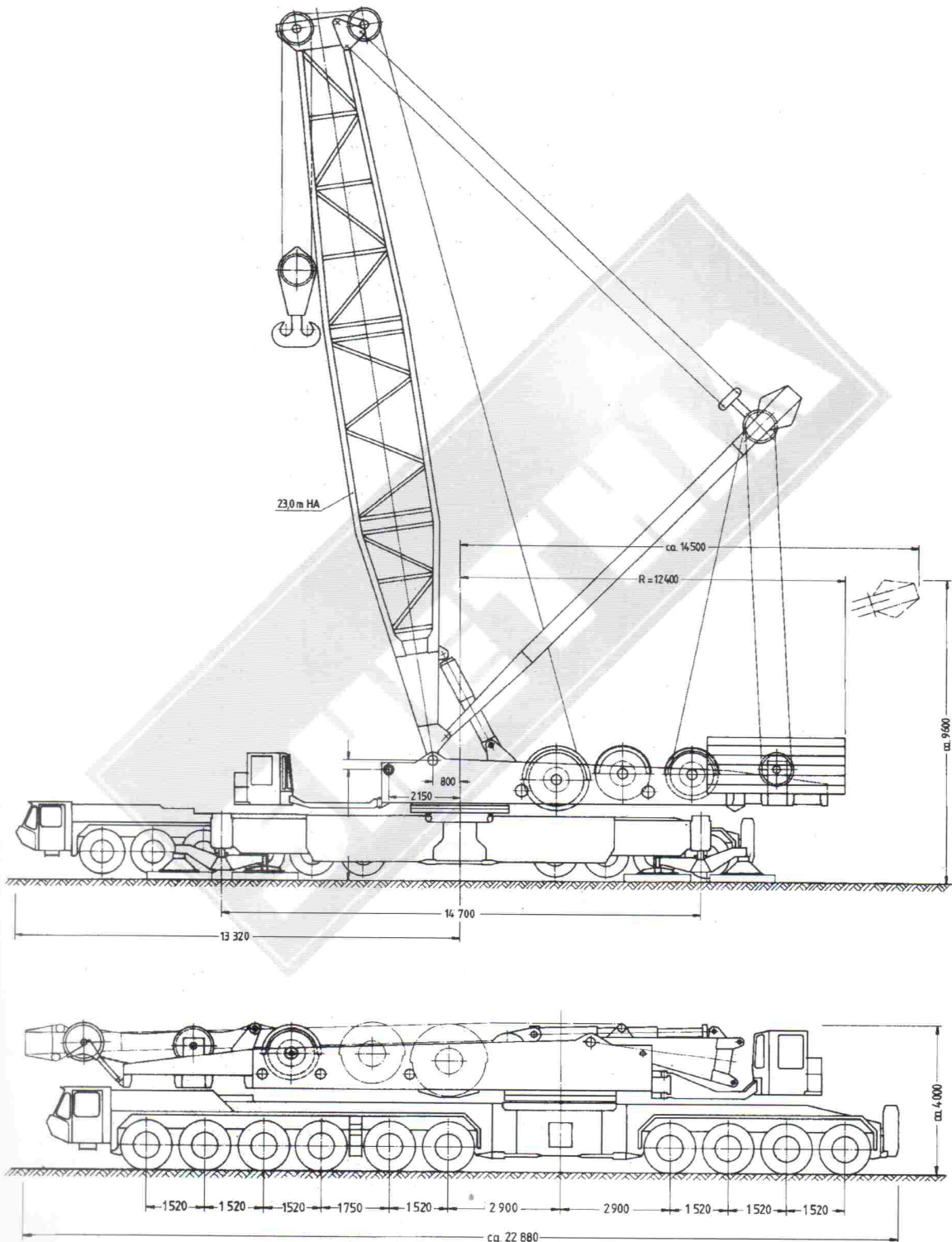


# AK850/1100 t

# GOTTWALD

## Version AK850 / 1100t - 1

Crane as one unit.  
By crane operation no additional  
ballast is required on pedestal  
max travelling speed 62 km/h



Transport Weight : approx 112 t  
Axle loads : approx 12 t

## Version AK850 / 1100t - 2

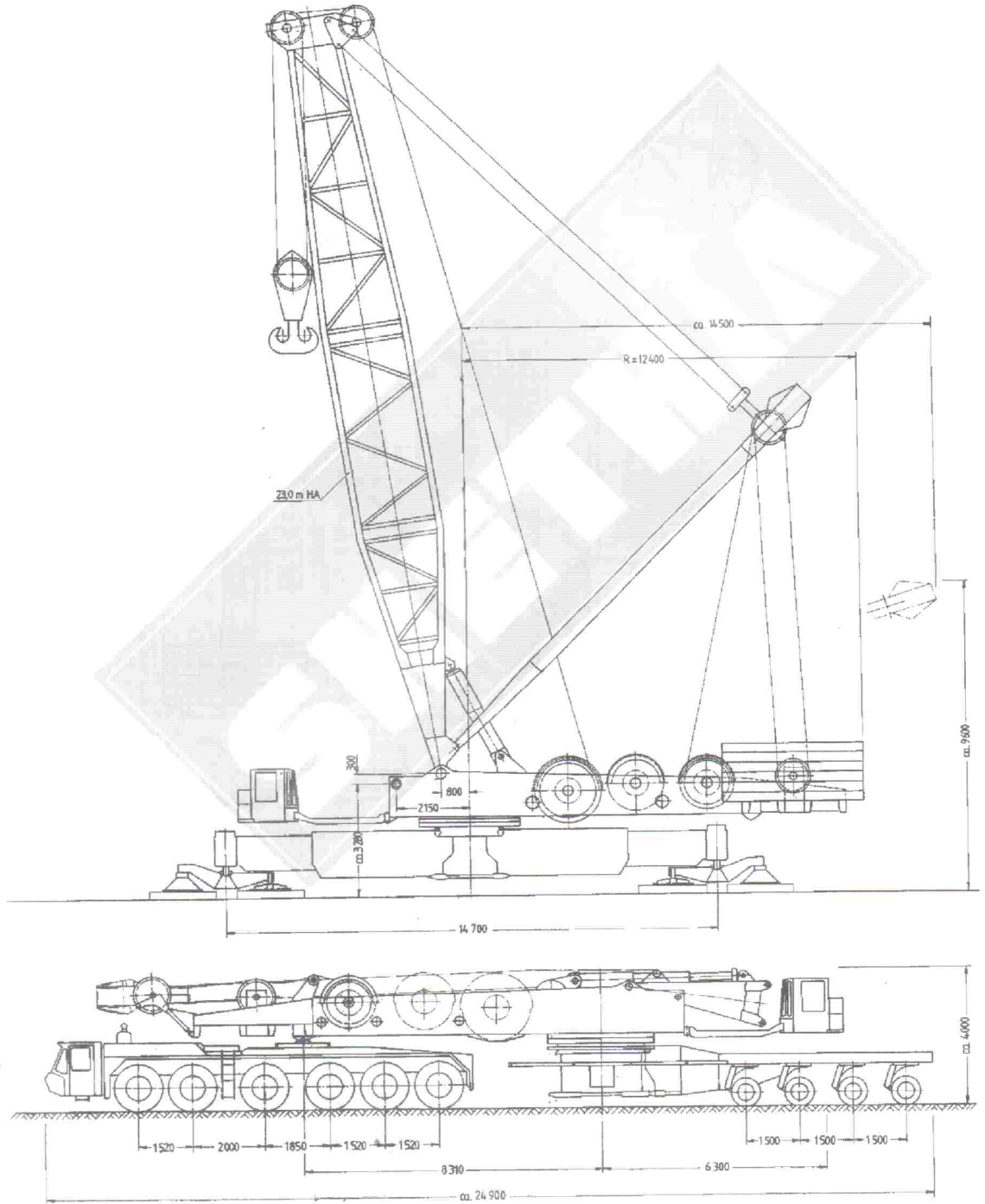
Crane as transport on an articulated chassis  
For crane operation the tractor will be removed.

The pedestal is to be loaded with 60 tons additional ballast.

Tractor and trailer may be used for other transportation.

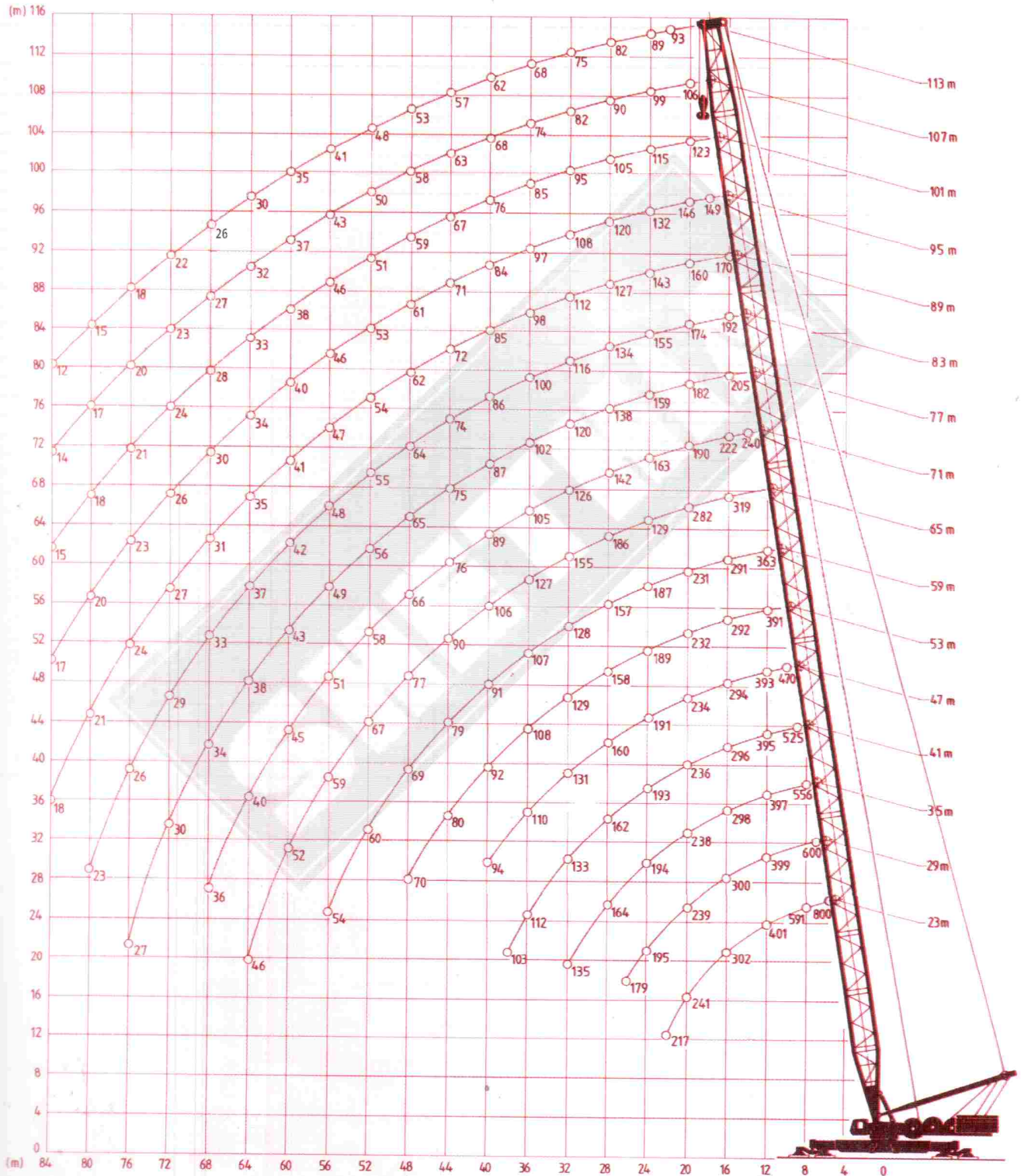
The 4-axied trailer is equipped with 8 single axles (pendulum axies)

Max. travelling speed : 62 km/h



Transport Weight : approx 119 t  
Axles loads : approx 12 t

## Main Jib (Capacities in t) DIN-Ratings



## Lifting Capacities (t) on Main Jib

360° slewable, outrigger base 14,7 x 14,7 m  
Counterweight : Superstructure 206 t  
Undercarriage 60t<sup>1</sup>

DIN-Ratings

| Ausladung<br>Radii<br>Protee<br>m | Main boom lengths  |      |      |      |      |      |      |                   |      |                   |                   |      |                    |       |                   |       |
|-----------------------------------|--|------|------|------|------|------|------|-------------------|------|-------------------|-------------------|------|--------------------|-------|-------------------|-------|
|                                   | 23 m   | 29 m | 35 m | 41 m | 47 m | 53 m | 59 m | 65 m              | 71 m | 77 m              | 83 m              | 89 m | 95 m               | 101 m | 107 m             | 113 m |
| 5                                 | 800 <sup>2)</sup> / 650  |      |      |      |      |      |      |                   |      |                   |                   |      |                    |       |                   |       |
| 6                                 | 746 <sup>2)</sup> / 650  |      |      |      |      |      |      |                   |      |                   |                   |      |                    |       |                   |       |
| 7                                 | 650  | 600  |      |      |      |      |      |                   |      |                   |                   |      |                    |       |                   |       |
| 8                                 | 591  | 589  | 556  |      |      |      |      |                   |      |                   |                   |      |                    |       |                   |       |
| 9                                 | 529  | 527  | 526  | 525  |      |      |      |                   |      |                   |                   |      |                    |       |                   |       |
| 10                                | 478  | 476  | 475  | 473  | 470  |      |      |                   |      |                   |                   |      |                    |       |                   |       |
| 12                                | 401  | 399  | 397  | 395  | 393  | 391  |      |                   |      |                   |                   |      |                    |       |                   |       |
| 14                                | 344  | 342  | 341  | 339  | 337  | 335  | 363  | 319 <sup>3)</sup> |      |                   |                   |      |                    |       |                   |       |
| 16                                | 302  | 300  | 298  | 296  | 294  | 292  | 291  | 282               | 240  | 210 <sup>4)</sup> |                   |      |                    |       |                   |       |
| 18                                | 268  | 266  | 265  | 263  | 261  | 259  | 258  | 256               | 205  | 192               | 170 <sup>5)</sup> |      |                    |       |                   |       |
| 20                                | 241  | 239  | 238  | 236  | 234  | 232  | 231  | 229               | 205  | 194               | 184               | 168  | 1496 <sup>6)</sup> |       |                   |       |
| 22                                | 217  | 215  | 214  | 212  | 210  | 208  | 207  | 206               | 190  | 182               | 174               | 160  | 146                | 123   | 106 <sup>7)</sup> |       |
| 24                                |  | 195  | 194  | 193  | 191  | 189  | 187  | 186               | 176  | 170               | 165               | 152  | 139                | 121   | 103               | 93    |
| 26                                |  | 179  | 178  | 176  | 174  | 172  | 171  | 169               | 163  | 159               | 155               | 143  | 132                | 115   | 99                | 89    |
| 28                                |  |      | 164  | 162  | 160  | 158  | 157  | 155               | 148  | 144               | 138               | 134  | 126                | 110   | 94                | 85    |
| 30                                |  |      | 148  | 146  | 145  | 143  | 142  | 141               | 138  | 134               | 129               | 125  | 120                | 105   | 90                | 82    |
| 32                                |  |      | 135  | 133  | 131  | 129  | 128  | 127               | 126  | 120               | 116               | 112  | 108                | 100   | 86                | 78    |
| 34                                |  |      |      | 121  | 120  | 118  | 117  | 116               | 115  | 111               | 107               | 103  | 100                | 95    | 82                | 75    |
| 36                                |  |      |      | 112  | 110  | 108  | 107  | 106               | 105  | 102               | 100               | 98   | 97                 | 85    | 74                | 68    |
| 38                                |  |      |      | 103  | 102  | 100  | 99   | 98                | 96   | 94                | 93                | 92   | 91                 | 81    | 71                | 65    |
| 40                                |  |      |      |      | 94   | 92   | 91   | 90                | 89   | 87                | 86                | 85   | 84                 | 76    | 68                | 62    |
| 44                                |  |      |      |      |      | 80   | 79   | 77                | 76   | 75                | 74                | 72   | 71                 | 67    | 63                | 57    |
| 48                                |  |      |      |      |      |      | 70   | 69                | 67   | 66                | 65                | 64   | 62                 | 61    | 59                | 53    |
| 52                                |  |      |      |      |      |      |      | 60                | 59   | 58                | 56                | 55   | 54                 | 53    | 51                | 48    |
| 56                                |  |      |      |      |      |      |      |                   | 54   | 52                | 51                | 49   | 48                 | 47    | 46                | 44    |
| 60                                |  |      |      |      |      |      |      |                   |      | 46                | 45                | 43   | 42                 | 41    | 40                | 41    |
| 64                                |  |      |      |      |      |      |      |                   |      |                   | 40                | 38   | 37                 | 35    | 34                | 35    |
| 68                                |  |      |      |      |      |      |      |                   |      |                   |                   | 34   | 33                 | 31    | 30                | 32    |
| 72                                |  |      |      |      |      |      |      |                   |      |                   |                   |      | 30                 | 28    | 27                | 26    |
| 76                                |  |      |      |      |      |      |      |                   |      |                   |                   |      |                    | 27    | 26                | 24    |
| 80                                |  |      |      |      |      |      |      |                   |      |                   |                   |      |                    |       | 24                | 23    |
| 84                                |  |      |      |      |      |      |      |                   |      |                   |                   |      |                    |       |                   | 21    |
| 88                                |  |      |      |      |      |      |      |                   |      |                   |                   |      |                    |       |                   | 18    |
|                                   | Zulässige Windstärke<br>Permissible wind force<br>Force de vent<br>admissible (Beaufort) | 8    | 7    | 7    | 7    | 6    | 6    | 6                 | 5    | 5                 | 5                 | 4    | 4                  | 4     | 4                 | 4     |

### Remarks :

- 1) onle required for AK 850 / 1100t - 2
- 2) special boom head is required
- 3) at R = 13 m
- 4) at R = 15 m
- 5) at R = 17 m
- 6) at R = 19 m
- 7) at R = 21 m

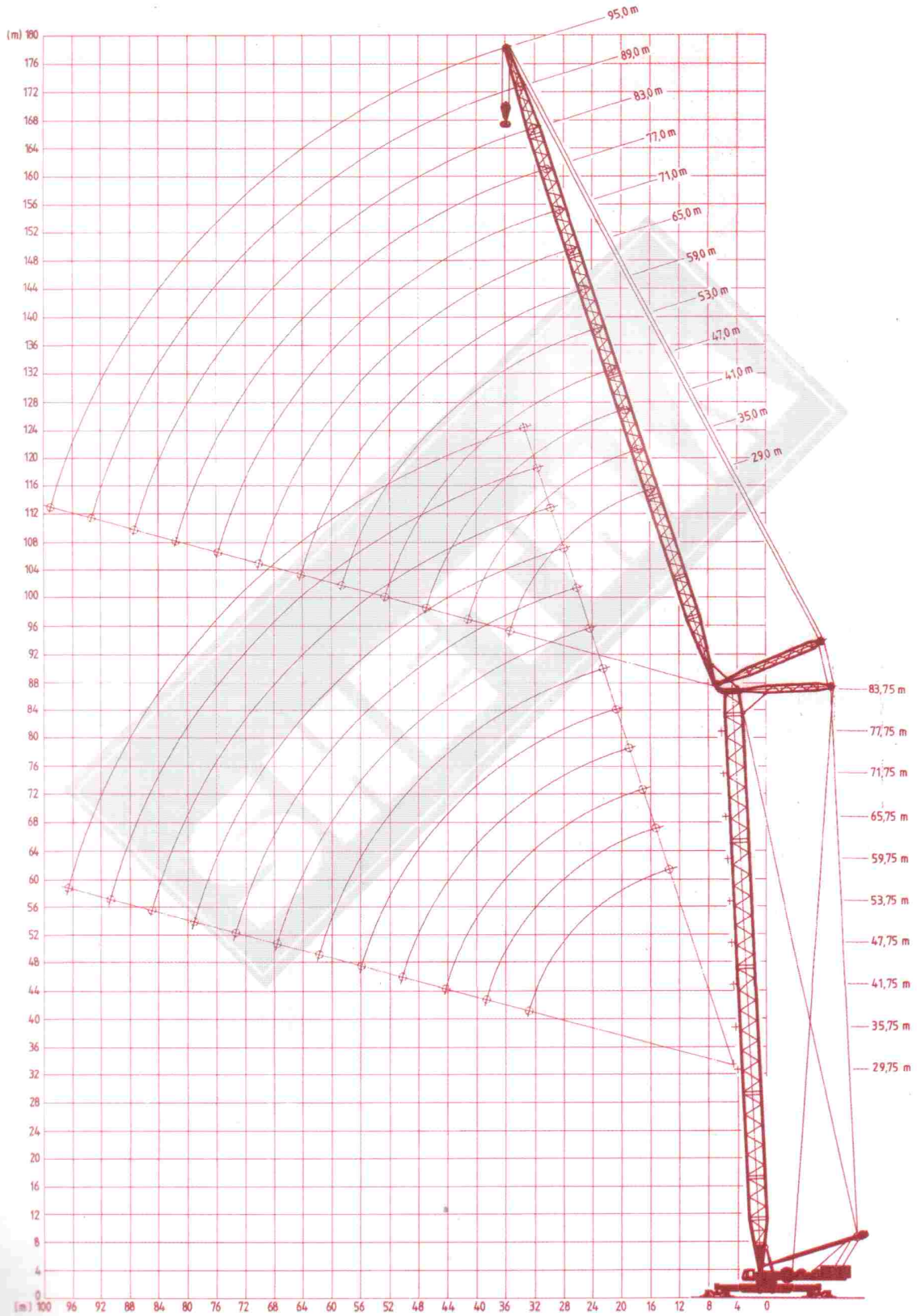
### Remarks concerning the Lifting Capacities

Lifting Capacities = Actual Load + Snatch  
Block + Auxilary Equipment.  
The Lifting capacities are valid for even and  
stable ground.

DIN : The Lifting Capacities do not exceed  
75%of the tipping load. They correspond to  
DIN 1509.2 (Test load) = 1,25 x Hoist load  
+ 0.1 x Jib-own weight, reduce on the Jib  
Head )

**We reserve the right to modify the  
construction, the technical data as well  
as the weights and dimensions.**

## Crane with luffing fly jib



## Lifting Capacities (t) Luffing Fly Jib

On Outrigger Base 14,7 x 14,7 m  
Slewing Range 360°  
Counterweight : Superstructure Max 206 t  
Undercarriage Max 60t')  
DIN-Ratings

| Turmlänge<br>Tower Length<br>Longueur tour<br>m  | Ausladung<br>Radii<br>Portee<br>m | Luffing Fly Jib Lengths |      |      |      |      |      |      |      |      |      |      |      |
|--|-----------------------------------|-------------------------|------|------|------|------|------|------|------|------|------|------|------|
|  |                                   | 29 m                    | 35 m | 41 m | 53 m | 53 m | 59 m | 65 m | 71 m | 77 m | 83 m | 89 m | 95 m |
| 23,75  | 16                                | 236                     |      |      |      |      |      |      |      |      |      |      |      |
|  | 18                                | 236                     | 215  |      |      |      |      |      |      |      |      |      |      |
|  | 20                                | 236                     | 200  | 182  |      |      |      |      |      |      |      |      |      |
|  | 22                                | 221                     | 196  | 172  | 148  | 125  |      |      |      |      |      |      |      |
|  | 24                                | 201                     | 182  | 163  | 144  | 124  | 110  |      |      |      |      |      |      |
|  | 26                                | 185                     | 170  | 155  | 140  | 124  | 108  | 92   |      |      |      |      |      |
|  | 28                                | 171                     | 159  | 147  | 136  | 121  | 106  | 91   | 76   |      |      |      |      |
|  | 30                                | 158                     | 149  | 140  | 132  | 117  | 102  | 88   | 75   | 65   |      |      |      |
|  | 32                                | 143                     | 137  | 132  | 127  | 113  | 99   | 86   | 74   | 64   | 55   |      |      |
|  | 34                                |                         | 126  | 124  | 122  | 109  | 96   | 84   | 73   | 63   | 54   | 45   |      |
|  | 36                                |                         | 121  | 119  | 117  | 105  | 94   | 82   | 72   | 62   | 53   | 45   | 37   |
|  | 38                                |                         |      | 114  | 112  | 101  | 90   | 79   | 71   | 61   | 52   | 44   | 36   |
|  | 40                                |                         |      | 109  | 107  | 97   | 87   | 77   | 70   | 60   | 51   | 43   | 35   |
|  | 44                                |                         |      |      | 93   | 86   | 79   | 73   | 66   | 58   | 50   | 42   | 34   |
|  | 48                                |                         |      |      | 84   | 79   | 74   | 69   | 64   | 56   | 49   | 41   | 33   |
|  | 52                                |                         |      |      |      | 69   | 67   | 65   | 62   | 55   | 48   | 40   | 32   |
|  | 56                                |                         |      |      |      |      | 63   | 61   | 59   | 53   | 47   | 39   | 31   |
|  | 60                                |                         |      |      |      |      |      | 58   | 58   | 52   | 46   | 38   | 31   |
|  | 64                                |                         |      |      |      |      |      | 54   | 54   | 49   | 45   | 37   | 30   |
|  | 68                                |                         |      |      |      |      |      |      | 51   | 46   | 42   | 36   | 30   |
| 72   |                                   |                         |      |      |      |      |      | 48   | 44   | 41   | 34   | 28   |      |
| 76   |                                   |                         |      |      |      |      |      |      | 42   | 40   | 34   | 28   |      |
| 80   |                                   |                         |      |      |      |      |      |      |      | 37   | 32   | 27   |      |
| 84   |                                   |                         |      |      |      |      |      |      |      |      | 31   | 26   |      |
| 88   |                                   |                         |      |      |      |      |      |      |      |      | 30   | 25   |      |
| Zulässige Windstärke<br>Permissible wind force<br>Force de vent<br>admissible (Beaufort) |                                   | 6                       | 5    | 5    | 5    | 4    | 4    | 4    | 4    | 4    | 3    | 3    | 3    |

| Turmlänge<br>Tower Length<br>Longueur tour<br>m  | Ausladung<br>Radii<br>Portee<br>m | Luffing Fly Jib Lengths |      |      |      |      |      |      |      |      |      |      |      |
|--|-----------------------------------|-------------------------|------|------|------|------|------|------|------|------|------|------|------|
|  |                                   | 29 m                    | 35 m | 41 m | 47 m | 53 m | 59 m | 65 m | 71 m | 77 m | 83 m | 89 m | 95 m |
| 29,75  | 16                                | 236                     |      |      |      |      |      |      |      |      |      |      |      |
|  | 18                                | 236                     | 215  |      |      |      |      |      |      |      |      |      |      |
|  | 20                                | 236                     | 200  | 182  |      |      |      |      |      |      |      |      |      |
|  | 22                                | 221                     | 196  | 172  | 148  |      |      |      |      |      |      |      |      |
|  | 24                                | 201                     | 182  | 163  | 144  | 125  |      |      |      |      |      |      |      |
|  | 26                                | 185                     | 170  | 155  | 140  | 124  | 108  | 92   |      |      |      |      |      |
|  | 28                                | 171                     | 159  | 147  | 136  | 121  | 106  | 91   | 76   |      |      |      |      |
|  | 30                                | 158                     | 149  | 140  | 132  | 117  | 102  | 88   | 75   | 65   |      |      |      |
|  | 32                                | 143                     | 137  | 132  | 127  | 113  | 99   | 86   | 74   | 64   | 55   |      |      |
|  | 34                                |                         | 126  | 124  | 122  | 109  | 96   | 84   | 73   | 63   | 53   | 45   |      |
|  | 36                                |                         | 121  | 119  | 117  | 105  | 93   | 82   | 72   | 62   | 53   | 45   | 37   |
|  | 38                                |                         |      | 114  | 112  | 101  | 90   | 79   | 71   | 61   | 52   | 44   | 36   |
|  | 40                                |                         |      | 109  | 107  | 97   | 87   | 77   | 70   | 60   | 51   | 43   | 35   |
|  | 44                                |                         |      |      | 93   | 86   | 79   | 73   | 66   | 58   | 50   | 42   | 34   |
|  | 48                                |                         |      |      | 84   | 79   | 74   | 69   | 64   | 56   | 49   | 41   | 33   |
|  | 52                                |                         |      |      |      | 69   | 67   | 65   | 62   | 55   | 48   | 40   | 32   |
|  | 56                                |                         |      |      |      |      | 63   | 61   | 59   | 53   | 47   | 39   | 31   |
|  | 60                                |                         |      |      |      |      |      | 58   | 58   | 52   | 46   | 38   | 31   |
|  | 64                                |                         |      |      |      |      |      | 54   | 54   | 49   | 45   | 37   | 30   |
|  | 68                                |                         |      |      |      |      |      |      | 51   | 46   | 42   | 36   | 30   |
| 72   |                                   |                         |      |      |      |      |      | 48   | 44   | 40   | 34   | 28   |      |
| 76   |                                   |                         |      |      |      |      |      |      | 42   | 38   | 33   | 28   |      |
| 80   |                                   |                         |      |      |      |      |      |      |      | 35   | 31   | 27   |      |
| 84   |                                   |                         |      |      |      |      |      |      |      |      | 30   | 26   |      |
| 88   |                                   |                         |      |      |      |      |      |      |      |      | 29   | 25   |      |
| Zulässige Windstärke<br>Permissible wind force<br>Force de vent<br>admissible (Beaufort) |                                   | 6                       | 5    | 5    | 5    | 4    | 4    | 4    | 4    | 4    | 3    | 3    | 3    |

1) Only required for AK850 / 1100t-2  
Remarks concerning the lifting capacities :  
See page 5

## Lifting Capacities (t) Luffing Fly Jib

On Outrigger Base 14,7 x 14,7 m  
Slewing Range 360°  
Counterweight : Superstructure Max 206 t  
Undercarriage Max 60t )  
DIN-Ratings

| Turmlänge<br>Tower Length<br>Longueur tour<br>m  | Ausladung<br>Radii<br>Portee<br>m | Luffing Fly Jib Lengths |      |      |      |      |      |      |      |      |      |      |      |
|--|-----------------------------------|-------------------------|------|------|------|------|------|------|------|------|------|------|------|
|  |                                   | 29 m                    | 35 m | 41 m | 47 m | 53 m | 59 m | 65 m | 71 m | 77 m | 83 m | 89 m | 95 m |
| 35,75  | 16                                | 236                     |      |      |      |      |      |      |      |      |      |      |      |
|  | 18                                | 236                     | 214  |      |      |      |      |      |      |      |      |      |      |
|  | 20                                | 233                     | 200  | 175  |      |      |      |      |      |      |      |      |      |
|  | 22                                | 214                     | 192  | 170  | 148  |      |      |      |      |      |      |      |      |
|  | 24                                | 196                     | 178  | 161  | 144  | 124  |      |      |      |      |      |      |      |
|  | 26                                | 180                     | 166  | 153  | 140  | 123  | 106  |      |      |      |      |      |      |
|  | 28                                | 166                     | 156  | 146  | 136  | 120  | 104  | 88   |      |      |      |      |      |
|  | 30                                | 154                     | 146  | 138  | 131  | 116  | 101  | 86   | 72   | 62   |      |      |      |
|  | 32                                | 142                     | 136  | 131  | 126  | 112  | 96   | 84   | 71   | 62   | 53   |      |      |
|  | 34                                |                         | 125  | 123  | 121  | 108  | 95   | 83   | 70   | 61   | 53   | 45   |      |
|  | 36                                |                         | 121  | 119  | 117  | 105  | 93   | 81   | 69   | 61   | 53   | 45   | 37   |
|  | 38                                |                         | 116  | 114  | 112  | 101  | 90   | 79   | 68   | 60   | 52   | 44   | 36   |
|  | 40                                |                         |      | 109  | 107  | 97   | 87   | 77   | 67   | 59   | 51   | 43   | 35   |
|  | 44                                |                         |      | 95   | 83   | 86   | 79   | 73   | 64   | 57   | 50   | 42   | 34   |
|  | 48                                |                         |      |      | 82   | 77   | 72   | 68   | 63   | 56   | 49   | 41   | 33   |
|  | 52                                |                         |      |      |      | 67   | 65   | 63   | 61   | 54   | 48   | 39   | 31   |
|  | 56                                |                         |      |      |      | 63   | 61   | 59   | 58   | 52   | 47   | 39   | 31   |
|  | 60                                |                         |      |      |      |      | 59   | 57   | 57   | 51   | 46   | 38   | 31   |
|  | 64                                |                         |      |      |      |      |      | 56   | 54   | 49   | 45   | 37   | 30   |
|  | 68                                |                         |      |      |      |      |      |      | 51   | 46   | 42   | 36   | 30   |
| 72   |                                   |                         |      |      |      |      |      | 48   | 43   | 39   | 33   | 28   |      |
| 76   |                                   |                         |      |      |      |      |      |      |      | 36   | 32   | 28   |      |
| 80   |                                   |                         |      |      |      |      |      |      |      | 33   | 30   | 27   |      |
| 84   |                                   |                         |      |      |      |      |      |      |      |      | 30   | 26   |      |
| 88   |                                   |                         |      |      |      |      |      |      |      |      | 28   | 25   |      |
| 92   |                                   |                         |      |      |      |      |      |      |      |      |      | 23   |      |
| Zulässige Windstarke<br>Permissible wind force<br>Force de vent<br>admissible (Beaufort) |                                   | 6                       | 5    | 5    | 5    | 4    | 4    | 4    | 4    | 4    | 3    | 3    | 3    |

| Turmlänge<br>Tower Length<br>Longueur tour<br>m  | Ausladung<br>Radii<br>Portee<br>m | Luffing Fly Jib Lengths |      |      |      |      |      |      |      |      |      |      |      |
|--|-----------------------------------|-------------------------|------|------|------|------|------|------|------|------|------|------|------|
|  |                                   | 29 m                    | 35 m | 41 m | 47 m | 53 m | 59 m | 65 m | 71 m | 77 m | 83 m | 89 m | 95 m |
| 41,75  | 16                                |                         |      |      |      |      |      |      |      |      |      |      |      |
|  | 18                                | 236                     | 214  |      |      |      |      |      |      |      |      |      |      |
|  | 20                                | 231                     | 198  | 175  |      |      |      |      |      |      |      |      |      |
|  | 22                                | 208                     | 188  | 168  | 148  |      |      |      |      |      |      |      |      |
|  | 24                                | 191                     | 175  | 159  | 144  | 123  |      |      |      |      |      |      |      |
|  | 26                                | 176                     | 164  | 152  | 140  | 122  | 104  |      |      |      |      |      |      |
|  | 28                                | 162                     | 153  | 144  | 136  | 119  | 102  | 86   |      |      |      |      |      |
|  | 30                                | 151                     | 144  | 137  | 131  | 115  | 99   | 84   | 70   |      |      |      |      |
|  | 32                                | 141                     | 135  | 130  | 125  | 111  | 97   | 83   | 69   | 61   |      |      |      |
|  | 34                                |                         | 125  | 123  | 121  | 108  | 95   | 82   | 68   | 60   | 53   | 44   |      |
|  | 36                                |                         | 121  | 119  | 117  | 104  | 92   | 80   | 67   | 60   | 53   | 44   |      |
|  | 38                                |                         | 116  | 114  | 112  | 101  | 90   | 79   | 66   | 59   | 52   | 44   | 36   |
|  | 40                                |                         |      | 109  | 107  | 97   | 87   | 77   | 65   | 58   | 51   | 43   | 35   |
|  | 44                                |                         |      | 95   | 93   | 86   | 79   | 73   | 63   | 56   | 50   | 42   | 34   |
|  | 48                                |                         |      |      | 80   | 75   | 71   | 67   | 62   | 55   | 49   | 41   | 33   |
|  | 52                                |                         |      |      |      | 66   | 64   | 62   | 60   | 54   | 48   | 39   | 31   |
|  | 56                                |                         |      |      |      | 62   | 60   | 58   | 58   | 52   | 47   | 39   | 31   |
|  | 60                                |                         |      |      |      |      | 59   | 57   | 57   | 51   | 46   | 38   | 31   |
|  | 64                                |                         |      |      |      |      |      | 54   | 54   | 49   | 45   | 37   | 30   |
|  | 68                                |                         |      |      |      |      |      | 51   | 51   | 46   | 42   | 36   | 30   |
| 72   |                                   |                         |      |      |      |      |      | 48   | 43   | 38   | 33   | 28   |      |
| 76   |                                   |                         |      |      |      |      |      |      | 39   | 35   | 31   | 28   |      |
| 80   |                                   |                         |      |      |      |      |      |      |      | 32   | 29   | 27   |      |
| 84   |                                   |                         |      |      |      |      |      |      |      | 31   | 28   | 26   |      |
| 88   |                                   |                         |      |      |      |      |      |      |      |      | 27   | 25   |      |
| 92   |                                   |                         |      |      |      |      |      |      |      |      |      | 23   |      |
| Zulässige Windstarke<br>Permissible wind force<br>Force de vent<br>admissible (Beaufort) |                                   | 6                       | 5    | 5    | 5    | 4    | 4    | 4    | 4    | 4    | 3    | 3    | 3    |

1) Only required for Ak850 / 1100 t-2  
Remarks concerning the lifting capacities :  
See page 5



## Lifting Capacities (t) Luffing Fly Jib

On Outrigger Base 14,7 x 14,7 m  
Slewing Range 360°  
Counterweight : Superstructure Max 206 t  
Undercarriage Max 60t<sup>1)</sup>  
DIN-Ratings

| Turmlänge<br>Tower Length<br>Longueur tour<br>m  | Ausladung<br>Radii<br>Portee<br>m | Luffing Fly Jib Lengths |      |      |      |      |      |      |      |      |      |      |      |    |
|--|-----------------------------------|-------------------------|------|------|------|------|------|------|------|------|------|------|------|----|
|  |                                   | 29 m                    | 35 m | 41 m | 47 m | 53 m | 59 m | 65 m | 71 m | 77 m | 83 m | 89 m | 95 m |    |
| 47,75  | 16                                |                         |      |      |      |      |      |      |      |      |      |      |      |    |
|  | 18                                |                         |      |      |      |      |      |      |      |      |      |      |      |    |
|  | 20                                | 223                     | 195  | 170  |      |      |      |      |      |      |      |      |      |    |
|  | 22                                | 202                     | 185  | 163  | 143  |      |      |      |      |      |      |      |      |    |
|  | 24                                | 185                     | 169  | 154  | 139  | 120  |      |      |      |      |      |      |      |    |
|  | 26                                | 169                     | 158  | 147  | 136  | 118  | 100  |      |      |      |      |      |      |    |
|  | 28                                | 158                     | 149  | 141  | 133  | 116  | 99   | 82   |      |      |      |      |      |    |
|  | 30                                | 149                     | 142  | 135  | 129  | 113  | 97   | 81   | 67   |      |      |      |      |    |
|  | 32                                | 141                     | 135  | 129  | 124  | 109  | 94   | 80   | 67   | 59   |      |      |      |    |
|  | 34                                |                         | 125  | 123  | 121  | 107  | 93   | 79   | 66   | 58   | 51   |      |      |    |
|  | 36                                |                         |      | 121  | 119  | 117  | 103  | 90   | 77   | 66   | 58   | 51   | 42   |    |
|  | 38                                |                         |      | 116  | 114  | 112  | 100  | 88   | 77   | 65   | 57   | 50   | 42   | 34 |
|  | 40                                |                         |      |      | 109  | 107  | 96   | 85   | 75   | 64   | 56   | 49   | 41   | 33 |
|  | 44                                |                         |      |      | 94   | 92   | 85   | 78   | 71   | 62   | 55   | 48   | 40   | 33 |
|  | 48                                |                         |      |      |      | 78   | 73   | 69   | 65   | 61   | 54   | 47   | 39   | 32 |
|  | 52                                |                         |      |      |      |      | 65   | 63   | 61   | 59   | 52   | 46   | 38   | 30 |
|  | 56                                |                         |      |      |      |      | 61   | 59   | 57   | 57   | 51   | 45   | 37   | 30 |
|  | 60                                |                         |      |      |      |      |      | 58   | 56   | 56   | 50   | 44   | 36   | 29 |
|  | 64                                |                         |      |      |      |      |      |      | 55   | 54   | 48   | 43   | 36   | 29 |
|  | 68                                |                         |      |      |      |      |      |      | 54   | 51   | 45   | 40   | 33   | 27 |
| 72   |                                   |                         |      |      |      |      |      |      | 48   | 42   | 37   | 32   | 27   |    |
| 76   |                                   |                         |      |      |      |      |      |      |      | 38   | 34   | 30   | 26   |    |
| 80   |                                   |                         |      |      |      |      |      |      |      |      | 31   | 28   | 26   |    |
| 84   |                                   |                         |      |      |      |      |      |      |      |      | 30   | 28   | 26   |    |
| 88   |                                   |                         |      |      |      |      |      |      |      |      |      | 27   | 25   |    |
| 92   |                                   |                         |      |      |      |      |      |      |      |      |      |      | 23   |    |
| Zulässige Windstärke<br>Permissible wind force<br>Force de vent<br>admissible (Beaufort) |                                   | 6                       | 5    | 5    | 5    | 4    | 4    | 4    | 3    | 3    | 3    | 3    | 3    |    |

| Turmlänge<br>Tower Length<br>Longueur tour<br>m  | Ausladung<br>Radii<br>Portee<br>m | Luffing Fly Jib Lengths |      |      |      |      |      |      |      |      |      |      |      |    |
|--|-----------------------------------|-------------------------|------|------|------|------|------|------|------|------|------|------|------|----|
|  |                                   | 29 m                    | 35 m | 41 m | 47 m | 53 m | 59 m | 65 m | 71 m | 77 m | 83 m | 89 m | 95 m |    |
| 53,75  | 16                                |                         |      |      |      |      |      |      |      |      |      |      |      |    |
|  | 18                                |                         |      |      |      |      |      |      |      |      |      |      |      |    |
|  | 20                                | 207                     | 189  |      |      |      |      |      |      |      |      |      |      |    |
|  | 22                                | 197                     | 176  | 156  |      |      |      |      |      |      |      |      |      |    |
|  | 24                                | 180                     | 165  | 150  | 135  |      |      |      |      |      |      |      |      |    |
|  | 26                                | 163                     | 153  | 143  | 133  | 116  |      |      |      |      |      |      |      |    |
|  | 28                                | 155                     | 147  | 139  | 131  | 114  | 97   | 80   |      |      |      |      |      |    |
|  | 30                                | 148                     | 141  | 134  | 128  | 111  | 94   | 78   | 66   |      |      |      |      |    |
|  | 32                                | 141                     | 135  | 129  | 124  | 108  | 92   | 77   | 66   | 58   |      |      |      |    |
|  | 34                                | 132                     | 128  | 124  | 121  | 106  | 91   | 77   | 65   | 57   | 50   |      |      |    |
|  | 36                                |                         | 121  | 119  | 117  | 103  | 89   | 75   | 65   | 57   | 50   | 41   |      |    |
|  | 38                                |                         |      | 116  | 114  | 112  | 99   | 87   | 75   | 64   | 56   | 49   | 41   | 33 |
|  | 40                                |                         |      |      | 109  | 107  | 95   | 84   | 73   | 64   | 56   | 48   | 40   | 32 |
|  | 44                                |                         |      |      | 94   | 92   | 84   | 77   | 70   | 62   | 54   | 47   | 39   | 32 |
|  | 48                                |                         |      |      |      | 77   | 72   | 68   | 64   | 60   | 52   | 45   | 38   | 31 |
|  | 52                                |                         |      |      |      |      | 64   | 62   | 60   | 58   | 51   | 44   | 37   | 30 |
|  | 56                                |                         |      |      |      |      | 61   | 59   | 57   | 56   | 49   | 43   | 36   | 30 |
|  | 60                                |                         |      |      |      |      |      | 58   | 56   | 55   | 48   | 42   | 35   | 29 |
|  | 64                                |                         |      |      |      |      |      |      | 55   | 54   | 47   | 41   | 34   | 28 |
|  | 68                                |                         |      |      |      |      |      |      | 54   | 51   | 45   | 39   | 33   | 28 |
| 72   |                                   |                         |      |      |      |      |      |      | 46   | 41   | 37   | 32   | 27   |    |
| 76   |                                   |                         |      |      |      |      |      |      |      | 38   | 34   | 30   | 26   |    |
| 80   |                                   |                         |      |      |      |      |      |      |      |      | 35   | 31   | 26   |    |
| 84   |                                   |                         |      |      |      |      |      |      |      |      |      | 29   | 27   |    |
| 88   |                                   |                         |      |      |      |      |      |      |      |      |      |      | 26   |    |
| 92   |                                   |                         |      |      |      |      |      |      |      |      |      |      | 23   |    |
| Zulässige Windstärke<br>Permissible wind force<br>Force de vent<br>admissible (Beaufort) |                                   | 5                       | 5    | 5    | 4    | 4    | 4    | 3    | 3    | 3    | 3    | 3    | 3    |    |

1) Only required for AK850 / 1100t-2  
Remarks concerning the lifting capacities :  
See page 5

## Lifting Capacities (t) Luffing Fly Jib

On Outrigger Base 14,7 x 14,7 m  
Slewing Range 360°  
Counterweight : Superstructure Max 206 t  
Undercarriage Max 60t'  
DIN-Ratings

| Turmlänge<br>Tower Length<br>Longueur tour<br>m  | Ausladung<br>Radii<br>Portee<br>m | Luffing Fly Jib Lengths |      |      |      |      |      |      |      |      |      |      |      |
|--|-----------------------------------|-------------------------|------|------|------|------|------|------|------|------|------|------|------|
|  |                                   | 29 m                    | 35 m | 41 m | 47 m | 53 m | 59 m | 65 m | 71 m | 77 m | 83 m | 89 m | 95 m |
| 59,75  | 16                                |                         |      |      |      |      |      |      |      |      |      |      |      |
|  | 18                                |                         |      |      |      |      |      |      |      |      |      |      |      |
|  | 20                                |                         | 178  |      |      |      |      |      |      |      |      |      |      |
|  | 22                                | 192                     | 171  | 151  |      |      |      |      |      |      |      |      |      |
|  | 24                                | 175                     | 160  | 145  | 130  |      |      |      |      |      |      |      |      |
|  | 26                                | 157                     | 147  | 138  | 129  | 112  |      |      |      |      |      |      |      |
|  | 28                                | 151                     | 143  | 135  | 128  | 111  | 93   |      |      |      |      |      |      |
|  | 30                                | 146                     | 139  | 132  | 126  | 109  | 92   | 75   |      |      |      |      |      |
|  | 32                                | 140                     | 134  | 128  | 123  | 106  | 90   | 74   | 64   | 56   |      |      |      |
|  | 34                                | 131                     | 127  | 124  | 121  | 105  | 89   | 74   | 64   | 56   | 49   |      |      |
|  | 36                                |                         | 121  | 119  | 117  | 102  | 87   | 73   | 64   | 56   | 48   | 39   |      |
|  | 38                                |                         | 116  | 114  | 112  | 99   | 86   | 73   | 63   | 55   | 47   | 39   | 32   |
|  | 40                                |                         |      | 109  | 107  | 95   | 83   | 71   | 63   | 55   | 47   | 39   | 31   |
|  | 44                                |                         |      | 94   | 92   | 84   | 76   | 68   | 61   | 53   | 45   | 38   | 31   |
|  | 48                                |                         |      |      | 76   | 71   | 67   | 63   | 60   | 51   | 43   | 37   | 31   |
|  | 52                                |                         |      |      |      | 63   | 61   | 59   | 57   | 49   | 42   | 36   | 30   |
|  | 56                                |                         |      |      |      | 61   | 59   | 57   | 55   | 48   | 41   | 35   | 30   |
|  | 60                                |                         |      |      |      |      | 58   | 56   | 54   | 47   | 40   | 34   | 28   |
|  | 64                                |                         |      |      |      |      |      | 55   | 53   | 46   | 39   | 33   | 27   |
|  | 68                                |                         |      |      |      |      |      | 54   | 51   | 44   | 38   | 32   | 27   |
| 72   |                                   |                         |      |      |      |      |      | 44   | 40   | 36   | 31   | 27   |      |
| 76   |                                   |                         |      |      |      |      |      |      | 37   | 33   | 29   | 26   |      |
| 80   |                                   |                         |      |      |      |      |      |      | 35   | 31   | 28   | 26   |      |
| 84   |                                   |                         |      |      |      |      |      |      |      | 28   | 27   | 26   |      |
| 88   |                                   |                         |      |      |      |      |      |      |      |      | 26   | 25   |      |
| 92   |                                   |                         |      |      |      |      |      |      |      |      |      | 23   |      |
| Zulässige Windstarke<br>Permissible wind force<br>Force de vent<br>admissible (Beaufort) |                                   | 5                       | 5    | 5    | 4    | 4    | 4    | 3    | 3    | 3    | 3    | 3    | 3    |

| Turmlänge<br>Tower Length<br>Longueur tour<br>m  | Ausladung<br>Radii<br>Portee<br>m | Luffing Fly Jib Lengths |      |      |      |      |      |      |      |      |      |      |      |
|--|-----------------------------------|-------------------------|------|------|------|------|------|------|------|------|------|------|------|
|  |                                   | 29 m                    | 35 m | 41 m | 47 m | 53 m | 59 m | 65 m | 71 m | 77 m | 83 m | 89 m | 95 m |
| 65,75  | 16                                |                         |      |      |      |      |      |      |      |      |      |      |      |
|  | 18                                |                         |      |      |      |      |      |      |      |      |      |      |      |
|  | 20                                |                         | 164  |      |      |      |      |      |      |      |      |      |      |
|  | 22                                | 178                     | 163  | 146  |      |      |      |      |      |      |      |      |      |
|  | 24                                | 170                     | 155  | 140  | 126  |      |      |      |      |      |      |      |      |
|  | 26                                | 151                     | 142  | 134  | 126  | 110  |      |      |      |      |      |      |      |
|  | 28                                | 148                     | 140  | 133  | 126  | 108  | 90   |      |      |      |      |      |      |
|  | 30                                | 145                     | 138  | 131  | 125  | 107  | 89   | 72   |      |      |      |      |      |
|  | 32                                | 140                     | 134  | 128  | 123  | 106  | 89   | 72   | 63   |      |      |      |      |
|  | 34                                | 131                     | 127  | 124  | 121  | 104  | 88   | 72   | 63   | 55   |      |      |      |
|  | 36                                |                         | 121  | 119  | 117  | 101  | 86   | 71   | 63   | 55   | 47   | 38   |      |
|  | 38                                |                         | 116  | 114  | 112  | 98   | 84   | 71   | 62   | 54   | 46   | 38   | 31   |
|  | 40                                |                         |      | 109  | 107  | 94   | 82   | 70   | 62   | 54   | 46   | 38   | 30   |
|  | 44                                |                         |      | 94   | 92   | 83   | 75   | 67   | 61   | 52   | 44   | 37   | 30   |
|  | 48                                |                         |      |      | 75   | 70   | 66   | 62   | 59   | 50   | 42   | 36   | 30   |
|  | 52                                |                         |      |      |      | 62   | 60   | 58   | 56   | 48   | 41   | 35   | 29   |
|  | 56                                |                         |      |      |      | 61   | 59   | 57   | 55   | 47   | 40   | 34   | 29   |
|  | 60                                |                         |      |      |      |      | 58   | 56   | 54   | 46   | 39   | 33   | 28   |
|  | 64                                |                         |      |      |      |      |      | 55   | 52   | 45   | 38   | 32   | 27   |
|  | 68                                |                         |      |      |      |      |      | 54   | 50   | 43   | 37   | 32   | 27   |
| 72   |                                   |                         |      |      |      |      |      | 43   | 39   | 36   | 31   | 27   |      |
| 76   |                                   |                         |      |      |      |      |      |      | 37   | 33   | 29   | 26   |      |
| 80   |                                   |                         |      |      |      |      |      |      | 35   | 31   | 28   | 26   |      |
| 84   |                                   |                         |      |      |      |      |      |      |      | 28   | 27   | 26   |      |
| Zulässige Windstarke<br>Permissible wind force<br>Force de vent<br>admissible (Beaufort) |                                   | 5                       | 4    | 4    | 4    | 4    | 4    | 3    | 3    | 3    | 3    | 3    | 3    |

1) Only required for AK850 / 1100t-2  
Remarks concerning the lifting capacities :  
See page 5

## Lifting Capacities (t) Luffing Fly Jib

On Outrigger Base 14,7 x 14,7 m  
Slewing Range 360°  
Counterweight : Superstructure Max 206 t  
Undercarriage Max 60t<sup>1)</sup>

DIN-Ratings

| Turmlänge<br>Tower Length<br>Longueur tour<br>m  | Ausladung<br>Radii<br>Portee<br>m | Luffing Fly Jib Lengths |      |      |      |      |      |      |      |      |      |      |      |
|--|-----------------------------------|-------------------------|------|------|------|------|------|------|------|------|------|------|------|
|  |                                   | 29 m                    | 35 m | 41 m | 47 m | 53 m | 59 m | 65 m | 71 m | 77 m | 83 m | 89 m | 95 m |
| 71,75  | 16                                |                         |      |      |      |      |      |      |      |      |      |      |      |
|  | 18                                |                         |      |      |      |      |      |      |      |      |      |      |      |
|  | 20                                |                         |      |      |      |      |      |      |      |      |      |      |      |
|  | 22                                |                         | 148  | 138  |      |      |      |      |      |      |      |      |      |
|  | 24                                | 167                     | 148  | 132  | 115  |      |      |      |      |      |      |      |      |
|  | 26                                | 155                     | 141  | 128  | 115  | 102  |      |      |      |      |      |      |      |
|  | 28                                | 148                     | 137  | 126  | 115  | 101  | 85   |      |      |      |      |      |      |
|  | 30                                | 141                     | 132  | 123  | 115  | 100  | 85   | 70   |      |      |      |      |      |
|  | 32                                | 139                     | 130  | 122  | 114  | 99   | 84   | 70   | 60   |      |      |      |      |
|  | 34                                | 138                     | 129  | 121  | 113  | 98   | 83   | 69   | 60   | 53   |      |      |      |
|  | 36                                |                         | 115  | 113  | 110  | 96   | 82   | 69   | 59   | 52   | 46   | 37   |      |
|  | 38                                |                         |      | 110  | 107  | 94   | 81   | 69   | 58   | 51   | 45   | 37   | 30   |
|  | 40                                |                         |      | 105  | 102  | 90   | 79   | 68   | 57   | 50   | 44   | 36   | 29   |
|  | 44                                |                         |      |      | 92   | 82   | 73   | 64   | 56   | 49   | 42   | 35   | 29   |
|  | 48                                |                         |      |      | 78   | 72   | 66   | 61   | 54   | 47   | 41   | 35   | 29   |
|  | 52                                |                         |      |      |      |      | 60   | 58   | 53   | 46   | 40   | 34   | 28   |
|  | 56                                |                         |      |      |      |      | 59   | 57   | 52   | 46   | 40   | 34   | 28   |
|  | 60                                |                         |      |      |      |      |      | 56   | 51   | 45   | 39   | 33   | 27   |
|  | 64                                |                         |      |      |      |      |      |      | 50   | 44   | 39   | 32   | 26   |
|  | 68                                |                         |      |      |      |      |      |      |      | 48   | 43   | 38   | 32   |
| 72   |                                   |                         |      |      |      |      |      |      | 44   | 41   | 38   | 32   | 26   |
| 76   |                                   |                         |      |      |      |      |      |      |      |      | 37   | 31   | 25   |
| 80   |                                   |                         |      |      |      |      |      |      |      |      | 36   | 30   | 24   |
| 84   |                                   |                         |      |      |      |      |      |      |      |      |      | 28   | 23   |
| Zulässige Windstärke<br>Permissible wind force<br>Force de vent<br>admissible (Beaufort) |                                   | 4                       | 4    | 4    | 4    | 4    | 4    | 3    | 3    | 3    | 3    | 3    | 3    |

| Turmlänge<br>Tower Length<br>Longueur tour<br>m  | Ausladung<br>Radii<br>Portee<br>m | Luffing Fly Jib Lengths |      |      |      |      |      |      |      |      |      |      |      |
|--|-----------------------------------|-------------------------|------|------|------|------|------|------|------|------|------|------|------|
|  |                                   | 29 m                    | 35 m | 41 m | 47 m | 53 m | 59 m | 65 m | 71 m | 77 m | 83 m | 89 m | 95 m |
| 77,75  | 16                                |                         |      |      |      |      |      |      |      |      |      |      |      |
|  | 18                                |                         |      |      |      |      |      |      |      |      |      |      |      |
|  | 20                                |                         |      |      |      |      |      |      |      |      |      |      |      |
|  | 22                                |                         | 145  | 128  |      |      |      |      |      |      |      |      |      |
|  | 24                                | 148                     | 144  | 127  | 110  |      |      |      |      |      |      |      |      |
|  | 26                                | 148                     | 138  | 124  | 110  | 96   |      |      |      |      |      |      |      |
|  | 28                                | 145                     | 133  | 121  | 110  | 96   |      |      |      |      |      |      |      |
|  | 30                                | 139                     | 129  | 119  | 109  | 95   | 81   | 68   |      |      |      |      |      |
|  | 32                                | 136                     | 126  | 117  | 108  | 94   | 81   | 68   | 58   |      |      |      |      |
|  | 34                                | 133                     | 124  | 115  | 107  | 93   | 80   | 67   | 58   | 52   |      |      |      |
|  | 36                                |                         | 122  | 113  | 105  | 92   | 79   | 67   | 58   | 51   | 44   |      |      |
|  | 38                                |                         |      | 110  | 103  | 91   | 79   | 67   | 57   | 50   | 43   | 35   |      |
|  | 40                                |                         |      | 105  | 98   | 87   | 76   | 66   | 56   | 49   | 43   | 35   | 28   |
|  | 44                                |                         |      | 90   | 88   | 79   | 71   | 63   | 55   | 48   | 41   | 34   | 28   |
|  | 48                                |                         |      |      | 77   | 71   | 66   | 61   | 53   | 47   | 41   | 34   | 27   |
|  | 52                                |                         |      |      | 70   | 66   | 62   | 58   | 52   | 46   | 40   | 33   | 27   |
|  | 56                                |                         |      |      |      | 61   | 59   | 57   | 51   | 45   | 39   | 33   | 27   |
|  | 60                                |                         |      |      |      |      | 58   | 56   | 50   | 44   | 38   | 32   | 26   |
|  | 64                                |                         |      |      |      |      | 57   | 55   | 48   | 43   | 38   | 32   | 26   |
|  | 68                                |                         |      |      |      |      |      | 53   | 47   | 42   | 37   | 31   | 25   |
| 72   |                                   |                         |      |      |      |      |      | 44   | 40   | 37   | 31   | 25   |      |
| 76   |                                   |                         |      |      |      |      |      |      | 40   | 36   | 30   | 25   |      |
| 80   |                                   |                         |      |      |      |      |      |      | 39   | 34   | 23   | 23   |      |
| 84   |                                   |                         |      |      |      |      |      |      |      | 29   | 25   | 22   |      |
| Zulässige Windstärke<br>Permissible wind force<br>Force de vent<br>admissible (Beaufort) |                                   | 4                       | 4    | 4    | 4    | 4    | 4    | 3    | 3    | 3    | 3    | 3    | 3    |

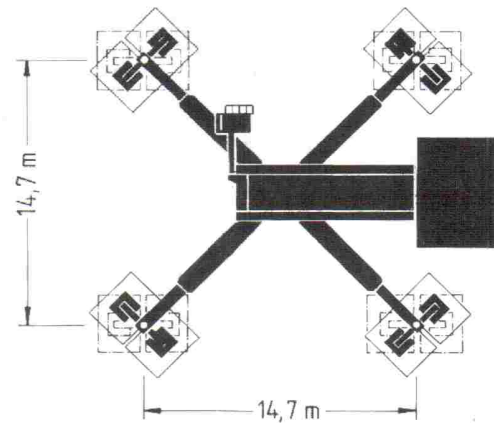
1) Only required for AK850 / 1100t-2  
Remarks concerning the lifting capacities :  
See page 5

## Lifting Capacities (t) Luffing Fly Jib

On Outrigger Base 14,7 x 14,7 m  
Slewing Range 360°  
Counterweight : Superstructure Max 206 t  
Undercarriage Max 60t')  
DIN-Ratings

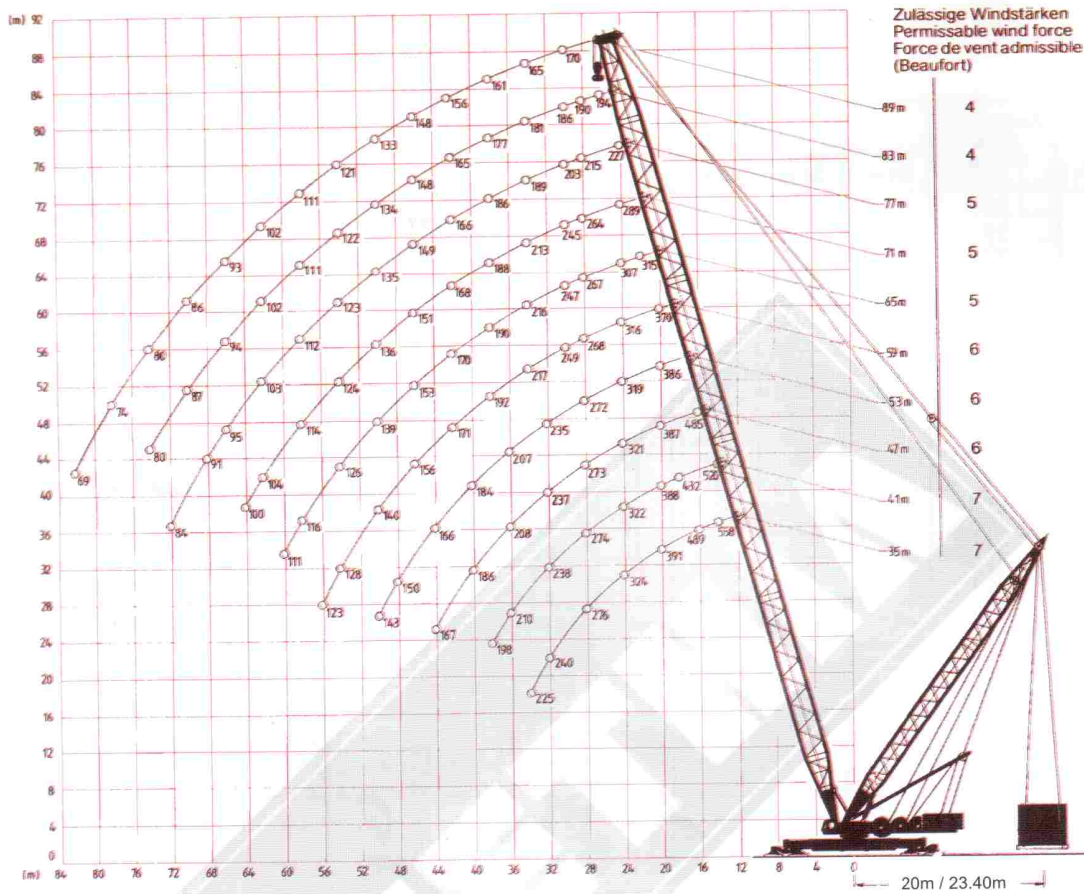
| Turmlänge<br>Tower Length<br>Longueur tour<br>m  | Ausladung<br>Radii<br>Portee<br>m | Luffing Fly Jib Lengths |      |      |      |      |      |      |      |      |      |      |      |
|--|-----------------------------------|-------------------------|------|------|------|------|------|------|------|------|------|------|------|
|  |                                   | 29 m                    | 35 m | 41 m | 47 m | 53 m | 59 m | 65 m | 71 m | 77 m | 83 m | 89 m | 95 m |
| 83.75  | 16                                |                         |      |      |      |      |      |      |      |      |      |      |      |
|  | 18                                |                         |      |      |      |      |      |      |      |      |      |      |      |
|  | 20                                |                         |      |      |      |      |      |      |      |      |      |      |      |
|  | 22                                |                         | 140  | 119  |      |      |      |      |      |      |      |      |      |
|  | 24                                | 148                     | 138  | 119  | 106  |      |      |      |      |      |      |      |      |
|  | 26                                | 148                     | 134  | 119  | 105  | 93   |      |      |      |      |      |      |      |
|  | 28                                | 143                     | 130  | 117  | 105  | 92   | 79   |      |      |      |      |      |      |
|  | 30                                | 137                     | 126  | 115  | 104  | 91   | 79   | 67   |      |      |      |      |      |
|  | 32                                | 133                     | 123  | 113  | 103  | 90   | 78   | 66   | 57   |      |      |      |      |
|  | 34                                | 129                     | 120  | 111  | 102  | 90   | 78   | 66   | 57   | 49   |      |      |      |
|  | 36                                |                         | 100  | 100  | 100  | 88   | 77   | 66   | 57   | 49   | 42   |      |      |
|  | 38                                |                         | 99   | 99   | 99   | 88   | 77   | 66   | 56   | 49   | 42   | 34   |      |
|  | 40                                |                         | 94   | 94   | 94   | 84   | 74   | 65   | 56   | 49   | 42   | 34   | 27   |
|  | 44                                |                         |      | 86   | 84   | 77   | 70   | 63   | 55   | 48   | 41   | 34   | 27   |
|  | 48                                |                         |      |      | 76   | 71   | 66   | 61   | 53   | 47   | 41   | 33   | 26   |
|  | 52                                |                         |      |      | 70   | 66   | 62   | 58   | 52   | 46   | 40   | 33   | 26   |
|  | 56                                |                         |      |      |      | 64   | 60   | 57   | 50   | 44   | 39   | 32   | 26   |
|  | 60                                |                         |      |      |      |      | 59   | 56   | 49   | 43   | 38   | 32   | 26   |
|  | 64                                |                         |      |      |      |      | 58   | 55   | 47   | 42   | 37   | 31   | 26   |
|  | 68                                |                         |      |      |      |      |      | 53   | 46   | 41   | 36   | 30   | 25   |
| 72   |                                   |                         |      |      |      |      |      | 44   | 40   | 36   | 30   | 25   |      |
| 76   |                                   |                         |      |      |      |      |      |      | 37   | 35   | 30   | 25   |      |
| 80   |                                   |                         |      |      |      |      |      |      | 34   | 32   | 27   | 23   |      |
| 84   |                                   |                         |      |      |      |      |      |      |      | 28   | 25   | 22   |      |
| 88   |                                   |                         |      |      |      |      |      |      |      |      | 22   | 21   |      |
| 92   |                                   |                         |      |      |      |      |      |      |      |      |      | 20   |      |
| Zulässige Windstärke<br>Permissible wind force<br>Force de vent<br>admissible (Beaufort) |                                   | 4                       | 4    | 3    | 3    | 3    | 2    | 2    | 2    | 2    | 2    | 2    | 2    |

| Turmlänge<br>Tower Length<br>Longueur tour<br>m  | Ausladung<br>Radii<br>Portee<br>m | Luffing Fly Jib Lengths |      |      |      |      |      |
|--|-----------------------------------|-------------------------|------|------|------|------|------|
|  |                                   | 29 m                    | 35 m | 41 m | 47 m | 53 m | 59 m |
| 89.75  | 22                                |                         | 119  | 119  |      |      |      |
|  | 24                                | 148                     | 119  | 118  | 102  |      |      |
|  | 26                                | 146                     | 119  | 116  | 101  | 90   |      |
|  | 28                                | 141                     | 119  | 113  | 100  | 88   | 77   |
|  | 30                                | 136                     | 119  | 111  | 99   | 88   | 77   |
|  | 32                                | 131                     | 119  | 109  | 98   | 87   | 76   |
|  | 34                                | 125                     | 115  | 106  | 97   | 86   | 75   |
|  | 36                                |                         | 96   | 96   | 96   | 85   | 75   |
|  | 38                                |                         | 95   | 95   | 95   | 85   | 75   |
|  | 40                                |                         | 90   | 90   | 90   | 84   | 72   |
|  | 44                                |                         |      | 83   | 81   | 75   | 69   |
|  | 48                                |                         |      |      | 75   | 70   | 65   |
|  | 52                                |                         |      |      | 70   | 66   | 62   |
|  | 56                                |                         |      |      |      | 64   | 60   |
|  | 60                                |                         |      |      |      |      | 58   |
|  | 64                                |                         |      |      |      |      | 57   |
| Zulässige Windstärke<br>Permissible wind force<br>Force de vent<br>admissible (Beaufort) |                                   | 4                       | 4    | 3    | 3    | 3    | 2    |



1) Only required for AK850 / 1100t-2  
Remarks concerning the lifting capacities :  
See page 5

## Crane with Maxi-lift-Equipment



### Lifting Capacities (t) Maxi-Lift-Equipment

with 43 m Maxi Lift Mast  
Outrigger Base 14,7 x 14,7 m (360°)  
DIN-Ratings

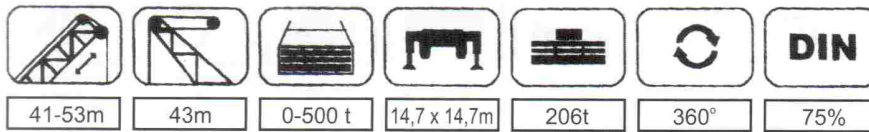
|     |     |         |              |      |      |     |
|-----|-----|---------|--------------|------|------|-----|
|     |     |         |              |      |      |     |
| 35m | 43m | 0-500 t | 14,7 x 14,7m | 206t | 360° | 75% |

| Hauptausleger<br>Main Boom<br>Fleche principale<br>m |    | Maxi-Lift Counterweight |      |      |      |      |      |    |
|--|----|-------------------------|------|------|------|------|------|----|
|  |    | 0T                      | 100T | 200T | 300T | 400T | 500T |    |
| 35   | 10 | 520                     | 650  | 700  |      |      |      | 10 |
|  | 11 |                         |      |      |      |      |      | 11 |
|  | 12 | 422                     | 560  | 670  |      |      |      | 12 |
|  | 14 | 380                     | 500  | 590  | 700  |      |      | 14 |
|  | 16 | 325                     | 430  | 540  | 660  | 700  |      | 16 |
|  | 18 | 285                     | 380  | 480  | 580  | 680  |      | 18 |
|  | 20 | 255                     | 340  | 432  | 524  | 584  |      | 20 |
|  | 22 | 230                     | 310  | 391  | 480  | 565  |      | 22 |
|  | 24 | 205                     | 280  | 357  | 430  | 510  |      | 24 |
|  | 26 | 185                     | 260  | 328  | 400  | 470  |      | 26 |
|  | 28 | 170                     | 245  | 306  | 365  |      |      | 28 |
|  | 30 | 155                     | 225  | 280  | 345  |      |      | 30 |
|  | 32 | 140                     | 206  | 265  | 310  |      |      | 32 |
|  | 34 | 130                     | 199  | 246  |      |      |      | 34 |
| 36   |    |                         |      |      |      |      | 36   |    |
| 38   |    |                         |      |      |      |      | 38   |    |

1) Only required for AK850 / 1100t-2  
Remarks concerning the lifting capacities :  
See page 5

## Lifting Capacities (t) on Maxi-Lift-Equipment

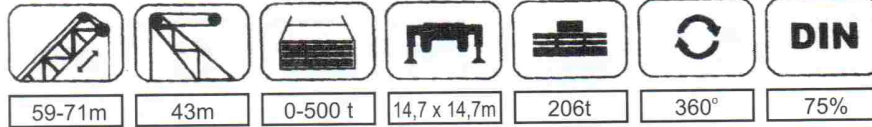
with 43 m Maxi-Lift Mast  
Outrigger base 14,7 x 14,7 m (360°)  
DIN-Ratings



| Hauptausleger<br>Main Boom<br>Flèche principale<br>m |     | Maxi-Lift Conterweight |      |      |      |      |     |      |
|--|-----|------------------------|------|------|------|------|-----|------|
|  |     | 0T                     | 100T | 200T | 300T | 400T |     | 500T |
| 41   | 10  |                        |      |      |      |      |     | 10   |
|  | 11  | 420                    | 570  | 700  |      |      |     | 11   |
|  | 12  | 400                    | 535  | 665  |      |      |     | 12   |
|  | 14  | 360                    | 490  | 580  | 700  |      |     | 14   |
|  | 16  | 310                    | 430  | 535  | 640  |      |     | 16   |
|  | 18  | 272                    | 379  | 478  | 570  | 642  |     | 18   |
|  | 20  | 240                    | 337  | 430  | 523  | 578  |     | 20   |
|  | 22  | 225                    | 307  | 387  | 480  | 563  |     | 22   |
|  | 24  | 200                    | 278  | 352  | 430  | 506  | 585 | 24   |
|  | 26  | 183                    | 253  | 324  | 395  | 467  | 538 | 26   |
|  | 28  | 167                    | 240  | 302  | 362  | 428  | 500 | 28   |
|  | 30  | 152                    | 220  | 287  | 342  | 395  |     | 30   |
|  | 32  | 138                    | 203  | 262  | 310  |      |     | 32   |
|  | 34  | 128                    | 196  | 244  | 300  |      |     | 34   |
|  | 36  | 115                    | 184  | 234  | 284  |      |     | 36   |
| 38   | 110 | 174                    | 225  | 274  |      |      | 38  |      |
| 47   | 12  | 390                    | 515  | 655  |      |      |     | 12   |
|  | 14  | 350                    | 480  | 570  |      |      |     | 14   |
|  | 16  | 295                    | 430  | 528  | 630  |      |     | 16   |
|  | 18  | 260                    | 377  | 476  | 565  | 636  |     | 18   |
|  | 20  | 230                    | 334  | 428  | 524  | 575  |     | 20   |
|  | 22  | 218                    | 304  | 384  | 478  | 561  | 630 | 22   |
|  | 24  | 195                    | 276  | 348  | 430  | 503  | 582 | 24   |
|  | 26  | 180                    | 246  | 320  | 392  | 464  | 536 | 26   |
|  | 28  | 164                    | 232  | 298  | 359  | 424  | 500 | 28   |
|  | 30  | 148                    | 216  | 283  | 338  | 393  | 470 | 30   |
|  | 32  | 136                    | 200  | 260  | 310  | 374  | 420 | 32   |
|  | 34  | 126                    | 194  | 242  | 298  | 355  |     | 34   |
|  | 36  | 114                    | 182  | 232  | 281  | 336  |     | 36   |
|  | 38  | 108                    | 171  | 221  | 270  |      |     | 38   |
|  | 40  | 99                     | 163  | 208  | 254  |      |     | 40   |
| 44   | 84  | 144                    | 192  | 228  |      |      | 44  |      |
| 48   |     |                        |      |      |      |      | 48  |      |
| 50   |     |                        |      |      |      |      | 50  |      |
| 53   | 12  |                        |      |      |      |      |     | 12   |
|  | 14  | 330                    | 475  | 560  | 660  |      |     | 14   |
|  | 16  | 281                    | 430  | 525  | 610  |      |     | 16   |
|  | 18  | 250                    | 375  | 475  | 560  | 630  |     | 18   |
|  | 20  | 220                    | 330  | 425  | 520  | 570  |     | 20   |
|  | 22  | 212                    | 300  | 380  | 475  | 560  | 638 | 22   |
|  | 24  | 190                    | 275  | 344  | 430  | 500  | 580 | 24   |
|  | 26  | 176                    | 240  | 316  | 390  | 460  | 530 | 26   |
|  | 28  | 160                    | 226  | 295  | 356  | 424  | 485 | 28   |
|  | 30  | 145                    | 212  | 280  | 335  | 390  | 450 | 30   |
|  | 32  | 134                    | 198  | 256  | 310  | 370  | 430 | 32   |
|  | 34  | 124                    | 191  | 240  | 295  | 350  | 400 | 34   |
|  | 36  | 112                    | 179  | 230  | 278  | 331  | 372 | 36   |
|  | 38  | 105                    | 168  | 218  | 266  | 316  | 348 | 38   |
|  | 40  | 96                     | 159  | 205  | 250  | 298  | 332 | 40   |
| 44   | 81  | 140                    | 188  | 224  | 265  |      | 44  |      |
| 48   | 73  | 122                    | 168  | 203  | 236  |      | 48  |      |
| 50   | 68  | 118                    | 156  | 188  |      |      | 50  |      |

## Lifting Capacities (t) on Maxi-Lift-Equipment

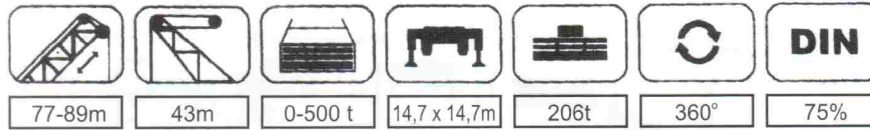
with 43 m Maxi-Lift Mast  
Outrigger base 14,7 x 14,7 m (360°)  
DIN-Ratings



| Hauptausleger<br>Main Boom<br>Fleche principale<br>m |    | Maxi-Lift Counterweight |      |      |      |      |     |      |
|--|----|-------------------------|------|------|------|------|-----|------|
|  |    | 0T                      | 100T | 200T | 300T | 400T |     | 500T |
| 59   | 14 | 312                     | 445  |      |      |      |     | 14   |
|  | 16 | 278                     | 415  | 520  | 590  |      |     | 16   |
|  | 18 | 245                     | 368  | 466  | 552  | 560  |     | 18   |
|  | 20 | 219                     | 322  | 420  | 510  | 556  |     | 20   |
|  | 22 | 211                     | 294  | 374  | 468  | 555  |     | 22   |
|  | 24 | 190                     | 272  | 338  | 424  | 493  | 577 | 24   |
|  | 26 | 173                     | 239  | 309  | 385  | 452  | 525 | 26   |
|  | 28 | 158                     | 225  | 290  | 354  | 417  | 480 | 28   |
|  | 30 | 144                     | 210  | 274  | 332  | 385  | 443 | 30   |
|  | 34 | 122                     | 188  | 238  | 288  | 343  | 389 | 34   |
|  | 38 | 103                     | 165  | 210  | 261  | 313  | 345 | 38   |
|  | 42 | 90                      | 146  | 192  | 234  | 290  | 327 | 42   |
|  | 46 | 78                      | 128  | 172  | 210  | 249  | 290 | 46   |
|  | 50 | 67                      | 116  | 152  | 186  | 231  | 260 | 50   |
|  | 54 | 64                      | 110  | 140  | 174  | 192  | 242 | 54   |
|  | 58 |                         |      |      |      |      |     | 58   |
| 60   |    |                         |      |      |      |      | 60  |      |
| 65   | 14 |                         |      |      |      |      |     | 14   |
|  | 16 | 275                     | 400  | 515  | 580  |      |     | 16   |
|  | 18 | 240                     | 370  | 458  | 548  |      |     | 18   |
|  | 20 | 218                     | 316  | 418  | 502  | 560  |     | 20   |
|  | 22 | 210                     | 286  | 366  | 460  | 550  |     | 22   |
|  | 24 | 190                     | 270  | 336  | 416  | 486  | 575 | 24   |
|  | 26 | 170                     | 239  | 308  | 380  | 446  | 520 | 26   |
|  | 28 | 157                     | 224  | 284  | 351  | 410  | 473 | 28   |
|  | 30 | 143                     | 209  | 266  | 328  | 380  | 435 | 30   |
|  | 34 | 120                     | 185  | 236  | 288  | 343  | 389 | 34   |
|  | 38 | 100                     | 162  | 205  | 258  | 310  | 342 | 38   |
|  | 42 | 93                      | 143  | 188  | 230  | 274  | 319 | 42   |
|  | 46 | 79                      | 126  | 166  | 207  | 246  | 282 | 46   |
|  | 50 | 66                      | 115  | 148  | 185  | 228  | 255 | 50   |
|  | 54 | 61                      | 106  | 137  | 171  | 209  | 238 | 54   |
|  | 58 | 55                      | 96   | 128  | 157  | 188  |     | 58   |
| 60   | 50 | 85                      | 119  | 145  | 174  |      | 60  |      |
| 71   | 16 | 260                     | 390  | 505  |      |      |     | 16   |
|  | 18 | 232                     | 368  | 445  | 540  |      |     | 18   |
|  | 20 | 216                     | 313  | 400  | 490  | 545  |     | 20   |
|  | 22 | 205                     | 283  | 365  | 450  | 530  |     | 22   |
|  | 24 | 185                     | 265  | 335  | 400  | 480  |     | 24   |
|  | 26 | 168                     | 238  | 306  | 375  | 440  | 518 | 26   |
|  | 28 | 155                     | 222  | 280  | 348  | 400  | 470 | 28   |
|  | 30 | 141                     | 205  | 264  | 324  | 375  | 430 | 30   |
|  | 34 | 119                     | 180  | 232  | 284  | 340  | 380 | 34   |
|  | 38 | 98                      | 160  | 200  | 254  | 305  | 340 | 38   |
|  | 42 | 90                      | 140  | 180  | 225  | 270  | 315 | 42   |
|  | 46 | 76                      | 123  | 162  | 203  | 243  | 278 | 46   |
|  | 50 | 65                      | 112  | 146  | 183  | 223  | 252 | 50   |
|  | 54 | 60                      | 100  | 134  | 168  | 205  | 234 | 54   |
|  | 58 | 53                      | 91   | 124  | 154  | 188  | 217 | 58   |
|  | 62 | 44                      | 86   | 112  | 140  | 172  | 200 | 62   |
| 64   | 34 | 73                      | 97   | 127  | 150  |      | 64  |      |
| 66   |    |                         |      |      |      |      | 66  |      |
| 68   |    |                         |      |      |      |      | 68  |      |
| 72   |    |                         |      |      |      |      | 72  |      |

## Lifting Capacities (t) on Maxi-Lift-Equipment

with 43 m Maxi-Lift Mast  
Outrigger base 14,7 x 14,7 m (360°)  
DIN-Ratings

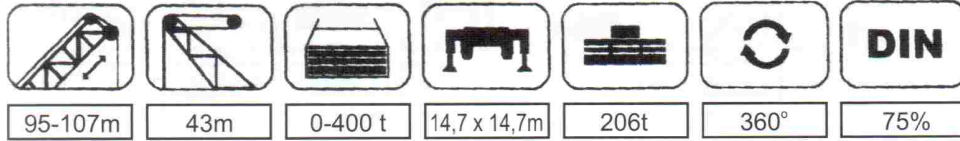


| Hauptausleger<br>Main Boom<br>Fleche principale<br>m |    | Maxi-Lift Counterweight |      |      |      |      |     |      |
|--|----|-------------------------|------|------|------|------|-----|------|
|  |    | 0T                      | 100T | 200T | 300T | 400T |     | 500T |
| 77   | 16 |                         |      |      |      |      |     | 16   |
|  | 18 | 225                     | 365  | 410  |      |      |     | 18   |
|  | 20 | 215                     | 310  | 380  |      |      |     | 20   |
|  | 22 | 200                     | 280  | 365  | 415  |      |     | 22   |
|  | 24 | 180                     | 260  | 335  | 385  |      |     | 24   |
|  | 26 | 166                     | 237  | 305  | 370  |      |     | 26   |
|  | 28 | 153                     | 220  | 278  | 345  |      |     | 28   |
|  | 30 | 140                     | 200  | 262  | 320  | 370  |     | 30   |
|  | 34 | 118                     | 176  | 228  | 278  | 335  |     | 34   |
|  | 38 | 97                      | 157  | 196  | 250  | 300  | 337 | 38   |
|  | 42 | 85                      | 135  | 175  | 220  | 266  | 310 | 42   |
|  | 46 | 74                      | 120  | 158  | 200  | 240  | 272 | 46   |
|  | 50 | 64                      | 110  | 145  | 180  | 218  | 248 | 50   |
|  | 54 | 58                      | 97   | 130  | 166  | 200  | 230 | 54   |
|  | 58 | 50                      | 87   | 120  | 152  | 181  | 210 | 58   |
|  | 62 | 42                      | 79   | 110  | 138  | 170  | 195 | 62   |
|  | 64 |                         |      |      |      |      |     | 64   |
|  | 66 | 36                      | 74   | 100  | 130  | 157  | 180 | 66   |
| 68   | 32 | 70                      | 94   | 124  | 148  | 172  | 68  |      |
| 72   | 27 | 64                      | 90   | 117  | 140  |      | 72  |      |
| 83   | 18 | 220                     | 360  | 400  |      |      |     | 18   |
|  | 20 | 213                     | 300  | 365  |      |      |     | 20   |
|  | 22 | 198                     | 280  | 352  | 400  |      |     | 22   |
|  | 24 | 178                     | 260  | 330  | 382  |      |     | 24   |
|  | 26 | 164                     | 233  | 304  | 360  |      |     | 26   |
|  | 28 | 151                     | 220  | 272  | 338  |      |     | 28   |
|  | 30 | 140                     | 200  | 260  | 318  | 360  |     | 30   |
|  | 32 |                         |      |      |      |      |     | 32   |
|  | 34 | 119                     | 174  | 226  | 276  | 310  |     | 34   |
|  | 36 |                         |      |      |      |      |     | 36   |
|  | 38 | 97                      | 154  | 195  | 246  | 296  |     | 38   |
|  | 40 | 88                      | 145  | 183  | 233  | 274  | 312 | 40   |
|  | 44 | 77                      | 123  | 163  | 206  | 253  | 285 | 44   |
|  | 48 | 64                      | 111  | 150  | 191  | 229  | 262 | 48   |
|  | 52 | 57                      | 100  | 136  | 170  | 206  | 237 | 52   |
|  | 56 | 48                      | 90   | 123  | 156  | 191  | 217 | 56   |
|  | 60 | 38                      | 71   | 113  | 144  | 173  | 188 | 60   |
|  | 64 | 32                      | 73   | 103  | 131  | 160  | 175 | 64   |
| 68   |    |                         |      |      |      |      | 68  |      |
| 70   |    | 63                      | 90   | 118  | 142  | 160  | 70  |      |
| 72   |    |                         |      |      |      |      | 72  |      |
| 76   |    | 52                      | 83   | 108  | 139  | 147  | 76  |      |
| 80   |    |                         |      |      |      |      | 80  |      |
| 89   | 18 |                         |      |      |      |      |     | 18   |
|  | 20 | 212                     | 310  | 352  |      |      |     | 20   |
|  | 22 | 196                     | 276  | 340  |      |      |     | 22   |
|  | 24 |                         |      |      |      |      |     | 24   |
|  | 26 | 163                     | 236  | 302  | 350  |      |     | 26   |
|  | 28 |                         |      |      |      |      |     | 28   |
|  | 30 | 140                     | 200  | 256  | 315  |      |     | 30   |
|  | 32 | 126                     | 185  | 240  | 297  | 308  |     | 32   |
|  | 34 |                         |      |      |      |      |     | 34   |
|  | 36 | 110                     | 160  | 210  | 258  | 280  |     | 36   |
|  | 38 |                         |      |      |      |      |     | 38   |
|  | 40 | 86                      | 144  | 185  | 230  | 265  | 290 | 40   |
|  | 44 | 74                      | 123  | 162  | 203  | 250  | 280 | 44   |
|  | 48 | 60                      | 108  | 150  | 190  | 224  | 260 | 48   |
|  | 52 | 50                      | 97   | 135  | 170  | 203  | 230 | 52   |
|  | 56 | 40                      | 88   | 121  | 155  | 189  | 200 | 56   |
|  | 60 | 30                      | 80   | 112  | 143  | 171  | 174 | 60   |
|  | 64 | 25                      | 70   | 100  | 128  | 158  | 168 | 64   |
| 68   | 20 | 62                      | 94   | 120  | 149  | 158  | 64  |      |
| 70   |    |                         |      |      |      |      | 70  |      |
| 72   |    | 55                      | 86   | 110  | 137  | 151  | 72  |      |
| 76   |    | 50                      | 80   | 105  | 128  | 140  | 76  |      |
| 80   |    | 44                      | 75   | 98   | 120  |      | 80  |      |

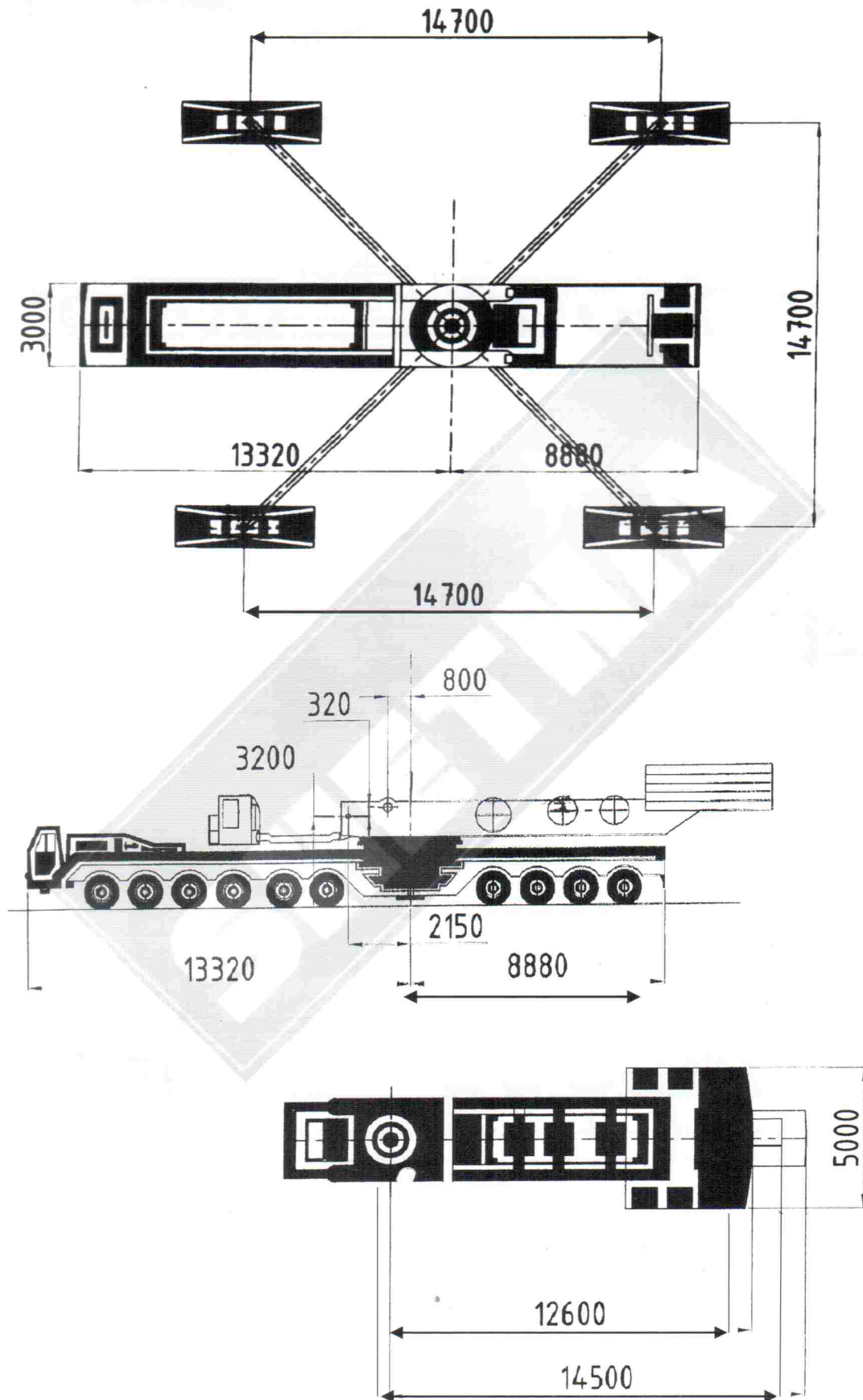


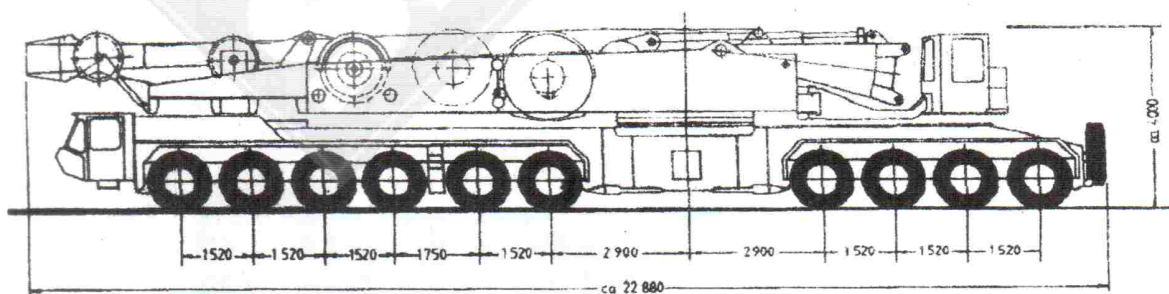
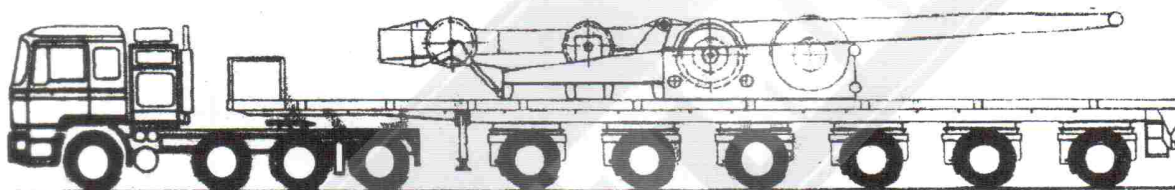
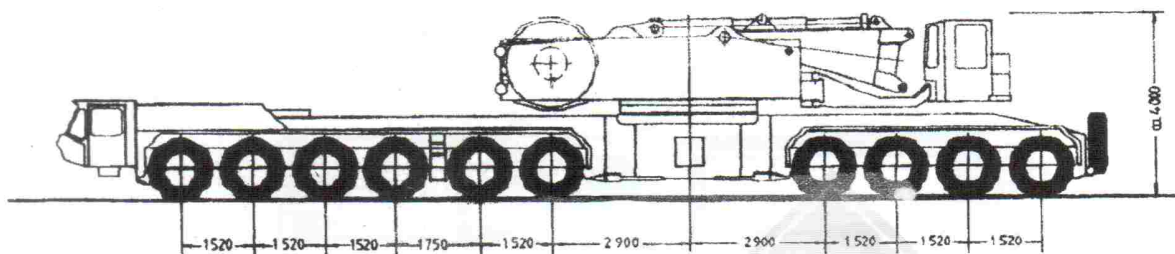
## Lifting Capacities (t) on Maxi-Lift-Equipment

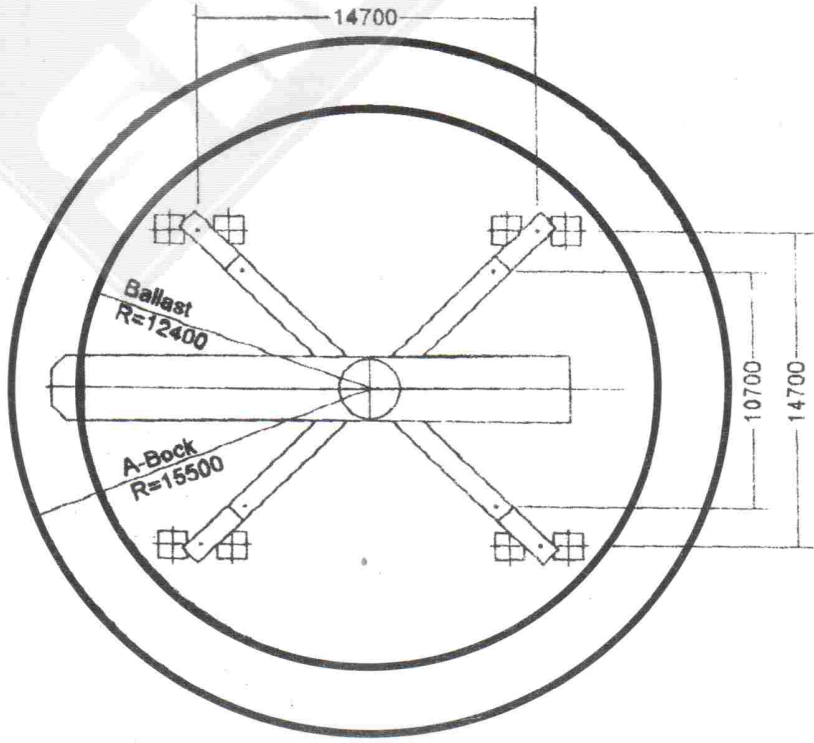
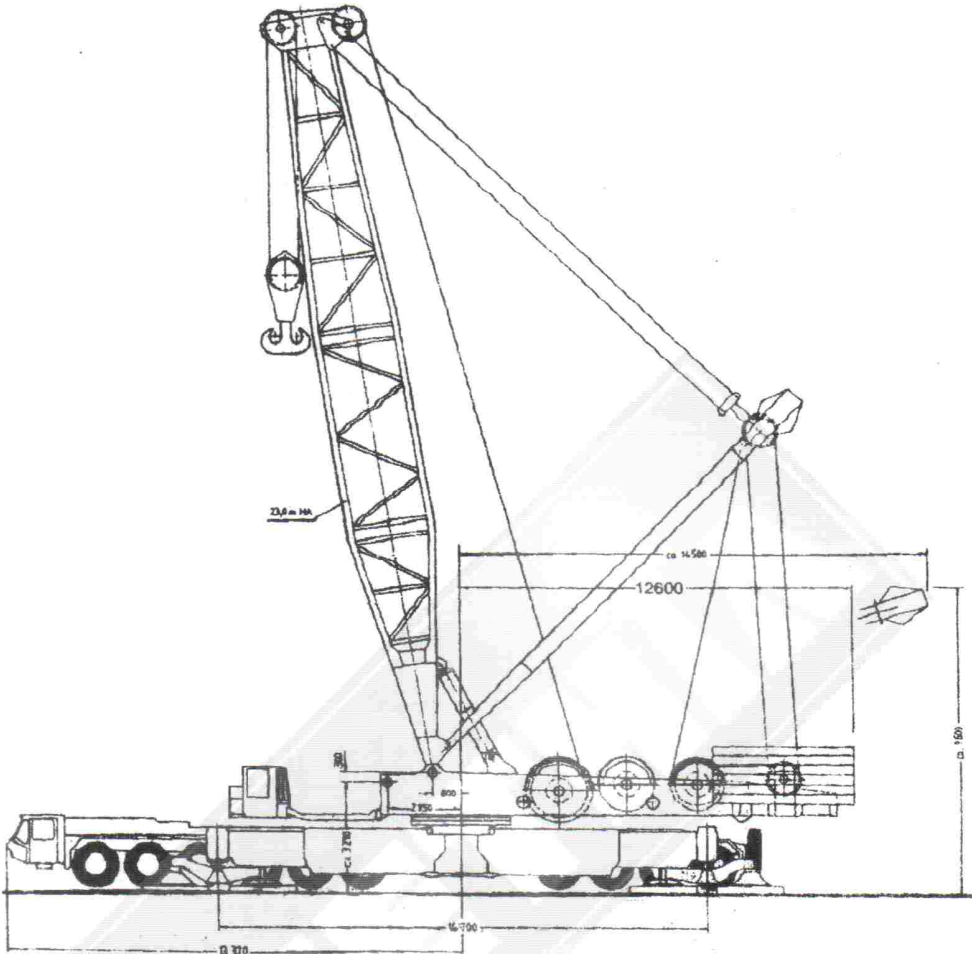
with 43 m Maxi-Lift Mast  
Outrigger base 14,7 x 14,7 m (360°)  
DIN-Ratings



| Hauptausleger<br>Main Boom<br>Fleche principale<br>m |    | Maxi-Lift Counterweight |      |      |      |      |    |
|--|----|-------------------------|------|------|------|------|----|
|  |    | 0T                      | 100T | 200T | 300T | 400T |    |
| 95   | 20 | 200                     | 300  |      |      |      | 20 |
|  | 24 | 160                     | 270  |      |      |      | 24 |
|  | 28 | 143                     | 217  | 260  |      |      | 28 |
|  | 32 | 120                     | 179  | 238  | 288  |      | 32 |
|  | 36 | 103                     | 160  | 209  | 250  |      | 36 |
|  | 40 | 82                      | 138  | 184  | 226  | 272  | 40 |
|  | 44 | 71                      | 123  | 161  | 202  | 255  | 44 |
|  | 48 | 58                      | 107  | 149  | 188  | 230  | 48 |
|  | 52 | 48                      | 96   | 134  | 168  | 210  | 52 |
|  | 56 | 39                      | 85   | 120  | 154  | 190  | 56 |
|  | 60 | 30                      | 78   | 110  | 141  | 170  | 60 |
|  | 64 | 25                      | 69   | 99   | 126  | 163  | 64 |
|  | 68 | 20                      | 62   | 93   | 118  | 148  | 68 |
|  | 72 |                         | 54   | 85   | 109  | 135  | 72 |
|  | 76 |                         | 48   | 79   | 103  | 125  | 76 |
| 80   |    | 42                      | 74   | 96   | 118  | 80   |    |
| 84   |    | 36                      | 68   | 90   | 110  | 84   |    |
| 101  | 20 |                         |      |      |      |      | 20 |
|  | 24 | 155                     | 260  |      |      |      | 24 |
|  | 28 | 138                     | 215  | 252  |      |      | 58 |
|  | 32 | 115                     | 180  | 236  |      |      | 32 |
|  | 36 | 98                      | 160  | 208  | 240  |      | 36 |
|  | 40 | 79                      | 136  | 183  | 223  |      | 40 |
|  | 44 | 69                      | 123  | 160  | 201  |      | 44 |
|  | 48 | 56                      | 106  | 148  | 186  |      | 48 |
|  | 52 | 45                      | 95   | 132  | 166  |      | 52 |
|  | 56 | 38                      | 83   | 118  | 152  |      | 56 |
|  | 60 | 30                      | 76   | 109  | 140  |      | 60 |
|  | 64 | 25                      | 68   | 98   | 124  |      | 64 |
|  | 68 | 20                      | 61   | 92   | 120  |      | 68 |
|  | 72 |                         | 53   | 84   | 108  |      | 72 |
|  | 76 |                         | 46   | 78   | 102  |      | 76 |
| 80   |    | 40                      | 72   | 94   |      | 80   |    |
| 84   |    | 33                      | 67   | 88   |      | 84   |    |
| 107  | 20 |                         |      |      |      |      | 20 |
|  | 24 | 150                     | 250  |      |      |      | 24 |
|  | 28 | 130                     | 212  | 246  |      |      | 28 |
|  | 32 | 110                     | 180  | 235  |      |      | 32 |
|  | 36 | 90                      | 160  | 207  | 230  |      | 36 |
|  | 40 | 76                      | 135  | 182  | 218  |      | 40 |
|  | 44 | 67                      | 123  | 160  | 200  |      | 44 |
|  | 48 | 55                      | 105  | 147  | 185  |      | 48 |
|  | 52 | 43                      | 95   | 131  | 165  |      | 52 |
|  | 56 | 37                      | 80   | 117  | 150  |      | 56 |
|  | 60 | 29                      | 74   | 108  | 138  |      | 60 |
|  | 64 | 25                      | 67   | 97   | 122  |      | 64 |
|  | 68 | 20                      | 60*  | 90   | 115  |      | 68 |
|  | 72 |                         | 52   | 83   | 108  |      | 72 |
|  | 76 |                         | 45   | 77   | 100  |      | 76 |
| 80   |    | 38                      | 70   | 92   |      | 80   |    |
| 84   |    | 30                      | 66   | 87   |      | 84   |    |







# GOTTWALD

AK850/1100 t



**GOTTWALD**