



# MODEL 2020SC/4040SC

“MINIJACKS”

## CAPACITY:

### 4 Point - MODEL 4040SC

40 (36) tons to 16'1/8" (4880 mm)

### 2 Point - MODEL 2020SC

20 (18) tons to 16'1/8" (4880 mm)

Max. Operating PSI: 1800 (124 bar)

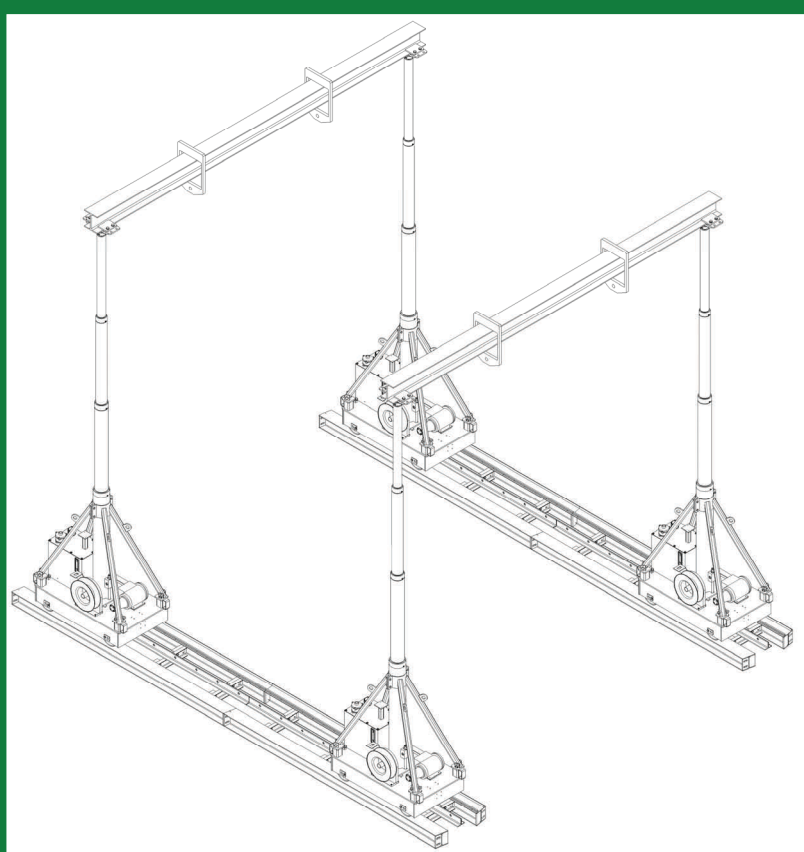
## BASE DIMENSIONS:

Length: 51" (1295 mm)

Width: 28" (711 mm)

Height Retracted: 6'1/8" (1832 mm)

Weight: 1850 lbs. (817kg)



## STANDARD FEATURES

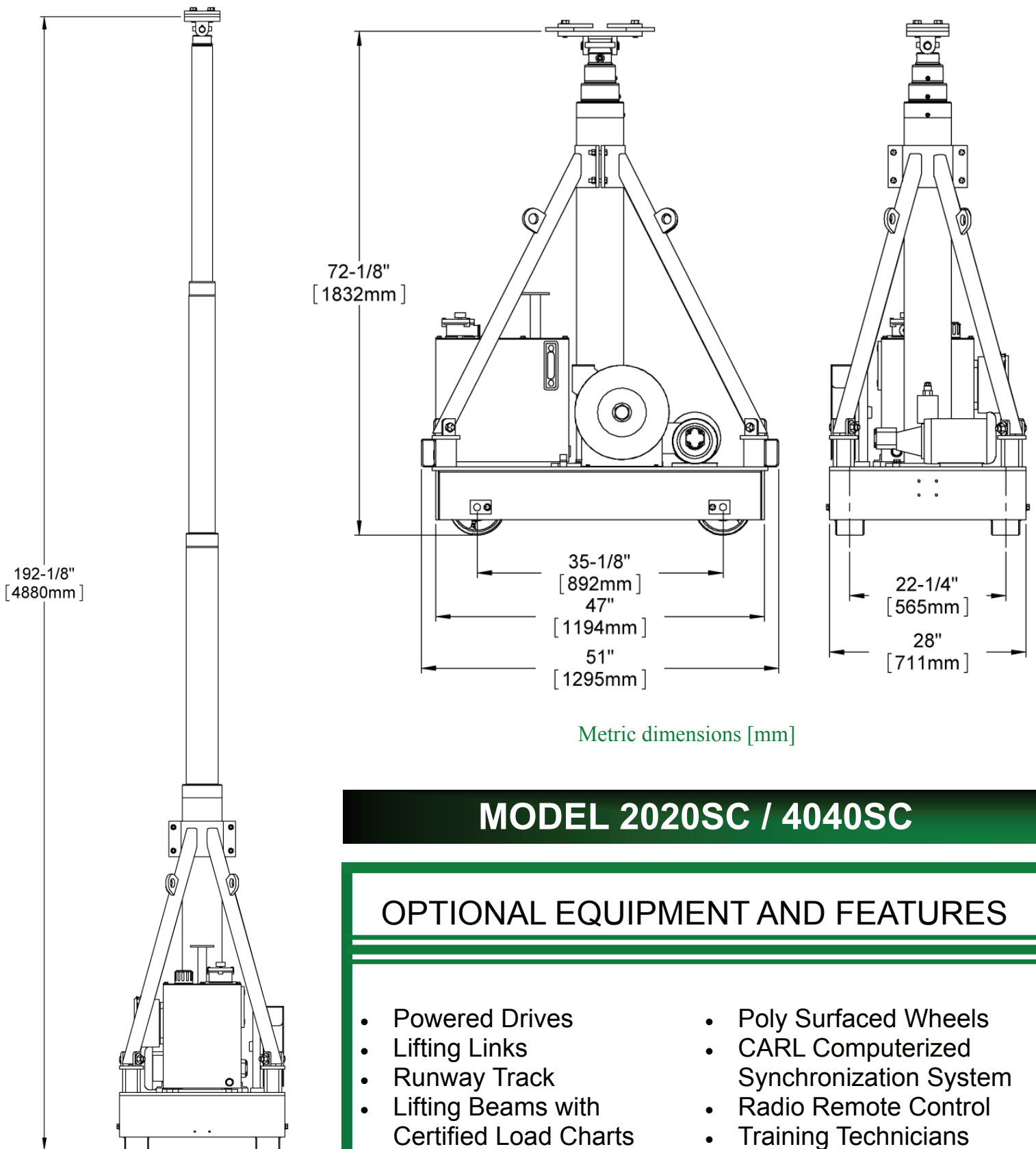
- Double acting cylinders
- Safety holding valves
- Self Contained Hydraulics
- Pendant Control
- Positioning Handle
- 110 volt / 60 Hz / 20 amp draw
- 220 volt power optional
- 14 Gallon (53 l) reservoir
- 1 g.p.m. pump

## LIFT SYSTEMS, INC.

OFFICE:  
1505 - 7th Street  
East Moline, IL 61244

MAILING ADDRESS:  
P.O. Box 906  
Moline, IL 61266

TEL: +1-309-764-9842  
FAX: +1-309-764-9848  
EMAIL: [liftit@lift-systems.com](mailto:liftit@lift-systems.com)  
WEB: [www.lift-systems.com](http://www.lift-systems.com)



## MODEL 2020SC / 4040SC

### OPTIONAL EQUIPMENT AND FEATURES

- Powered Drives
- Lifting Links
- Runway Track
- Lifting Beams with Certified Load Charts
- Side Shift Systems
- Poly Surfaced Wheels
- CARL Computerized Synchronization System
- Radio Remote Control
- Training Technicians

### LIFT SYSTEMS, INC.

OFFICE:  
1505 - 7th Street  
East Moline, IL 61244

MAILING ADDRESS:  
P.O. Box 906  
Moline, IL 61266

TEL: +1-309-764-9842  
FAX: +1-309-764-9848  
EMAIL: [liftit@lift-systems.com](mailto:liftit@lift-systems.com)  
WEB: [www.lift-systems.com](http://www.lift-systems.com)



# LIFT SYSTEMS, INC.

## MINIJACK AND MIGHTY MINIJACK ACCESSORIES



**OPTIONAL EQUIPMENT AVAILABLE FOR MODELS  
2020SC, 2033SC, and 2033SCT**

## DRIVES

- Removable hydraulic drive
- Ratchet lift feature for freewheel
- High traction rubber wheel
- Can be added to most existing units
- All current production units are prepped for the addition of drives at a future date
- Can be purchased as a stand alone, self-installation kit



## RISERS

- Add 5' (1.5m) of additional height to your system in minutes
- No shimming
- Accepts 2020SC through 2033SCT base widths with no adjustment needed
- Accepts hydraulic pin-on drives
- Full lifting capacity is maintained



## RUNWAY TRACK



- 6" tall runway track with adjustable width to accept both 2020SC and 2033SCT bases
- Great for spanning pits and channels
- Maximize floor protection and weight distribution
- Lightweight for ease of shipment and handling
- Available in 10' sections



# LIFT SYSTEMS, INC.

## MINIJACK AND MIGHTY MINIJACK ACCESSORIES



## ROLLING LINK SIDE SHIFT SYSTEM



- Side shift loads in a controlled manner
- Rolling Links and clamp provide positive load attachment to beam
- Various cylinder lengths available
- Allows for fine adjustment and placement of loads



## LIFTING BEAMS



- Lift Beams available in various sizes and weights to accommodate most load arrangements
- Mill Test Certs available
- Custom designed and fabricated beams available for special applications

## LIFTING LINKS

- Lift Links allow for load attachment to the lifting beam
- Various sizes/capacities available to accommodate most beam sizes



## HEADER PLATE EXTENDERS



- Header plate extenders are available to allow the jacks to accept a wider flange beam than standard
- Bolt on for ease of installation
- Custom designed and fabricated depending upon beam size to be used

### LIFT SYSTEMS, INC.

OFFICE:  
1505 - 7th Street  
East Moline, IL 61244

MAILING ADDRESS:  
P.O. Box 906  
Moline, IL 61266

TEL: +1-309-764-9842  
FAX: +1-309-764-9848  
EMAIL: [liftit@lift-systems.com](mailto:liftit@lift-systems.com)  
WEB: [www.lift-systems.com](http://www.lift-systems.com)