

**KATO**

# **CR-250**

## **CITYRANGE CRANE**



- Maximum rated lifting capacity: 25t 360°
- Maximum boom length: 28.0m



**A new type of Crane, the CR-250 CITYRANGE CRANE packs a lot of punch into a small machine.**



## **Features of the CITYRANGE CRANE**

- 1) Compact for driving.
- 2) Five steering modes.
- 3) Compact tail radius for confined area.
- 4) Six-section, full power 28m main boom.
- 5) Twin winches and rooster sheave as standard. (Four ton line pull on the rooster sheave).
- 6) Side-stowed underslung fly jib (optional). 5.4m/8.2m two sections with offset angles of 5°, 25° and 45°.
- 7) New hook stowage system.
- 8) Safe load indicator with "working range limit mode". Kato MULTIVISION ACS MS-15C-V fitted as standard.





**A versatile crane backed by Kato reliability A true professional that gets the job done.**



**SIX-SECTION, 28M MAIN BOOM**

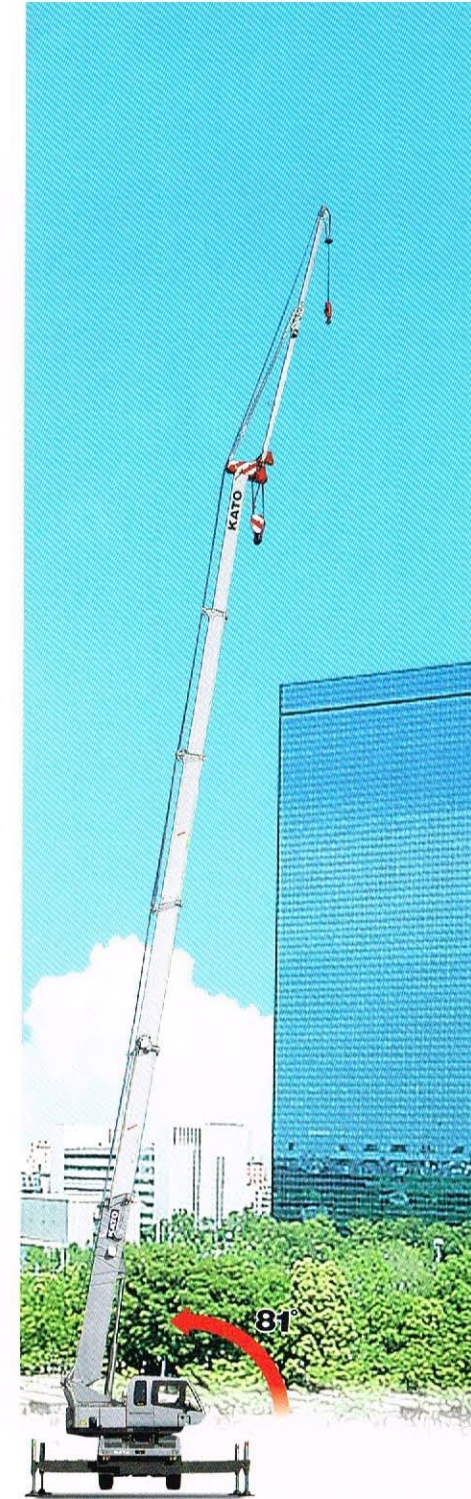
● This very long boom is fully powered throughout its extension and retraction between 6.7m and 28.0m. Its maximum hook height is 28.9m.

**SIDE-STOWED UNDERSLUNG FLY JIB (optional)**

● 5.2m/8.2m two sections with offset angles of 5°, 25° and 45°. Maximum hook height using the jib is 37.1m. You can rig the jib even on a cramped site and the choice of three offset angles is ideal for working close up against buildings and for lifting to and from rooftops.

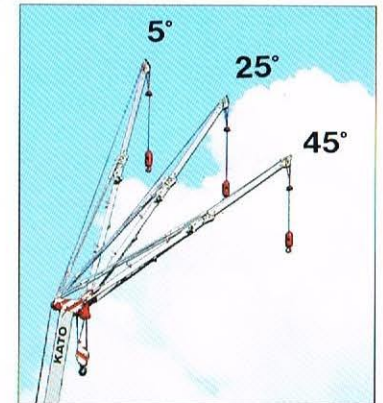
**COMPACT TAIL RADIUS AT CRANE OPERATION**

● The compact tail radius doesn't waste space on site. The radius of the counterweight: 2.23m (2.4m at the wire guide sheave)



**MULTI-PUMP SYSTEM**

● The multi-pump system (with four pumps) provides precision in fine control and combined operations.



**HOOK STOWAGE SYSTEM**

● This system stows the hook by remote control from the cab. It allows swift preparation work and hook stowing at inside buildings or in other places where derricking is restricted.

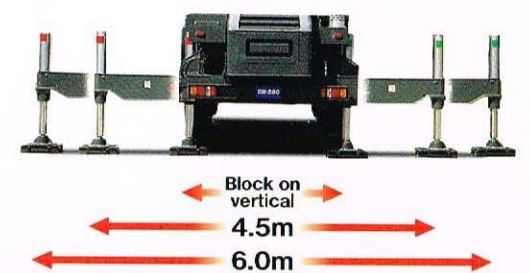


**TWIN WINCHES AND ROOSTER SHEAVE AS STANDARD**

● Twin high-speed winches, bursting with newly developed strength, are fitted as standard. The rooster sheave achieves remarkable working efficiency with a maximum line pull capacity of 4 tons.

**THREE-POSITION OUTRIGGERS SETTING**

● The outriggers are designed with three extension positions of 6m, 4.5m and block on vertical cylinders.



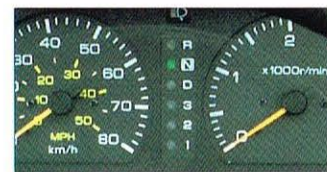


## A spec defined for the professional crane operator.



### SEAT-SIDE LEVERS

• The control levers at the side of the seat allow for a relaxed operation whilst maintaining the simplicity, precision and reliability of long levers.



• Panel with shift position indicator

## An Industry First: "MULTIVISION"

Kato's proven safe load indicator, the MULTIVISION ACS MS-15C-V, is fitted as standard. It displays a number of convenient reference modes.

**WORKING RANGE LIMITING FUNCTION**

- Max. lift limit
- Working radius limit
- Boom upper angle limit
- Boom lower angle limit

Working range limit mode

Working radius-performance curve mode

Working status setting mode

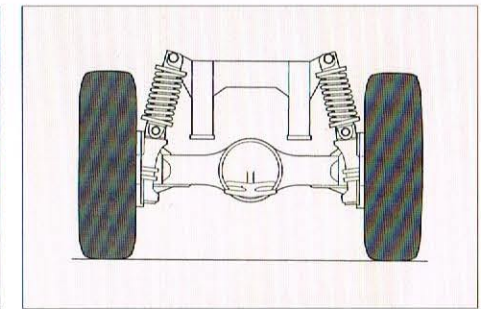
Check mode

## A new choice the CITYRANGE CRANE embodies enormous latent potential.



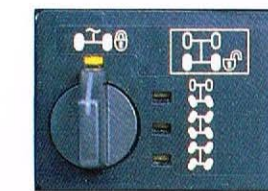
### FULL AUTOMATIC TRANSMISSION WITH HIGH/LOW TRANSFER

• Using the optimum gear ratio combination of 4 forward and 2 reverse speeds with High/Low select, this gearbox maximizes engine power and increases fuel economy as well as providing comfortable and satisfying driving.  
Geared to make the most of the engine power.

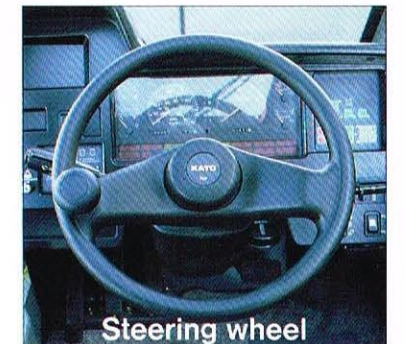


### THE COIL SPRING SUSPENSION & DISK BRAKE

• The design of the coil spring suspension is rugged and elegantly simple. It is fitted with shock absorbers for stability in forward motion and precise cornering.  
• The machine is equipped with disk brakes of proven strength on all four wheels.



• Dial switch to select the modes

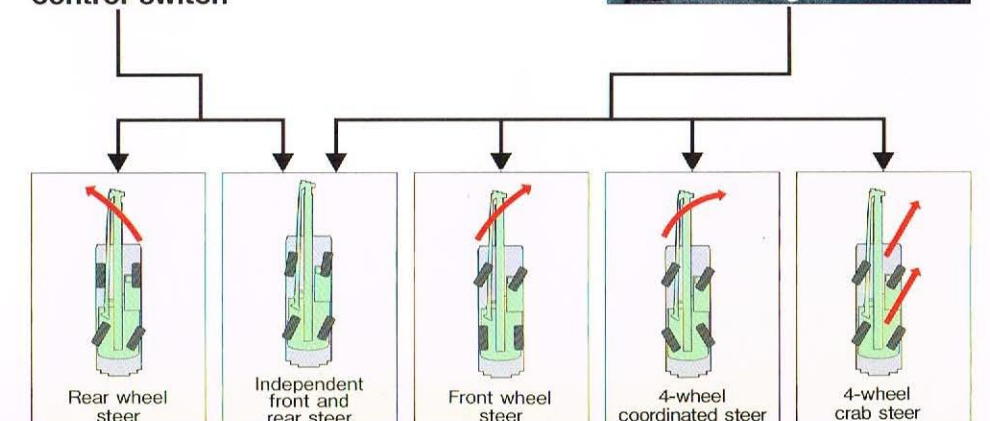


Steering wheel

### FIVE STEERING MODES

• The five steering mode system lets the CR-250 move freely around crowded or cramped working sites where a normal crane would have difficulty. The operator can select mode using a simple dial switch.

Rear steering control switch







- \* Some differences may arise between the machine delivered and the photographs in the catalogue due to the country the crane will be used in or any added improvements.  
Note that the specification may be altered without notice.
- \* Before you use the crane read the instruction manual thoroughly and obey the instructions it contains.
- \* The actual colors of the body and interior decor may appear slightly different from those depicted due to limitations of photography and printing.

Address inquiries to:



## KATO WORKS CO.,LTD.

9-37, Higashi-ohi 1-chome, Shinagawa-ku, Tokyo 140, Japan.  
 Tel. : Head Office Tokyo (03)3458-1111  
       Overseas Marketing Department Tokyo (03)3458-1115  
 Telex : 222-4519 (CRKATO J)  
 Fax. : Tokyo (03)3458-1152  
 Cable: CRANEKATO TOKYO