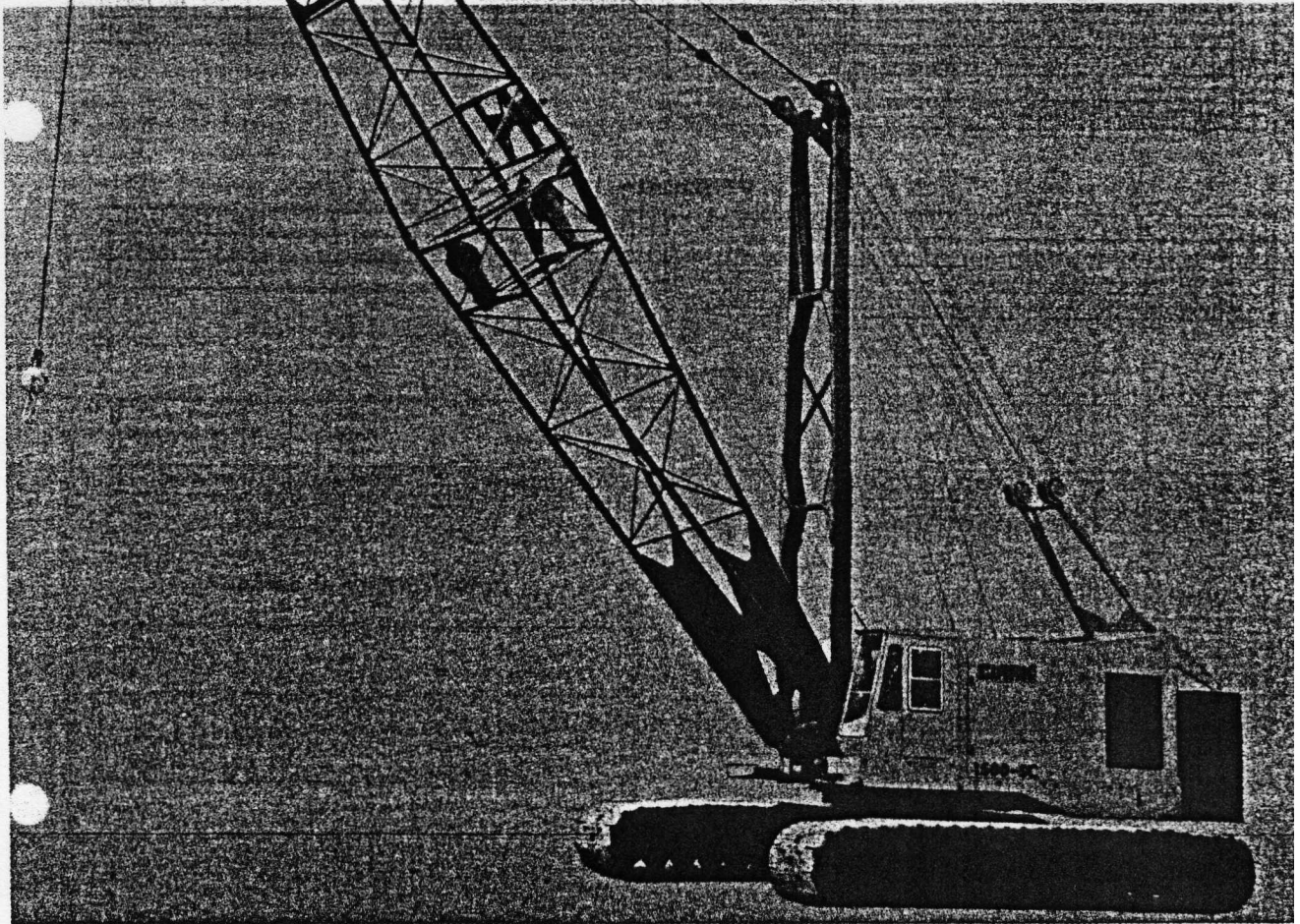
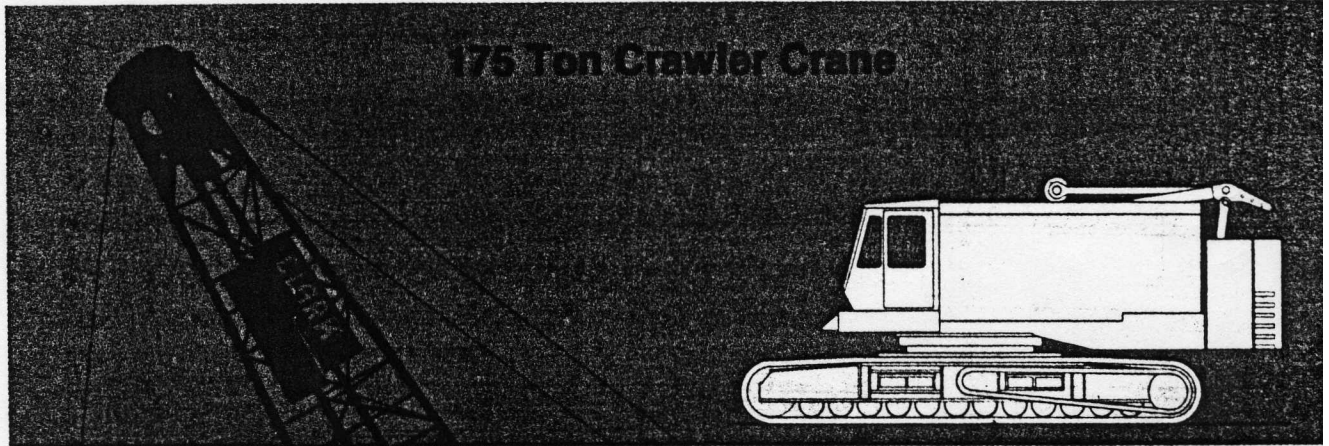
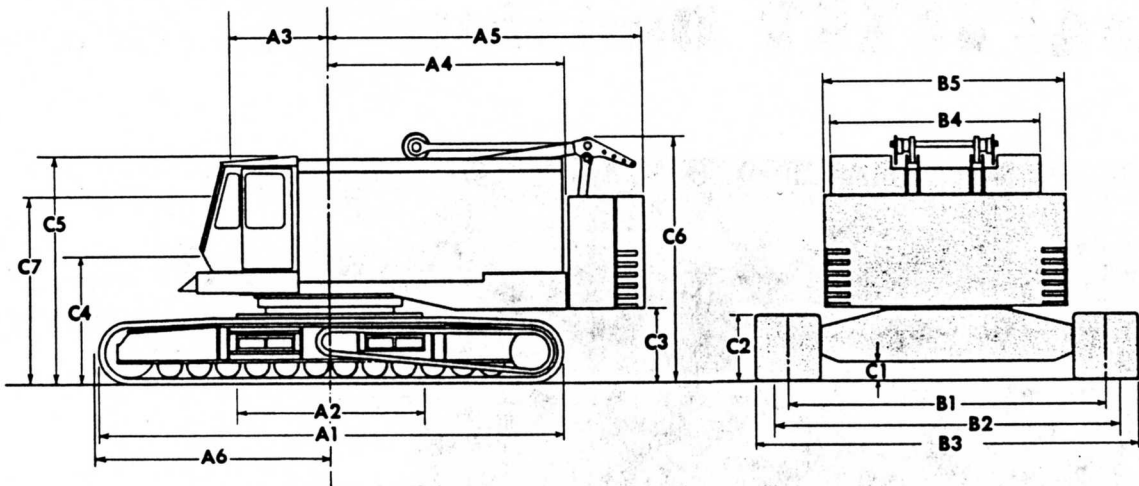


CLARK Crane Division 1500-SC

Specifications



CLEARANCE AND DIMENSIONS



FRONT TO BACK

SIDE TO SIDE

A1.	Crawler Length	24'- 9 1/2" (7.55m)
A2.	Truck Base Length	10'- 2 1/4" (3.10m)
A3.	C Boom Foot to C Rotation	5'- 3 1/2" (1.61m)
A4.	Rear End Swing—Rotating Unit	14'- 8 1/2" (4.48m)
A5.	Rear End Swing—57,500# (26082kg) Cwt.	16'- 8 1/2" (5.09m)
	Rear End Swing—100,000# (45360kg) Cwt.	17'- 6 1/2" (5.34m)
	Rear End Swing—Gantry Lowered	18'- 0 1/4" (5.49m)
A6.	Over Corners—42" (1.06m) Treads	16'- 1" (4.90m)

B1.	C to C Tread Rollers	17'- 0" (5.18m)
B2.	Overall Length of Axles	18'- 5 1/2" (5.62m)
B3.	Overall Width Crawlers with 42" (1.06m) Treads	20'- 6" (6.24m)
B4.	Overall Width Cab	11'- 2 1/2" (3.40m)
B5.	Overall Width, Rotating Unit and Counterweight	13'- 0" (3.96m)

VERTICAL

C1.	Ground Clearance	10'-15/16" (.27m)
C2.	Ground to Top Crawler (Maximum)	3'- 6-7/8" (1.08m)
C3.	Ground to Bottom of Counterweight	3'- 11" (1.19m)
C4.	Ground to C of Boom Foot Pin	6'-10-7/8" (2.10m)

C5.	Ground to Top of Cab	12'- 1-5/8" (3.69m)
C6.	Overall Height Backhitch Gantry	13'- 5-1/8" (4.09m)
C7.	Eye Level Standard Cab	10'-11-3/8" (3.33m)

POWER PLANT DATA

Make	Model	Fuel	Cyl.	Bore and Stroke	Gross Rated H.P.	Torque Conv. H.P. @ Governed R.P.M.
Cumm.w/T.C.	NT-855-P-335	Diesel	6	5 1/4" x 6" (140mm 152mm)	335 @ 2300	208 @ 600

Fuel Tank Capacity—256 Gallons (969 Liters)

WORKING WEIGHTS

(APPROXIMATE IN POUNDS)

Weight based upon a machine equipped with a Cummins power plant and torque converter, 25' (7.6m) truck with 42" (1.06m) treads, 100,000 lbs. (45360kg) of counterweight, and a 60' (18.3m) basic boom, and all other standard equipment.

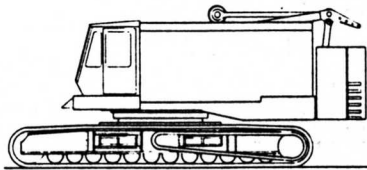
Crane	292,000 Lbs. (132451kg)
-------	-------------------------

PERFORMANCE DATA

Swing Speed	3.2 R.P.M.
Gradability	30%

Travel Speed:	
Standard Propel	1.1 M.P.H. (1.7KmPH)
Independent Propel	1.3 M.P.H. (2.0KmPH)

1500-SC MACHINE WEIGHTS

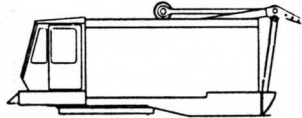


B-1 BASIC MACHINE

Equipment includes: Fabricated truck and rotating base; environmental cab; heater (hot water) and defroster fan; fire extinguisher; steps for access to cab roof; L.H. and R.H. running boards; air signal horn; standard crawlers [25'0" (7.62m) overall length]; 42" (1067cm) wide heat treated treads; anti-friction bearing swing circle and ring gear; engine (See Item No. 60-105-A); two drum chain driven planetary boom hoist; sprague clutch arrangement; spring set, air released positive swing lock; power controlled load lowering (R.H. drum); full air controls; basic gantry; hydraulic counterweight removal equipment; (no laggings or counterweight)

Weight: 168,200 lbs. (76295Kg)

ROTATOR (Incl. Gantry and Counterweight Removal Equipment)



69,900 lbs. (31,707Kg)

TRUCK:



With 42" Treads: 98,300 lbs. (44589Kg)

SIDE FRAME:



Less Treads: 15,350 lbs (6963Kg) Each

A-2 CRANE ATTACHMENT

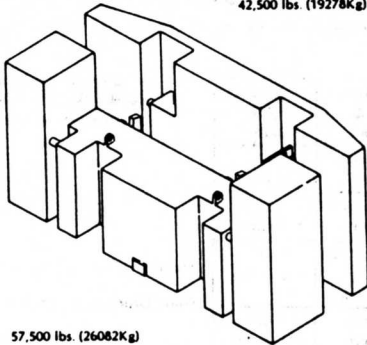
Equipment includes: 60' (18.3m) pin connected tubular boom (75" x 85") (1.90m x 2.16m) with hammerhead point with six (6) lower main sheaves with guards and two (2) top guide sheaves plus two (2) guide sheaves at base of point section; mast assembly with fourteen (14) part boom hoist reeving and pendants for basic boom; telescopic boomstops with air shutoff; boom angle indicator; 22" (55.9cm) L.H. and R.H. smooth laggings [1" (25.4mm)]; lagging rope guards; foot accelerator; swing snubber and swing brakes; ropes; 100,000# (45360Kg) two piece counterweight.

Weight: 123,820 lbs. (56164Kg)

COUNTERWEIGHT REMOVAL EQUIPMENT 660 lbs. (299Kg)

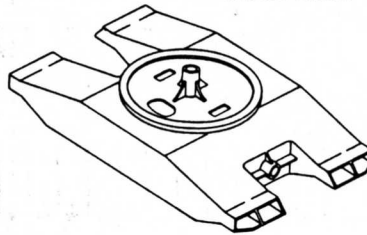
COUNTERWEIGHTS

42,500 lbs. (19278Kg)



57,500 lbs. (26082Kg)

TRUCK BASE:

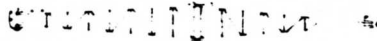


39,260 lbs. (17807Kg)

TREADS:

56-42" Treads
Weight Per Belt:
14,170 lbs. (6428Kg)

BOOM EQUIPMENT (Ref: A-2)



Boom Point (Incl. Sheaves)	5,840 lbs. (2649Kg)
Boom Base	4,980 lbs. (2259Kg)
Mast	4,610 lbs. (2091Kg)
Pendants For Basic Boom	430 lbs. (195Kg)
Boom Stops	1,380 lbs. (626Kg)
Wire Ropes	4,130 lbs. (1873Kg)
R.H. Hoist Drum	1,250 lbs. (567Kg)
L.H. Hoist Drum	1,200 lbs. (544Kg)

ADDITIONAL

Boom Extensions (Incl. Pendants)	
10' (3.05M)	1,460 lbs. (662Kg)
20' (6.10M)	2,320 lbs. (1050Kg)
40' (12.2M)	4,010 lbs. (1819Kg)

MIDPOINT SUSPENSION

200' (61.0M) thru 220' (67.1M) Booms ..	930 lbs. (422Kg)
230' (70.1M) thru 250' (76.2M) Booms ..	1,060 lbs. (481Kg)

OPTIONAL INDEPENDENT PROPEL (Ref. BO-125) 4,770 lbs. (2164Kg)

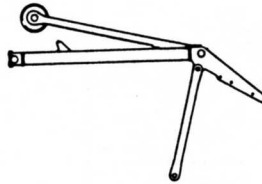
THIRD DRUM (Less Wire Rope)

3770 lbs. (1723Kg)
Ref: BO-175

WIRE ROPE (For Third Drum)

310 lbs. (140Kg)

GANTRY



4,240 lbs. (1923Kg)

OPTIONAL JIB EQUIPMENT (Ref: AO-125)



Jib Point (Incl. Sheave)	610 lbs. (277Kg)
Jib Base	400 lbs. (181Kg)
Strut	600 lbs. (272Kg)
Basic Pendants	370 lbs. (168Kg)
Jib Extension (Incl. Pendants)	
20' (6.10M)	785 lbs. (356Kg)

Boom, or Boom Plus Jib					Boom, or Boom Plus Jib					Boom, or Boom Plus Jib					Boom, or Boom Plus Jib									
L	R	A	H	Capacity Side/End	L	R	A	H	Capacity Side/End	L	R	A	H	Capacity Side/End	L	R	A	H	Capacity Side/End					
18.3M	5.2	79.7	20.0	*158,700	39.6M	8.1	80.9	41.1	73,100	54.9M	10.5	80.9	56.2	49,400	67.1M	12.4	81.0	68.2	31,300	70.1M	12.9	81.0	71.2	23,300
	6	77.1	19.8	121,300		10	78.2	40.8	53,500		12	79.4	55.9	40,900		14	79.6	68.0	31,300		14	80.0	71.1	23,300
	8	70.5	19.2	74,800		12	75.2	40.3	41,300		14	77.2	55.5	32,800		17	77.0	67.3	24,800		17	77.5	70.5	16,000
	10	63.7	18.3	53,700		14	72.2	39.7	33,300		17	74.0	54.7	24,900		20	74.3	66.5	19,100		20	75.0	69.7	13,300
	12	56.3	17.1	41,600		17	67.6	38.6	25,500		20	70.7	53.7	19,800		23	71.6	65.6	14,600		23	72.5	68.8	11,200
	14	48.3	15.5	33,700		20	62.8	37.2	20,300		23	67.3	52.6	16,100		26	68.9	64.5	11,200		26	69.9	67.8	8,200
	16	39.1	13.3	28,100		23	57.7	35.4	16,700		26	63.9	51.2	13,400		29	66.1	63.3	9,700		29	67.2	66.6	7,100
	18	27.3	10.2	24,100		26	52.4	33.3	14,100		29	60.3	49.6	11,300		32	63.3	61.8	8,300		32	64.5	65.2	6,100
	18.3	25.2	9.6	23,500		29	46.7	30.7	12,000		32	56.7	47.7	9,700		35	60.4	60.2	7,200		35	61.8	63.7	5,500
						32	40.3	27.5	10,300		35	52.8	45.6	8,300		38	57.4	58.4	7,200		38	58.9	62.0	5,500
21.3M	5.3	80.9	23.1	*155,900	42.7M	8.6	81.0	44.2	67,200	57.9M	11	81.0	59.2	46,400	70.1M	12.9	81.0	71.2	23,300	73.2M	13.8	81.0	77.3	14,600
	7	76.2	22.7	91,900		10	79.0	43.9	53,500		12	79.9	59.0	40,700		14	80.0	71.1	23,300		15	80.1	77.4	14,600
	9	70.6	22.1	62,600		12	76.3	43.4	41,200		14	77.9	58.6	32,700		17	77.5	70.5	16,000		17	77.8	76.5	12,100
	11	64.7	21.2	46,900		14	73.5	42.9	33,200		17	74.9	57.9	24,800		20	75.0	69.7	13,300		20	75.5	75.7	10,200
	13	58.6	20.1	37,200		17	69.2	41.9	25,400		20	71.8	57.0	19,600		23	72.5	68.8	11,200		23	73.0	73.9	8,600
	15	52.0	18.7	30,700		20	64.9	40.6	20,200		23	68.6	55.9	16,000		26	71.6	65.6	14,600		26	72.5	72.8	11,200
	18	40.6	15.7	24,000		23	60.3	39.0	16,600		26	65.4	54.6	13,300		29	69.9	64.5	11,200		29	70.7	73.9	8,600
	21	25.5	11.0	19,500		26	55.5	37.1	13,900		29	62.0	53.1	11,200		32	67.8	61.8	9,700		32	68.8	71.5	7,100
	21.3	23.2	10.2	19,100		29	50.5	34.8	11,800		32	58.6	51.4	9,600		35	66.6	60.2	8,300		35	68.8	70.1	6,100
						32	45.0	32.0	10,200		35	55.1	49.4	8,200		38	64.5	58.4	7,200		38	68.8	68.5	5,500
24.4M	5.7	81.0	26.1	132,500	45.7M	9.1	80.9	47.2	61,700	61.0M	11.5	81.0	62.2	43,400	73.2M	13.8	81.0	77.3	14,600	76.2M	14.6	81.0	83.4	8,600
	7	77.9	25.8	91,800		11	78.5	46.8	46,500		13	79.5	61.9	36,200		15	79.7	74.0	14,600		15	80.1	83.4	8,600
	9	73.1	25.3	62,600		13	75.9	46.3	36,700		15	77.6	61.5	29,500		17	77.3	73.3	12,100		17	77.8	80.1	7,100
	11	68.1	24.6	46,900		15	73.3	45.8	30,000		17	74.9	60.8	22,600		20	75.0	69.7	13,300		20	75.5	75.7	10,200
	13	62.9	23.6	37,200		18	69.4	44.7	23,300		20	71.8	57.0	19,600		23	72.5	68.8	11,200		23	73.0	73.9	8,600
	15	57.4	22.4	30,600		21	65.3	43.5	18,800		23	68.6	55.9	16,000		26	71.6	65.6	14,600		26	72.5	72.8	11,200
	18	48.5	20.1	23,900		24	61.0	41.9	15,500		26	65.4	54.6	13,300		29	69.9	64.5	11,200		29	70.7	73.9	8,600
	21	38.0	16.8	19,400		27	56.6	40.1	13,000		29	62.0	53.1	11,200		32	67.8	61.8	9,700		32	68.8	71.5	7,100
	24	24.1	11.7	16,200		30	52.0	37.9	11,100		32	58.6	51.4	9,600		35	66.6	60.2	8,300		35	68.8	70.1	6,100
	24.4	21.7	10.8	15,600		33	47.0	35.3	9,600		35	55.1	49.4	8,200		38	64.5	58.4	7,200		38	68.8	68.5	5,500
27.4M	6.2	81.0	29.1	114,100	48.8M	11	78.5	46.8	46,500	64.0M	13	81.0	65.2	40,600	76.2M	14.6	81.0	83.4	8,600	79.2M	15.5	81.0	89.6	6,100
	8	77.2	28.7	74,700		13	75.9	46.3	36,700		15	79.5	61.9	36,200		17	77.3	73.3	12,100		17	77.8	80.1	7,100
	10	72.8	28.2	53,600		15	73.3	45.8	30,000		17	74.9	60.8	22,600		20	75.0	69.7	13,300		20	75.5	75.7	10,200
	12	68.4	27.4	41,500		18	69.4	44.7	23,300		20	71.8	57.0	19,600		23	72.5	68.8	11,200		23	73.0	73.9	8,600
	14	63.8	26.5	33,600		21	65.3	43.5	18,800		23	68.6	55.9	16,000		26	71.6	65.6	14,600		26	72.5	72.8	11,200
	17	56.5	24.8	25,800		24	61.0	41.9	15,500		26	65.4	54.6	13,300		29	69.9	64.5	11,200		29	70.7	73.9	8,600
	20	48.5	22.4	20,700		27	56.6	40.1	13,000		29	62.0	53.1	11,200		32	67.8	61.8	9,700		32	68.8	71.5	7,100
	23	39.4	19.2	17,100		30	52.0	37.9	11,100		32	58.6	51.4	9,600		35	66.6	60.2	8,300		35	68.8	70.1	6,100
	26	27.9	14.6	14,500		33	47.0	35.3	9,600		35	55.1	49.4	8,200		38	64.5	58.4	7,200		38	68.8	68.5	5,500
	27.4	20.4	11.3	13,400		36	41.6	32.2	8,300		38	52.8	45.6	7,200		41	61.8	63.7	5,500		41	68.8	68.5	5,500
30.5M	6.7	80.9	32.1	100,200	51.8M	11	78.5	46.8	46,500	66.0M	13.9	81.0	65.2	40,600	79.2M	15.5	81.0	89.6	6,100	82.2M	16.4	81.0	95.8	4,600
	8	78.5	31.9	74,700		13	75.9	46.3	36,700		15	79.5	61.9	36,200		17	77.3	73.3	12,100		17	77.8	80.1	7,100
	10	74.6	31.4	53,600		15	73.3	45.8	30,000		17	74.9	60.8	22,600		20	75.0	69.7	13,300		20	75.5	75.7	10,200
	12	70.6	30.7	41,500		18	69.4	44.7	23,300		20	71.8	57.0	19,600		23	72.5	68.8	11,200		23	73.0	73.9	8,600
	14	66.6	29.9	33,500		21	65.3	43.5	18,800		23	68.6	55.9	16,000		26	71.6	65.6	14,600		26	72.5	72.8	11,200
	17	60.2	28.4	25,700		24	61.0	41.9	15,500		26	65.4	54.6	13,300		29	69.9	64.5	11,200		29	70.7	73.9	8,600
	20	53.5	26.4	20,600		27	56.6	40.1	13,000		29	62.0	53.1	11,200		32	67.8	61.8	9,700		32	68.8	71.5	7,100
	23	46.0	23.8	17,000		30	52.0	37.9	11,100		32	58.6	51.4	9,600		35	66.6	60.2	8,300		35	68.8	70.1	6,100
	26	37.4	20.3	14,300		33	47.0	35.3	9,600		35	55.1	49.4	8,200		38	64.5	58.4	7,200		38	68.8	68.5	5,500
	30.5	26.6	15.4	12,200		36	41.6	32.2	8,300		38	52.8	45.6	7,200		41	61.8	63.7	5,500		41	68.8	68.5	5,500
33.5M	7.2	81.0	35.1	89,700	54.8M	11	78.5	46.8	46,500	69.0M	14.1	81.0	65.2	40,600	82.2M	16.4	81.0	95.8	4,600	85.2M	17.3	81.0	102.0	3,100
	9	77.8	34.8	62,600		13	75.9	46.3	36,700		15	79.5	61.9	36,200		17	77.3	73.3	12,100		17	77.8	80.1	7,100
	11	74.2	34.2	46,800		15	73.3	45.8	30,000		17	74.9	60.8	22,600		20	75.0	69.7	13,300		20	75.5	75.7	10,200
	13	70.6	33.6	37,000		18	69.4	44.7	23,300		20	71.8	57.0	19,600		23	72.5	68.8	11,200		23	73.0	73.9	8,600
	15	67.0	32.8	30,400		21	65.3	43.5	18,800		23	68.6	55.9	16,000		26	71.6	65.6	14,600		26	72.5	72.8	11,200
	18	61.2	31.3	23,700		24	61.0	41.9	15,500		26	65.4	54.6	13,300		29	69.9	6						

BOOM PLUS JIB

Combined Length	Capacity Side/Rear			Combined Length	Capacity Side/Rear			Combined Length	Capacity Side/Rear		
	R	(A)			R	(A)			R	(A)	
79 2M (Boom + Jib) ▲	15	81.0	*22,500	82 3M (Boom + Jib) ▲	16.6	81.0	*22,500	85 3M (Boom + Jib) ▲	17.7	81.0	*15,500
	18	78.8	*21,900		18	80.0	*22,500		18	80.8	*15,500
	21	76.6	18,000		21	77.8	17,900		21	78.8	*14,500
	24	74.3	14,600		24	75.7	14,500		24	76.7	14,400
	27	72.1	12,000		27	73.7	13,900		27	74.6	13,800
	30	69.8	10,000		30	71.3	9,900		30	72.5	9,800
	33	67.4	8,400		33	69.1	8,300		33	70.3	8,200
	36	65.1	7,100		36	66.8	7,000		36	68.1	6,900
	39	62.6	6,000		39	64.5	5,900		39	65.9	5,800
	42	60.2	5,000		42	62.1	4,900		42	63.7	4,800
	45	57.6	4,200		45	59.7	4,100		45	61.4	4,000
	48	55.0	3,500		48	57.2	3,400		48	59.0	3,300
	51	52.3	2,900		51	54.6	2,800		51	56.6	2,700
	54	49.5	2,400		54	52.0	2,300		54	54.1	2,200
	57	46.5	1,900		57	49.2	1,800		57	51.5	1,700
	60	43.4	1,400		60	46.4	1,300		60	48.8	1,200
61	42.4	1,300	61	45.4	1,200	61	47.9	1,100			

JIB DATA				
Length	Offset			
	Position	Distance	Angle	Weight
6.1M	Minimum	0.99M	9.3°	930kg
	Intermediate	1.96M	18.8°	950kg
	Maximum	2.97M	29.2°	970kg
12.2M	Minimum	2.08M	9.8°	1,250kg
	Intermediate	4.04M	19.4°	1,260kg
	Maximum	6.05M	29.7°	1,280kg
18.3M	Minimum	2.77M	8.7°	1,560kg
	Intermediate	5.74M	18.3°	1,570kg
	Maximum	8.76M	28.6°	1,590kg

For desired jib offset, refer to operator's manual for proper rigging instructions

Read maximum jib rating chart for possible downrating below the values shown
▲ The midpoint sag of a boom plus jib combination is the same as the midpoint sag of the boom only

ROPE REEVING FOR HOOK BLOCKS	
Load In Kilograms	No. Part Line
To 11,340	1
Over 11,340	2
Over 22,680	3
Over 34,020	4
Over 45,360	5
Over 56,700	6
Over 68,040	7
Over 79,380	8
Over 90,720	9
Over 102,060	10
Over 113,400	11
Over 124,740	12

Requires 25 mm Dia. Wire Rope Having a Minimum Breaking Strength of 46,902 Kg

MAXIMUM JIB RATING CHART

[A]	6.1M Jib			12.2M Jib			18.3M Jib		
	Jib Offset			Jib Offset			Jib Offset		
	Minimum	Intermediate	Maximum	Minimum	Intermediate	Maximum	Minimum	Intermediate	Maximum
80	*22,600kg	*22,500kg	*22,400kg	*22,600kg	*17,400kg	*11,800kg	*15,500kg	*11,600kg	*7,400kg
75	*22,600kg	*21,900kg	*21,100kg	*21,900kg	*15,200kg	*10,900kg	*14,500kg	*10,100kg	*6,900kg
70	*22,600kg	*21,300kg	*20,000kg	*20,800kg	*13,700kg	*10,100kg	*12,900kg	*9,000kg	*6,500kg
65	*22,600kg	*20,600kg	*18,600kg	*19,700kg	*12,500kg	*9,400kg	*11,300kg	*8,200kg	*6,100kg
60	*22,600kg	*20,200kg	*17,800kg	*17,200kg	*11,700kg	*8,900kg	*11,700kg	*7,500kg	*5,700kg
55	*22,600kg	*19,900kg	*17,100kg	*15,500kg	*10,900kg	*8,600kg	*8,800kg	*6,900kg	*5,400kg
50	*22,000kg	*19,300kg	*16,600kg	*14,100kg	*10,200kg	*8,200kg	*8,100kg	*6,500kg	*5,100kg
45	*20,800kg	*18,500kg	*16,100kg	*13,200kg	*9,600kg	*7,900kg			
40	*19,600kg	*17,700kg	*15,900kg	*12,300kg	*9,100kg	*5,600kg			
35	*18,700kg	*16,700kg	*15,600kg						
30	*17,800kg	*16,300kg	*15,400kg						

MAIN BOOM CAPACITY REDUCTION DUE TO A JIB MOUNTED ON THE BOOM

Jib Length	Jib Offset		
	Minimum	Intermediate	Maximum
6.1M	1,300kg	1,300kg	1,400kg
12.2M	2,000kg	2,200kg	2,400kg
18.3M	3,100kg	3,500kg	4,400kg

When lifting a load on the boom point with a jib mounted on the boom, the boom lifting capacity shall be reduced by the amount shown in the above table

MAXIMUM BOOM OR BOOM PLUS JIB THAT CAN BE HANDLED HORIZONTALLY	
Over Side	Over End With Wedges
70 1M	76 2M
67 1M + 6 1M	73 2M + 6 1M
64 0M + 12 2M	70 1M + 12 2M
61 0M + 18 3M	67 1M + 18 3M

CAUTION READ ALL NOTES BEFORE OPERATING MACHINE.

SPECIAL NOTES TO OPERATOR:

- I Before operating this machine the operator shall make himself thoroughly familiar with the contents of the operator's manual furnished with this machine.
- II This machine is stable to the degree that structural failure may be possible if loads are taken to tipping. An accurate load measuring device should be used and/or known loads only should be handled at no greater radius than the chart indicates for the boom length being used.

- A When the machine is equipped with a boom plus jib combination, the maximum permissible load radius over the jib point is the length of the boom in this combination or 61.0M, whichever is less.
- B The lifting capacity of a boom plus jib combination 76.2M or less is the capacity of the boom equal to this combined length (length of boom plus length of jib), but shall not be greater than the appropriate capacity shown on the Maximum Jib Rating Chart.
- C The lifting capacity of a boom plus jib combination 79.2M or more is the capacity shown on the chart, but shall not be greater than the appropriate capacity shown on the Maximum Jib Rating Chart.
- D Capacities shown on the Maximum Jib Rating Chart are based upon the structural strength of the jib assembly and shall not be exceeded.

IMPORTANT—DO NOT USE BOOM ANGLE A, (A), or [A] TO ARRIVE AT RADIUS OF LOAD ON JIBS. MEASURE ACTUAL RADIUS ONLY.

JIB CAPACITY DETERMINATION

Example for 45 7M boom, 12 2M jib, intermediate (19.4°) offset, 21 9M jib loading radius

- a The boom length chart to use is 57 9M (45 7M plus 12 2M)
- b Using 57 9M chart for 21 9M radius use next larger radius or 23M which shows 16,000kg. Read value of A as 68.6. Consult jib rating chart for [A] equal to 68.6 or next smaller value. In this case use 65 and find for 12 2M jib at intermediate offset rating = 12,500kg
- c Jib rating is therefore to be 12,500kg @ 21 9M
- d For boom and jib combination over 76 2M use (A) in place of A

This Chart Is Based Upon:

- 1 Loads marked by * are the maximum allowable loads permitted by the structural strength of the parts and are not based upon the stability of the machine
- 2 All other loads are based upon stability and do not exceed 75% of tipping in the least stable direction
- 3 Load ratings shown on this chart make no allowance for such factors as the affect of side loads, wind, ground conditions, and operating speeds. The operator therefore shall reduce load ratings in order to take these conditions into account
- 4 All hook blocks, lifting tackle, and auxiliary load handling devices shall be considered a part of the load to be lifted
- 5 Exceeding the capacities shown on this chart or altering the counterweight nullifies all warranties
- 6 Capacities above dashed lines require a length of wire rope greater than furnished as standard with the machine
- 7 Booms 42 7M long and less may be handled horizontally, without live load, with the mast pinned to the boom base, to provide a low travel height. With longer booms, normal pendant suspension must be used
- 8 Gantry must always be in lowest position, with upper 76 2mm diameter gantry pins in place, when handling a boom or boom and load. Refer to operator's manual for counterweight handling attachment operating instructions
- 9 Over the side of the machine is the least stable direction
- 10 Load ratings are for the machine standing on a firm, solid, level supporting surface
- 11 If a load radius is between two charted radii, the capacity shown for the larger radius shall apply

Boom or Boom Plus Jib					Boom or Boom Plus Jib					Boom or Boom Plus Jib					Boom or Boom Plus Jib				
				Capacity					Capacity					Capacity					Capacity
L	R	A	H	Side/End	L	R	A	H	Side/End	L	R	A	H	Side/End	L	R	A	H	Side/End
60'	17'	79.7	65.8	*350,000	130'	26.7'	81.0	135.1'	161,300	180'	34.5'	81.0	184.5'	109,000	220'	40.7'	81.0	224.0'	84,900
	20'	76.8	65.1	259,900		30'	79.5	134.5'	134,900		35'	80.8	184.4'	106,900		45'	79.8	223.3'	73,500
	25'	71.8	63.6'	178,500		35'	77.3	133.5'	107,700		40'	79.2	183.5'	88,100		50'	78.5	222.3'	63,100
	30'	66.7	61.6'	135,100		40'	75.0	132.2'	89,100		45'	77.6	182.5'	74,600		60'	75.8	220.0'	48,500
	35'	61.3	59.1'	108,100		45'	72.7	130.7'	75,600		50'	76.0	181.3'	64,300		70'	73.1	217.1'	38,500
	40'	55.7	55.9'	89,800		50'	70.3	129.0'	65,400		60'	72.6	178.4'	49,700		80'	70.4	213.8'	31,400
	45'	49.6	51.9'	76,500		60'	65.6	124.8'	50,900		70'	69.3	174.9'	39,800		90'	67.6	209.9'	26,000
	50'	42.8	46.9'	66,300		70'	60.6	119.7'	41,100		80'	65.8	170.7'	32,700		100'	64.7	205.4'	21,800
	55'	35.3	41.6'	58,000		80'	55.4	113.3'	34,100		90'	62.3	165.7'	27,400		110'	61.8	200.4'	18,500
	60'	25.3	31.6'	52,000		90'	49.8	105.5'	28,800		100'	58.6	160.0'	23,200		120'	58.8	194.6'	15,700
70'	17.3'	81.0	75.9'	*343,700	140'	28.2'	81.0	145.0'	148,200	190'	36.0'	81.0	194.4'	102,300	230'	42.3'	81.0	233.9'	79,500
	20'	78.7	75.4'	259,000		30'	80.3	144.7'	134,900		40'	79.7	193.7'	87,900		45'	80.3	233.4'	72,800
	25'	74.5	74.1'	178,500		35'	78.2	143.7'	107,600		45'	78.2	192.7'	74,300		50'	79.0	232.5'	62,400
	30'	70.2	72.4'	135,100		40'	76.1	142.5'	88,900		50'	76.7	191.5'	64,000		60'	79.0	232.5'	62,400
	35'	65.7	70.3'	108,100		45'	74.0	141.2'	75,400		60'	73.5	188.8'	49,400		70'	73.9	227.6'	37,900
	40'	61.1	67.7'	89,800		50'	71.8	139.6'	65,200		70'	70.4	185.5'	39,500		80'	71.3	224.4'	30,700
	45'	56.3	64.6'	76,400		60'	67.4	135.8'	50,600		80'	67.1	181.6'	32,500		90'	68.6	220.7'	25,400
	50'	51.2	60.8'	66,300		70'	62.9	131.1'	40,900		90'	63.8	176.9'	27,100		100'	65.9	216.5'	21,200
	55'	45.9	56.6'	58,000		80'	58.2	125.3'	33,800		100'	60.4	171.6'	22,900		110'	63.1	211.6'	17,800
	60'	39.5	50.6'	51,900		90'	53.2	118.4'	28,500		110'	56.8	165.4'	19,600		120'	60.3	206.2'	15,100
80'	18.8'	81.0	85.8'	292,200	150'	29.8'	81.0	154.9'	136,100	200'	37.6'	81.0	204.3'	95,800	240'	43.9'	81.0	243.8'	75,700
	20'	80.2	85.6'	259,000		30'	80.9	154.9'	134,700		40'	80.3	203.8'	87,600		45'	80.7	243.6'	72,800
	25'	76.5	84.5'	178,400		35'	79.0	153.9'	107,400		45'	78.8	202.9'	73,900		50'	79.5	242.7'	62,400
	30'	72.8	83.0'	135,100		40'	77.0	152.8'	88,700		50'	77.3	201.8'	63,600		60'	77.0	242.5'	47,700
	35'	69.0	81.2'	108,100		45'	75.1	151.6'	75,200		60'	74.4	199.2'	48,900		70'	77.0	242.5'	47,700
	40'	65.1	79.0'	89,700		50'	73.1	150.1'	64,900		70'	71.4	196.1'	39,000		80'	74.6	238.0'	37,800
	45'	61.0	76.4'	76,300		60'	69.0	146.6'	50,400		80'	68.3	192.4'	31,900		90'	74.6	238.0'	37,800
	50'	56.8	73.3'	66,100		70'	64.8	142.2'	40,600		90'	65.2	188.0'	26,500		100'	72.1	234.9'	30,700
	55'	47.6	65.3'	51,700		80'	60.5	137.0'	33,500		100'	62.0	183.0'	22,300		110'	69.5	231.4'	25,300
	60'	36.8	54.0'	42,000		90'	56.2	130.7'	28,200		110'	58.7	177.3'	18,900		120'	67.0	227.4'	21,100
90'	20.4'	81.0	95.6'	251,700	160'	31.4'	81.0	164.8'	126,200	210'	45.7'	81.0	214.2'	89,600	250'	45.4'	81.0	253.7'	70,300
	25'	78.0	94.7'	178,400		35'	79.7	164.1'	107,200		50'	79.3	213.1'	73,500		50'	79.9	252.8'	62,200
	30'	74.7	93.5'	135,000		40'	77.8	163.1'	88,500		60'	77.9	212.1'	63,200		60'	77.6	250.8'	47,500
	35'	71.4	91.9'	108,100		45'	76.0	161.9'	74,900		70'	75.1	209.6'	48,500		70'	75.2	248.3'	37,500
	40'	68.0	90.0'	89,600		50'	74.2	160.5'	64,600		80'	72.3	206.6'	38,600		80'	72.8	245.4'	30,400
	45'	64.5	87.7'	76,200		60'	70.4	157.3'	50,100		90'	69.4	203.1'	31,500		90'	70.4	242.1'	25,000
	50'	60.9	85.0'	66,100		70'	66.5	153.2'	40,200		100'	66.5	199.0'	26,100		100'	67.9	238.2'	20,800
	55'	53.2	78.4'	51,700		80'	62.5	148.4'	33,200		110'	63.4	194.3'	21,900		110'	65.4	233.9'	17,400
	60'	44.7	69.5'	41,900		90'	58.4	142.7'	27,800		120'	60.3	188.9'	18,600		120'	62.9	229.0'	14,600
	65'	34.6	57.1'	34,900		100'	54.1	135.9'	23,700		130'	57.1	182.8'	15,800		130'	60.3	223.5'	12,300
100'	22.0'	81.0	105.5'	221,000	170'	32.9'	81.0	174.6'	117,100	220'	49.1'	81.0	224.2'	89,600	260'	45.4'	81.0	253.7'	70,300
	25'	79.2	105.0'	178,400		35'	80.3	174.3'	107,000		50'	80.7	214.0'	87,200		50'	79.9	252.8'	62,200
	30'	76.3	103.8'	135,000		40'	77.8	163.1'	88,500		60'	79.3	213.1'	73,500		60'	77.6	250.8'	47,500
	35'	73.3	102.4'	108,000		45'	76.0	161.9'	74,900		70'	77.9	212.1'	63,200		70'	75.2	248.3'	37,500
	40'	70.3	100.7'	89,500		50'	74.2	160.5'	64,600		80'	75.1	209.6'	48,500		80'	72.8	245.4'	30,400
	45'	67.2	98.7'	76,000		60'	70.4	157.3'	50,100		90'	72.3	206.6'	38,600		90'	70.4	242.1'	25,000
	50'	64.0	96.4'	65,800		70'	66.5	153.2'	40,200		100'	69.4	203.1'	31,500		100'	67.9	238.2'	20,800
	55'	57.4	90.6'	51,400		80'	62.5	148.4'	33,200		110'	66.5	199.0'	26,100		110'	65.4	233.9'	17,400
	60'	50.3	83.2'	41,600		90'	58.4	142.7'	27,800		120'	63.4	194.3'	21,900		120'	62.9	229.0'	14,600
	65'	42.3	73.4'	34,600		100'	54.1	135.9'	23,700		130'	60.3	188.9'	18,600		130'	60.3	223.5'	12,300
110'	23.5'	81.0	115.4'	197,800	180'	32.9'	81.0	174.6'	117,100	230'	49.1'	81.0	224.2'	89,600	270'	45.4'	81.0	253.7'	70,300
	25'	80.2	115.1'	178,300		35'	80.3	174.3'	107,000		50'	80.7	214.0'	87,200		50'	79.9	252.8'	62,200
	30'	77.6	114.1'	135,000		40'	77.8	163.1'	88,500		60'	79.3	213.1'	73,500		60'	77.6	250.8'	47,500
	35'	74.9	112.8'	107,900		45'	76.0	161.9'	74,900		70'	77.9	212.1'	63,200		70'	75.2	248.3'	37,500
	40'	72.2	111.3'	89,300		50'	74.2	160.5'	64,600		80'	75.1	209.6'	48,500		80'	72.8	245.4'	30,400
	45'	69.4	109.5'	75,900		60'	70.4	157.3'	50,100		90'	72.3	206.6'	38,600		90'	70.4	242.1'	25,000
	50'	66.6	107.4'	65,700		70'	66.5	153.2'	40,200		100'	69.4	203.1'	31,500		100'	67.9	238.2'	20,800
	55'	60.7	102.3'	51,200		80'	62.5	148.4'	33,200		110'	66.5	199.0'	26,100		110'	65.4	233.9'	17,400
	60'	54.5	95.9'	41,500		90'	58.4	142.7'	27,800		120'	63.4	194.3'	21,900		120'	62.9	229.0'	14,600
	65'	47.8	87.7'	34,400		100'	54.1	135.9'	23,700		130'	60.3	188.9'	18,600		130'	60.3	223.5'	12,300
120'	25.1'	81.0	125.3'	177,700	190'	32.9'	81.0	174.6'	117,100	240'	49.1'	81.0	224.2'	89,600	280'	45.4'	81.0	253.7'	70,300
	30'	78.6	124.3'	135,000		35'	80.3	174.3'	107,000		50'	80.7	214.0'	87,200		50'	79.9	252.8'	62,200
	35'	76.2	123.2'	107,700		40'	77.8	163.1'	88,500		60'	79.3	213.1'	73,500		60'	77.6	250.8'	47,500
	40'	73.7	121.8'	89,100		45'	76.0	161.9'	74,900		70'	77.9	212.1'	63,200		70'	75.2	248.3'	37,500
	45'	71.2	120.2'	75,600		50'	74.2	160.5'	64,600		80'	75.1	209.6'	48,500		80'	72.8	245.4'	30,400
	50'	68.6	118.3'	65,400		60'	70.4	157.3'	50,100		90'	72.3	206.6'	38,600		90'	70.4	242.1'	25,000
	55'	63.4	113.7'	50,900		70'	66.5	153.2'	40,200		100'	69.4							

BOOM PLUS JIB											
Combined Length	20' jib			40' jib			60' jib				
	R	(A)	Capacity Side/Rear	R	(A)	Capacity Side/Rear	R	(A)	Capacity Side/Rear		
260' (Boom + Jib) ▲	49' 3"	81.0	*49,700	54' 3"	81.0	*49,700	58' 1"	81.0	*34,200		
	50'	80.8	*49,700	60'	79.8	*48,300	60'	80.6	*34,200		
	60'	78.6	*48,300	70'	77.6	38,700	70'	78.5	*32,100		
	80'	74.1	31,400	80'	75.4	31,300	80'	76.4	31,200		
	90'	71.8	25,800	90'	73.2	25,700	90'	74.3	25,600		
	100'	69.4	21,500	100'	71.0	21,400	100'	72.1	21,300		
	110'	67.0	18,000	110'	68.7	17,900	110'	69.9	17,800		
	120'	64.6	15,100	120'	66.4	15,000	120'	67.7	14,900		
	130'	62.1	12,700	130'	64.0	12,600	130'	65.5	12,500		
	140'	59.6	10,700	140'	61.6	10,600	140'	63.2	10,600		
	150'	57.0	8,900	150'	59.1	8,800	150'	60.8	8,700		
	160'	54.3	7,400	160'	56.6	7,300	160'	58.4	7,200		
	170'	51.5	6,100	170'	53.9	6,000	170'	55.9	5,900		
	180'	48.6	4,900	180'	51.2	4,800	180'	53.3	4,700		
	190'	45.6	3,900	190'	48.4	3,800	190'	50.7	3,700		
	200'	42.4	2,900	200'	45.4	2,800	200'	47.9	2,700		

JIB DATA				
Offset				
Length	Position	Distance	Angle	Weight
20'-0"	Minimum	3'-3"	9.3°	2,060 Lbs
	Intermediate	6'-5"	18.8°	2,090 Lbs
	Maximum	9'-9"	29.2°	2,135 Lbs
40'-0"	Minimum	6'-10"	9.8°	2,745 Lbs
	Intermediate	13'-3"	19.4°	2,780 Lbs
	Maximum	19'-10"	29.7°	2,820 Lbs
60'-0"	Minimum	9'-1"	8.7°	3,430 Lbs
	Intermediate	18'-10"	18.3°	3,465 Lbs
	Maximum	28'-9"	28.6°	3,505 Lbs

For desired jib offset, refer to operator's manual for proper rigging instructions.

Read maximum jib rating chart for possible downrating below the values shown
 ▲ The midpoint sag of a boom plus jib combination is the same as the midpoint sag of the boom only

ROPE REEVING FOR HOOK BLOCKS	
Load in Pounds	No. Part Line
To 25,000	1
Over 25,000	2
Over 50,000	3
Over 75,000	4
Over 100,000	5
Over 125,000	6
Over 150,000	7
Over 175,000	8
Over 200,000	9
Over 225,000	10
Over 250,000	11
Over 275,000	12

Requires 1" Dia. Wire Rope Having a Minimum Breaking Strength of 103,400 lbs

MAXIMUM JIB RATING CHART									
[A]	20' jib			40' jib			60' jib		
	Jib Offset			Jib Offset			Jib Offset		
	Minimum	Intermediate	Maximum	Minimum	Intermediate	Maximum	Minimum	Intermediate	Maximum
80	*50,000	*49,700	*49,400	*50,000	*38,400	*26,200	*34,200	*25,600	*16,500
75	*50,000	*48,300	*46,700	*48,300	*33,700	*24,200	*32,100	*22,300	*15,300
70	*50,000	*47,100	*44,200	*46,000	*30,200	*22,400	*28,600	*20,000	*14,400
65	*50,000	*45,600	*41,200	*43,500	*27,700	*20,800	*25,000	*18,100	*13,500
60	*50,000	*44,600	*39,300	*38,100	*25,800	*19,700	*22,000	*16,600	*12,700
55	*50,000	*43,900	*37,800	*34,200	*24,200	*19,000	*19,500	*15,300	*12,000
50	*48,700	*42,600	*36,600	*31,300	*22,600	*18,200	*17,900	*14,400	*11,400
45	*46,000	*40,800	*35,700	*29,200	*21,300	*17,600			
40	*43,400	*39,200	*35,100	*27,300	*20,100	*12,500			
35	*41,300	*37,000	*34,500						
30	*39,300	*36,000	*34,000						

- A. When the machine is equipped with a boom plus jib combination, the maximum permissible load radius over the jib point is the length of the boom in this combination or 200', whichever is less.
 - B. The lifting capacity of a boom plus jib combination 250' or less is the capacity of the boom equal to this combined length (length of boom plus length of jib), but shall not be greater than the appropriate capacity shown on the Maximum Jib Rating Chart
 - C. The lifting capacity of a boom plus jib combination 260' or more is the capacity shown on the chart, but shall not be greater than the appropriate capacity shown on the Maximum Jib Rating Chart.
 - D. Capacities shown on the Maximum Jib Rating Chart are based upon the structural strength of the jib assembly and shall not be exceeded
- IMPORTANT—DO NOT USE BOOM ANGLE A, (A), or [A] TO ARRIVE AT RADIUS OF LOAD ON JIBS. MEASURE ACTUAL RADIUS ONLY.**

JIB CAPACITY DETERMINATION

Example for 150' boom, 40' jib, intermediate (19.4°) offset, 72' jib loading radius

- a. The boom length chart to use is 190' (150' plus 40')
- b. Using 190' chart for 72' radius use next larger radius or 80' which shows 32,500 lbs. Read value of A as 67.1. Consult jib rating chart for [A] equal to 67.1 or next smaller value. In this case use 65 and find for 40' jib at intermediate offset rating = 27,700 lbs
- c. Jib rating is therefore to be 27,700 lbs @ 72'
- d. For boom and jib combination over 250' use (A) in place of A

This Chart is Based Upon:

- Loads marked by * are the maximum allowable loads permitted by the structural strength of the parts and are not based upon the stability of the machine
- Other loads are based upon stability and do not exceed 75% of tipping in the least stable direction
- Load ratings shown on this chart make no allowance for such factors as the effect of side loads, wind, ground conditions, and operating speeds. The operator therefore shall reduce load ratings in order to take these conditions into account.
- All hook blocks, lifting tackle, and auxiliary load handling devices shall be considered a part of the load to be lifted
- Exceeding the capacities shown on this chart or altering the counterweight nullifies all warranties
- Capacities above dashed lines require a length of wire rope greater than furnished as standard with the machine
- Booms 140' long and less may be handled horizontally, without live load, with the mast pinned to the boom base, to provide a low travel height. With longer booms, normal pendant suspension must be used
- Gantry must always be in lowest position, with upper 3" diameter gantry pins in place, when handling a boom or boom and load. Refer to operator's manual for counterweight handling attachment operating instructions
- Over the side of the machine is the least stable direction
- Load ratings are for the machine standing on a firm, solid, level supporting surface
- If a load radius is between two charted radii, the capacity shown for the larger radius shall apply

MAIN BOOM CAPACITY REDUCTION DUE TO A JIB MOUNTED ON THE BOOM			
Jib Length	Jib Offset		
	Minimum	Intermediate	Maximum
20'-0"	2,800 Lbs.	2,900 Lbs.	3,100 Lbs.
40'-0"	4,400 Lbs.	4,800 Lbs.	5,200 Lbs.
60'-0"	6,700 Lbs.	7,700 Lbs.	9,600 Lbs.

When lifting a load on the boom point with a jib mounted on the boom, the boom lifting capacity shall be reduced by the amount shown in the above table.

MAXIMUM BOOM OR BOOM PLUS JIB THAT CAN BE HANDLED HORIZONTALLY	
Over Side	Over End With Wedges
230'	250'
220' + 20'	240' + 20'
210' + 40'	230' + 40'
200' + 60'	220' + 60'

CAUTION READ ALL NOTES BEFORE OPERATING MACHINE.

SPECIAL NOTES TO OPERATOR:

- Before operating this machine the operator shall make himself thoroughly familiar with the contents of the operator's manual furnished with this machine
- This machine is stable to the degree that structural failure may be possible if loads are taken to tipping. An accurate load measuring device should be used and/or known loads only should be handled at no greater radius than the chart indicates for the boom length being used