

780 BTC  
8105J286



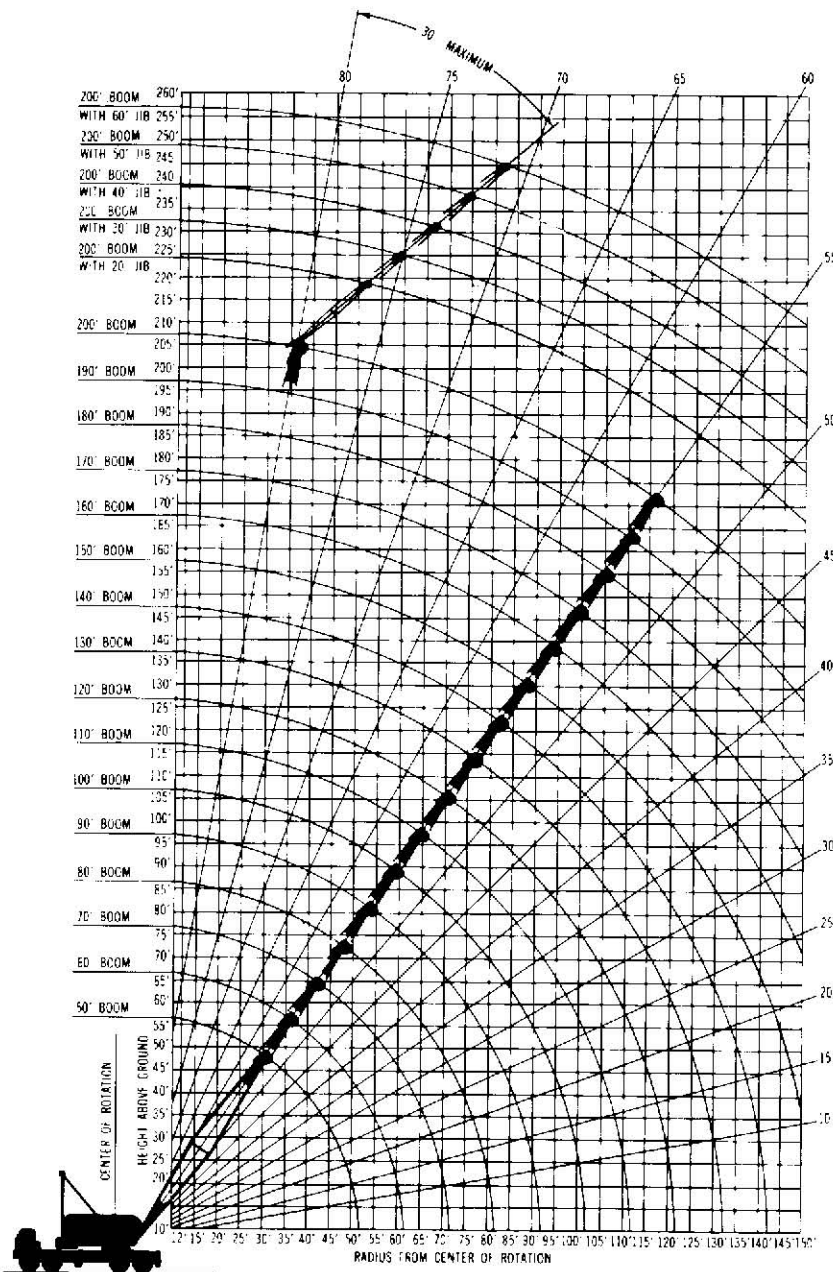
**NOTE:** All designs, specifications and components of the equipment described above are subject to change at the manufacturer's sole discretion at any time without advance notice. Data published herein is informational in nature and shall not be construed to warrant suitability of the machine for any particular purpose as performance may vary with the conditions encountered. The only warranty applicable is our standard written warranty for this machine. Manufactured and sold in conformance with U. S. Department of Commerce Commercial Standard CS-90-58.



Address inquiries to

# P&H<sup>®</sup> 790-TC

## 90-ton Truck Crane 200' Boom 180' Boom 60' Jib



Heavy Duty  
Standard Boom  
62" wide x 62" deep

This Brochure  
contains charts for:

Standard Ratings

- On Outriggers
- On Rubber

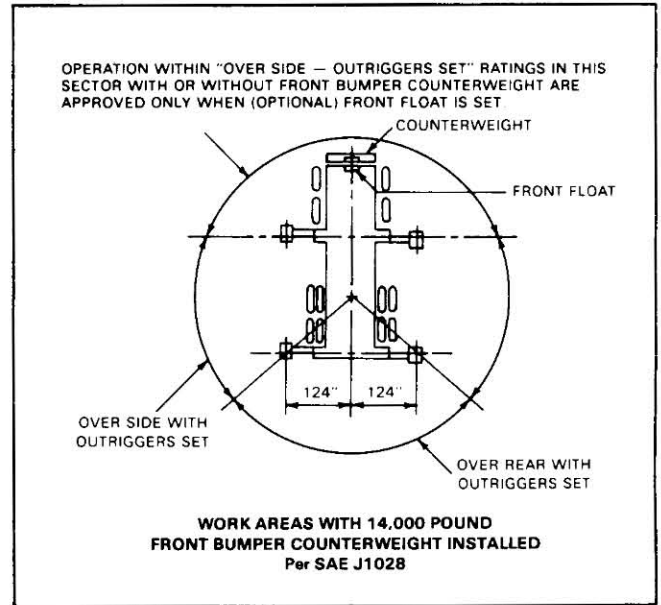
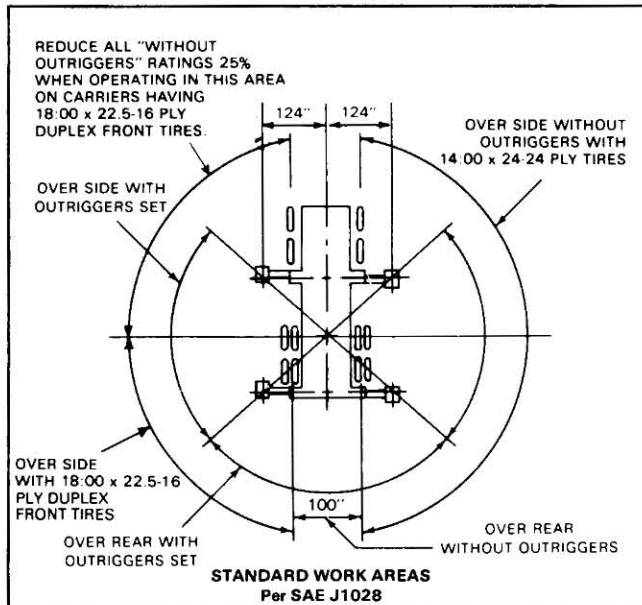
Over the Rear Ratings

- On Outriggers for Heavy Rigging
- On Rubber "Walking" Ratings for Tilt-work

**crane** lifting capacities  
working ranges

# P&H 790-TC

**THIS P&H MODEL  
790-TC MEETS  
THE REQUIREMENTS OF  
ANSI B30.5-1968.  
BOOM STRUCTURE  
HAS BEEN TESTED PER  
SAE J987.  
MACHINE STABILITY  
HAS BEEN TESTED  
PER SAE J765.**



**NOTE:** All designs, specifications and components of the equipment described above are subject to change at the manufacturer's sole discretion at any time without advance notice. Data published herein is informational in nature and shall not be construed to warrant suitability of the machine for any particular purpose as performance may vary with the conditions encountered. The only warranty applicable is our standard written warranty for this machine. Manufactured and sold in conformance with U. S. Department of Commerce Commercial Standard CS-90-58.

**Harnischfeger**  
**P&H**  
MILWAUKEE, WISCONSIN 53201

Address inquiries to:



