

TMS2500

Carrier-Mounted Hydraulic Crane Specifications



Superstructure specifications

Boom	32 ft. to 80 ft. (9.8m-24.4m) three section Trapezoidal full power boom. Telescoping is mechanically synchronized with single lever control. Telescopic sections slide on adjustable and replaceable Nylatron wear pads. Maximum Tip Height: 85 ft. (25.9m).
Swingaway Extension	30 ft. (9.3m) lattice swingaway boom extension stows alongside base boom section when not in use, offsettable at 0°, 15° or 30°. Maximum Tip Height: 114 ft. (34.7m).
*Optional Telescopic Swingaway	30 ft. to 54 ft. (9.1m-16.5m) telescopic lattice swingaway extension with offset links, offsettable at 0°, 15° or 30°. Stows alongside base boom when not in use. Maximum Tip Height: 137 ft. (41.8m).
Boom Nose	Five steel sheaves mounted on heavy duty tapered roller bearings with removable pin-type rope guards. *Optional removable auxiliary boom nose with removable pin type rope guard.
Boom Elevation	One double acting hydraulic cylinder with integral holding valve provides elevation from -4° to 75°.
Load Moment & Anti-Two Block System	Standard load moment and anti-two block system with audio-visual warning and control lever lockout. These systems provide electronic display of boom angle, length, radius, tip height, relative load moment, maximum permissible load, load indication and warning of impending two-block condition.
Cab	Full vision, all steel fabricated with acoustical lining and tinted safety glass throughout. Dash panel incorporates gauges for all engine functions. Other standard features include: hinged skylight, sliding left side door and sliding right side window, electric windshield wash/wipe, circulating air fan, heater, swing horn, fire extinguisher, seat belt. *Optional items: electric skylight wiper and air conditioning.
Swing	Roller bearing swing circle with 360° continuous rotation. Grove planetary "glide-swing" with foot actuated disc brake, spring applied hydraulically released park brake and 360° position positive turntable lock. Combination controls provided for hand or foot operation. Swing speed 3.6 RPM.
Counterweight	Fixed position pinned to turntable. (Weight varies depending on hoist configuration).

HYDRAULIC SYSTEM

Pumps	One, 3-section gear pump driven off transmission PTO with manual pump disconnect. Combined capacity 112.5 GPM (426 LPM).
Valves	Precision four way double acting control valves, 3 individual valve banks permit simultaneous control of multiple crane functions.
Filter	Suction line type, full flow with by-pass protection and filter by-pass indicator, replaceable cartridge, 7/17/22 micron filtration rating.
Reservoir	86 gallons (326 L) with spin-on breather filter, external sight gauge, clean out access, strap mounted to frame.
Oil Cooler	Full flow, fin and tube, oil to air.

HOIST SPECIFICATIONS

Power up and down, equal speed, planetary reduction with integral automatic brake and electronic hoist drum rotation indicator.

		Grove Main Hoist HO15B-20 and *Aux. Hoist HO15B-20	
Make/Model		Main	Auxiliary
Maximum single line speed	Bottom layer	298 FPM (91m/min)	161 FPM (49m/min)
	Intermediate layer	352 FPM (107m/min)	190 FPM (58m/min)
	Top layer	379 FPM (116m/min)	205 FPM (62m/min)
Maximum single line pull	Bottom layer	8,496 lbs. (3854 kg)	8,496 lbs. (3854 kg)
	Intermediate layer	7,194 lbs. (3263 kg)	7,194 lbs. (3263 kg)
	Top layer	6,681 lbs. (3031 kg)	6,681 lbs. (3031 kg)
Maximum permissible line pull		8,496 lbs. (3854 kg)	8,496 lbs. (3854 kg)
w/5:1 strength factor		5/8 in. (16mm) 18x19 class wire rope	
Maximum rope stowage		450 ft. of 5/8" dia. rope (137m of 16mm)	
		Note: 450 ft. (137m) length of wire rope supplied with basic unit.	

*Denotes optional equipment

Carrier specifications

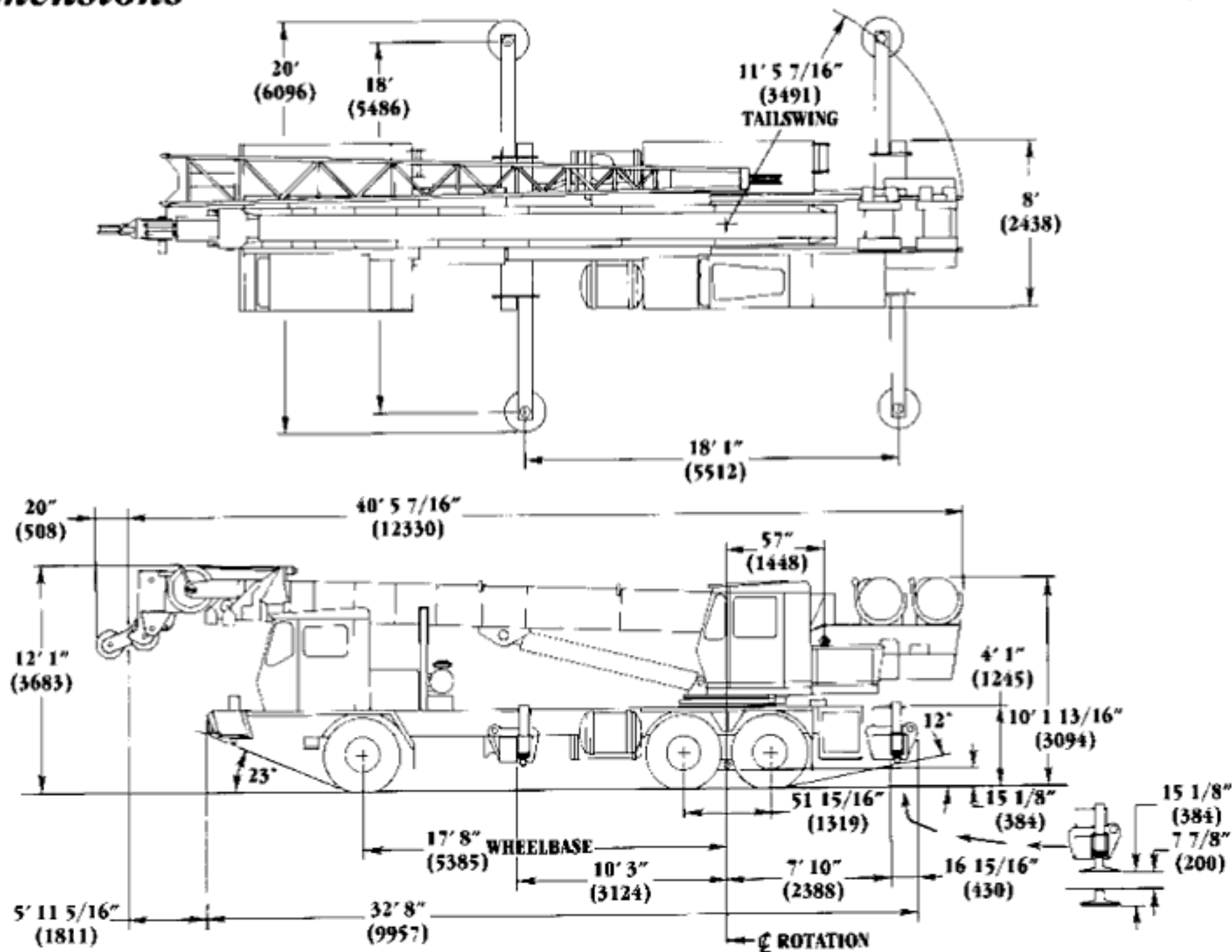
Frame	High strength alloy steel all welded box-type construction with integral outrigger housings and front/rear lifting, towing and tie down lugs.
Outrigger System	Hydraulic single stage double box telescopic beam and jack outriggers with integral holding valves. All steel fabricated quick release type outrigger floats 24 in. (610mm) diameter. Maximum outrigger pad load 55,213 lbs. (25,044 kg). Standard fifth front stabilizer for 360° duties.
Outrigger Controls	Located in the superstructure cab. Push button controls requiring two-handed operation. Crane level indicator (sight bubble) adjacent to controls.
Engine	6CTA8.3 Cummins six cylinder turbocharged water cooled diesel. 210 hp (157 kw) (Gross) @ 2400 RPM. Maximum net torque 605 ft. lbs. (84 kg/m) @ 1300 RPM.
Fuel Tank Capacity	(1) 60 gallons (227 L)
Electrical System	Four 12-volt - maintenance free batteries, 24 volt starting.
Drive	6 x 4
Steering	Front axle steering, rack and pinion design with hydraulic assist.
Transmission	Manual with 13 speeds forward, 3 reverse.
Axles	Front: 1 steer, beam type Rear: 2 & 3 drive axles with inter-axle differential locks.
Suspension	Front axle (1) spring mounted. Rear axles (2) solid mount tandem with equalizing beam and solid steel saddles.
Tires	Front: 425/65R22.5 Rear: 9:00x20-12PR Optional Rear: 10.00x20-12PR
Brakes	Full air on all wheels. Air dryer provided to preclude moisture accumulation. Spring set emergency brake on both rear axles with emergency release.
Lights	Full lighting including head, tail, braking, reversing, fog, directional and hazard warning lights.

Cab	One man design, all steel fabricated with acoustical lining and tinted safety glass throughout. Deluxe fabric covered fully adjustable seat. Complete driving controls and engine instrumentation including tachometer, speedometer, voltmeter, water temp., oil pressure, fuel level, air pressure gauge with A/V warning. Other standard items include hot water heater/defroster, electric windshield wash/wipe, fire extinguisher, seat belt and door and window locks.
Maximum Speed	52 MPH (83.7 kph)
	BASIC STANDARD MACHINE
Gross Vehicle Weight & Axle Loads	Front: 16,762 lbs. (7,603 kg) Rear Tandem: 33,982 lbs. (15,414 kg) G.V.W.: 50,744 lbs. (23,017 kg)
Miscellaneous Standard Equipment	Dual rear view mirrors, hookblock tiedown sling, electronic back-up alarm, air cleaner service indicator, fuel/water separator and ether cold start aid. Sling box.
Optional Equipment	Immersion engine block heater, engine low oil pressure/high water temperature audio visual warning and tire inflation kit.

*Denotes optional equipment.

Dimensions

TMS250C



Constant improvement and equipment progress make it necessary to reserve the right to make specifications, equipment and prices change without notice. Illustrations do not include optional equipment and accessories and may not include all standard equipment.

Distributed By:

Grove Worldwide - World Headquarters
 1565 Buchanan Trail East
 Shady Grove, Pennsylvania 17256
 Phone: (717) 597-8121 Telex: 1812308 Fax: (717) 597-1062

Grove North America
 P.O. Box 21, Shady Grove, Pennsylvania 17256
 Western Hemisphere, Asia/Pacific
 Phone: (717) 597-8121 Telex: 1812308 Fax: (717) 597-1062

Grove Europe
 Sunderland, England SR1 6TT
 Europe, Africa, Middle East, Near East
 Phone: (091) 565-6281 Telex: 55484 CRANES G Fax: (091) 561-0112

Grove Europe Limited, Registered in England, Number 1815128, Registered office,
 Crown Works, Pallion, Sunderland, Tyne & Wear, England SR1 6TT.