

HYVA[®] CRANE HA 22

MODELS	LIFTING MOMENT	MAX VERTICAL REACH	SLEWING ANGLE	SLEWING TIME	MAX WORKING HEEL	WORKING PRESSURE	CRANE WEIGHT WITHOUT STABILIZERS	OIL TANK CAPACITY	OIL FLOW	DIMENSIONS
	T.m	m	°	s/180°	°	bar	kg	l.	l/min	mm. B x h x S
HA 22 E1	2	3,58	335	15	3	160	216	17,5	8	715x1485x430
HA 22 E2	-	4,51	335	15	3	160	243	17,5	8	715x1485x430
HA 22 E3	-	5,45	335	15	3	160	265	17,5	8	868x1525x430

ACCESSORIES

Supplementary element activation
Manual extensions
Turning stabilizers
Manually opening stabilizers
Oil tank
Electro-hydraulic powerpack

ACCESSOIRES

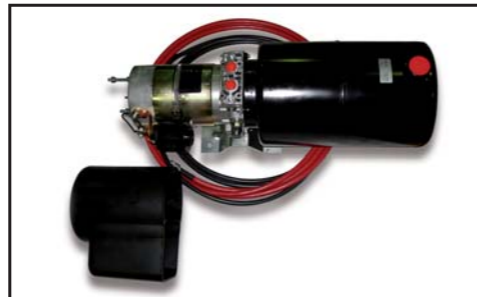
Activation éléments supplémentaires
Rallonges mécaniques
Stabilisateurs pivotants
Stabilisateurs élargissables manuels
Réservoir pour huile
Electro-hydraulique

ZUBEHOERE

Zusatzfunktionen
Mechanische Verlängerungen
Drehbare Abstützbeine
Manuell ausfahrbare Abstützungen
Ölbehälter
Elektro-hydraulisches Schaltgerät

ACCESORIOS

Ativação de elementos suplementares
Prolongações mecânicas
Estabilizadores giratórios
Estabilizador alongado manual
Tanque de óleo
Central electro-hidraulica



Electro-hydraulic powerpack, Pompe électro-hydraulique
Elektro-hydraulisch Schaltgerät, Central electro-hidraulica

DEALER

Data, descriptions and illustrations are merely indicative and not binding. Cranes manufactured and/or marketed by HYVA - Les données, descriptions et illustrations sont uniquement indicatives et n'engagent pas HYVA. Grues produites et/ou vendues par HYVA - Angaben, Beschreibungen und Abbildungen sind weisend und verpflichten nicht HYVA. Die Kräne werden von HYVA hergestellt und/oder vermarktet - Os dados as descrições e ilustrações são indicativos e não comprometem HYVA. Guindaste produzidos e/ou comercializados pela HYVA.



HYVA[®] CRANE

HYVA International B.V.
Ondernemingsweg 1
2404 HM Alphen aan den Rijn
The Netherlands
Telephone: (31)172 - 42 35 55
Telefax: (31)172 - 43 31 96
info@hyva.com
www.hyva.com

**HYVA an ISO 9001
certified company
since 1991**

HA 22
HA
HA 22X

HYVA[®] CRANE



HA 22

HYVA MOVES YOUR WORLD

HYVA[®] CRANE HA 22



- Load limiting device (CE)
- Control panel with customised position
- Controls guard panel by ABS
- Worm screw slewing
- Independent telescopic cylinders
- Hexagonal section extensions
- Fittings SAE-JIC
- Design in accordance with:
DIN15018 - EN12999
- Fatigue test classification: B3



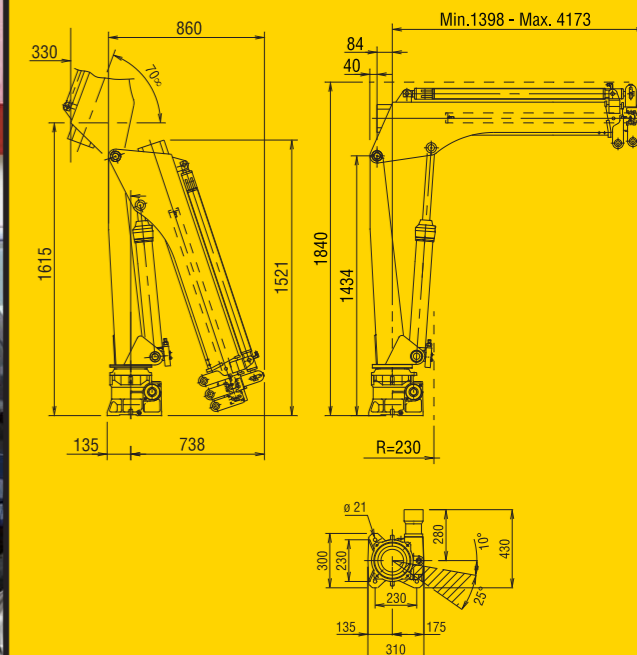
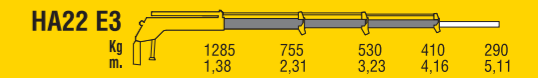
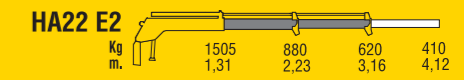
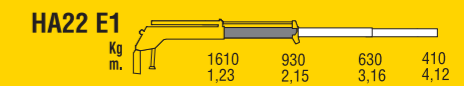
- Limiteur de moment (CE)
- Panneau de commandes à positionner selon la demande
- Enveloppe de protection commande en ABS
- Rotation par vis sans fin
- Extension à section hexagonale
- Vérins hydrauliques indépendants
- Tujauterie SAE-JIC
- Normes de calcul: DIN15018 - EN12999
- Essai de fatigue avec classification: B3



- Momentbegrenzer (CE)
- Bedienungslage nach Wunsch
- Bedienungsschutz durch ABS
- Drehung durch Schnecke
- Unabhängige hydraulische Heber
- Sechskantige Ausschübe
- Anschlüsse SAE-JIC
- Berechnungsnorm nach:
DIN15018 - EN12999
- Ermüdungstest in Klasse: B3



- Limitador de momento (CE)
- Painel de comandos a posicionar a pedido
- Caixa de protecção dos comandos em ABS
- Rotação em contínuo
- Cilindros telescópicos independentes
- Extensões sextavadas
- Conexões SAE-JIC
- Norma de projeto:
DIN15018 - EN12999
- Typo de Ensayo a la fatiga: B3



HA22 X



■ Compact dimensions and reduced weight

■ Proportional speed control of any single movement

■ Stabilizer control by radio

- Thanks to their extremely compact dimensions all cranes in the HA series are projected to be mounted on small equipment such as: car trailer, tracked vehicle, pickup, small trucks and stationary mounting;
- Control panel with customised position in order to always have the more ergonomic position;
- Hexagonal extensions with sliding pads allow to always have rigid and aligned boom.