

# C-64 Crawler 25 Ton

ON & OFF THE ROAD OR RAIL –  
**REACHING NEW HEIGHTS**  
AND WORKING HARDER THAN EVER.



**LITTLE** *Giant*

For more than a half-century,  
the Little Giant Corporation  
has been a name synonymous

with the railroad industry in producing hydraulic track cranes, rail  
dedicated cranes, truck mounted cranes and rough terrain material handlers.  
Little Giant cranes are working every day in every corner of the world and are  
known for their ease of maintenance and cost-effective design.



217 Patneau Drive  
Winona, Minnesota 55987  
Phone: (507) 454-1563  
Fax: (507) 453-6441  
[www.littlegiantcorp.com](http://www.littlegiantcorp.com)

# C-64 Crawler 25 Ton

# LOAD CHARTS

## C-64 CRAWLER LOAD CHART

LENGTH FT.	RADIUS FT.	ANGLE °	Boom Point Height FT.	25 TON CRAWLER CLASS 12-62	
				Over End LBS.	Over Side LBS.
30'	10	75	34.1	50,000	50,000
	12	71	33.5	50,000	37,200
	15	65	32.3	38,000	26,100
	20	54	29.3	24,100	17,200
	25	41	25.7	17,300	12,700
	30	23	16.6	13,400	10,000
35'	12	74	38.8	50,000	37,100
	15	69	37.7	38,500	26,000
	20	60	35.3	24,000	17,100
	25	50	31.8	17,100	12,500
	30	38	26.5	13,200	9,700
	35	21	17.6	10,200	7,900
40'	12	76	43.9	50,000	37,100
	15	71	43.1	38,500	25,900
	20	64	41.0	23,900	17,000
	25	55	38.1	17,000	12,400
	30	46	34.0	13,100	9,600
	35	35	28.2	10,500	7,800
	40	19	18.5	8,700	6,400
45'	15	74	48.3	38,400	25,700
	20	67	46.5	23,800	16,900
	25	60	44.0	16,900	12,300
	30	52	40.6	13,000	9,500
	35	43	36.0	10,400	7,600
	40	33	29.7	8,600	6,300
	45	18	19.3	7,100	5,100
50'	15	75	53.5	38,400	25,700
	20	69	51.9	23,700	16,800
	25	63	49.7	16,900	12,200
	30	56	46.7	12,900	9,400
	35	49	42.9	10,300	7,500
	40	41	38.0	8,500	6,200
	45	31	31.1	7,100	5,200
	50	17	20.1	6,100	4,400
55'	15	77	58.6	38,300	25,600
	20	71	57.2	23,500	16,600
	25	66	55.2	16,700	12,000
	30	60	52.6	12,800	9,200
	35	54	49.3	10,100	7,300
	40	47	45.2	8,300	6,000
	45	39	39.8	6,900	5,000
	50	30	32.5	5,900	4,200
60'	15	78	63.8	38,300	25,600
	20	73	62.5	23,500	16,500
	25	68	60.7	16,600	11,900
	30	62	58.3	12,700	9,100
	35	57	55.4	10,000	7,200
	40	51	51.8	8,200	5,900
	45	45	47.3	6,900	4,900
65'	20	74	67.7	23,400	16,400
	25	70	66.0	16,500	11,800
	30	65	63.9	12,600	8,900
	35	60	61.3	9,900	7,100
	40	55	58.1	8,100	5,700
	45	49	54.1	6,700	4,800
	50	43	49.3	5,700	3,900
	55	36	43.2	5,000	3,200
70'	20	75	72.8	23,400	16,400
	25	71	71.3	16,500	11,700
	30	67	69.4	12,500	8,900
	35	62	67.0	9,800	7,000
	40	57	64.1	8,000	5,700
	45	52	60.6	6,600	4,700
	50	47	56.3	5,600	3,900
60	34	44.7	4,100	2,700	
70	15	22.9	3,000	1,900	

1. All operators and support personnel shall read and fully understand manufacturer furnished operator's manual, latest applicable American National Standards Institute (ANSI) Safety Standards for Cranes, and any applicable federal, state, or local safety regulations before operating machine. Crane and load ratings comply with ANSI and Power Crane & Shovel Association (PCSA) Standards.

2. High gantry must be fully raised and pinned in position when lifting. Pin gantry in lowered position for travel only!

3. All ratings where shaded text appears are based on structural strength of machine. All other ratings do not exceed 75% of tipping load with machine stable on firm ground.

4. **DO NOT EXCEED** crane load ratings. When load radius or boom angle are between listed values, use the smaller load rating. **DO NOT ATTEMPT TO TIP MACHINE TO DETERMINE ALLOWABLE LOADS.**

5. Weights of hook blocks, bucket, slings, and all other load handling devices are not accounted for in the load chart. The load handling devices must be considered as part of the load.

6. Reduce ratings appropriately for wind conditions, speed of operation, soft or uneven supporting surfaces, etc.

**CAUTION**

**IN WIND OVER 30 MPH CEASE OPERATION, POSITION BOOM AWAY FROM THE WIND AND LOWER BOOM BELOW 65°. IN WIND OVER 50 MPH, LOWER BOOM TO GROUND, OR, SECURE IN POSITION.**

7. Load ratings apply to this machine only as originally manufactured and equipped. Unauthorized modification or optional equipment may reduce load capacity. Please consult Little Giant **BEFORE** modification or use of optional equipment not covered in this chart.

8. Lifting over drive sprocket end of undercarriage may damage machine and is not recommended.

9. These load ratings are for lift service only. Consult and adhere to appropriate load ratings chart for other applications (clamshell, dragline, magnet, etc.)

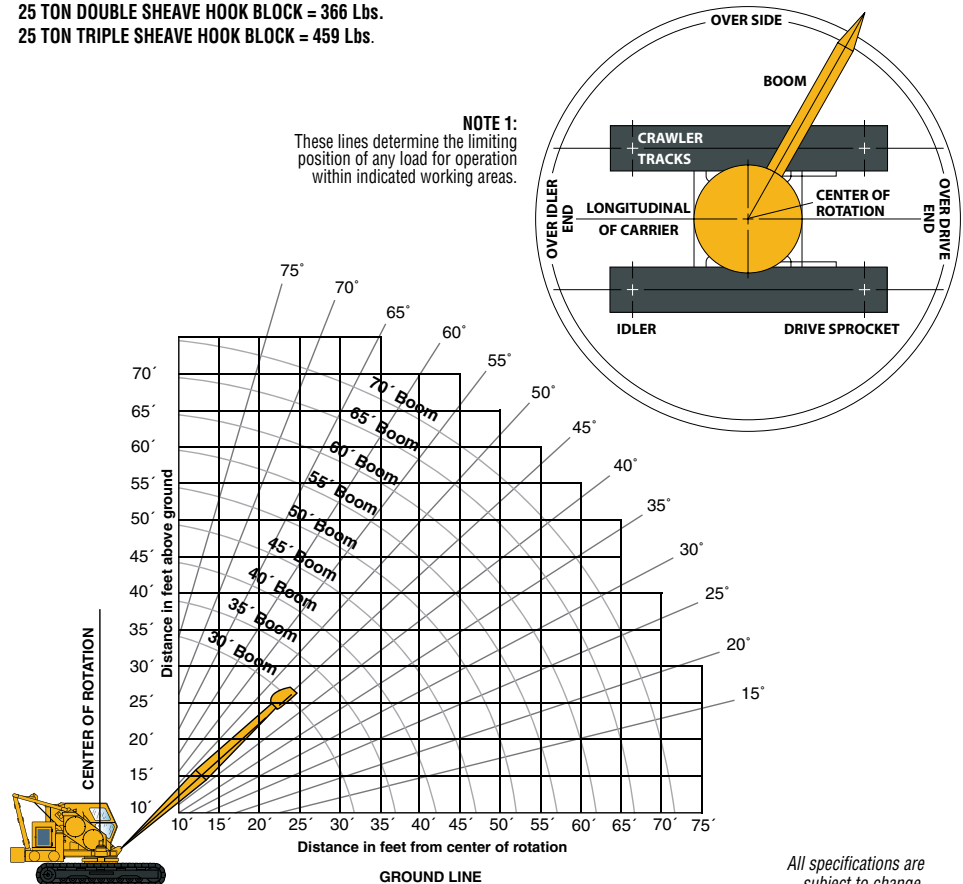
### RECOMMENDATIONS:

5/8" - 6 x 19 Class - 6 x 25 FW, PRF, RRL, XIP, IWRC Wire Rope

PARTS OF LINE	1	2	3	4	5	6
MAX. HOOK LOAD	10,000	20,000	30,000	40,000	50,000	50,000

All specifications are subject to change.

25 TON DOUBLE SHEAVE HOOK BLOCK = 366 Lbs.  
25 TON TRIPLE SHEAVE HOOK BLOCK = 459 Lbs.



All specifications are subject to change.

# C-64 Crawler 25 Ton

## LOAD RATINGS

### C-64 DRAGLINE & CLAMSHELL LOAD RATINGS – 1 Cubic Yard Bucket Capacity

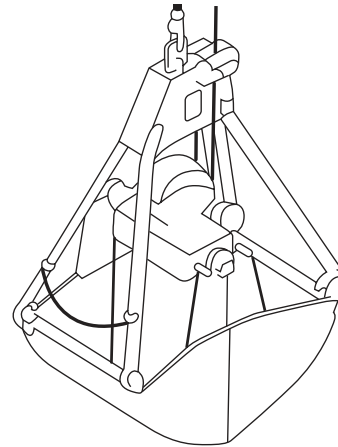
BOOM			DRAGLINE CAPACITY (LBS.)				CLAMSHELL CAPACITY (LBS.)			
LENGTH FT.	RADIUS FT.	ANGLE °	Over End LBS.	Over Side LBS.	DIG DEPTH FT.	DUMP HEIGHT FT.	Over End LBS.	Over Side LBS.	DUMP HEIGHT FT.	
										30'
	15	65	9,100	9,100	15	18	9,100	9,100	21	
	20	54	9,100	9,100	15	15	9,100	9,100	18	
	25	41	9,100	9,100	15	11	9,100	9,100	14	
	30	23	9,100	9,100	15	3	9,100	9,100	6	
40'	15	71	9,100	9,100	20	29	9,100	9,100	32	
	20	64	9,100	9,100	20	27	9,100	9,100	30	
	25	55	9,100	9,100	20	24	9,100	9,100	27	
	30	46	9,100	9,100	20	20	9,100	8,600	23	
	35	35	9,100	7,800	20	14	9,100	7,000	17	
	40	19	8,700	6,400	20	4	7,800	5,800	7	
50'	15	75	9,100	9,100	25	39	9,100	9,100	42	
	20	69	9,100	9,100	25	38	9,100	9,100	41	
	25	63	9,100	9,100	25	36	9,100	9,100	39	
	30	56	9,100	9,100	25	33	9,100	8,500	36	
	35	49	9,100	7,500	25	29	9,100	6,800	32	
	40	41	8,500	6,200	25	24	7,700	5,600	27	
	45	31	7,100	5,200	25	17	6,400	4,700	20	
	50	17	6,100	4,400	25	6	5,500	4,000	9	
60'	15	78	9,100	9,100	30	50	9,100	9,100	56	
	20	73	9,100	9,100	30	48	9,100	9,100	51	
	25	68	9,100	9,100	30	47	9,100	9,100	50	
	30	63	9,100	9,100	30	44	9,100	8,200	47	
	35	57	9,100	7,200	30	41	9,100	6,500	44	
	40	51	8,200	5,900	30	38	7,400	5,300	41	
	45	45	6,900	4,900	30	33	6,200	4,400	36	
	50	37	5,800	4,100	30	27	5,200	3,700	30	
	60	16	4,300	3,000	30	8	3,900	2,700	11	

Dump height is an approximate height based on boom point height (from main rating chart) minus the bucket lifted length. This information varies with bucket used. Dump height in this chart is based on:

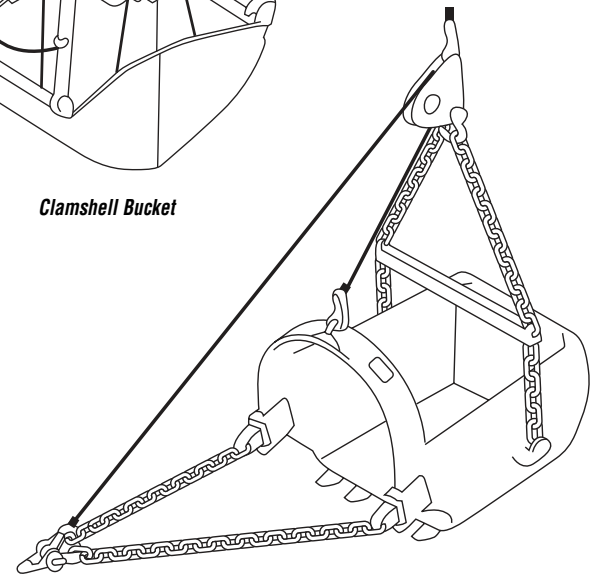
Dragline Bucket lifted length of 14'

Clamshell Bucket lifted length of 11'

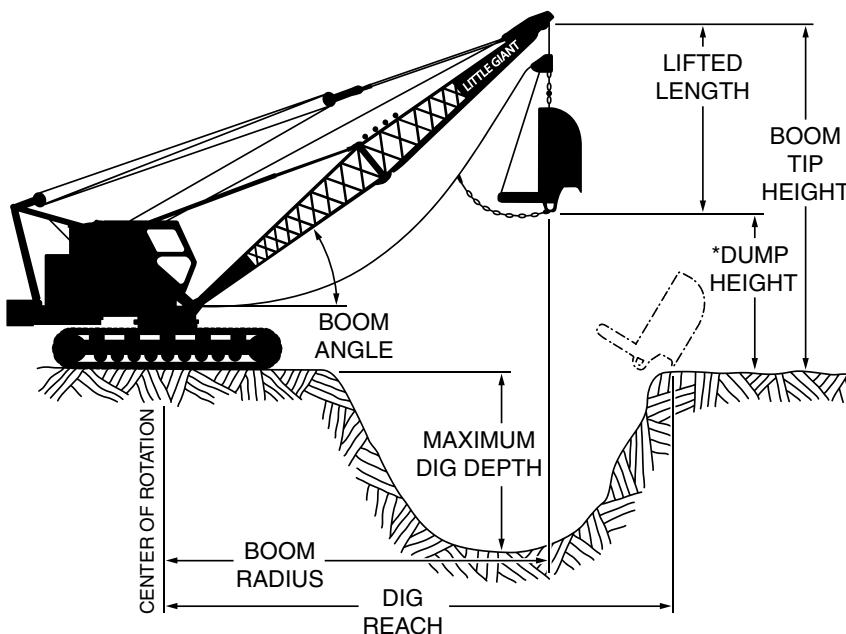
1. Refer to main load chart for additional information.
2. Dragline rating is based on the lesser of 100% of the crane load or 70% of hoist line pull.
3. Clamshell rating is based on the lesser of 90% of crane rated load or 70% of hoist line pull.
4. Weight of the bucket and its contents vary and must be determined by the operator.



Clamshell Bucket



Dragline Bucket



217 Patneau Drive  
Winona, Minnesota 55987  
Phone: (507) 454-1563  
Fax: (507) 453-6441  
www.littlegiantcorp.com

# C-64 Crawler 25 Ton

## SPECIFICATIONS

### Little Giant's C-64 Crawler is a specialized crane featuring a 25-ton capacity.

A deluxe cab with optional air conditioning, heavy-duty tracked lower chassis for exceptional traction around shorelines, easy-to-use controls, and many available options for magnet work, lifting, and dredging. With our standard free fall winch you can pile drive just like the big guys!

#### UPPER SPECIFICATIONS

##### ENGINE

- Cummins QSB-4.5-Tier 3
- Cummins 160 HP (119kw) @ 2,200 RPM
- 460 lb/ft. torque (624Nm) @ 1,500 RPM

##### ELECTRICAL

12 Volt with 100 Amp Alternator, Heavy Duty Battery

##### THROTTLE

Variable Speed Hand - Optional Foot Throttle

##### MASTER CLUTCH

Disconnect Clutch for Cold Weather Starting

##### TURNTABLE

Ball Bearing, Single Row, Bolted to Upper Structure and Carrier for Easy Removal

##### CONTROLS

Air, Variable Control, Adjustable for Self-Centering or Lock-In Operation

##### DRUM CLUTCHES

Two Shoe, Internal Expanding, Air Operated, 21-3/4" Dia. x 3-1/2" Wide

##### DRUM BRAKES

External Contracting, Band Type, 25" Dia. x 4" Wide

##### POWER LOAD LOWERING

Both Drums

##### BOOM HOIST

Power Up, Power Down, Independent of ALL Other Functions

##### GANTRY

Folding High Gantry

##### SWING SPEED

5 RPM

##### LINE SPEED

198 FPM

##### LINE PULL

13,000 lbs. with 12" Drum

##### WORKING WEIGHT as a DRAGLINE w/30" TRACK

- Less Bucket: 54,500 lbs.
- Ground Pressure: 5.56 PSI

##### STANDARD FEATURES

Deluxe Upholstered Seat with Backrest, All Vision Cab, Automatic Boom Hoist Kickout, Anti-Two Block Warning, Free Fall Winch, Twin Telescopic Boom Backstops, Boom Angle Indicator, Pendant Cable Suspension, Swing Brake, Signal Horn, Tool Box, Fire Extinguisher, Power Load Lowering, Triple Sheave Boom Point

##### OPTIONAL FEATURES

Third Drum, Boom Point Fairlead, Fairlead Extensions, Magnet Equipment, Foot Throttle, Hand Throttle (on lever), Crane Hook Readout Systems

#### BASE SPECIFICATIONS

##### TRAVEL DRIVE

Final Drive Assembly is a Totally Enclosed Gear Case with Integral Hydraulic Motor

##### LOWER ROLLERS

6.6" Dia./9 per side, Lifetime Lubricated

##### UPPER CHAIN SUPPORT

Wear Plate

##### TRAVEL

Independently Controlled Hydraulic Pumps & Motors

##### TRAVEL SPEED

Variable Speed - 0 to 1.5 MPH

##### TRACK FRAME

Reinforced, Standard C Channel, High Strength

##### STEERING

Counter-Rotating Track

##### DIGGING BRAKES

Multi-Wet Disc

##### LOWER TRAVEL GEARS

Multi-Stage Planetary Gear Reduction

##### TRACK

Tractor Type, Sealed, Hydraulic Adjustment, Low Profile

##### DRIVE SPROCKET

Tractor Type, Hunting Tooth Design

##### FRONT IDLERS

Tractor Type, Lifetime Lubricated, Track Tension and Adjusting Devices

##### TRACTIVE EFFORT

50,000 lbs.



All specifications are subject to change.



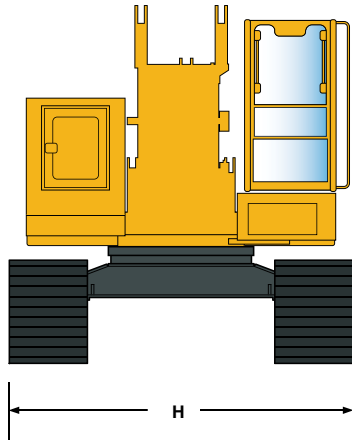
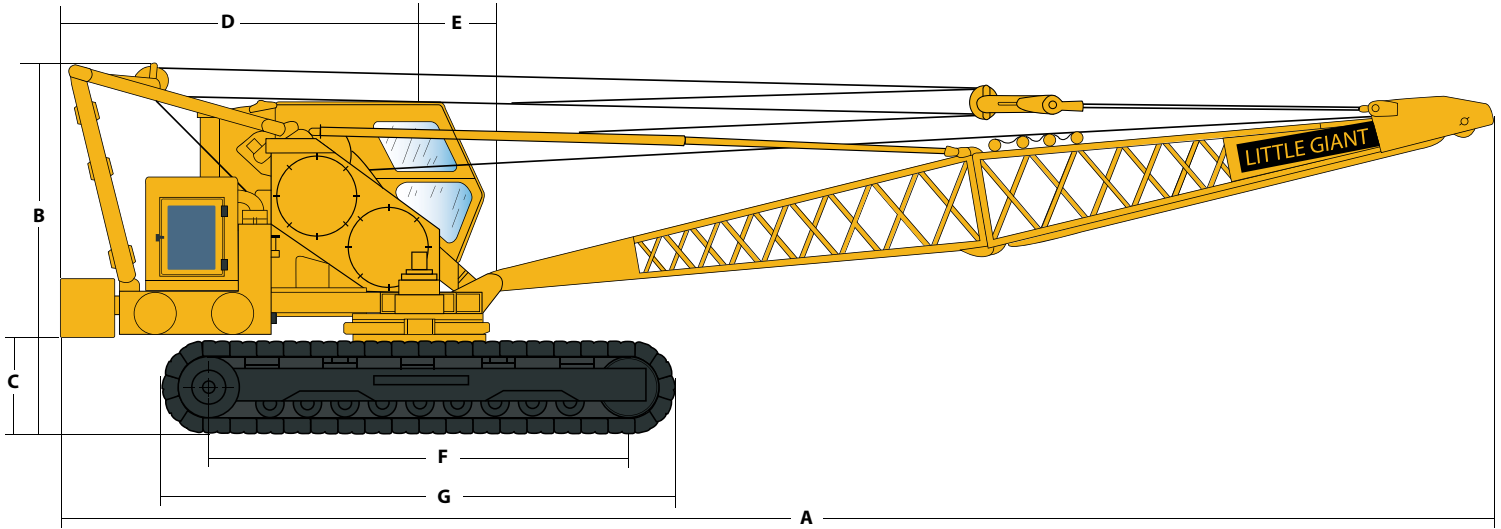
Little Giant Corporation is a Division of Manitex International, Inc.



217 Patneau Drive  
Winona, Minnesota 55987  
Phone: (507) 454-1563  
Fax: (507) 453-6441  
[www.littlegiantcorp.com](http://www.littlegiantcorp.com)

# C-64 Crawler 25 Ton

## GENERAL DIMENSIONS



Description	U.S.	Metric
<b>A</b> Overall Length with 30' Boom	44' 0"	13.41m
<b>B</b> Maximum Height Above Grade	11' 4"	3.45m
<b>C</b> Minimum Ground Clearance	2' 1"	0.63m
<b>D</b> Maximum Swing Clearance	10' 10"	3.30m
<b>E</b> Boom Foot Pin to Center of Rotation	2' 3-1/2"	0.70m
<b>F</b> Sprocket Center to Idler Center, Std.	12' 6"	3.76m
<b>G</b> Overall Track Length, Std.	15' 8"	4.78m
<b>H</b> Overall Width w/30" Track Shoes	11' 0"	3.35m
<b>I</b> Weight	52,000lbs.	4.78m

## OPTIONS FOR MODEL C-64 CRAWLER

### Model C64 Crawler 25-Ton Crane with 160HP Cummins QSB-4.5-Tier 3

- 5' Boom Extension with Pendent Cables
- 10' Boom Extension with Pendent Cables
- 20' Boom Extension with Pendent Cables
- Full Revolving Fairlead
- Boom Tip Fairlead
- LSI Load Moment System
- A-2-B Load Moment System
- Drum Rotation Indicators (both drums)
- Anti-Vandal Kit
- 10 Ton Hook Block
- 25 Ton Hook Block
- 3rd Drum Winch (hydraulic drive)
- Air Conditioner - Upper Cab
- Tagline - Single Barrel
- Electro-magnet 10KW Generator w/tagline and Controls
- 40' Magnet
- 1/2 Yard Dragline Bucket
- 5/8 Yard Dragline Bucket
- 1 Yard Dragline Bucket

**NOTE:** For clamshell and dragline applications you will need to order a revolving fairlead, boom tip fairlead, and a tagline.



217 Patneau Drive  
Winona, Minnesota 55987  
Phone: (507) 454-1563  
Fax: (507) 453-6441  
[www.littlegiantcorp.com](http://www.littlegiantcorp.com)