

Winlet
1265



Pat. Pending

Don't break your back - or the glass!

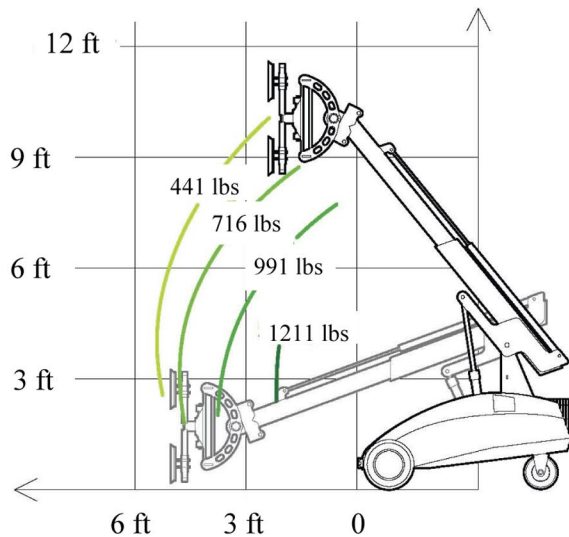
- **Lifts 1265 lbs**
- **Safer than manual handling**
- **Self propelled**
- **Improve job efficiency and work environment**
- **Access narrow doorways, elevators and balconies**
- **Twin wheels for rough terrain operations**



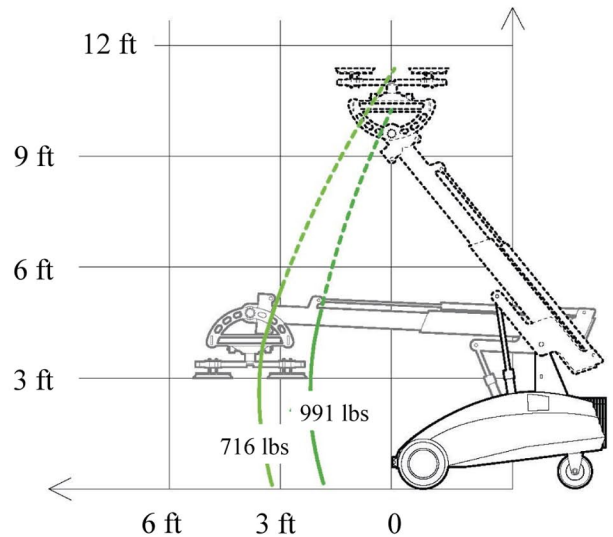
Lift airtight materials:

- **Glass**
- **Granite**
- **Concrete**
- **Plastic Sheets**
- **Steel Plates**
- **Wooden Sheets**
- **Tiles / Marble**
- **Fire Doors**
- **Aluminum Sheets**

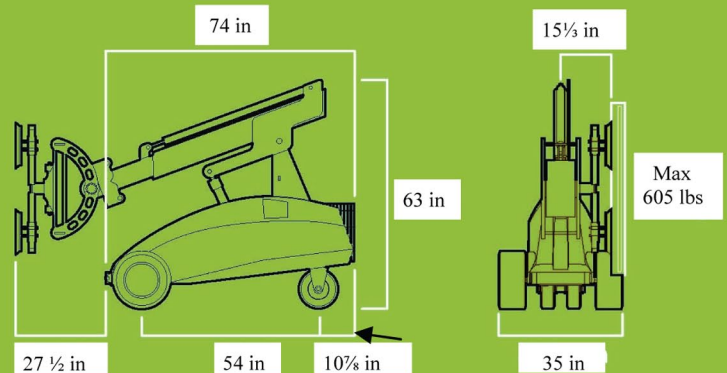
REACH DIAGRAM



PICKUP AND PLACE DIAGRAM



- **User friendly**
- **Easy to transport**
- **Increase efficiency**
- **Double action safety keys**
- **Improve safety on jobsites**
- **Gyro feature standard**
- **Increase your bottom line**
- **Multi functional control box**



Specifications

External Length	6'2"
External Width	2'11"
Max. Lifting Capacity	1265 lbs
Max Load at Max Extension	605 lbs
Maximum Capacity on Side	605 lbs
Total Weight - excl counterweight	2258 lbs
Total Weight - incl counterweight	2864 lbs
Min. Extension	2'3"
(Front bumper to suction cup)	
Max Extension	5'11"
(Front bumper to suction cup)	
Max Lifting Height	11'10"
(to center of lifting yoke)	
Hydraulic Side Offset	4"
Fine Lift on Arm	8"
Tilt Function	180°
Hydraulic Rotation	180°
Suction cups	4 x 13 3/4"
Batteries	2 x 150 AH



Accessories

- **Twin wheels for rough terrain**
- **Support wheels - extra stability**
- **Lifting fork for pallets**
- **Lifting hook for straps**
- **Forklift Adapter**



Superior Operator Interface

- **Operator friendly design**
- **Portable**
- **Easy to understand buttons and signal lights**
- **All functions in one place**
- **Double safety keys for material release**