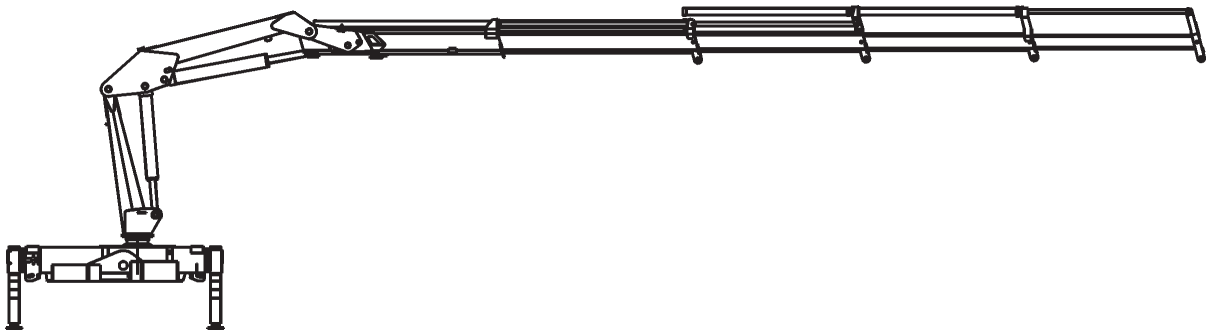


# IMT

## MATERIAL HANDLING SYSTEMS

### Repair Parts *Model 5/33 Crane*



**IOWA MOLD TOOLING CO., INC.**

BOX 189, GARNER, IA 50438-0189

641-923-3711

TECHNICAL SUPPORT FAX: 641-923-2424

MANUAL PART NUMBER: 99904675

Iowa Mold Tooling Co., Inc. is an Oshkosh Corporation company.

**In addition to the information presented in this manual, read and understand the IMT Crane Operator's Safety Manual before operating or performing any maintenance on your crane.**

**REVISIONS LIST**

<b>DATE</b>	<b>LOCATION</b>	<b>DESCRIPTION OF CHANGE</b>
20091204	THROUGHOUT	UPDATE FITTINGS, HOSES
20100216	31	ADDED RUBBER BOOT TO M50CONTROL VALVE
20111213		ECN 11628 - UPDATED STABILIZER WORDING

# TABLE OF CONTENTS

REVISIONS LIST .....	2
INTRODUCTION .....	4
BASE .....	5
ROTATION (SLEWING) SYSTEM-400° .....	6
MAST (COLUMN) .....	7
INNER (MAIN) BOOM .....	8
OUTER (JIB) BOOM .....	9
1ST STG EXT BOOM .....	10
2ND STG EXT BOOM .....	11
3RD STG EXT BOOM .....	12
4TH STG EXT BOOM .....	13
HOOK SUSPENSION .....	14
MANUAL EXTENSIONS-1H .....	15
MANUAL EXTENSIONS-2H .....	16
MANUAL EXTENSIONS-3H .....	17
MANUAL EXTENSIONS-4H .....	18
INNER BOOM CYLINDER C90-600 .....	19
OUTER (JIB) BOOM CYLINDER C100-705 .....	20
EXTENSION CYLINDER C45-1485 (Ø30/Ø16) .....	21
EXTENSION CYLINDER C45-1485 (Ø25) .....	22
STABILIZER CYLINDER C80-550 .....	23
STABILIZER CYLINDER C80-640 .....	24
STABILIZER ARM SV .....	25
STABILIZER ARM SR .....	26
STABILIZER ARM DV .....	27
STABILIZER ARM DR .....	28
VALVE GROUP-RS150 .....	29
VALVE BRACKET & DUAL CONTROL-RS150 .....	30
CONTROL VALVE, M50 .....	31
VALVE BRACKET AND DUAL CONTROL M50 .....	32
VALVE BLOCK FOR SERIAL CONNECTION .....	33
ELECTRO-HYDRAULIC NEM-KIT, NEM RADIO REMOTE CONTROL .....	34
HYDRAULIC SYSTEM-PUMP & TANK-RS150 .....	35
HYDRAULIC SYSTEM-PUMP & TANK-M50 .....	36
HYDRAULIC SYSTEM-ROTATION CYLINDER-RS150 .....	37
HYDRAULIC SYSTEM-ROTATION CYLINDER WITH LHV .....	38
HYDRAULIC SYSTEM-ROTATION CYLINDER WITH LHV, M50 .....	39
HYDRAULIC SYSTEM-INNER BOOM CYLINDER-C90-600 .....	40
HYDRAULIC SYSTEM-INNER BOOM CYLINDER-C=6 O'CLOCK, M50 .....	41
HYDRAULIC SYSTEM-INNER BOOM CYLINDER-C=12 O'CLOCK, M50 .....	42
HYDRAULIC SYSTEM-OUTER BOOM CYLINDER-C110-760 .....	43
HYDRAULIC SYSTEM-EXT CYLINDER-1H-C45-1485 .....	44
HYDRAULIC SYSTEM-EXT CYLINDER-2H-C45-1485 .....	45
HYDRAULIC SYSTEM-EXT CYLINDER-3H-C45-1485 .....	46
HYDRAULIC SYSTEM-EXT CYLINDER-4H-C45-1485 .....	47
HYDRAULIC SYSTEM-STABILIZERS-TYPE SV/SR .....	48
HYDRAULIC SYSTEM-STABILIZERS-TYPE DV/DR .....	49
DECAL PLACEMENT, 5/33 CRANE (99904676) .....	50
MOUNTING FITTINGS .....	51
DUAL CONTROL 2 STABILIZER VALVES .....	52
DUAL CONTROL FOR SERIAL CONNECTION, M50 .....	53
SERIES CONNECTION PARTS-RS150 .....	54
SERIES CONNECTION PARTS-M50 .....	55
EXTRA VALVES-1H .....	56
EXTRA VALVES-2H .....	57
EXTRA VALVES-3H .....	58
EXTRA VALVES-4H .....	59

## PARTS-4 INTRODUCTION

### GENERAL

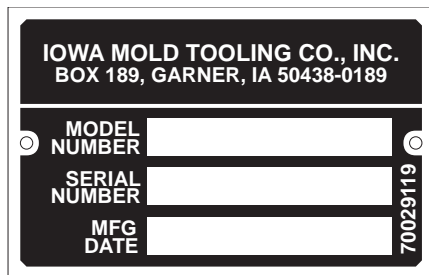
This manual contains the parts drawings with accompanying parts lists for the assemblies used on this crane. These drawings are intended to be used in conjunction with the instructions found in the Instruction Manual.

### WARNING

DO NOT ATTEMPT TO REPAIR ANY COMPONENT WITHOUT READING THE INFORMATION CONTAINED IN THE INSTRUCTION MANUAL. PAY PARTICULAR ATTENTION TO THE WARNINGS, CAUTIONS AND NOTES CONTAINED IN THAT MANUAL. FAILURE TO COMPLY WITH THESE INSTRUCTIONS MAY RESULT IN DAMAGE TO THE EQUIPMENT, AN INJURY OR EVEN DEATH.

### CRANE IDENTIFICATION

Every crane has a serial number placard attached to the mast. When ordering parts, communicating warranty information or referring to the unit in correspondence, always include the assigned serial number and model number as shown on the serial number placard.



**SERIAL NUMBER PLACARD**

### ORDERING REPAIR PARTS

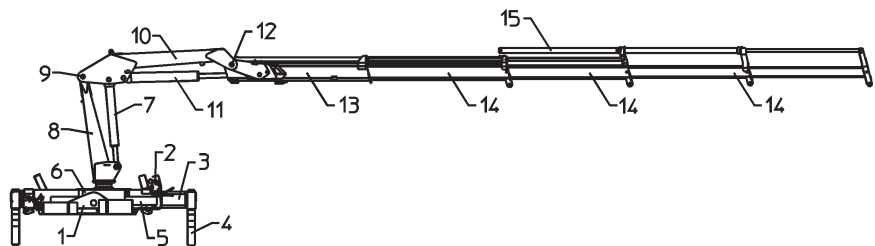
When ordering replacement parts:

1. Give the model number of the unit.
2. Give the serial number of the unit.
3. Specify the complete part number. When ordering complete cylinders or assemblies, identify the cylinder or assembly by name.
4. Give a complete description of the part.
5. Specify the quantity required.

All inquiries should be addressed to:

**Iowa Mold Tooling Co., Inc.**  
**Box 189, Garner, IA 50438-0189**  
**Telephone: 641-923-3711**  
**Technical Support Fax: 641-923-2424**

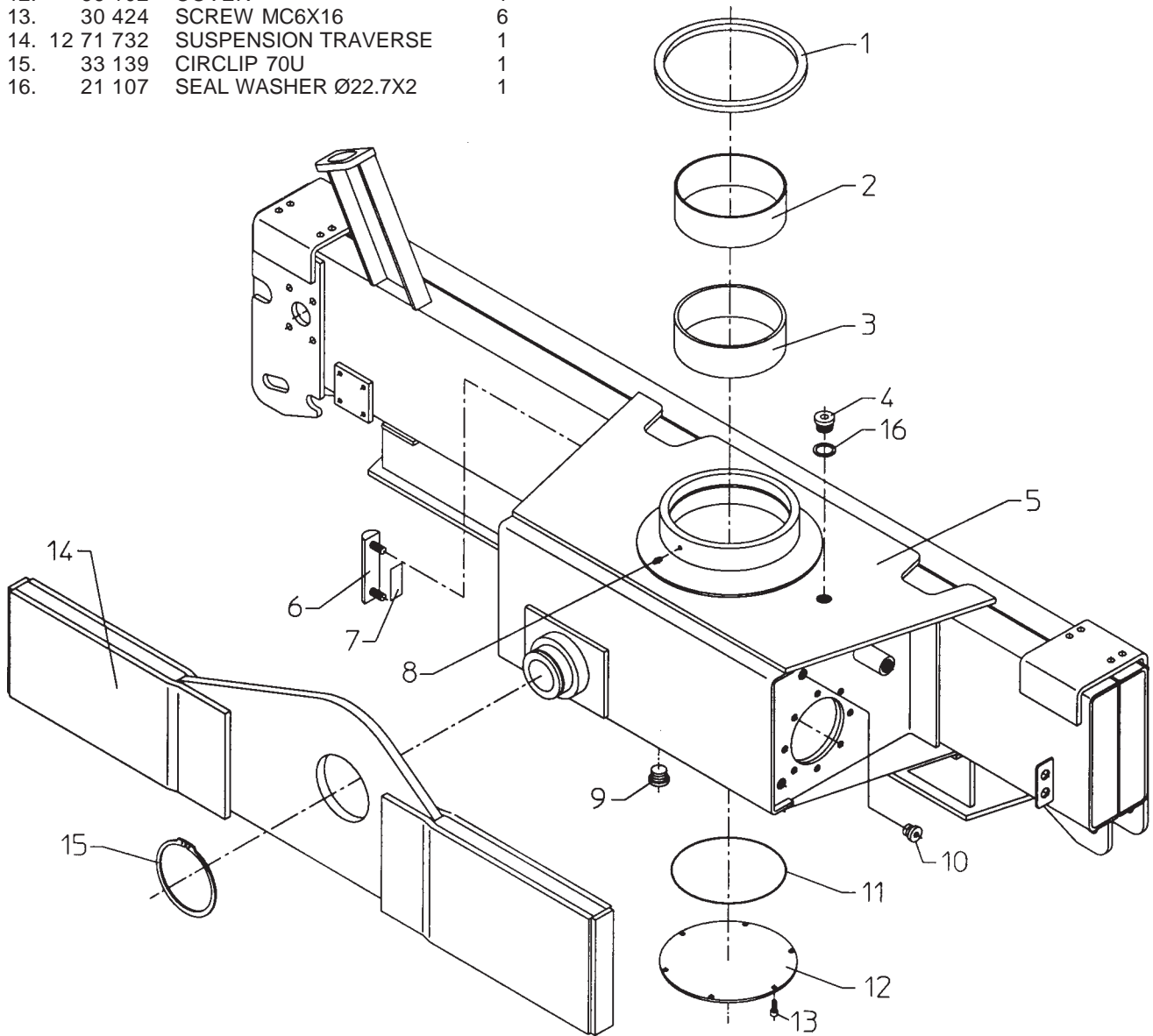
1. Suspension traverse
2. Control valve block
3. Stabilizer beam
4. Stabilizer leg
5. Rotation/Slewing cylinder
6. Base
7. Inner/Boom cylinder
8. Mast/Column
9. Hinge pin
10. Inner/Main boom
11. Outer/Jib cylinder
12. Outer/Jib pin
13. Outer boom/Jib
14. Extension boom
15. Extension cylinder



**COMPONENT REFERENCE**

**BASE**

1.	13 00 664	BEARING	1
2.	13 00 654	BEARING	1
3.	23 915	BUSHING	1
4.	26 155	PLUG M22X1.5	1
5.	13 12 112	BASE	1
6.	60 957	OIL LEVEL INDICATOR	1
7.	65 735	LABEL	1
8.	31 329	ZERK M6X1-0	1
9.	25 103	PLUG	1
10.	25 277	PLUG	1
11.	20 201	O-RING 139.5X3	1
12.	66 102	COVER	1
13.	30 424	SCREW MC6X16	6
14.	12 71 732	SUSPENSION TRAVERSE	1
15.	33 139	CIRCLIP 70U	1
16.	21 107	SEAL WASHER Ø22.7X2	1

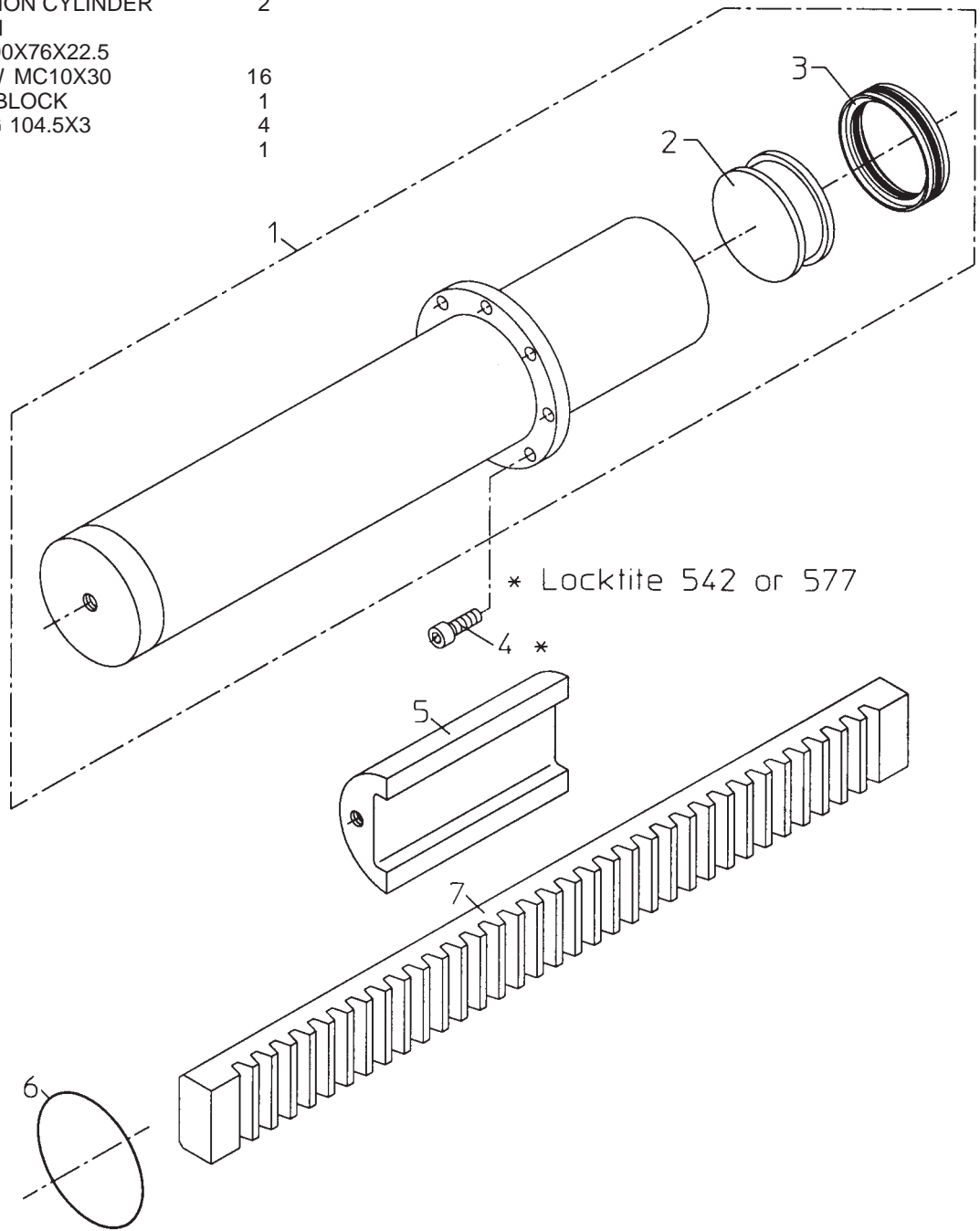


5/33: 450 01 100: 19990630

PARTS-6

**ROTATION (SLEWING) SYSTEM-400°**

		REF
68 92 950	SEAL KIT (INCL: 3,6)	
1. 12 90 564	ROTATION CYLINDER	2
2. 12 90 574	PISTON	
3. 20 786	SEAL 90X76X22.5	16
4. 30 455	SCREW MC10X30	1
5. 12 90 593	SLIDE BLOCK	4
6. 20 195	O-RING 104.5X3	1
7. 12 90 583	RACK	



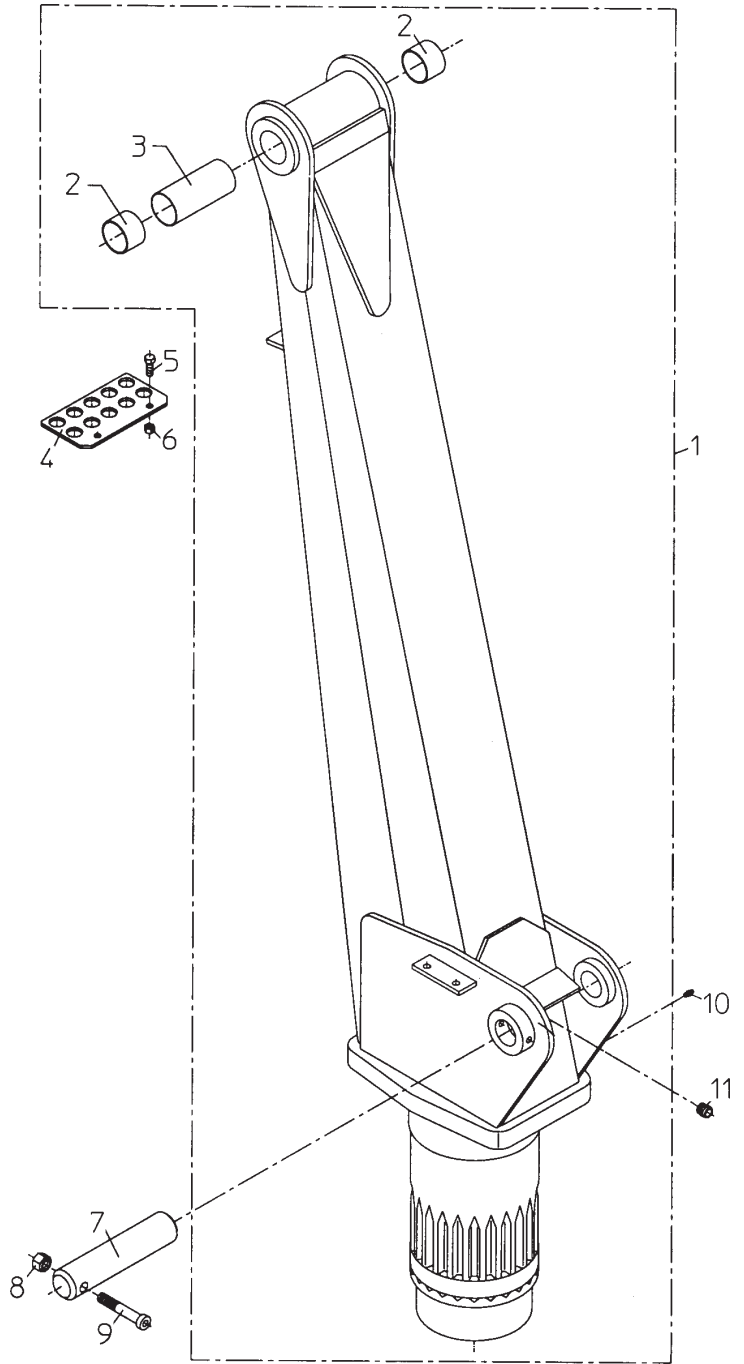
5/33: 450 01 200: 200102012

**MAST (COLUMN)**

- 1. 13 10 020 MAST (COMPLETE)
- 2. 23 333 BUSHING
- 3. 12 68 094 DISTANCE RING
- 4. 66 094 CLAMP
- 5. 30 132 SET SCR M8X20
- 6. 30 886 LOCK NUT M8
- 7. 13 11 724 PIN
- 8. 30 890 LOCK NUT M12
- 9. 30 963 SCREW MC12X70
- 10. 31 329 ZERK M6X1-0
- 11. 59 371 PLUG M6X1-0

**PARTS-7**

- 1
- 1
- 2
- 2
- 1
- 1
- 1
- 1
- 1
- 1

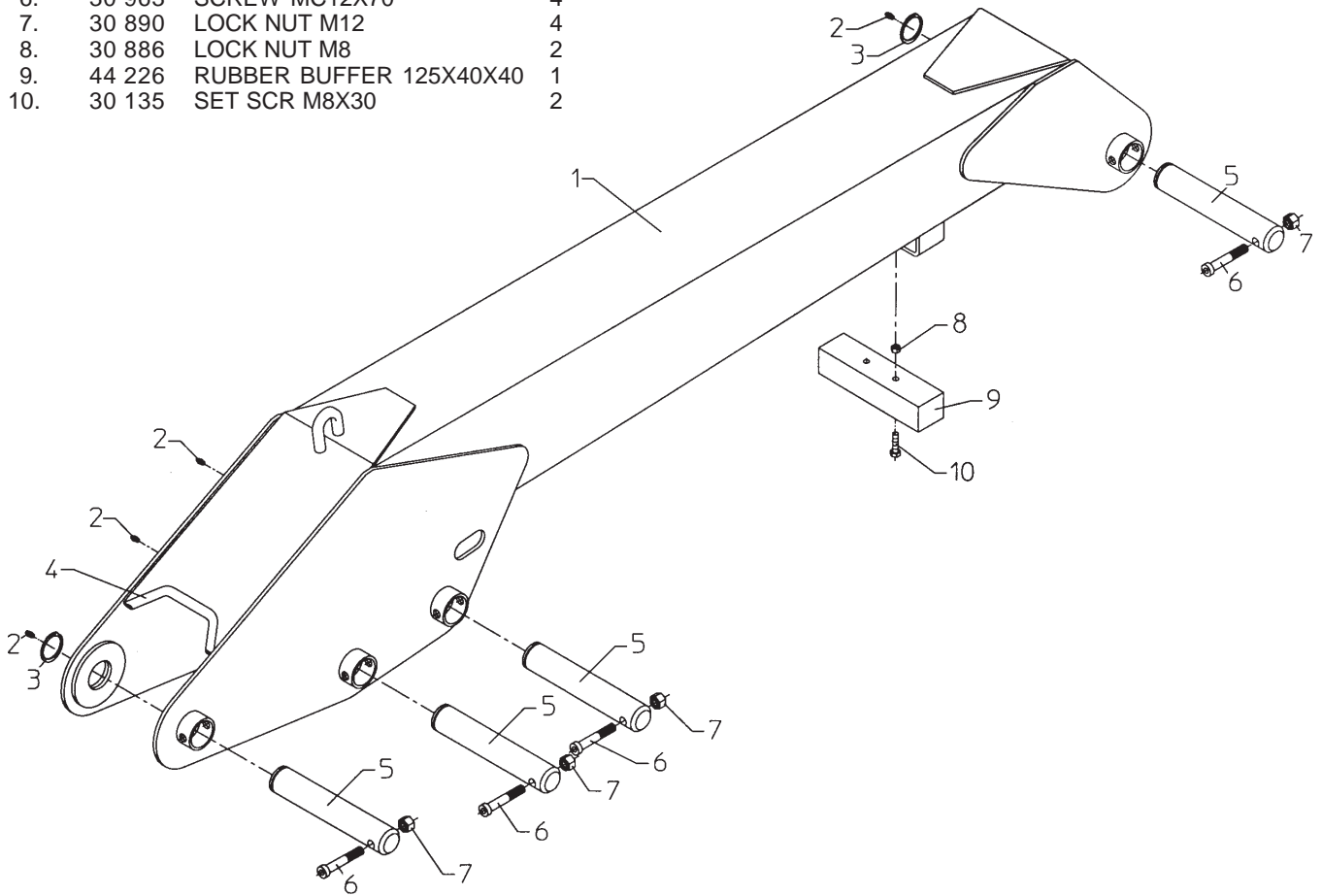


5/33: 450 02 010: 20010212

PARTS-8

**INNER (MAIN) BOOM**

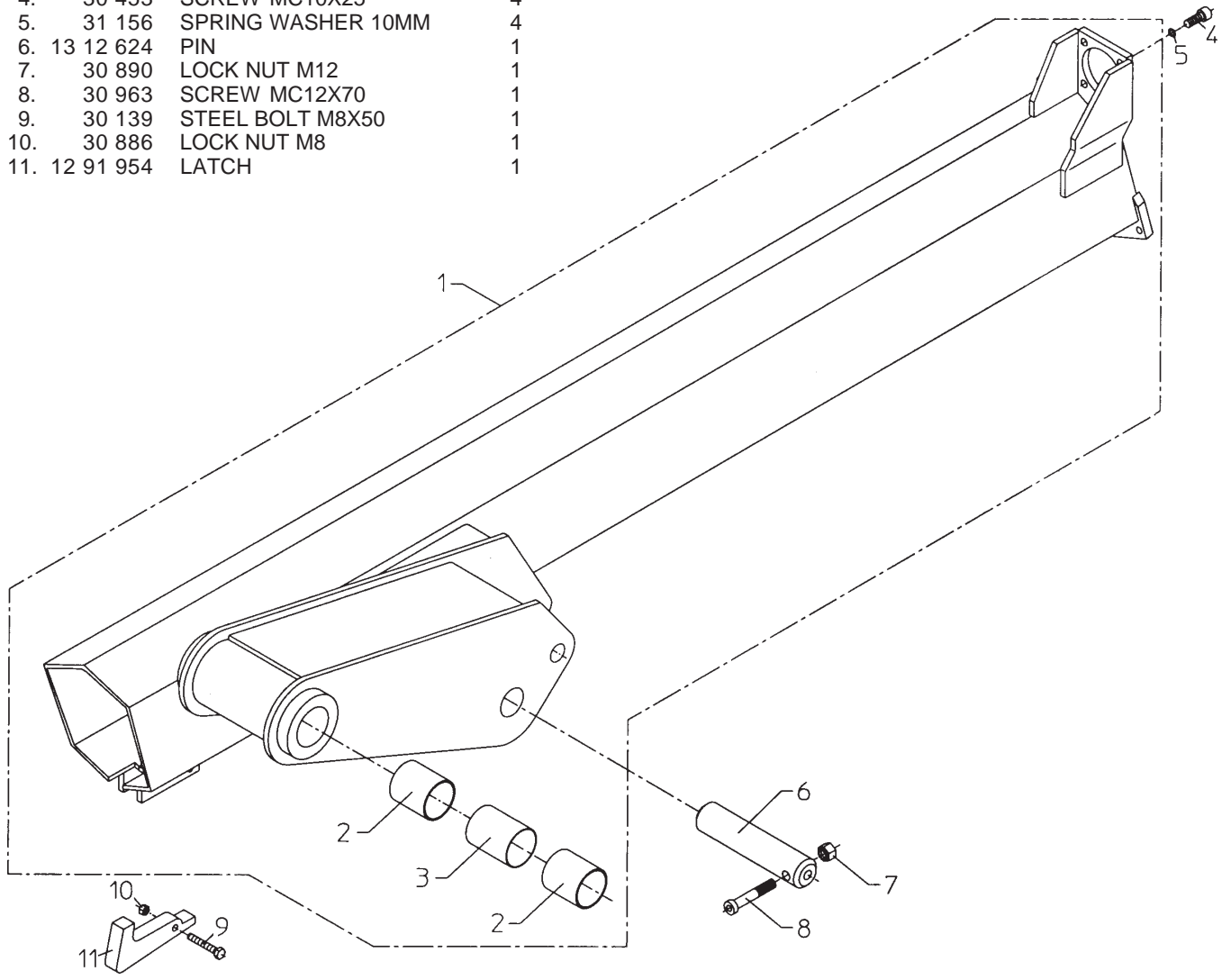
1.	13 11 512	INNER BOOM	1
2.	31 329	ZERK M6X1-0	4
3.	33 121	CIRCLIP 40U	2
4.	21 943	CLAMP PROFILE 176MM	1
5.	13 11 734	PIN	4
6.	30 963	SCREW MC12X70	4
7.	30 890	LOCK NUT M12	4
8.	30 886	LOCK NUT M8	2
9.	44 226	RUBBER BUFFER 125X40X40	1
10.	30 135	SET SCR M8X30	2





**OUTER (JIB) BOOM**

- |     |           |                    |   |
|-----|-----------|--------------------|---|
| 1.  | 13 10 030 | JIB (COMPLETE)     | 1 |
| 2.  | 23 333    | BUSHING PM5060DX   |   |
| 3.  | 12 68 094 | DISTANCE RING      |   |
| 4.  | 30 453    | SCREW MC10X25      | 4 |
| 5.  | 31 156    | SPRING WASHER 10MM | 4 |
| 6.  | 13 12 624 | PIN                | 1 |
| 7.  | 30 890    | LOCK NUT M12       | 1 |
| 8.  | 30 963    | SCREW MC12X70      | 1 |
| 9.  | 30 139    | STEEL BOLT M8X50   | 1 |
| 10. | 30 886    | LOCK NUT M8        | 1 |
| 11. | 12 91 954 | LATCH              | 1 |

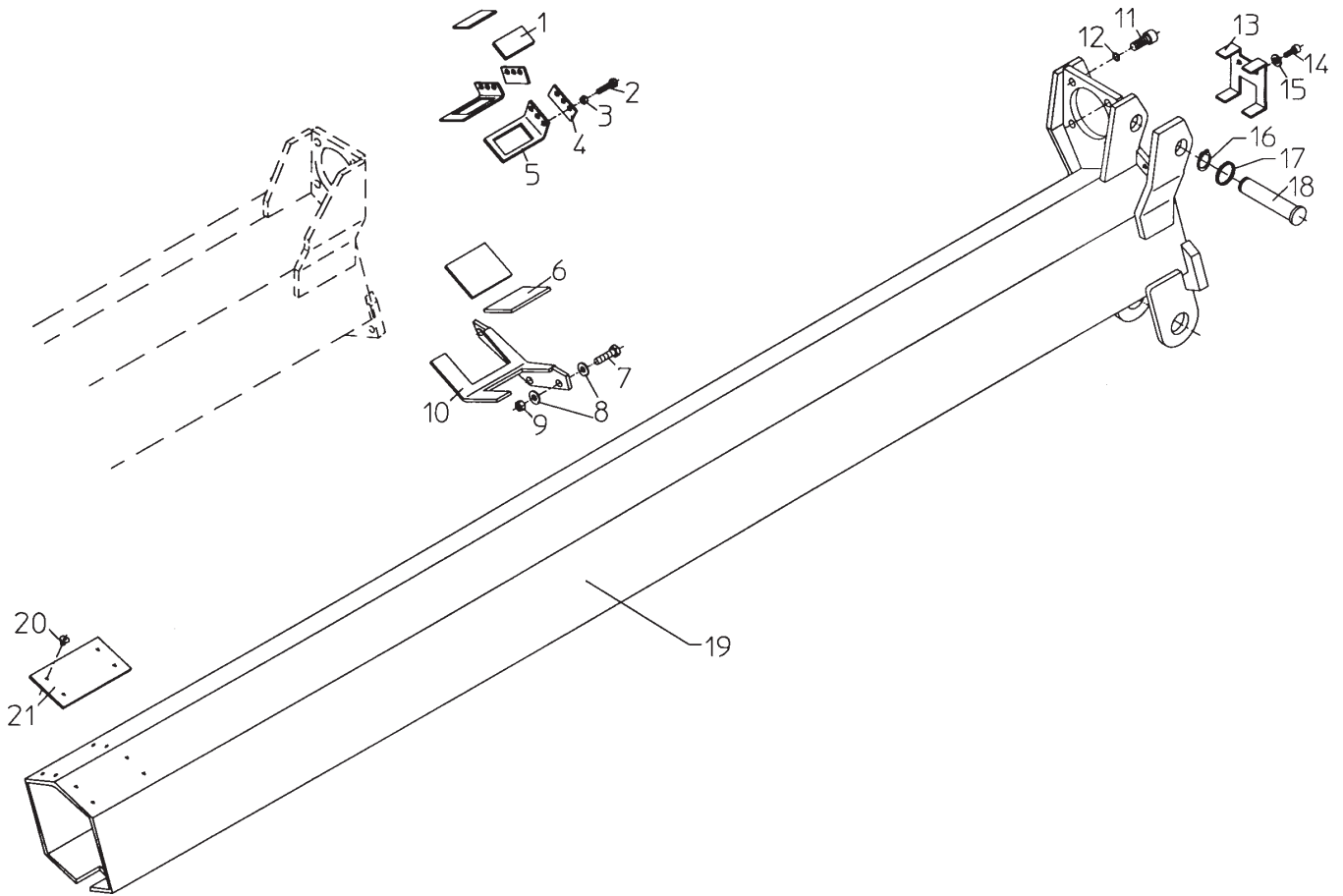


5/33: 450 02 100: 19990630

PARTS-10

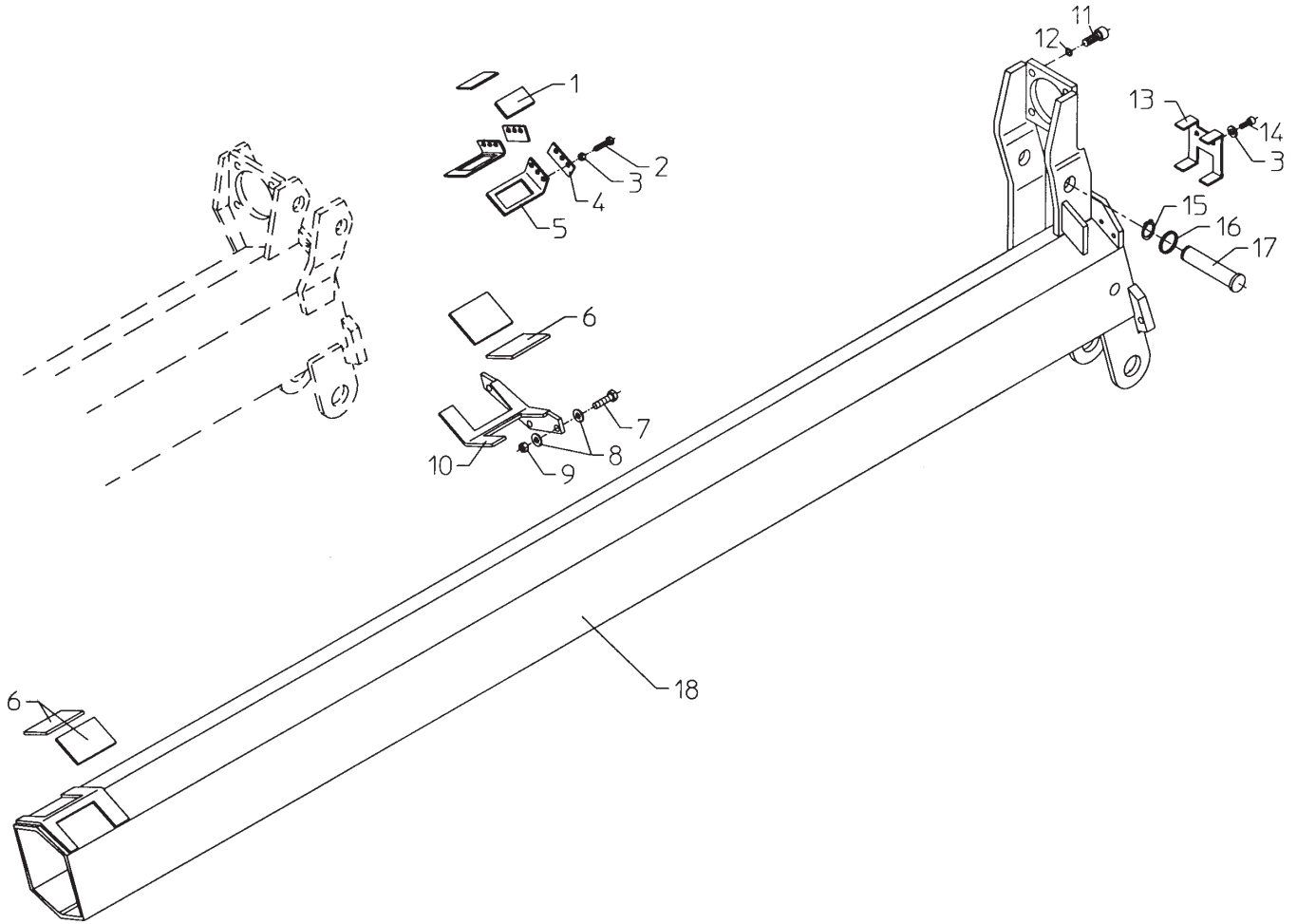
**1ST STG EXT BOOM**

1.	63 756	SLIDE BLOCK	2	12.	31 156	SPRING WASHER 10MM	4
2.	30 114	SET SCR M6X25	4	13.	66 092	BRACKET	1
3.	30 884	LOCK NUT M6	4	14.	30 424	SCREW MC6X16	2
4.	66 088	SPACER	1	15.	31 154	SPRING WASHER 6MM	2
5.	66 089	BRACKET	2	16.	33 108	CIRCLIP 20U	1
6.	63 752	SLIDE BLOCK	2	17.	31 179	WASHER 37X21X3	1
7.	30 135	SET SCR M8X30	3	18.	12 91 904	PIN	1
8.	30 136	WASHER 8MM	3	19.	13 10 562	EXTENSION 193X120MM	1
9.	30 886	LOCK NUT M8	3	20.	30 516	COUNTERSUNK SCR MK6X8	8
10.	12 91 633	BRACKET	1	21.	63 751	SLIDE BLOCK	2
11.	30 453	SCREW MC10X25	4				



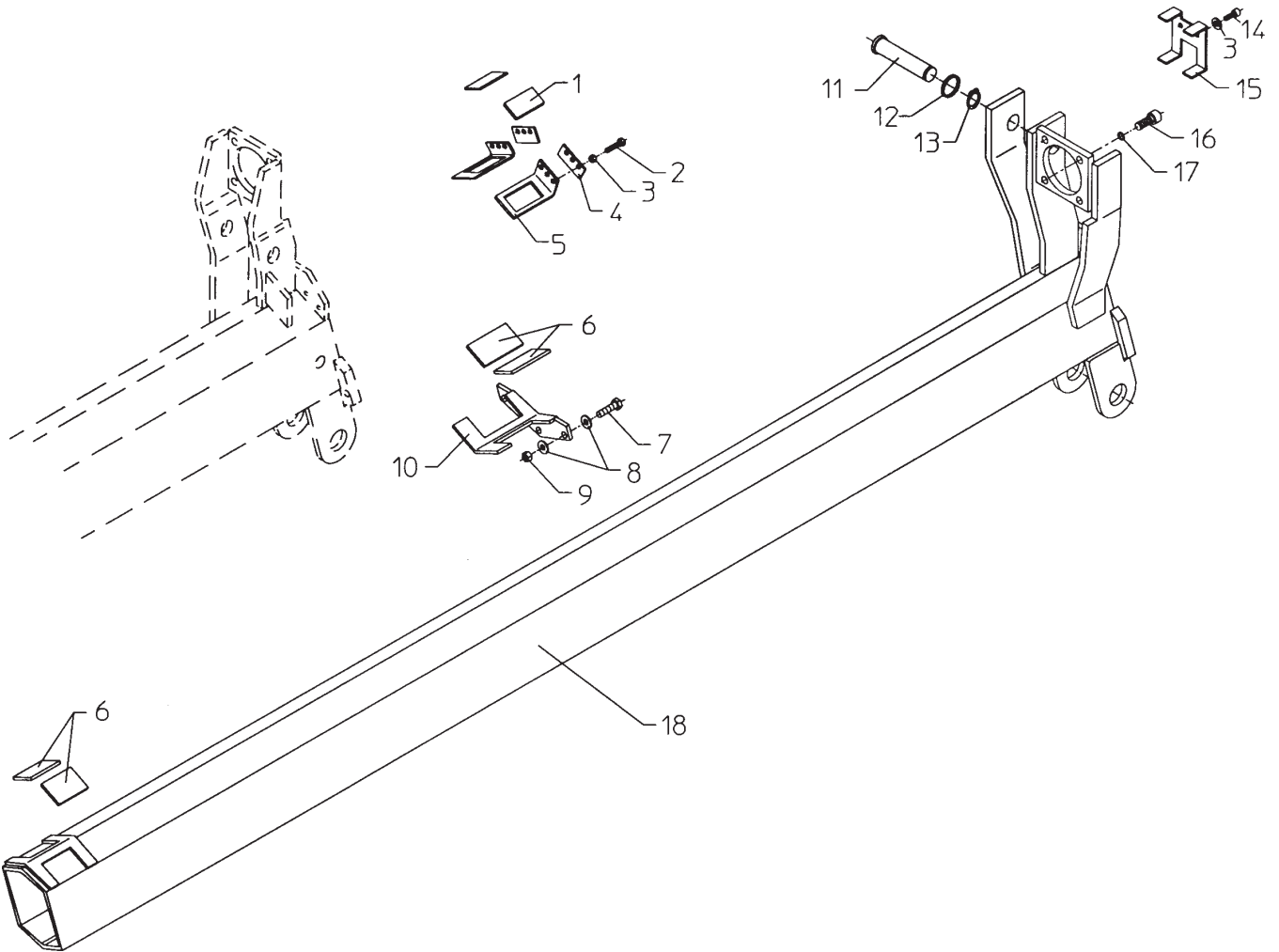
**2ND STG EXT BOOM**

1.	63 756	SLIDE BLOCK	2	10.	12 91 643	BRACKET	1
2.	30 112	SET SCR M6X16	4	11.	30 453	SCREW MC10X25	4
3.	31 154	SPRING WASHER 6MM	6	12.	31 156	SPRING WASHER 10MM	4
4.	66 088	SPACER	2	13.	66 092	BRACKET	1
5.	66 089	BRACKET	2	14.	30 424	SCREW MC6X16	2
6.	63 753	SLIDE BLOCK	2	15.	33 108	CIRCLIP 20U	1
7.	30 135	SET SCR M8X30	3	16.	31 179	WASHER 37X21X3	1
8.	31 136	WASHER 8MM	3	17.	12 91 904	PIN	1
9.	30 886	LOCK NUT M8	3	18.	13 10 582	EXTENSION 170X100MM	1



**3RD STG EXT BOOM**

1.	63 756	SLIDE BLOCK	2	10.	12 91 653	BRACKET	1
2.	30 112	SET SCR M6X16	4	11.	12 91 904	PIN	1
3.	31 154	SPRING WASHER 6MM	6	12.	31 179	WASHER 37X21X3	1
4.	66 088	SPACER	2	13.	33 108	CIRCLIP 20U	1
5.	66 089	BRACKET	2	14.	30 424	SCREW MC6X16	2
6.	63 754	SLIDE BLOCK	4	15.	66 092	BRACKET	1
7.	30 135	SET SCR M8X30	3	16.	31 156	SPRING WASHER 10MM	4
8.	30 136	WASHER 8MM	3	17.	30 453	SCREW MC10X25	4
9.	30 886	LOCK NUT M8	3	18.	13 10 602	EXTENSION 147X80MM	1

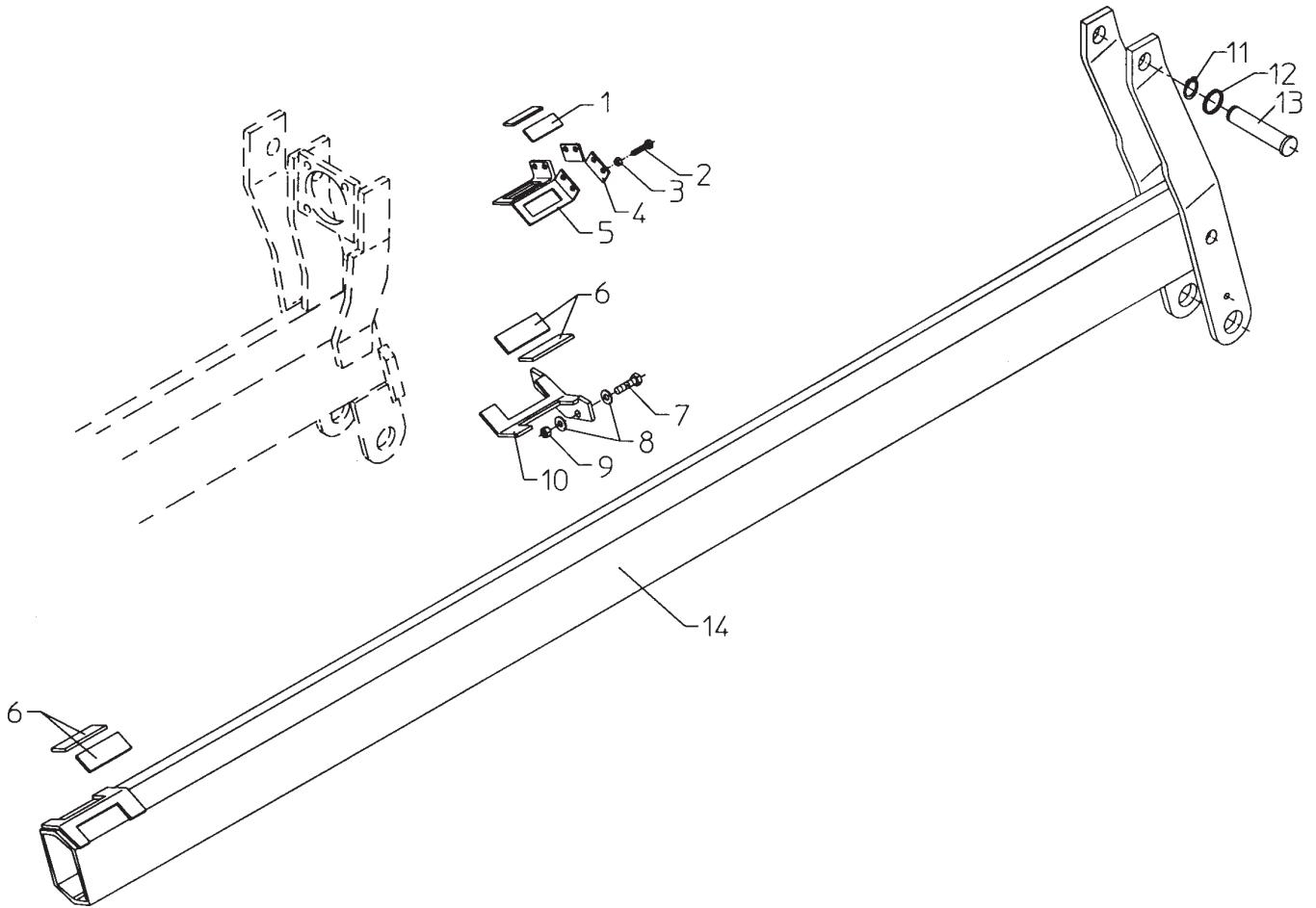


5/33: 450 02 130: 19990630

PARTS-13

**4TH STG EXT BOOM**

1.	63 757	SLIDE BLOCK	2	8.	31 136	WASHER 8MM	2
2.	30 112	SET SCR M6X16	4	9.	30 886	LOCK NUT M8	2
3.	31 154	SPRING WASHER 6MM	4	10.	12 91 663	BRACKET	1
4.	66 090	SPACER	2	11.	33 108	CIRCLIP 20U	1
5.	66 091	BRACKET	2	12.	31 179	WASHER 37X21X3	1
6.	63 755	SLIDE BLOCK	4	13.	12 91 904	PIN	1
7.	30 135	SET SCR M8X30	2	14.	13 10 622	EXTENSION 124X60MM	1

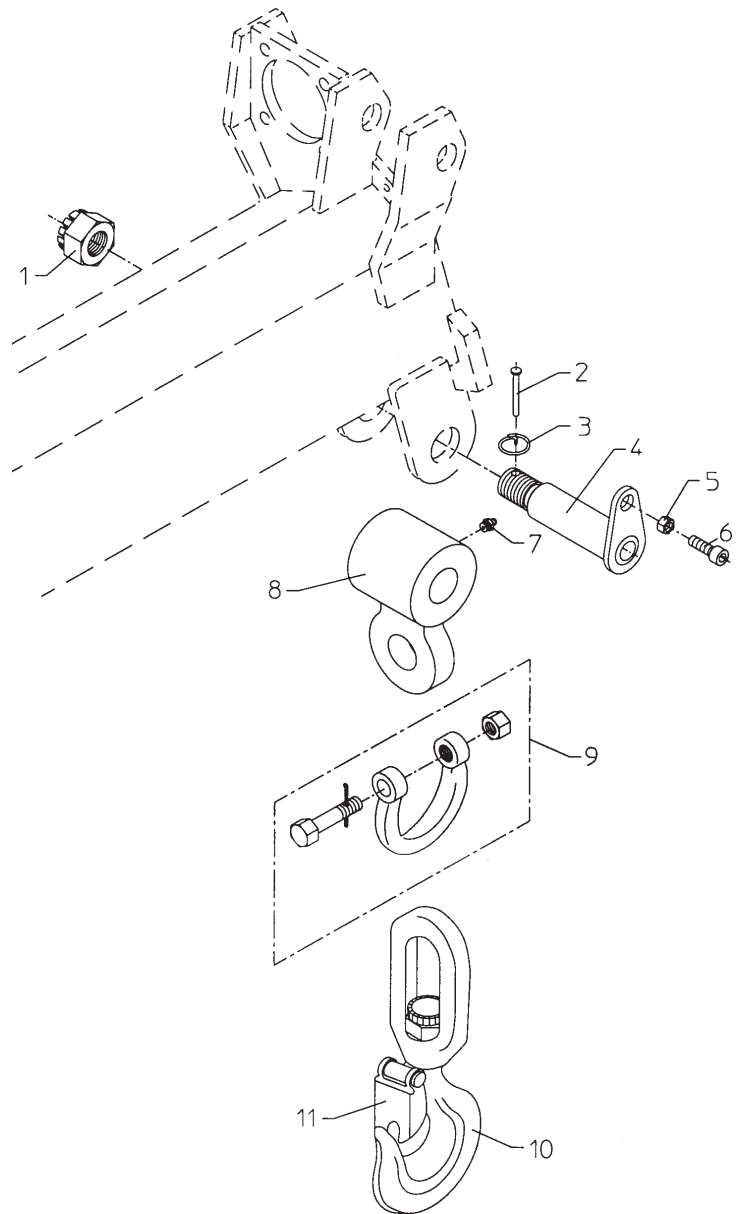


5/33: 450 02 500: 19990630

PARTS-14

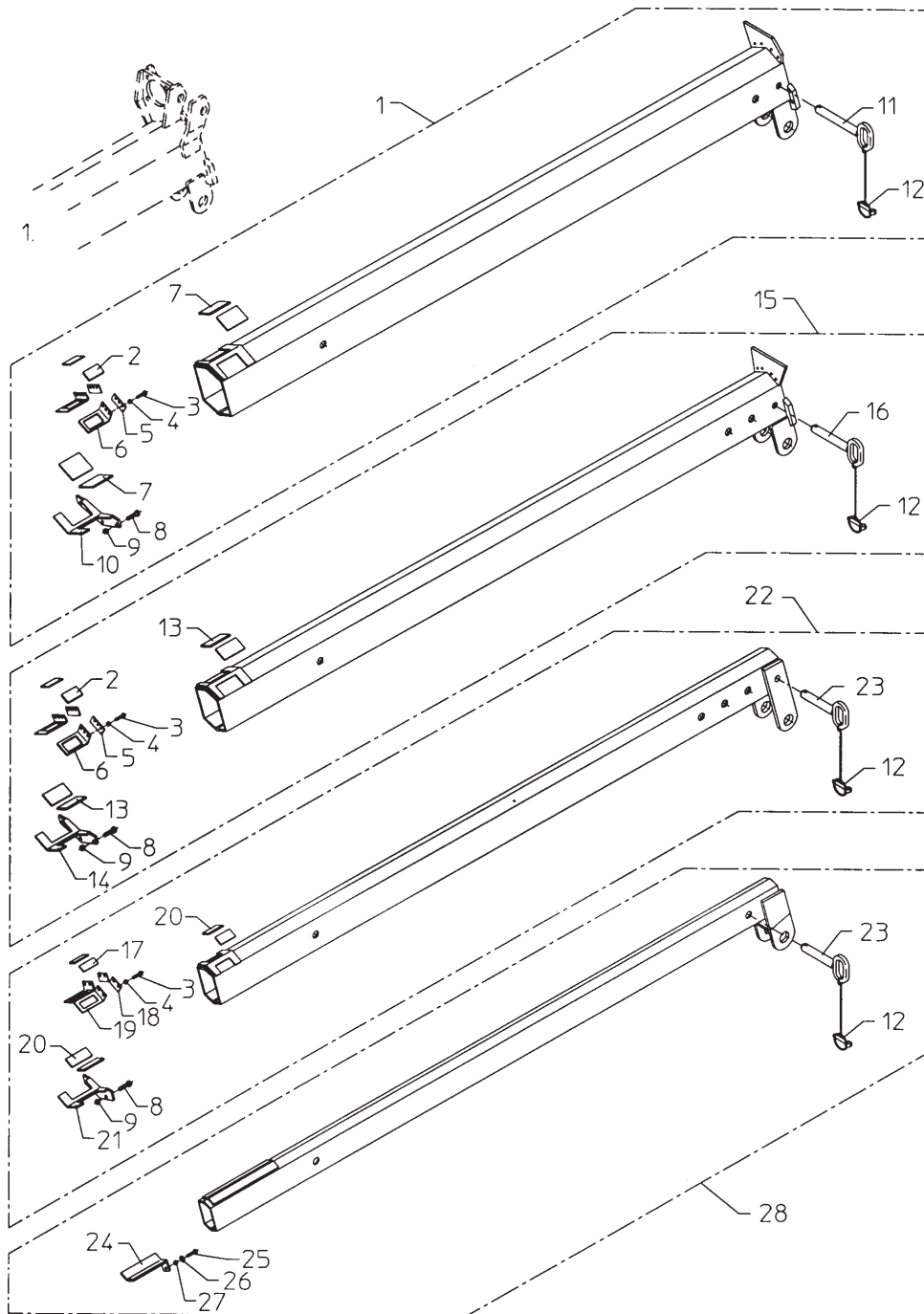
**HOOK SUSPENSION**

1.	30 837	NUT M24	1
2.	31 280	COTTER BOLT Ø5X40	1
3.	33 458	LOCK RING-SS	1
4.	12 93 124	PIN	1
5.	30 886	LOCK NUT M8	1
6.	30 438	SCREW MC8X20	1
7.	31 318	ZERK 1/8"RG-0	1
8.	60 82 874	SUSPENSION WELDMENT	1
9.	62 115	SHACKLE SWL 3.25TON	1
10.	62 101	HOOK 40KN	1
11.	62 143	SAFETY LATCH 4.2TON	1



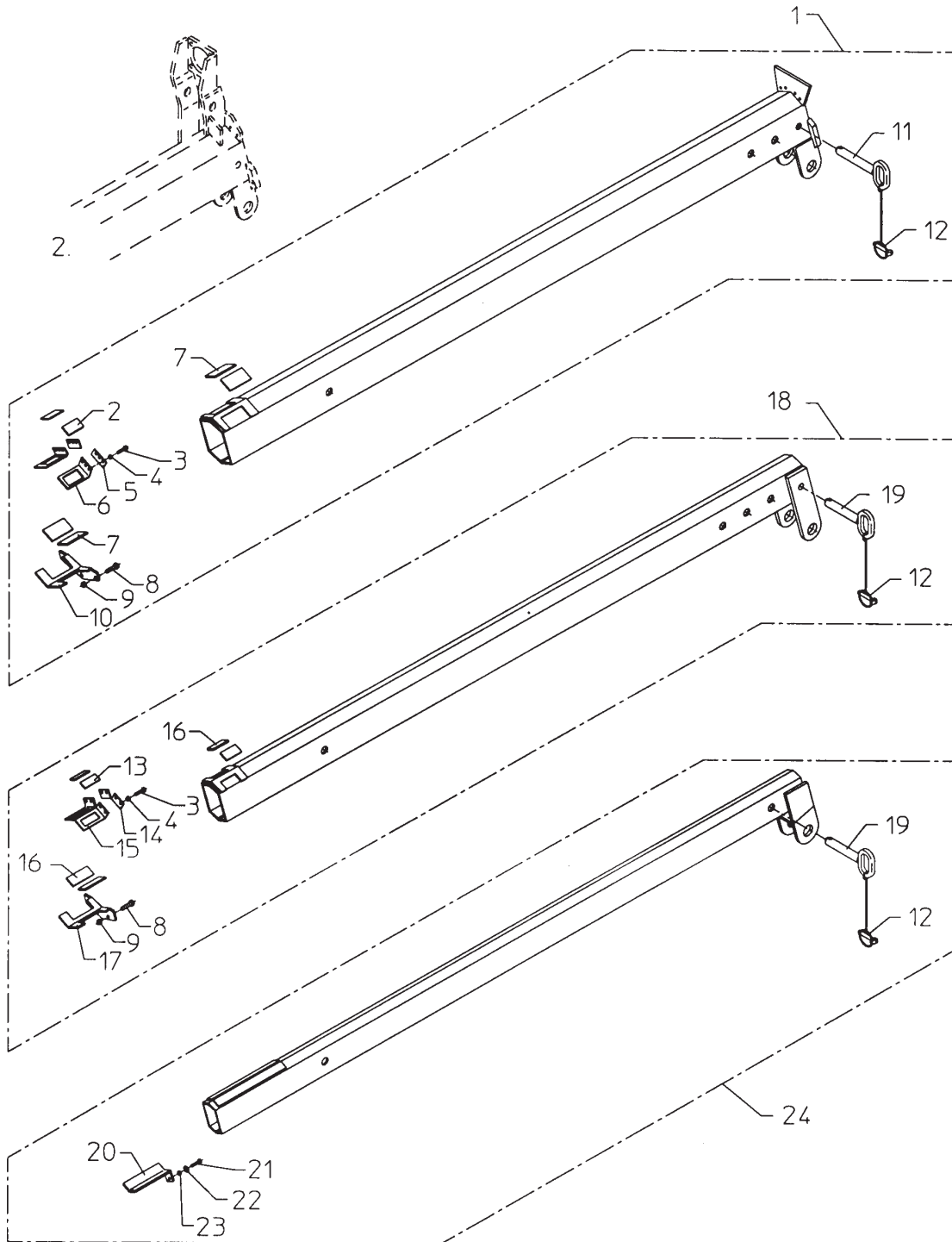
**MANUAL EXTENSIONS-1H**

- |     |           |                          |   |     |           |                         |   |
|-----|-----------|--------------------------|---|-----|-----------|-------------------------|---|
| 1.  | 13 10 040 | MNL EXT (COMPL)170X100MM | 1 | 15. | 13 10 050 | MNL EXT (COMPL)147X80MM | 1 |
| 2.  | 63 756    | SLIDE BLOCK              |   | 16. | 12 93 584 | PIN                     |   |
| 3.  | 30 112    | SET SCR M6X16            |   | 17. | 63 757    | SLIDE BLOCK             |   |
| 4.  | 31 154    | SPRING WASHER 6MM        |   | 18. | 66 090    | SPACER                  |   |
| 5.  | 66 088    | SPACER                   |   | 19. | 66 091    | BRACKET                 |   |
| 6.  | 66 089    | BRACKET                  |   | 20. | 63 755    | SLIDE BLOCK             |   |
| 7.  | 63 753    | SLIDE BLOCK              |   | 21. | 12 91 663 | BRACKET                 |   |
| 8.  | 30 135    | SET SCR M8X30            |   | 22. | 13 10 060 | MNL EXT (COMPL)124X60MM | 1 |
| 9.  | 30 886    | LOCK NUT M8              |   | 23. | 12 93 574 | PIN                     |   |
| 10. | 12 91 643 | BRACKET                  |   | 24. | 66 093    | BRACKET                 |   |
| 11. | 12 93 594 | PIN                      |   | 25. | 30 114    | SET SCR M6X25           |   |
| 12. | 33 387    | SPLIT RING Ø8            |   | 26. | 31 134    | WASHER 6MM              |   |
| 13. | 63 754    | SLIDE BLOCK              |   | 27. | 30 884    | LOCK NUT M6             |   |
| 14. | 12 91 653 | BRACKET                  |   | 28. | 13 10 070 | MNL EXT (COMPL)101X45MM | 1 |



**MANUAL EXTENSIONS-2H**

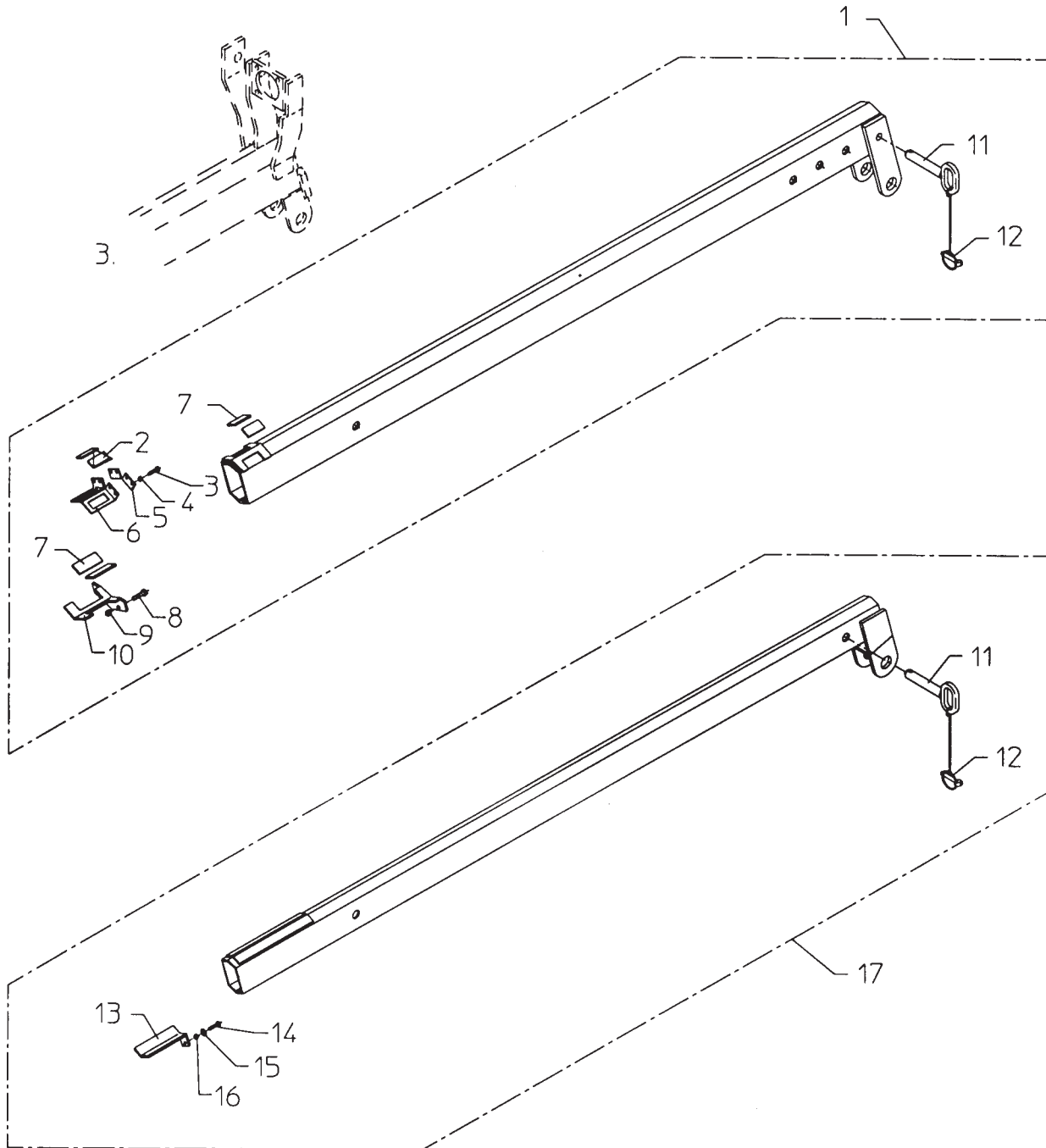
- |     |           |                         |   |     |           |                         |   |
|-----|-----------|-------------------------|---|-----|-----------|-------------------------|---|
| 1.  | 13 10 050 | MNL EXT (COMPL)147X80MM | 1 | 13. | 63 757    | SLIDE BLOCK             |   |
| 2.  | 63 756    | SLIDE BLOCK 4MM         |   | 14. | 66 090    | SPACER                  |   |
| 3.  | 30 112    | SET SCR M6X16           |   | 15. | 66 091    | BRACKET                 |   |
| 4.  | 31 154    | SPRING WASHER 6MM       |   | 16. | 63 755    | SLIDE BLOCK             |   |
| 5.  | 66 088    | SPACER                  |   | 17. | 12 91 663 | BRACKET                 |   |
| 6.  | 66 089    | BRACKET                 |   | 18. | 13 10 060 | MNL EXT (COMPL)124X60MM | 1 |
| 7.  | 63 754    | SLIDE BLOCK             |   | 19. | 12 93 574 | PIN                     |   |
| 8.  | 30 135    | SET SCR M8X30           |   | 20. | 66 093    | BRACKET                 |   |
| 9.  | 30 886    | LOCK NUT M8             |   | 21. | 30 114    | SET SCR M6X25           |   |
| 10. | 12 91 653 | BRACKET                 |   | 22. | 31 134    | WASHER 6MM              |   |
| 11. | 12 93 584 | PIN                     |   | 23. | 30 884    | LOCK NUT M6             |   |
| 12. | 33 387    | SPLIT RING              |   | 24. | 13 10 070 | MNL EXT (COMPL)101X45MM | 1 |





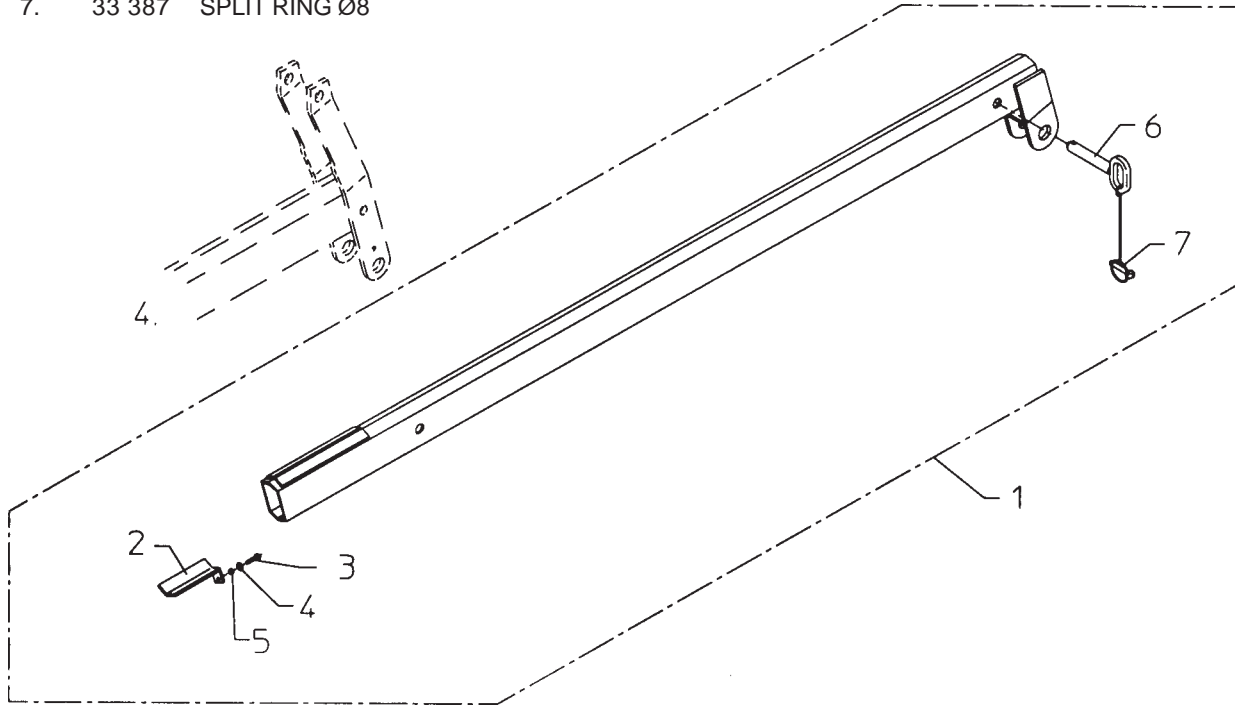
**MANUAL EXTENSIONS-3H**

- |    |           |                         |   |     |           |                         |   |
|----|-----------|-------------------------|---|-----|-----------|-------------------------|---|
| 1. | 13 10 060 | MNL EXT (COMPL)124X60MM | 1 | 10. | 12 91 663 | BRACKET                 |   |
| 2. | 63 757    | SLIDE BLOCK             |   | 11. | 12 93 574 | PIN                     |   |
| 3. | 30 112    | SET SCR M6X16           |   | 12. | 33 387    | SPLIT RING Ø8           |   |
| 4. | 31 154    | SPRING WASHER 6MM       |   | 13. | 66 093    | BRACKET                 |   |
| 5. | 66 090    | SPACER                  |   | 14. | 30 114    | SET SCR M6X25           |   |
| 6. | 66 091    | BRACKET                 |   | 15. | 31 134    | WASHER 6MM              |   |
| 7. | 63 755    | SLIDE BLOCK             |   | 16. | 30 884    | LOCK NUT M6             |   |
| 8. | 30 135    | SET SCR M8X30           |   | 17. | 13 10 070 | MNL EXT (COMPL)101X45MM | 1 |
| 9. | 30 886    | LOCK NUT M8             |   |     |           |                         |   |



**MANUAL EXTENSIONS-4H**

- 1. 13 10 070 MNL EXT (COMPL)101X45MM 1
- 2. 66 093 BRACKET
- 3. 30 114 SET SCR M6X25
- 4. 31 134 WASHER 6MM
- 5. 30 884 LOCK NUT M6
- 6. 12 93 574 PIN
- 7. 33 387 SPLIT RING Ø8

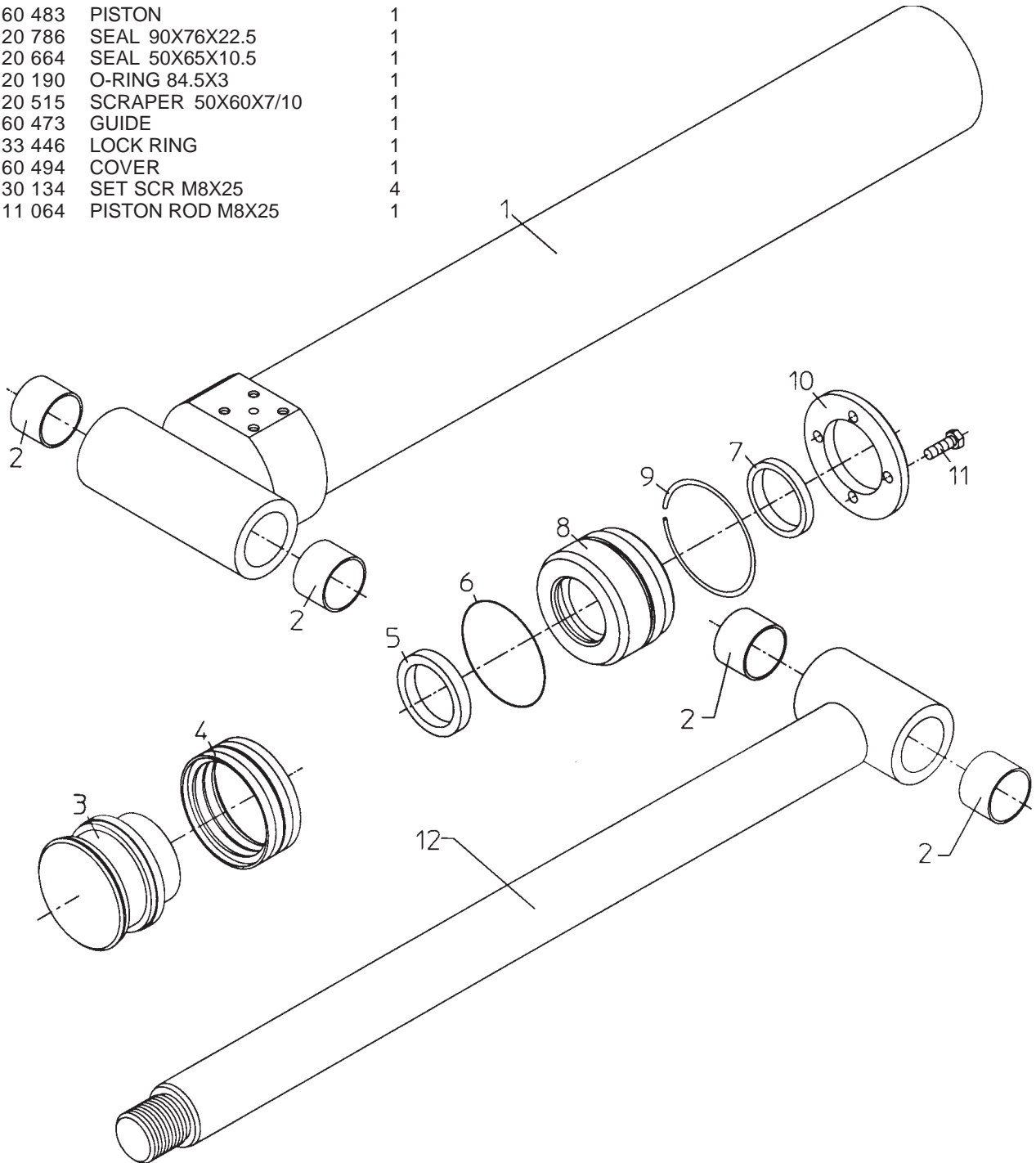


5/33: 450 03 010: 19990630

PARTS-19

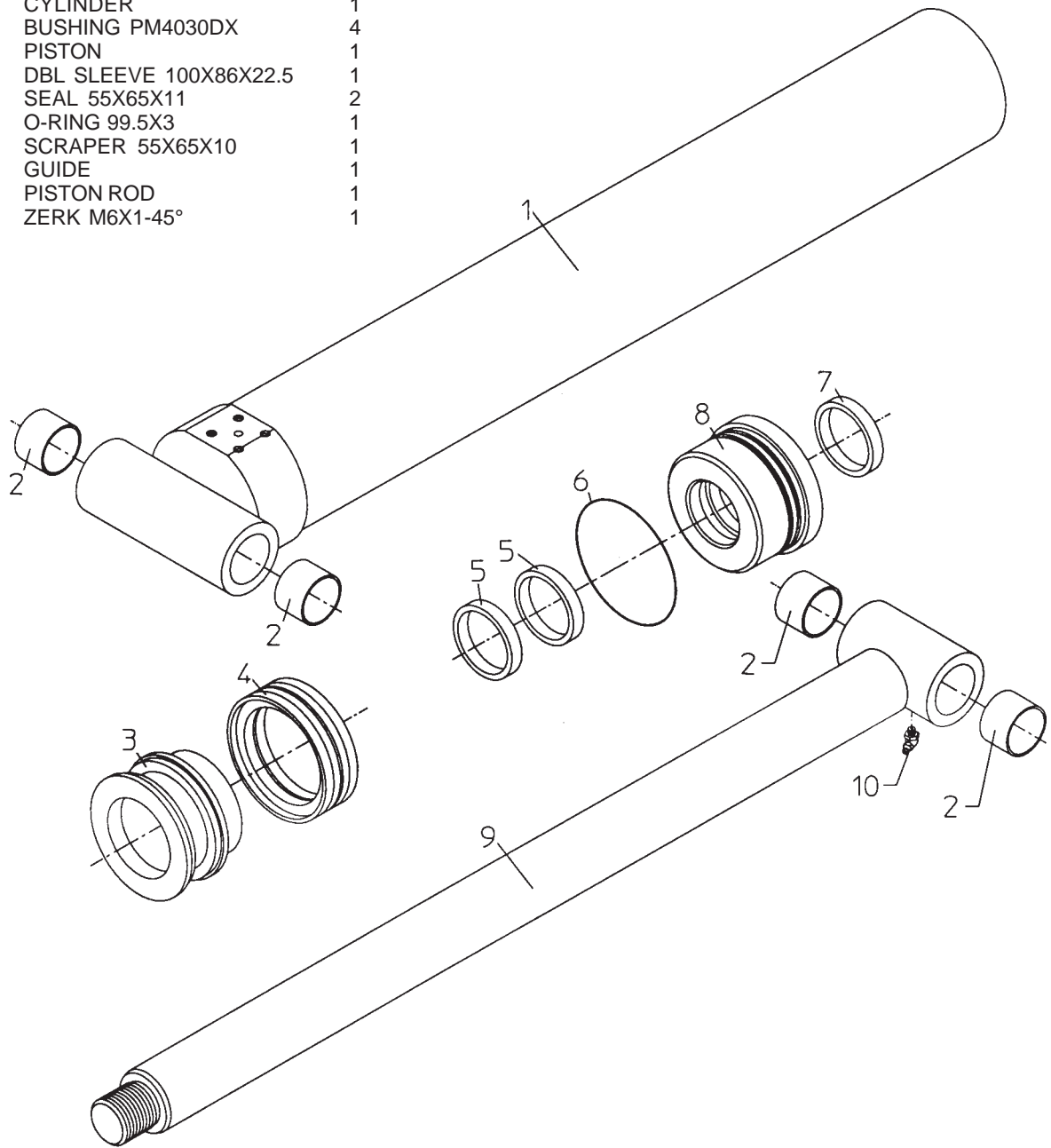
**INNER BOOM CYLINDER C90-600**

	13 11 103	BOOM CYLINDER	1
	68 93 300	SEAL KIT	1
1.	13 11 093	CYLINDER	1
2.	23 333	BUSHING PM4030DX	4
3.	12 60 483	PISTON	1
4.	20 786	SEAL 90X76X22.5	1
5.	20 664	SEAL 50X65X10.5	1
6.	20 190	O-RING 84.5X3	1
7.	20 515	SCRAPER 50X60X7/10	1
8.	12 60 473	GUIDE	1
9.	33 446	LOCK RING	1
10.	12 60 494	COVER	1
11.	30 134	SET SCR M8X25	4
12.	13 11 064	PISTON ROD M8X25	1



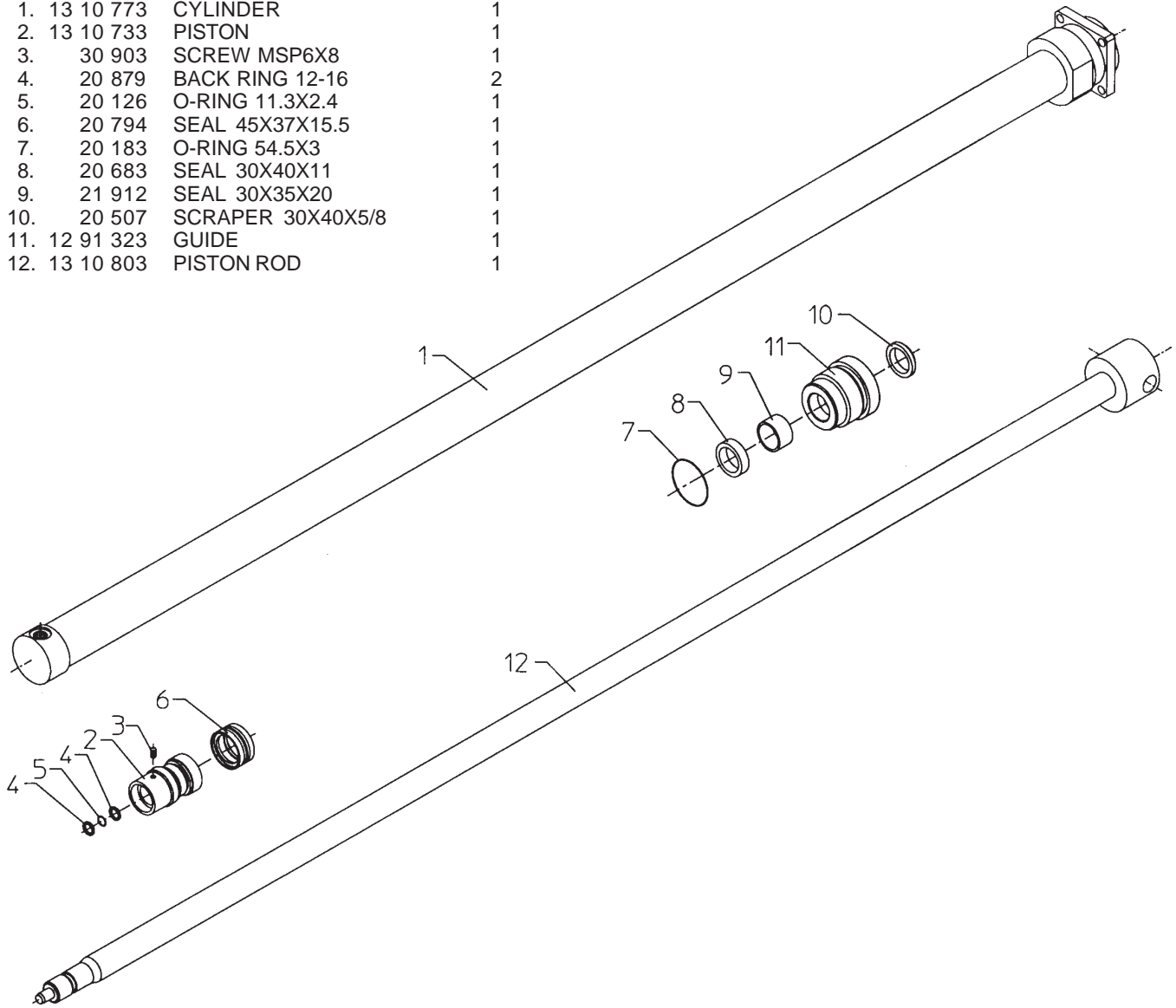
**OUTER (JIB) BOOM CYLINDER C100-705**

13 11 043	INNER CYLINDER	1
68 93 310	SEAL KIT (INCL:4-7)	1
1. 13 11 023	CYLINDER	1
2. 23 333	BUSHING PM4030DX	4
3. 13 01 303	PISTON	1
4. 20 790	DBL SLEEVE 100X86X22.5	1
5. 20 686	SEAL 55X65X11	2
6. 20 194	O-RING 99.5X3	1
7. 20 517	SCRAPER 55X65X10	1
8. 13 11 033	GUIDE	1
9. 13 10 994	PISTON ROD	1
10. 31 330	ZERK M6X1-45°	1



**EXTENSION CYLINDER C45-1485 (Ø30/Ø16)**

13 10 813	EXT CYLINDER	1
68 93 320	SEAL KIT (INCL:4-10)	1
1. 13 10 773	CYLINDER	1
2. 13 10 733	PISTON	1
3. 30 903	SCREW MSP6X8	1
4. 20 879	BACK RING 12-16	2
5. 20 126	O-RING 11.3X2.4	1
6. 20 794	SEAL 45X37X15.5	1
7. 20 183	O-RING 54.5X3	1
8. 20 683	SEAL 30X40X11	1
9. 21 912	SEAL 30X35X20	1
10. 20 507	SCRAPER 30X40X5/8	1
11. 12 91 323	GUIDE	1
12. 13 10 803	PISTON ROD	1

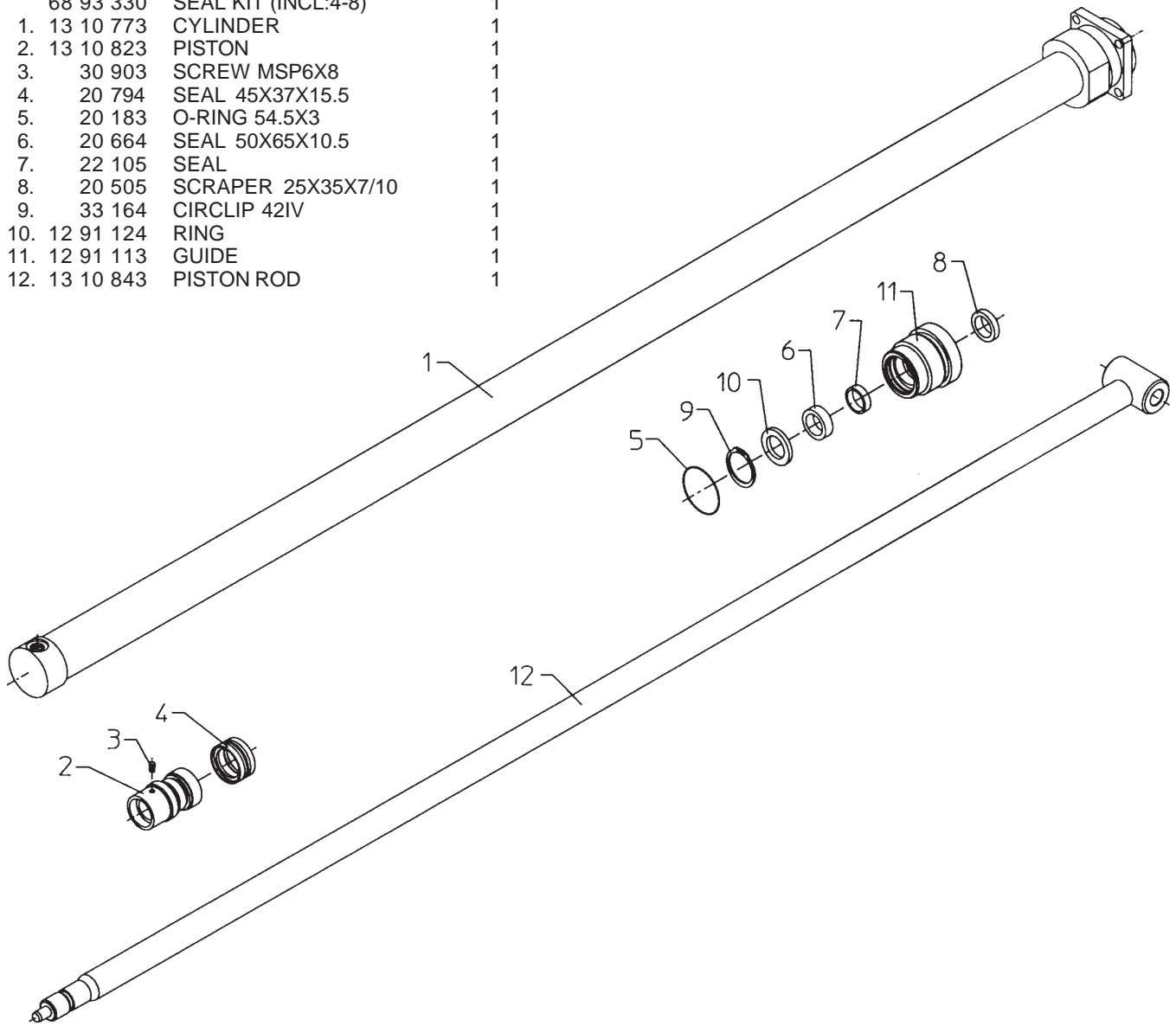


5/33: 450 03 110: 19990630

PARTS-22

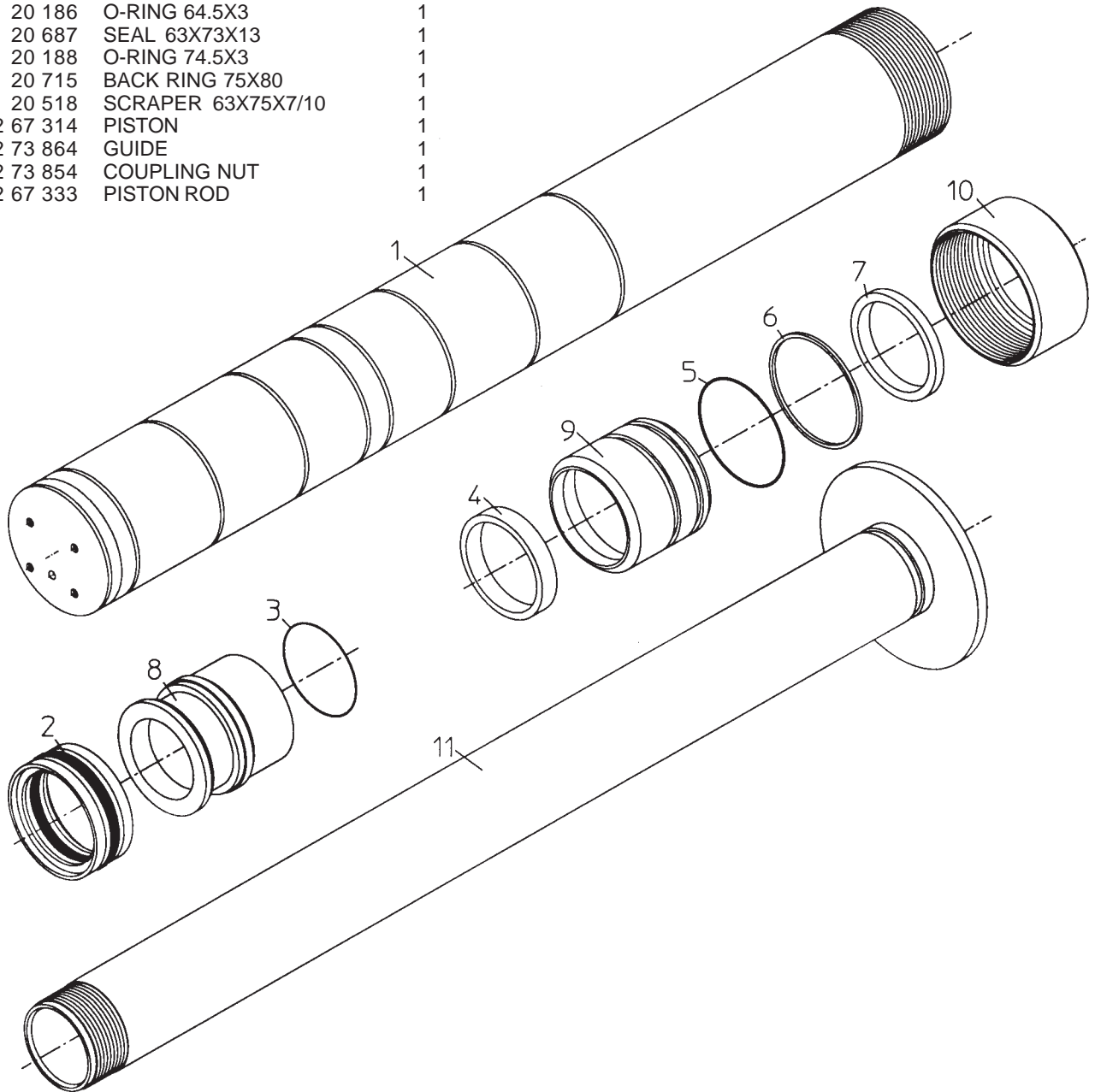
**EXTENSION CYLINDER C45-1485 (Ø25)**

13 10 853	EXT CYLINDER	1
68 93 330	SEAL KIT (INCL:4-8)	1
1. 13 10 773	CYLINDER	1
2. 13 10 823	PISTON	1
3. 30 903	SCREW MSP6X8	1
4. 20 794	SEAL 45X37X15.5	1
5. 20 183	O-RING 54.5X3	1
6. 20 664	SEAL 50X65X10.5	1
7. 22 105	SEAL	1
8. 20 505	SCRAPER 25X35X7/10	1
9. 33 164	CIRCLIP 42IV	1
10. 12 91 124	RING	1
11. 12 91 113	GUIDE	1
12. 13 10 843	PISTON ROD	1



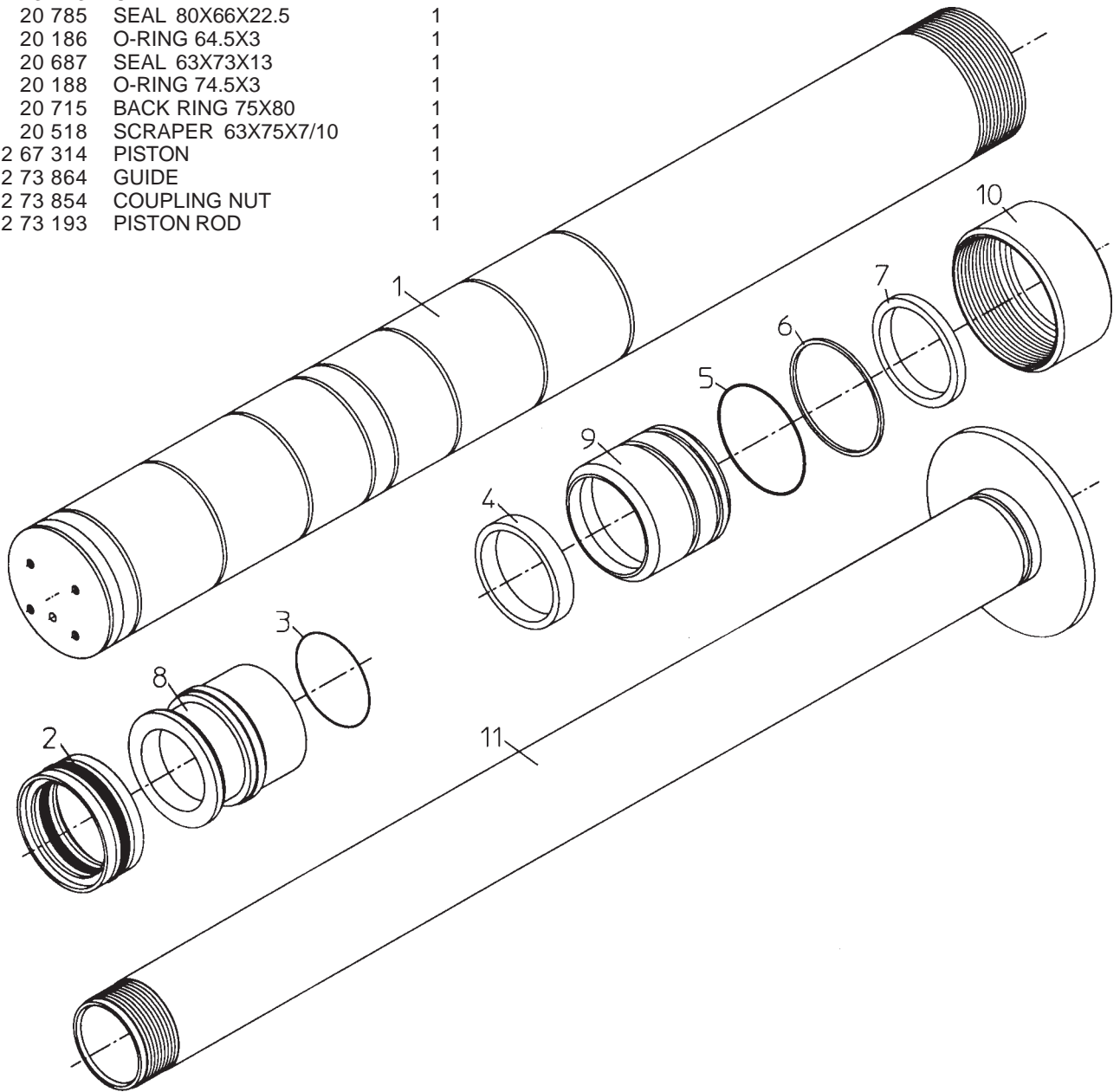
**STABILIZER CYLINDER C80-550**

	12 66 632	STABILIZER CYLINDER	1
	68 92 600	SEAL KIT (INCL:2-7)	1
1.	12 66 613	CYLINDER	1
2.	20 785	SEAL 80X66X22.5	1
3.	20 186	O-RING 64.5X3	1
4.	20 687	SEAL 63X73X13	1
5.	20 188	O-RING 74.5X3	1
6.	20 715	BACK RING 75X80	1
7.	20 518	SCRAPER 63X75X7/10	1
8.	12 67 314	PISTON	1
9.	12 73 864	GUIDE	1
10.	12 73 854	COUPLING NUT	1
11.	12 67 333	PISTON ROD	1



**STABILIZER CYLINDER C80-640**

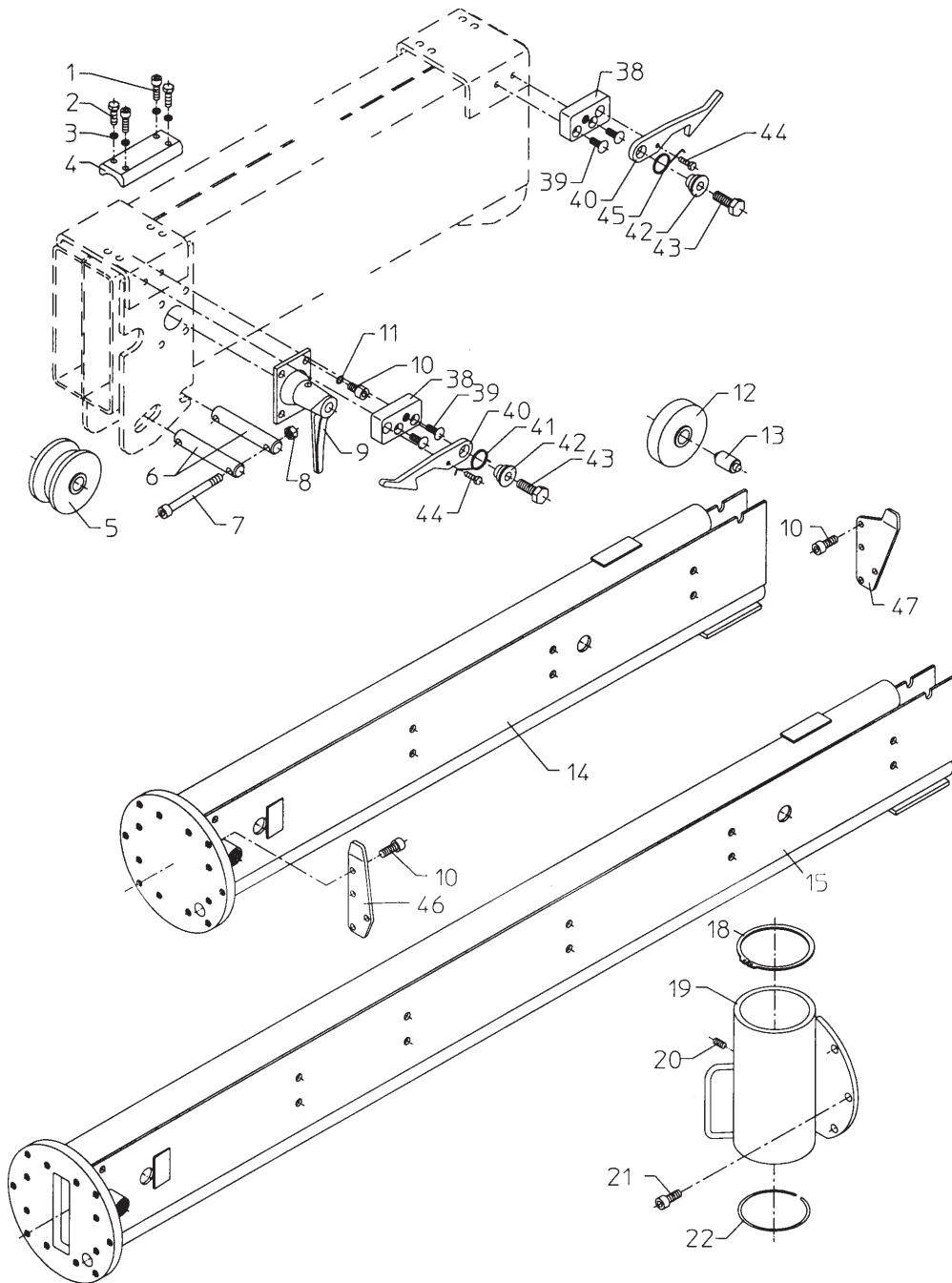
12 73 872	STABILIZER CYLINDER	1
68 92 600	SEAL KIT (INCL:2-7)	1
1. 12 73 213	CYLINDER	1
2. 20 785	SEAL 80X66X22.5	1
3. 20 186	O-RING 64.5X3	1
4. 20 687	SEAL 63X73X13	1
5. 20 188	O-RING 74.5X3	1
6. 20 715	BACK RING 75X80	1
7. 20 518	SCRAPER 63X75X7/10	1
8. 12 67 314	PISTON	1
9. 12 73 864	GUIDE	1
10. 12 73 854	COUPLING NUT	1
11. 12 73 193	PISTON ROD	1





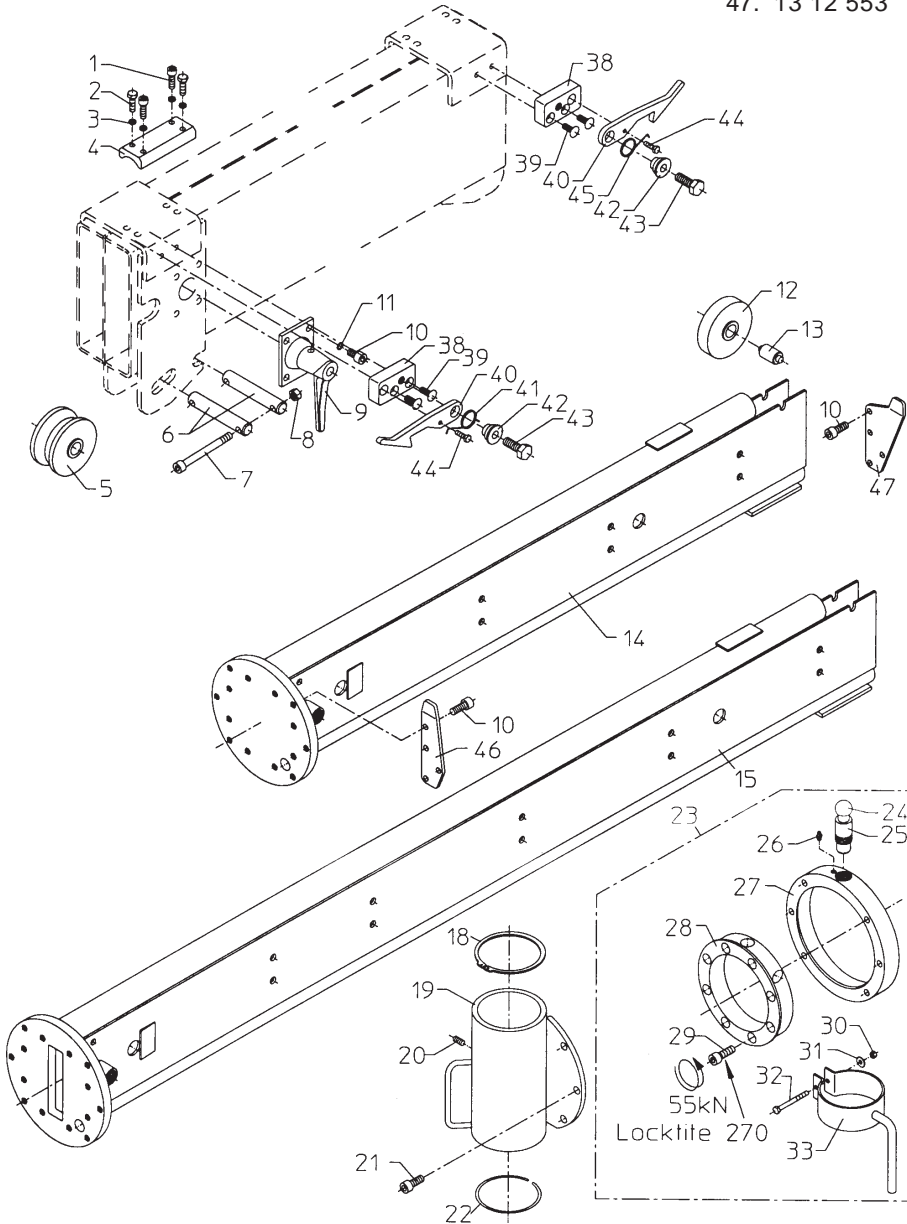
**STABILIZER ARM SV**

1.	30 440	SCREW MC8X25	2	18.	33 241	CIRCLIP 90U	2
2.	30 135	SET SCR M8X30	6	19.	12 92 923	HOUSING	2
3.	31 155	SPRING WASHER 8MM	8	20.	30 566	POINTING SCREW MSP8X16	2
4.	12 92 773	STOP	2	21.	30 453	SCREW MC10X25	12
5.	12 92 784	GUIDE ROLLER	2	22.	33 446	LOCK RING	2
6.	12 92 794	PIN	4	38.	13 12 543	BRACKET	2
7.	32 427	SCREW MC10X110	4	39.	30 583	SCREW MK8X25	4
8.	30 888	LOCK NUT M10	4	40.	62 45 244	HOOK	2
9.	66 61 734	LOCKING DEVICE	2	41.	33 474	SPRING	1
10.	30 964	SCREW MC10X16	12	42.	62 45 264	BUSHING	2
11.	31 156	SPRING WASHER 10MM	8	43.	30 178	SET SCR M12X35	2
12.	12 92 894	GUIDE ROLLER	2	44.	30 579	COUNTERSUNK SCR MK6X20	2
13.	12 92 904	PIN	2	45.	33 473	SPRING	1
14.	13 10 972	EXTENDABLE BEAM 620MM	2	46.	13 12 563	LOCK PLATE	1
15.	13 10 922	EXTENDABLE BEAM 1180MM	2	47.	13 12 553	LOCK PLATE	1



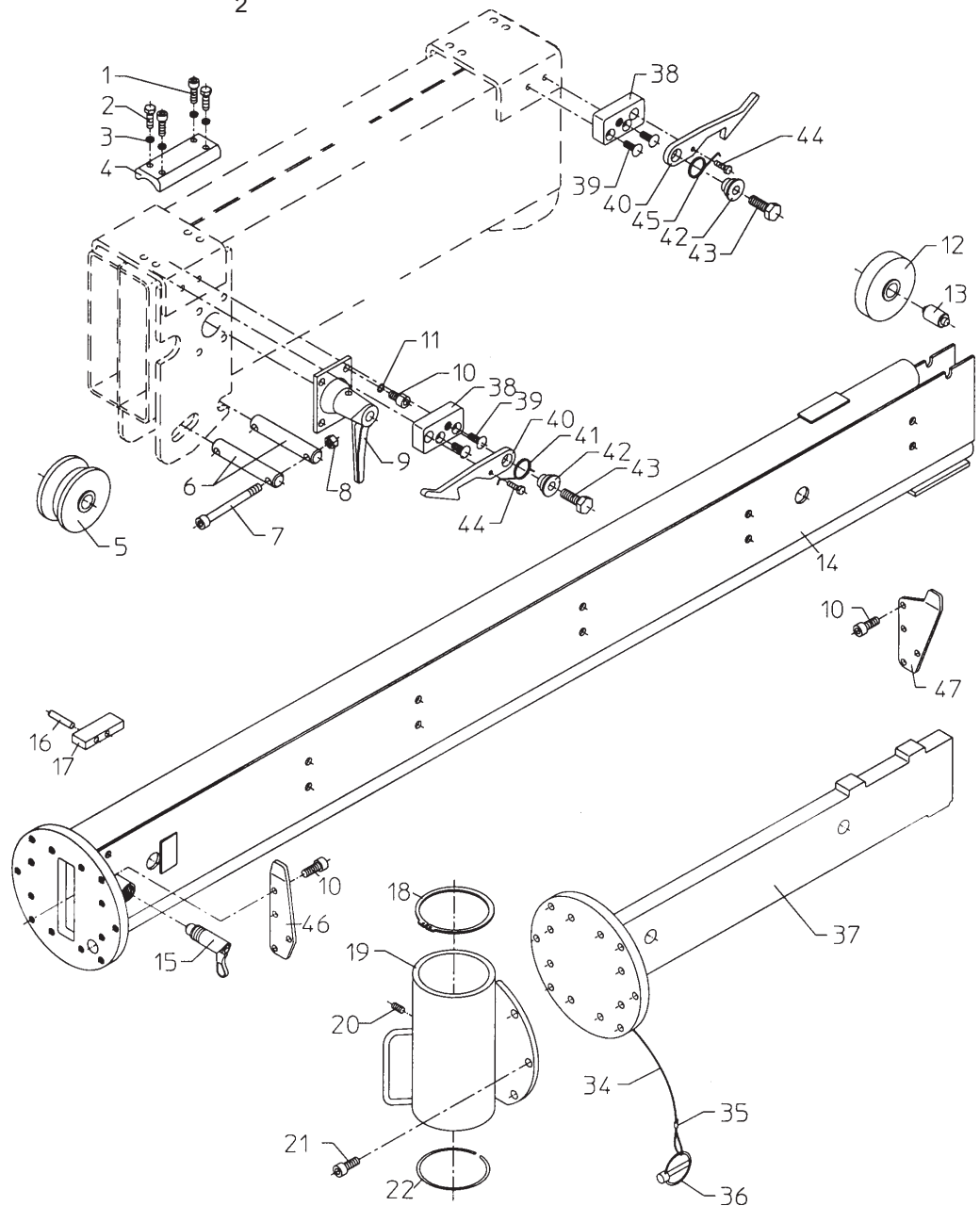
**STABILIZER ARM SR**

1.	30 440	SCREW MC8X25	2	23.	12 90 080	MOUNTING KIT	2
2.	30 135	SET SCR M8X30	6	24.	64 254	BALL-BLACK	
3.	31 155	SPRING WASHER 8MM	8	25.	12 66 814	PIN	
4.	12 92 773	STOP	2	26.	31 329	ZERK M6X1-0	
5.	12 92 784	GUIDE ROLLER	2	27.	12 93 023	DISC	
6.	12 92 794	PIN	4	28.	12 93 033	DISC	
7.	32 427	SCREW MC10X110	4	29.	30 455	SCREW MC10X30	
8.	30 888	LOCK NUT M10	4	30.	30 884	LOCK NUT M6	
9.	66 61 734	LOCKING DEVICE	2	31.	31 134	WASHER 6MM	
10.	30 964	SCREW MC10X16	12	32.	30 120	STEEL BOLT M6X60	
11.	31 156	SPRING WASHER 10MM	8	33.	12 66 903	CLIP	
12.	12 92 894	GUIDE ROLLER	2	38.	13 12 543	BRACKET	2
13.	12 92 904	PIN	2	39.	30 583	SCREW MK8X25	4
14.	13 10 972	EXTENDABLE BEAM 620MM	2	40.	62 45 244	HOOK	2
15.	13 10 922	EXTENDABLE BEAM 1180MM	2	41.	33 474	SPRING	1
18.	33 241	CIRCLIP 90U	2	42.	62 45 264	BUSHING	2
19.	12 92 923	HOUSING	2	43.	30 178	SET SCR M12X35	2
20.	30 566	POINTING SCREW MSP8X16	2	44.	30 579	COUNTERSUNK SCR MK6X20	2
21.	30 453	SCREW MC10X25	12	45.	33 473	SPRING	1
22.	33 446	LOCK RING	2	46.	13 12 563	LOCK PLATE	1
				47.	13 12 553	LOCK PLATE	1



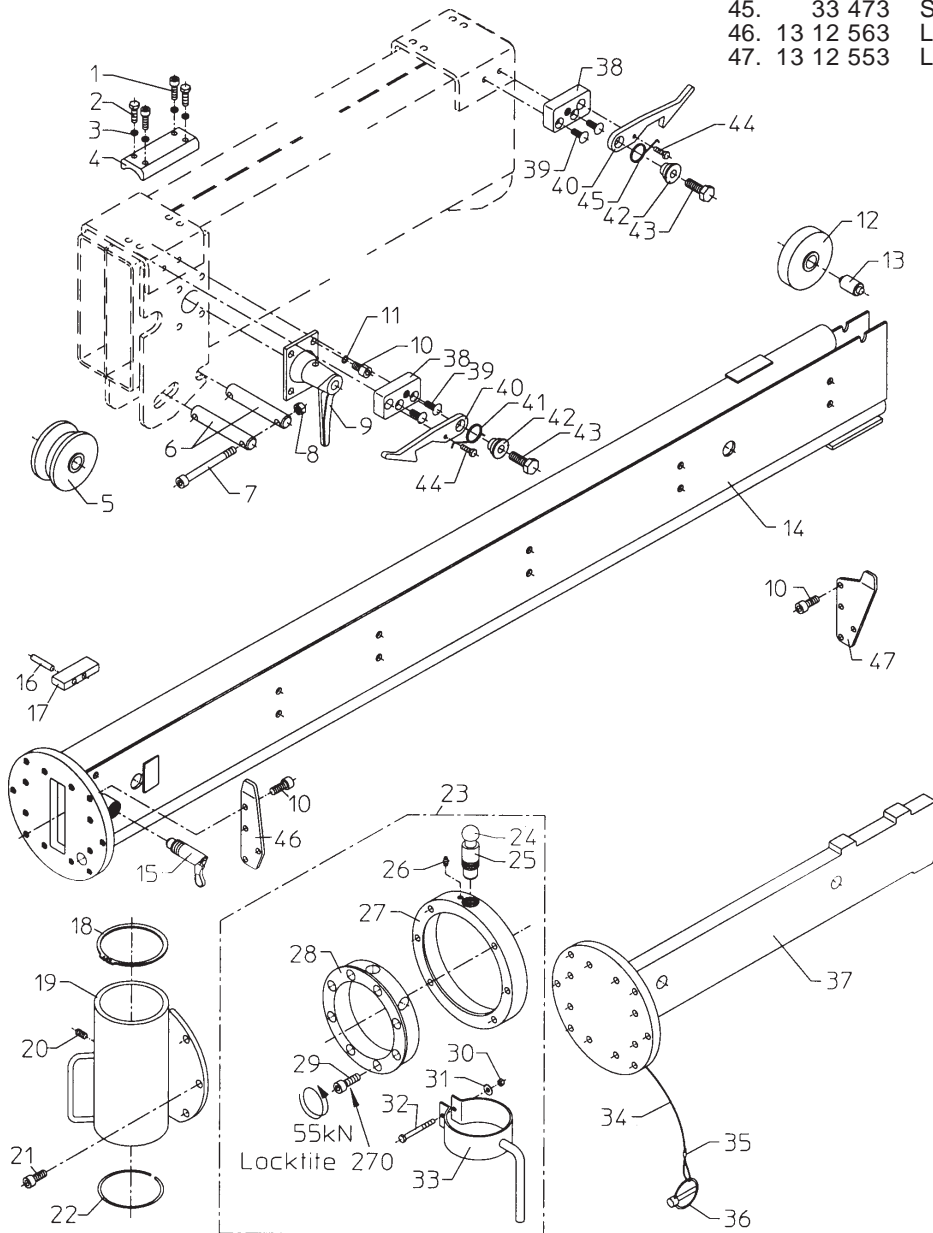
**STABILIZER ARM DV**

1.	30 440	SCREW MC8X25	2	20.	30 566	POINTING SCREW MSP8X16	2
2.	30 135	SET SCR M8X30	6	21.	30 453	SCREW MC10X25	12
3.	31 155	SPRING WASHER 8MM	8	22.	33 446	LOCK RING	2
4.	12 92 773	STOP	2	34.	62 160	WIRE	
5.	12 92 784	GUIDE ROLLER	2	35.	62 161	WIRE LOCK	
6.	12 92 794	PIN	4	36.	33 385	SPLIT RINGØ4	
7.	32 427	SCREW MC10X110	4	37.	13 01 813	EXTENDABLE BEAM	2
8.	30 888	LOCK NUT M10	4	38.	13 12 543	BRACKET	2
9.	66 61 734	LOCKING DEVICE	2	39.	30 583	SCREW MK8X25	4
10.	30 964	SCREW MC10X16	12	40.	62 45 244	HOOK	2
11.	31 156	SPRING WASHER 10MM	8	41.	33 474	SPRING	1
12.	12 92 894	GUIDE ROLLER	2	42.	62 45 264	BUSHING	2
13.	12 92 904	PIN	2	43.	30 178	SET SCR M12X35	2
14.	13 10 922	EXTENDABLE BEAM 1180MM	2	44.	30 579	COUNTERSUNK SCR MK6X20	2
15.	12 00 624	BOLT	2	45.	33 473	SPRING	1
16.	31 217	RETAINING PIN ØX40	4	46.	13 12 563	LOCK PLATE	1
17.	12 93 044	STOP	2	47.	13 12 553	LOCK PLATE	1
18.	33 241	CIRCLIP 90U	2				
19.	12 92 923	HOUSING	2				



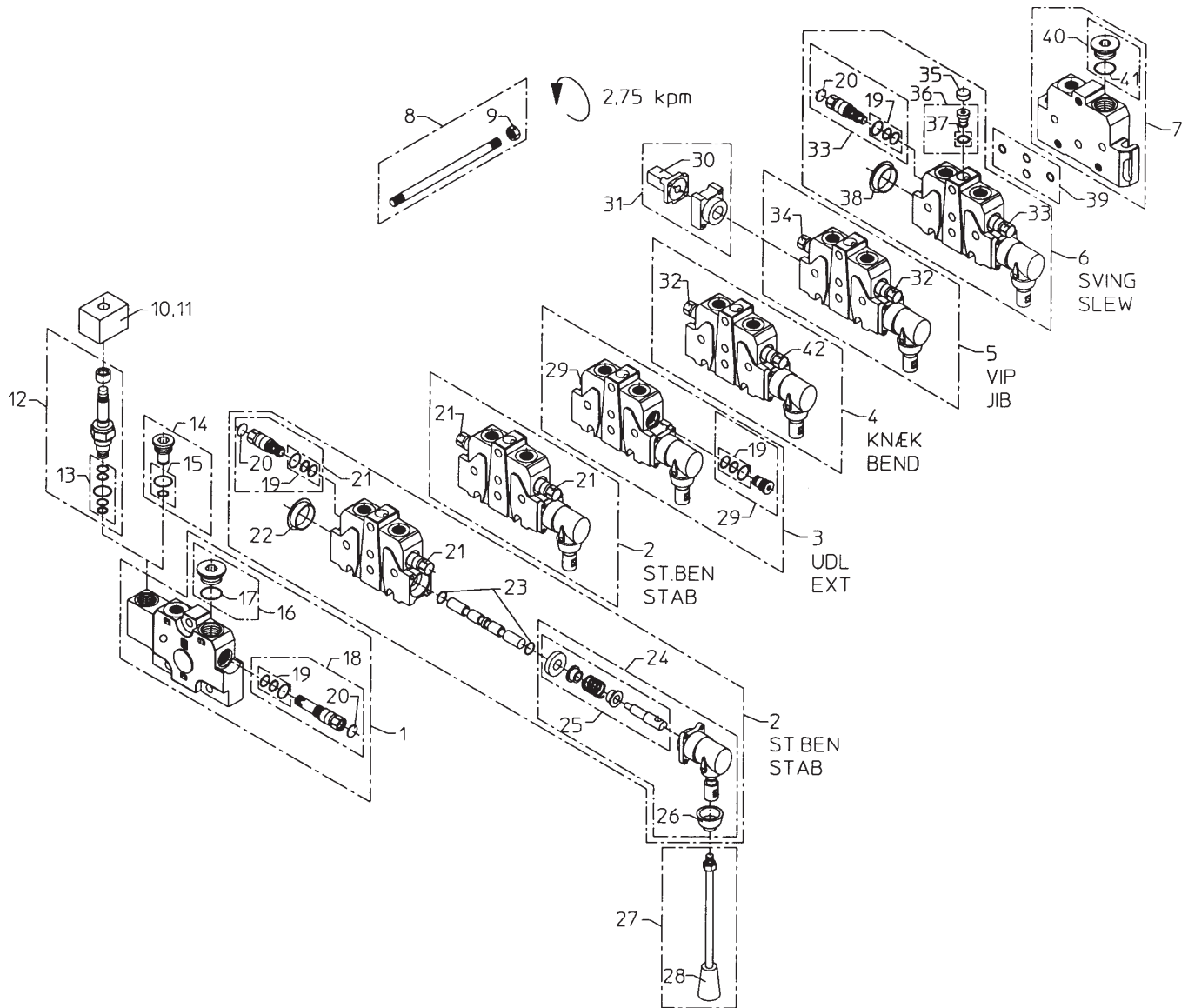
**STABILIZER ARM DR**

1.	30 440	SCREW MC8X25	2	23.	12 90 080	MOUNTING KIT	2
2.	30 135	SET SCR M8X30	5	24.	64 254	BALL-BLACK	
3.	31 155	SPRING WASHER 8MM	8	25.	12 66 814	PIN	
4.	12 92 773	STOP	2	26.	31 329	ZERK M6X1-0	
5.	12 92 784	GUIDE ROLLER	2	27.	12 93 023	DISC	
6.	12 92 794	PIN	4	28.	12 93 033	DISC	
7.	32 427	SCREW MC10X110	4	29.	30 455	SCREW MC10X30	
8.	30 888	LOCK NUT M10	4	30.	30 884	LOCK NUT M6	
9.	66 61 734	LOCKING DEVICE	2	31.	31 134	WASHER 6MM	
10.	30 964	SCREW MC10X16	12	32.	30 120	STEEL BOLT M6X60	
11.	31 156	SPRING WASHER 10MM	8	33.	12 66 903	CLIP	
12.	12 92 894	GUIDE ROLLER	2	34.	62 160	WIRE	
13.	12 92 904	PIN	2	35.	62 161	WIRE LOCK	
14.	13 10 922	EXTENDABLE BEAM 1180MM	2	36.	33 385	SPLIT RINGØ4	
15.	12 00 624	BOLT	2	37.	13 01 813	EXTENDABLE BEAM	2
16.	31 217	RETAINING PIN ØX40	4	38.	13 12 543	BRACKET	2
17.	12 93 044	STOP	2	39.	30 583	SCREW MK8X25	4
18.	33 241	CIRCLIP 90U	2	40.	62 45 244	HOOK	2
19.	12 92 923	HOUSING	2	41.	33 474	SPRING	1
20.	30 566	POINTING SCREW MSP8X16	2	42.	62 45 264	BUSHING	2
21.	30 453	SCREW MC10X25	12	43.	30 178	SET SCR M12X35	2
22.	33 446	LOCK RING	2	44.	30 579	COUNTERSUNK SCR MK6X20	2
				45.	33 473	SPRING	1
				46.	13 12 563	LOCK PLATE	1
				47.	13 12 553	LOCK PLATE	1



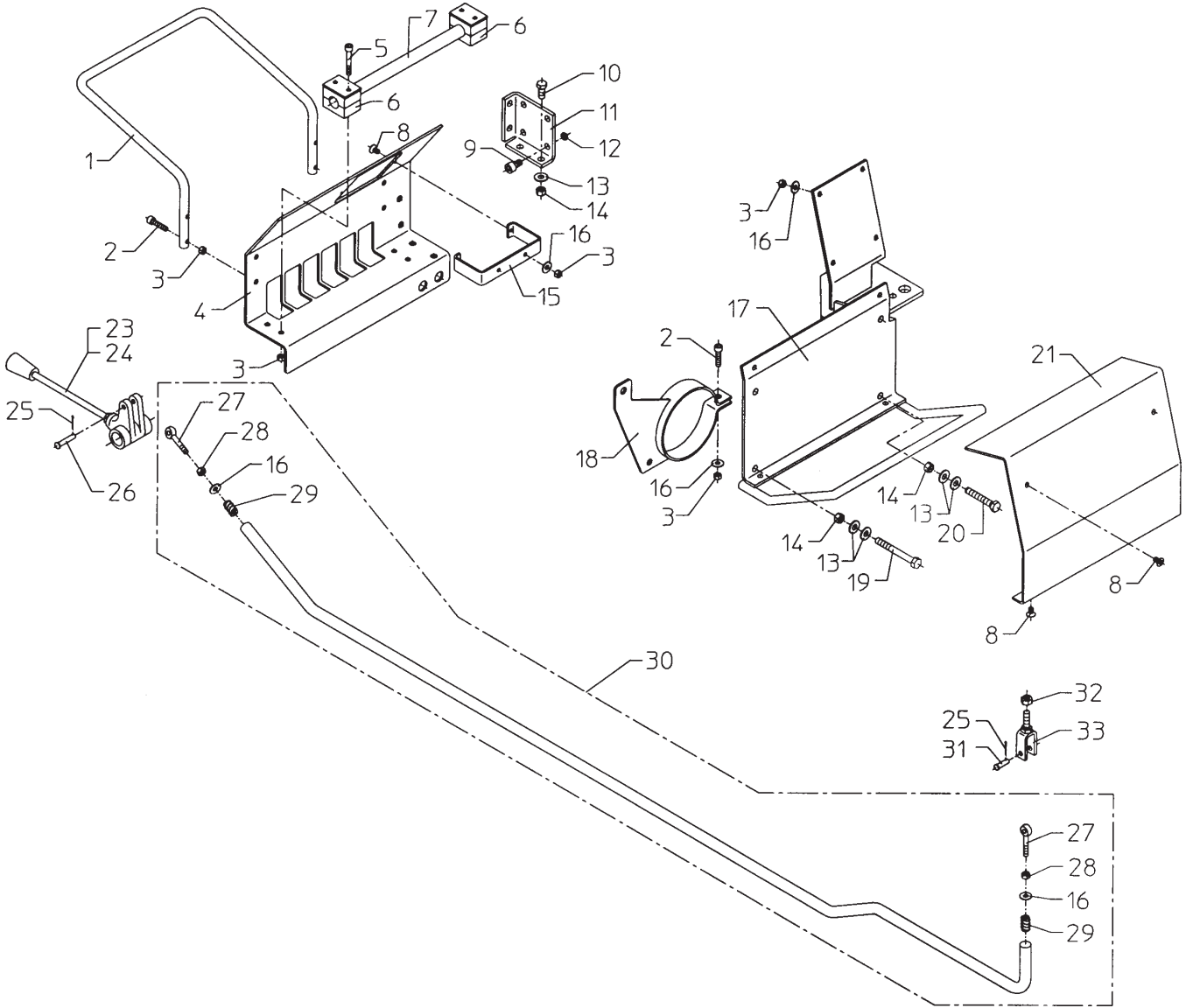
**VALVE GROUP-RS150**

	59 577	VALVE BLOCK (COMPLETE)	1		21.	59 249	PORT RELIEF VALVE(TBS175)
	59 576	VALVE BLOCK (COMPLETE)	1		22.	59 221	DUST CAP
1.	59 150	INLET SECTION			23.	59 230	SEAL KIT
2.	59 149	CTRL VALVE EXCL LEVER(1H)			24.	59 225	BRACKET
3.	59 148	CTRL VALVE EXCL LEVER(4H)			25.	59 227	SPRING KIT
4.	59 147	CTRL VALVE EXCL LEVER(1H-01)			26.	59 226	RUBBER BELLOWS
5.	59 146	CTRL VALVE EXCL LEVER(1H-01)			27.	59 223	LEVER
6.	59 145	CTRL VALVE EXCL LEVER(1HS)			28.	59 224	BALL
7.	59 144	OUTLET SECTION			29.	59 234	PLUG
8.	59 235	STAY BOLT (6 SECT)			30	59 243	REPAIR KIT
9.	30 888	LOCK NUT M10			31.	59 240	SPOOL SENSOR (COMPLETE)
10.	61 777	SOLENOID 12V			32.	59 248	PORT RELIEF VALVE(TB265)
11.	61 778	SOLENOID 26V			33.	59 246	RELIEF & ANTI-CAV VALVE(TBS150)
12.	61 776	CARTRIDGE			34.	59 247	RELIEF & ANTI-CAV VALVE(TBS100)
13.	61 779	SEAL KIT			35.	61 688	PLUG
14.	61 780	PLUG			36.	61 480	CHECK VALVE
15.	61 781	SEAL KIT			37.	59 231	SEAL KIT
16.	61 366	PLUG 1/2"BSP			38.	59 222	DUST CAP
17.	20 129	O-RING 17.3X2.4			39.	59 229	SEAL KIT
18.	59 250	MAIN RELIEF VALVE			40.	59 232	PLUG 3/8"
19.	59 228	SEAL KIT			41.	59 233	SEAL
20.	61 786	WASHER			42.	59 211	RELIEF & ANTI-CAV VALVE(TBS200)



**VALVE BRACKET & DUAL CONTROL-RS150**

1.	13 12 394	SAFETY GUARD	1	17.	13 11 763	VALVE BRACKET	1
2.	30 962	STEEL BOLT MC6X25	5	18.	13 12 273	BRACKET	1
3.	30 884	LOCK NUT M6	15	19.	30 142	STEEL BOLT M8X70	2
4.	66 127	PROTECTIVE PLATE	1	20.	30 139	STEEL BOLT M8X50	1
5.	32 414	STEEL BOLT MC6X40	4	21.	66 128	PROTECTIVE PLATE	1
6.	31 428	CLAMP	2	23.	13 12 414	LEVER	4
7.	66 60 954	PIN (5 LEVER)	1	24.	13 12 504	LEVER	2
8.	30 997	SCREW M6X10	6	25.	31 601	SLIT RING	12
9.	32 415	STEEL BOLT MC8X14	4	26.	31 274	COTTER BOLT	6
10.	30 131	SET SCR M8X16	4	27.	32 114	PIN ØX30	6
11.	66 097	BRACKET	1	28.	30 854	NUT M6	
12.	31 155	SPRING WASHER 8MM	4	29.	32 113	THREADED BUSHING	
13.	31 136	WASHER 8MM	10	30.	13 12 363	CONNECTING ROD	6
14.	30 886	LOCK NUT M8	7	31.	31 271	COTTER BOLT Ø6X20	6
15.	66 098	CLAMP	1	32.	30 856	NUT M8	6
				33.	12 93 324	CLEVIS	6

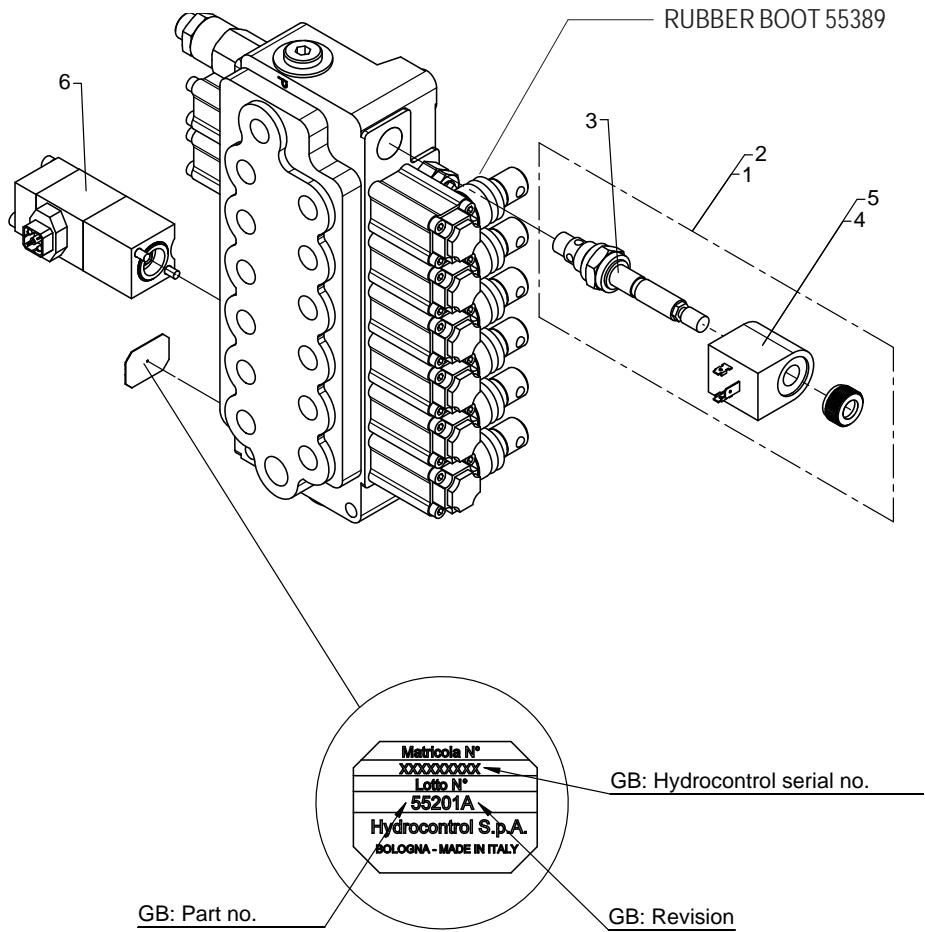


5/33: 082 05 011: 20100216

PARTS-31

**CONTROL VALVE, M50**

	55 217	CONTROLVALVE	1
	55 218	CONTROLVALVE	1
1.	55 348	DUMP VALVE, 12V	1
2.	55 347	DUMP VALVE, 26V	1
3.	55 346	CARTRIDGE	1
4.	55 344	SOLENOID, 12V	1
5.	55 346	SOLENOID, 26V	1
6.	55 250	SPOOL SENSOR	1



GB: With regard to other spare parts please see drawing no. 6650083

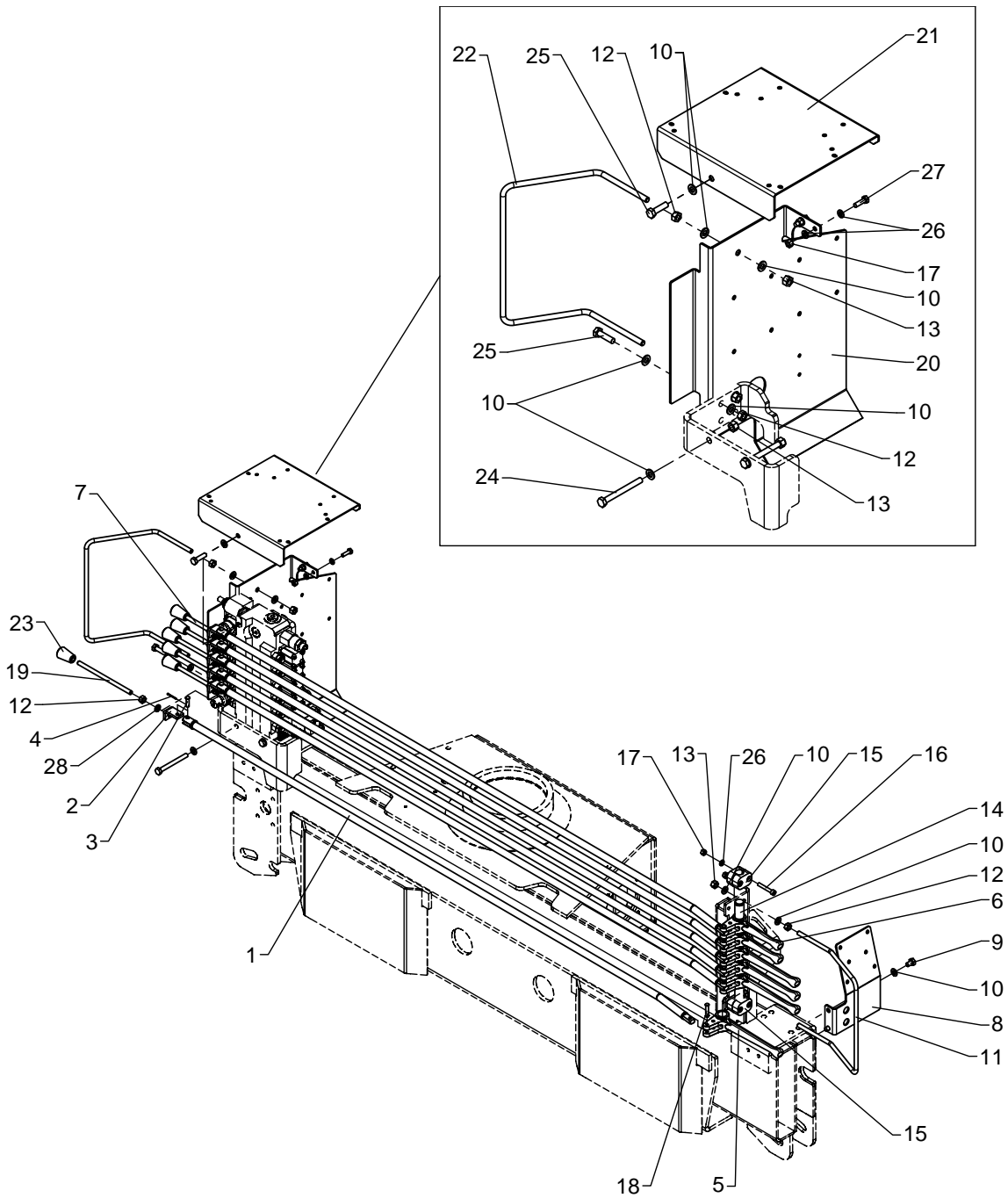
5/33: 082 05 101: 20090601

**VALVE BRACKET AND DUAL CONTROL M50**

1.	1297853	CONNECTING ROD	6
2.	1297904	FITTINGS, CONNECTING ROD	6
3.	31271	COTTER BOLT Ø6 X 21	6
4.	31601	SPLIT PIN, STAINLESS Ø1,6 X 20	6
5.	63444	LEVER FOR DUAL CONTROLS	4
6.	63446	LEVER FOR DUAL CONTROLS	2
7.	1320252	CONTROL LEVER, SHORT, STRAIGHT	2
8.	1297933	BRACKET FOR STOP BUTTON	1
9.	30130	SET SCREW, STAINLESS M8 X 12	2
10.	31147	WASHER, STAINLESS 8MM	15
11.	1297923	SAFETY GUARD, CTRL LEVER	1
12.	30856	NUT, STAINLESS	11
13.	30886	LOCK NUT, STAINLESS M8	6
14.	6660954	PIN FOR 5 LEVERS	1

**PARTS-32**

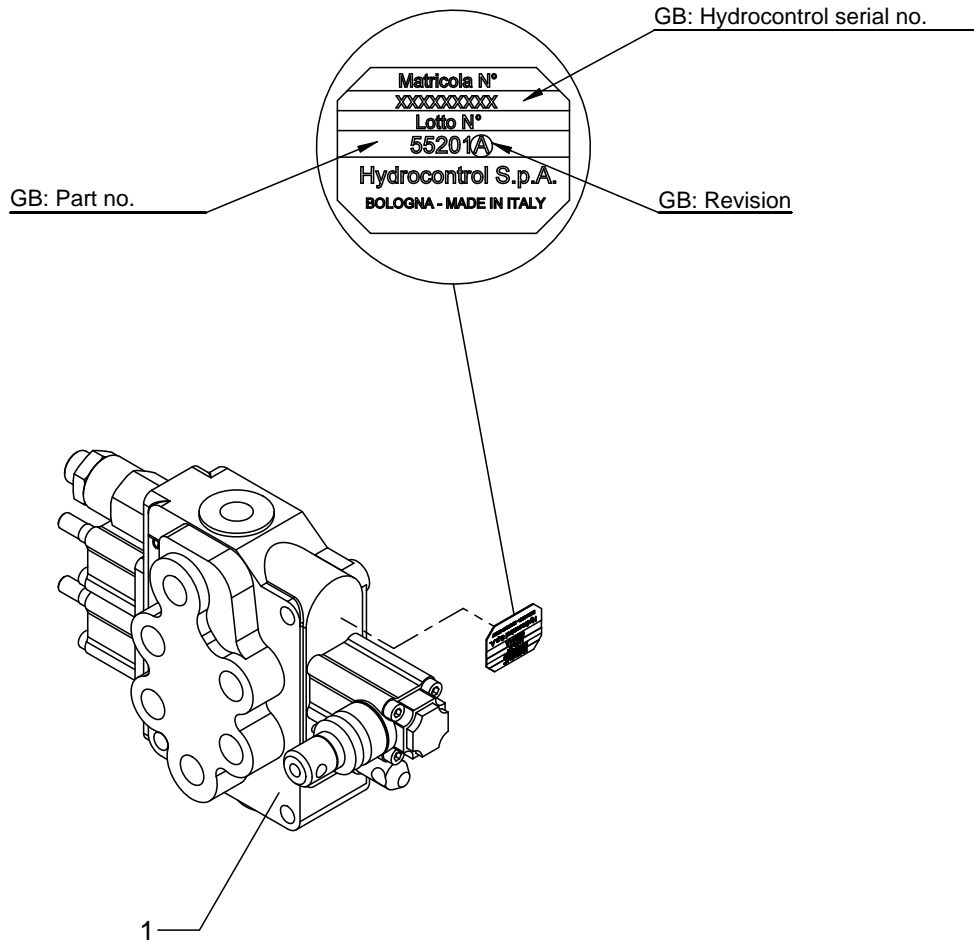
15.	31428	CLAMP	2
16.	32414	SCREW MC6 X 40	4
17.	30884	LOCK NUT, STAINLESS M6	6
18.	63468	PLIT PIN WITH SPRING LOCK	6
19.	1320253	CONTROL LEVER, LONG, STRAIGHT	4
20.	1297873	PROTECTION PLATE	1
21.	1297883	PROTECTION PLATE	1
22.	1297913	SAFETY GUARD, CTRL LEVER	1
23.	59224	KNOB FOR LEVER	6
24.	30143	STEEL BOLT, STAINLESS M8 X 80	2
25.	30135	SET SCREW, STAINLESS M8 X 30	2
26.	32302	FACE WASHER, STAINLESS 6MM	8
27.	30113	SET SCREW, STAINLESS M6 X 20	2
28.	31155	SPRING WASHER 8MM	6





**VALVE BLOCK FOR SERIAL CONNECTION**

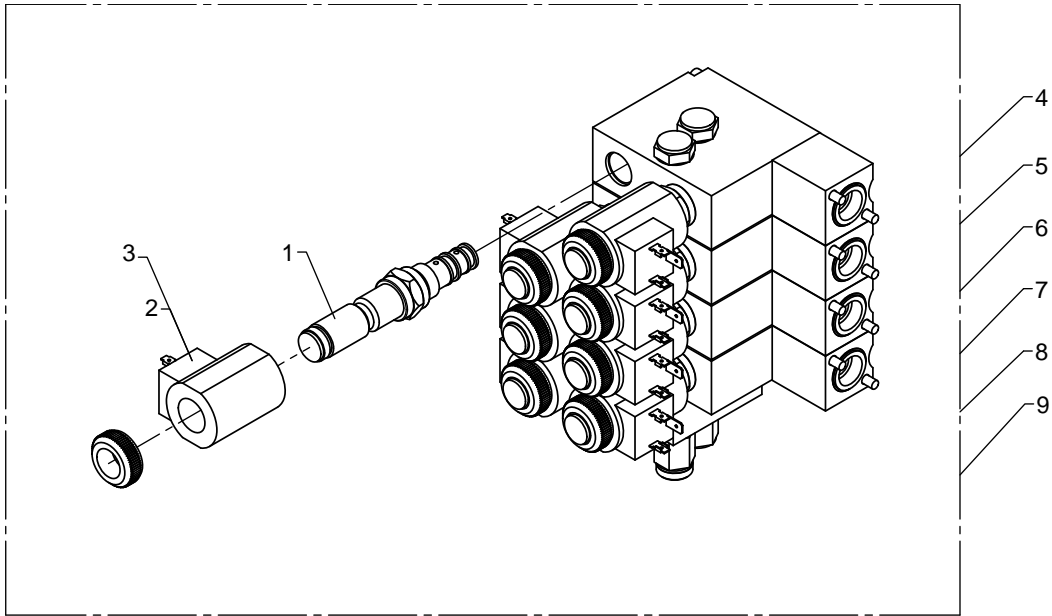
1. 55 202 STABLIZER CONTROL VALVE 1



GB: With regard to other spare parts please see drawing no. 6650123

**ELECTRO-HYDRAULIC NEM-KIT, NEM RADIO REMOTE CONTROL**

- 1. 55 320 CARTRIDGE
- 2. 55 323 SOLENOID, 12V
- 3. 55 321 SOLENOID, 24V
- 4. 55 352 ELECTRO-HYDRAULIC NEM-KIT  
4 X 12V
- 5. 55 351 ELECTRO-HYDRAULIC NEM-KIT  
4 X 24V
- 6. 55 354 ELECTRO-HYDRAULIC NEM-KIT  
5 X 12V
- 7. 55 353 ELECTRO-HYDRAULIC NEM-KIT  
5 X 24V
- 8. 55 356 ELECTRO-HYDRAULIC NEM-KIT  
6 X 12V
- 9. 55 355 ELECTRO-HYDRAULIC NEM-KIT  
6 X 24V



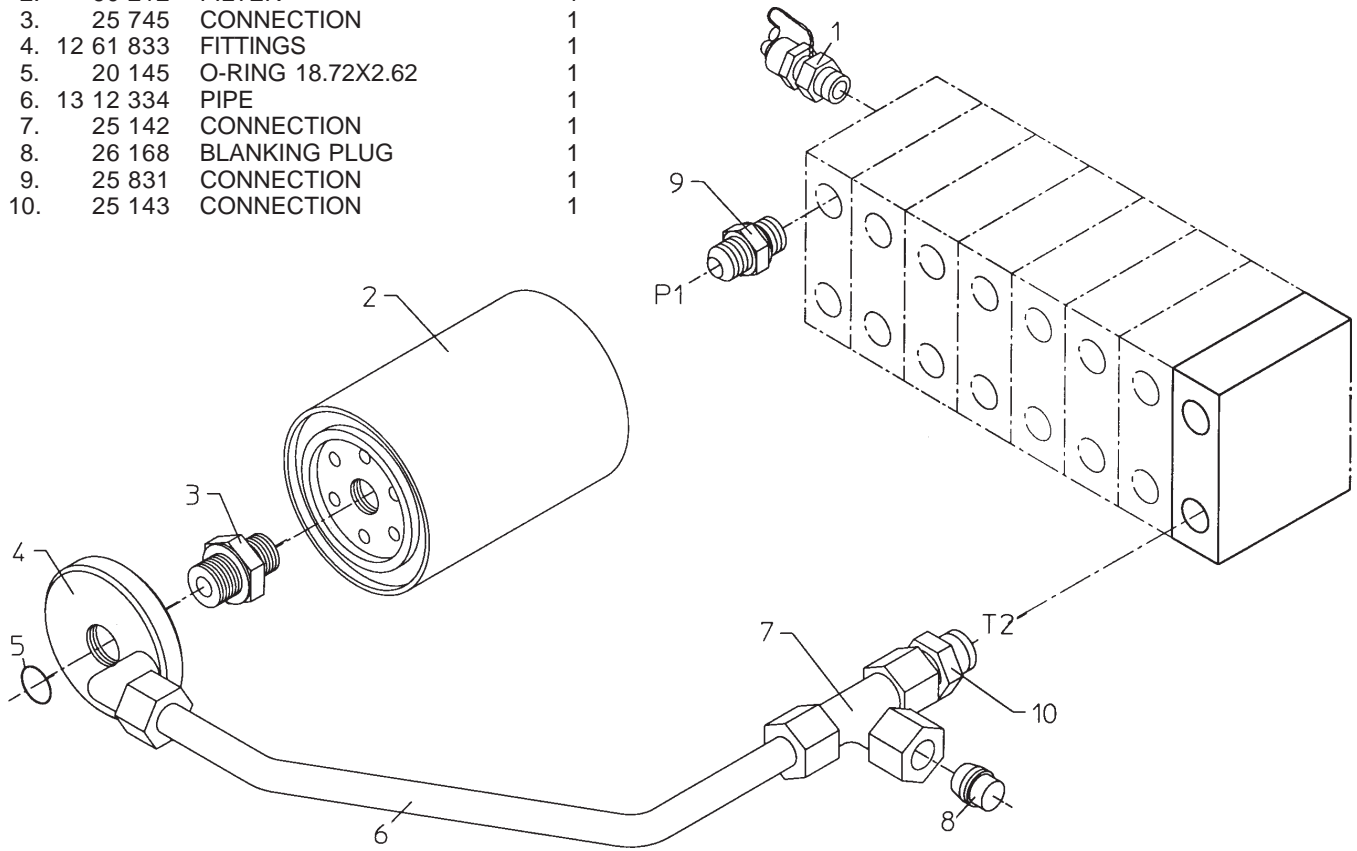
GB: With regard to other spare parts please see to drawing no. 6650103

5/33: 450 05 150: 19990630

PARTS-35

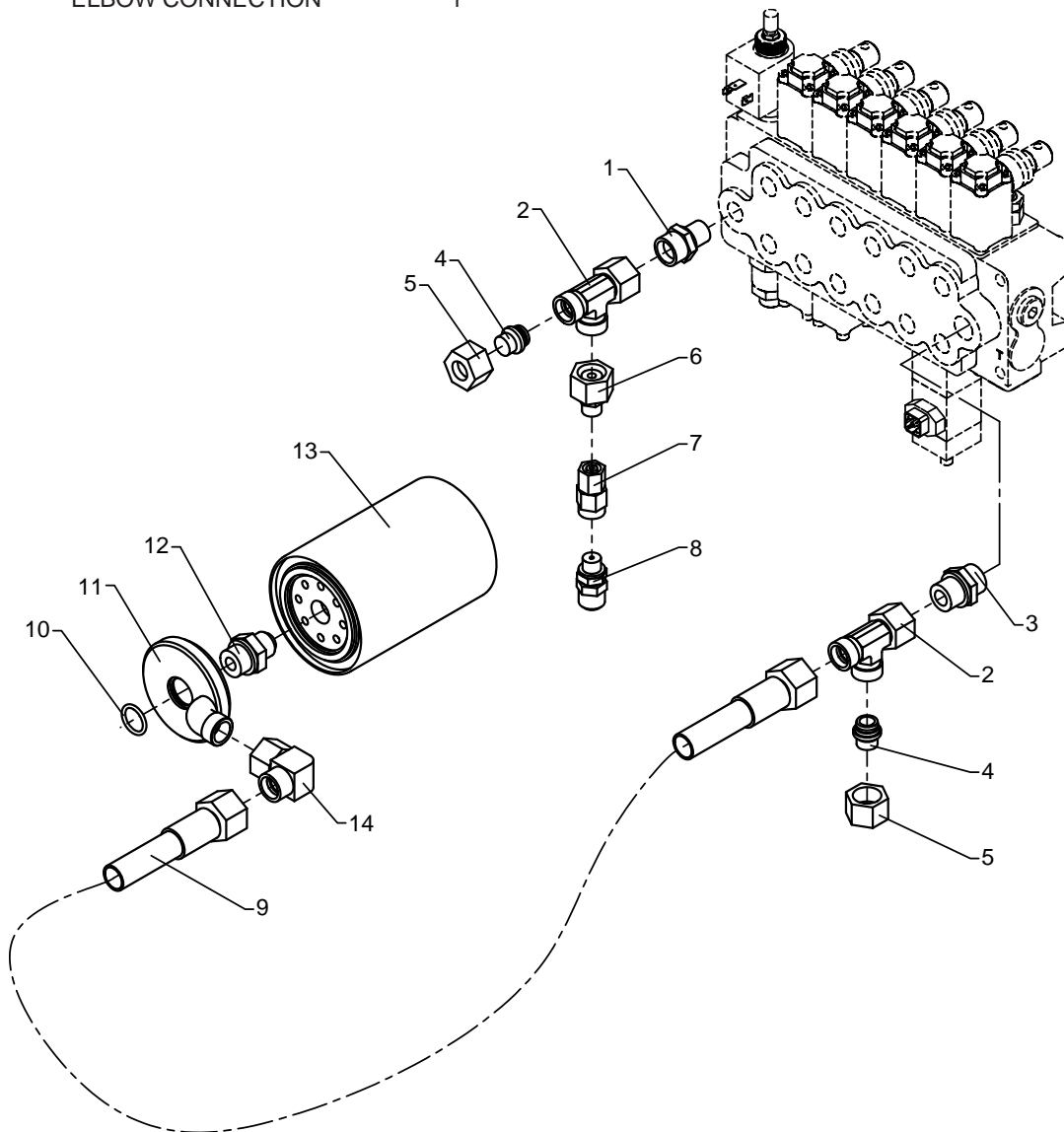
**HYDRAULIC SYSTEM-PUMP & TANK-RS150**

1.	26 103	PRESSURE GAUGE CONN.	1
2.	60 212	FILTER	1
3.	25 745	CONNECTION	1
4.	12 61 833	FITTINGS	1
5.	20 145	O-RING 18.72X2.62	1
6.	13 12 334	PIPE	1
7.	25 142	CONNECTION	1
8.	26 168	BLANKING PLUG	1
9.	25 831	CONNECTION	1
10.	25 143	CONNECTION	1



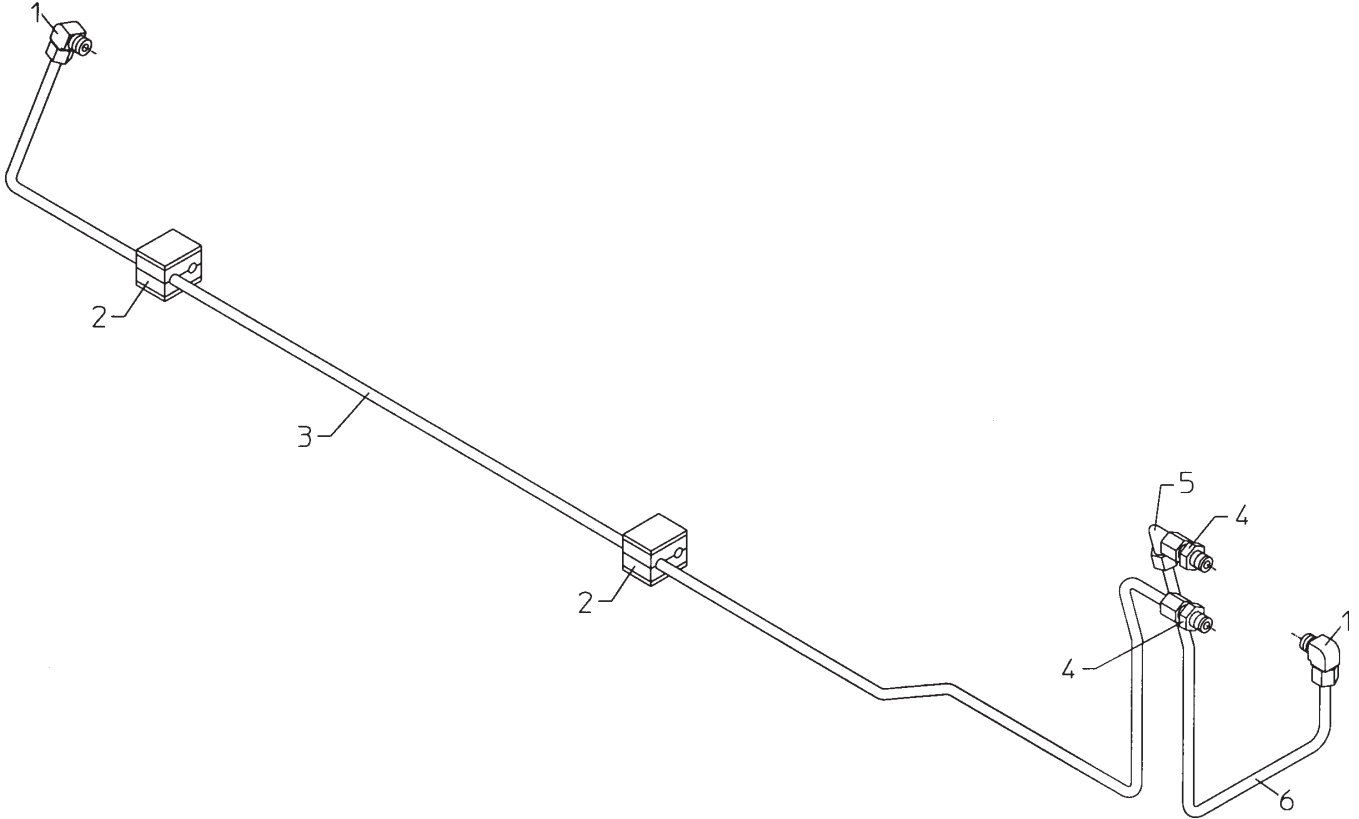
**HYDRAULIC SYSTEM-PUMP & TANK-M50**

1.	25273	CONNECTION	1
2.	26142	CONNECTION	2
3.	25143	CONNECTION	1
4.	26168	BLANKING PLUG	2
5.	25184	COUPLING NUT M15	2
6.	25160	REDUCING CONNECTION	1
7.	26370	PRESSURE GAUGE	1
		CONNECTION	1
8.	26103	PRESSURE-GAUGE CONNECT.	1
9.	56270	HOSE	1
10.	20145	O-RING OR 18,72 X 2,62	1
11.	1261833	FITTINGS	1
12.	25832	STRAIGHT CONNECTION	1
13.	60212	FILTER	1
14.	25284	ELBOW CONNECTION	1



**HYDRAULIC SYSTEM-ROTATION CYLINDER-RS150**

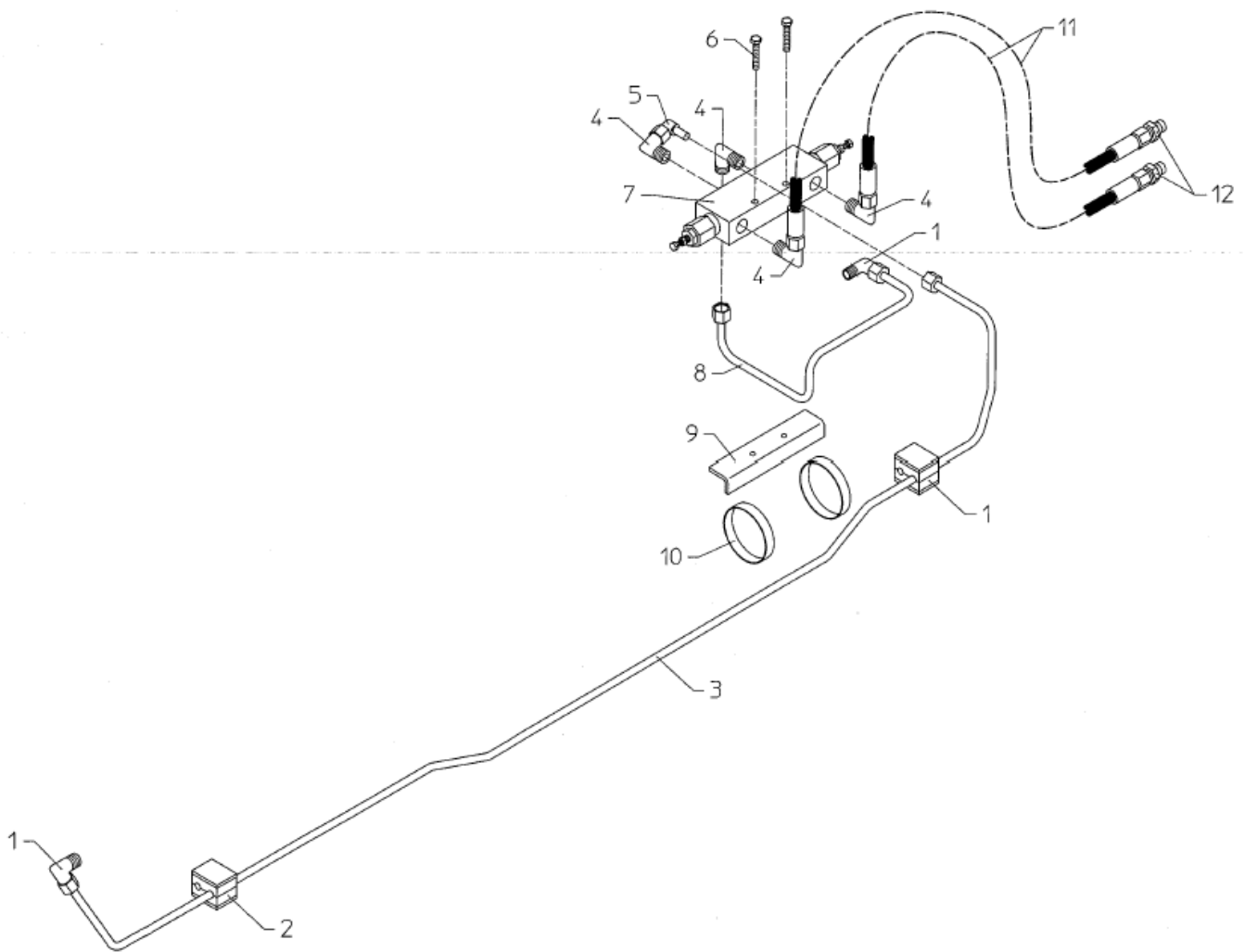
1.	25 117	CONNECTION	2
2.	31 417	CLAMP 2X8MM	2
3.	13 12 313	PIPE	1
4.	25 109	CONNECTION	2
5.	25 248	CONNECTION	1
6.	13 12 324	PIPE	1



**HYDRAULIC SYSTEM-ROTATION CYLINDER WITH LHV**

1.	25 900	CONNECTION	2
2.	31 417	CLAMP	2
3.	13 12 684	PIPE	1
4.	25 922	CONNECTION	2
5.	25 248	CONNECTION	1
6.	30 116	STEEL BOLT M6X35	2
7.	59 977	LOAD HOLDING VALVE	1
8.	13 12 693	PIPE	1
9.	13 01 904	PLATE	1
10.	31 407	CLIP	2
11.	62 536	HOSE, 1/4" X 350	2
12.	25 109	CONNECTION	2

NOTE: AVAILABLE FOR DANFOSS PVG32, SERIAL # 640001 ONWARD. AVAILABLE FOR NORDHYDRAULIC RS150 SERIAL NO. 640001 THROUGH 640609.

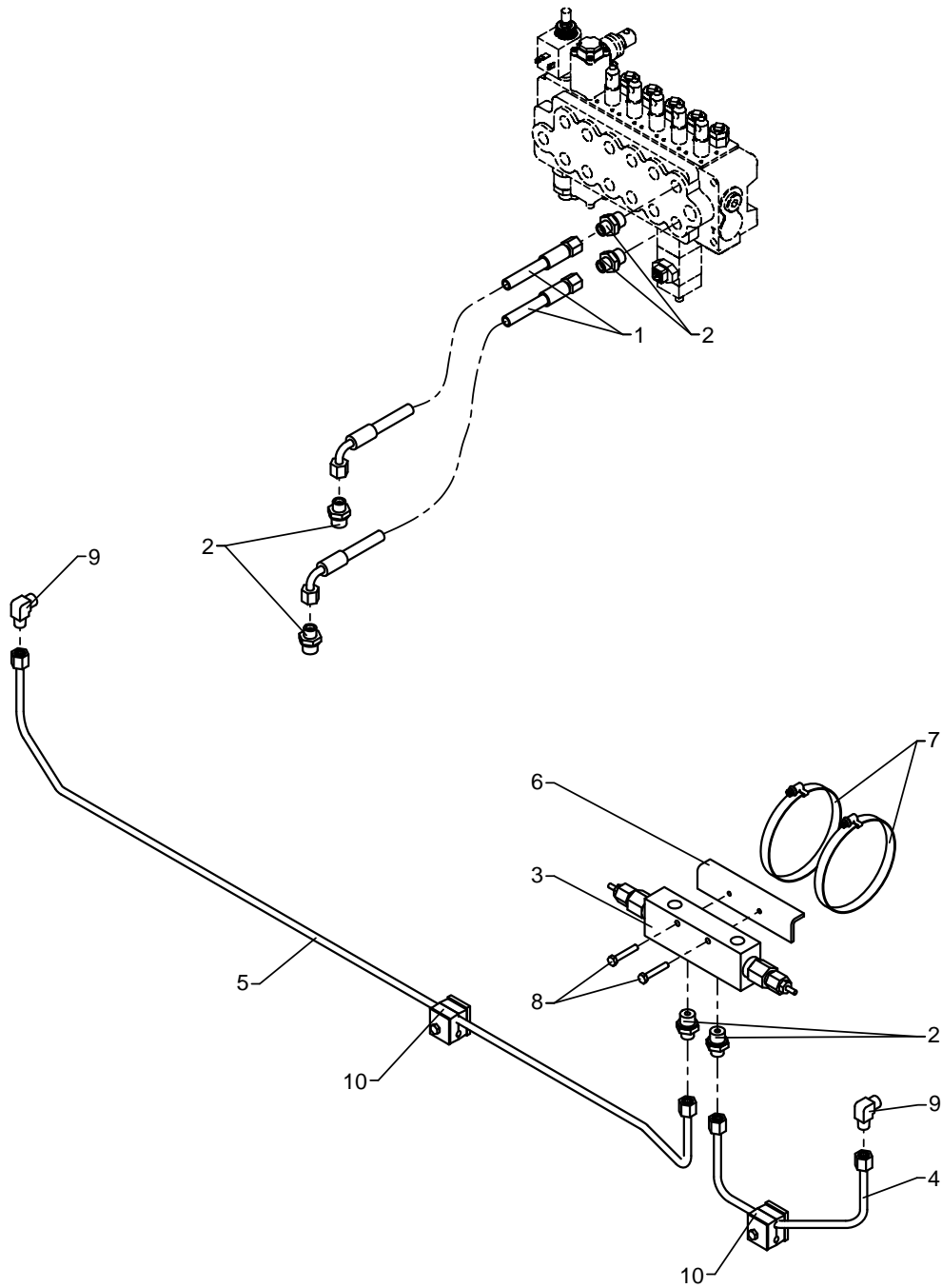


5/33: 082 05 230: 20090601

PARTS-39

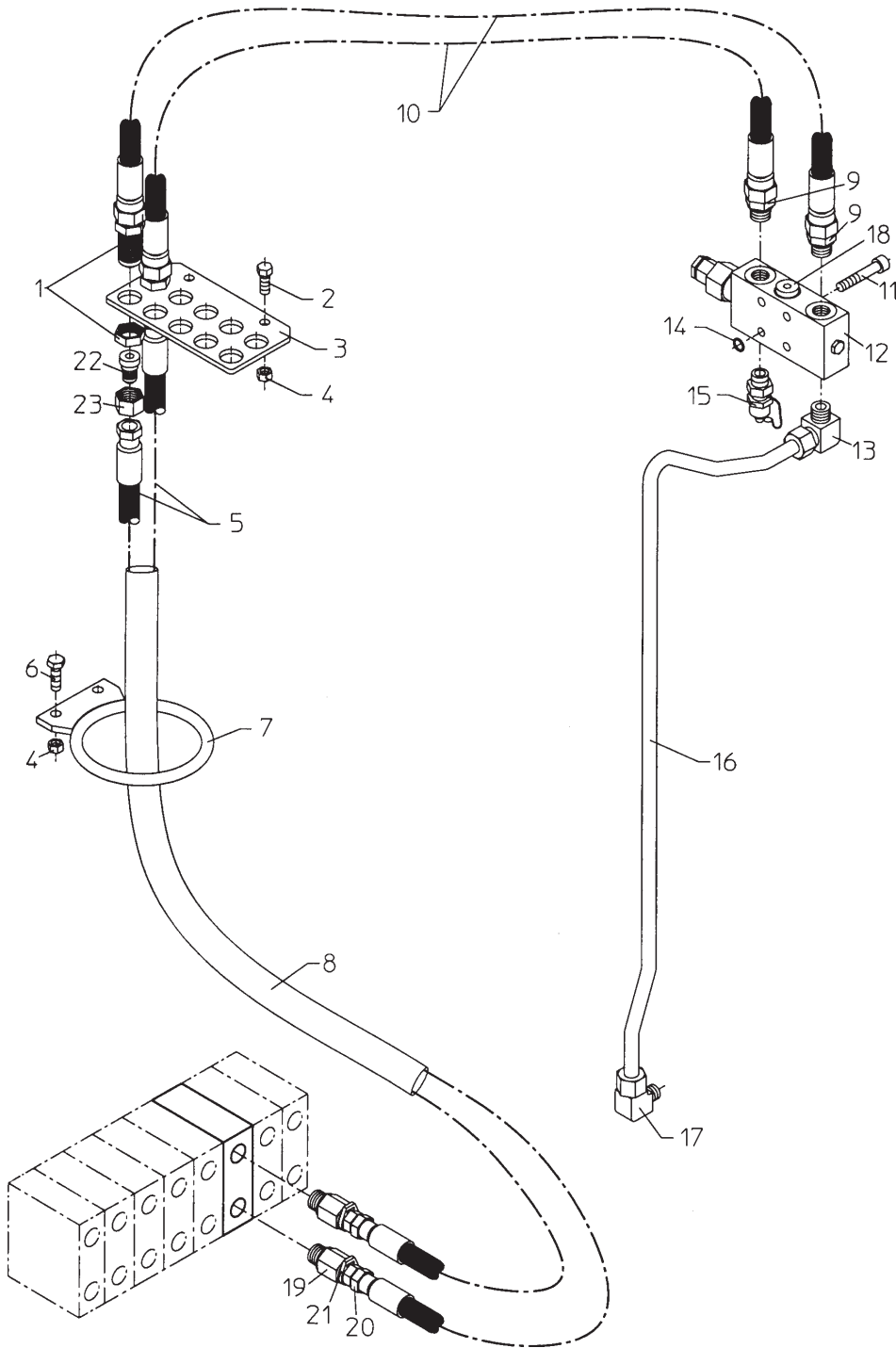
**HYDRAULIC SYSTEM-ROTATION CYLINDER WITH LHV, M50**

1.	62525	HOSE	2
2.	25244	CONNECTION	6
3.	59977	LOAD-HOLDING VALVE	1
4.	1297953	PIPE, SLEW PORT A, LHV	1
5.	1297963	PIPE, SLEW PORT B, LHV	1
6.	1301904	PLATE	1
7.	31407	CLIP	2
8.	30116	STEEL BOLT, STAINLESS M6 X 35 2	
9.	25900	ELBOW CONNECTION	2
10.	31417	CLAMP	2



**HYDRAULIC SYSTEM-INNER BOOM CYLINDER-C90-600**

1.	25 824	CONNECTION	2	13.	25 132	CONNECTION	1
2.	30 132	SET SCR M8X20	2	14.	20 138	O-RING 10.77X2.62	
3.	66 094	CLAMP	1	15.	26 103	PRESSURE GAUGE CONN.	1
4.	30 886	LOCK NUT M8	4	16.	13 12 184	PIPE	1
5.	62 860	HOSE 3/8"X2200 O/O	2	17.	25 134	CONNECTION	1
6.	30 134	SET SCR M8X25	2	18.	25 197	PLUG	
7.	12 94 054	HOSE GUIDE	1	19.	25 887	CONNECTION	2
8.	62 598	PROTECTIVE COVER	1	20.	25 878	ADAPTER	2
9.	25 831	CONNECTION	2	21.	25 885	DISMOUNTING RING	2
10.	62 857	HOSE 3/8"X1150 O/O	2	22.	25 846	CONNECTION	2
11.	30 445	SCREW MC8X40	4	23.	25 845	CONNECTION	2
12.	59 955	LOAD HOLDING VALVE	1				



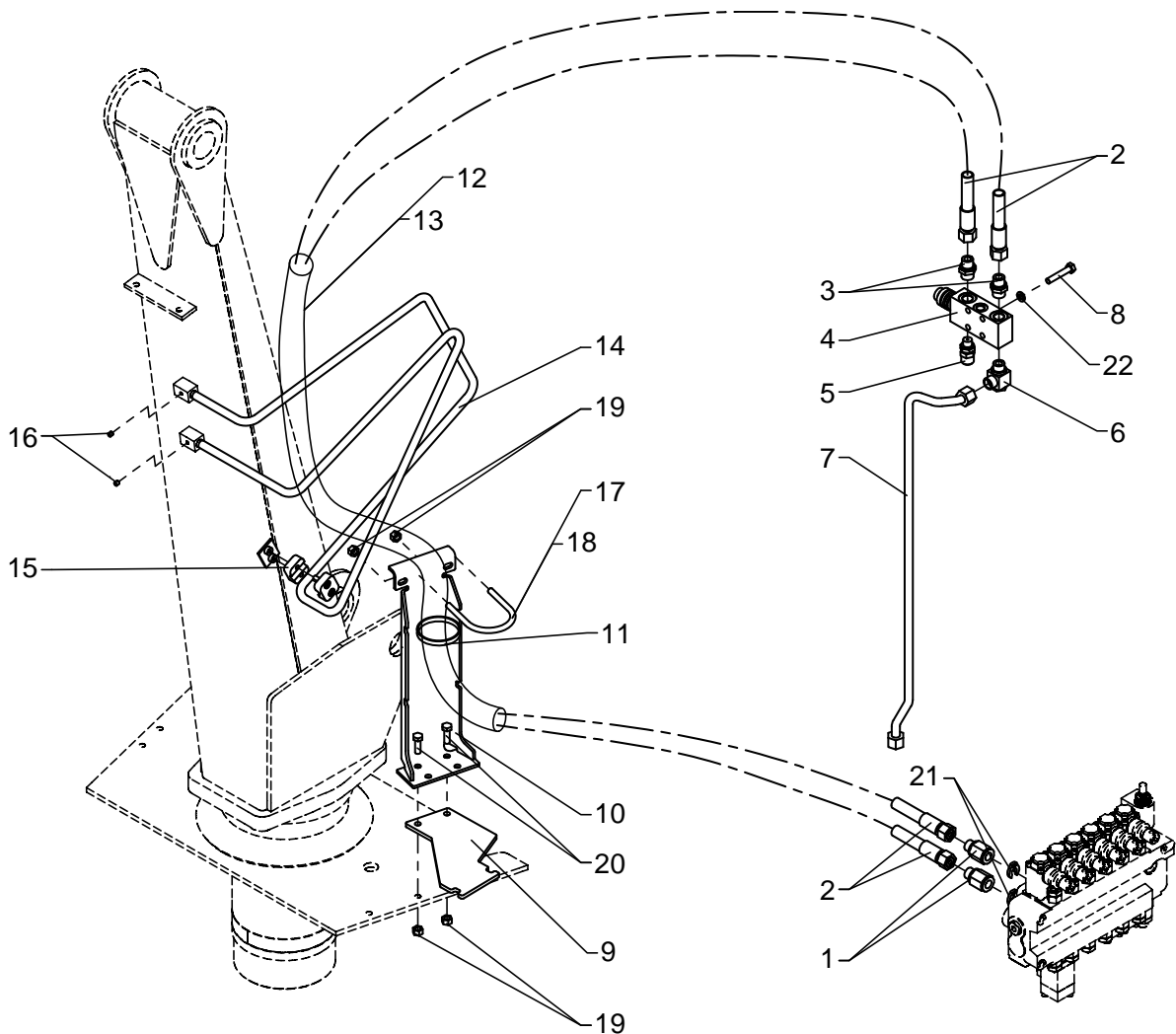


**HYDRAULIC SYSTEM-INNER BOOM CYLINDER-C=6 O'CLOCK, M50**

1.	25887	CONNECTION	2
2.	19520	HOSE	2
3.	25127	CONNECTION	2
4.	59955	LOAD-HOLDING VALVE	1
5.	26103	PRESSURE-GAUGE CONN.	1
6.	25130	BANJO CONNECTION	1
7.	1312184	PIPE	1
8.	30138	STEEL BOLT, SS M8X45	1
9.	1298173	PLATE FOR HOSE BRACKET	1
10.	1298142	HOSE BRACKET	1
11.	27275	CLIP	1
12.	62599	PROTECTIVE COVER *	1
13.	62602	PROTECTIVE COVER **	1
14.	1298123	HOSE GUIDE	1
15.	31425	CLAMP	1
16.	31548	POINTED SCREW, SS MSP6X6 2	
17.	31816	HOSE CLIP *	1
18.	31884	HOSE CLIP **	1
19.	30886	LOCK NUT, STAINLESS M8	4
20.	30134	SET SCREW, SS M8X25	2
21.	25885	SNAP RING	2
22.	31155	SPRING WASHER 8MM	1

\* EXCLUDING WINCH OR EXV

\*\* INCLUDING WINCH OR EXV

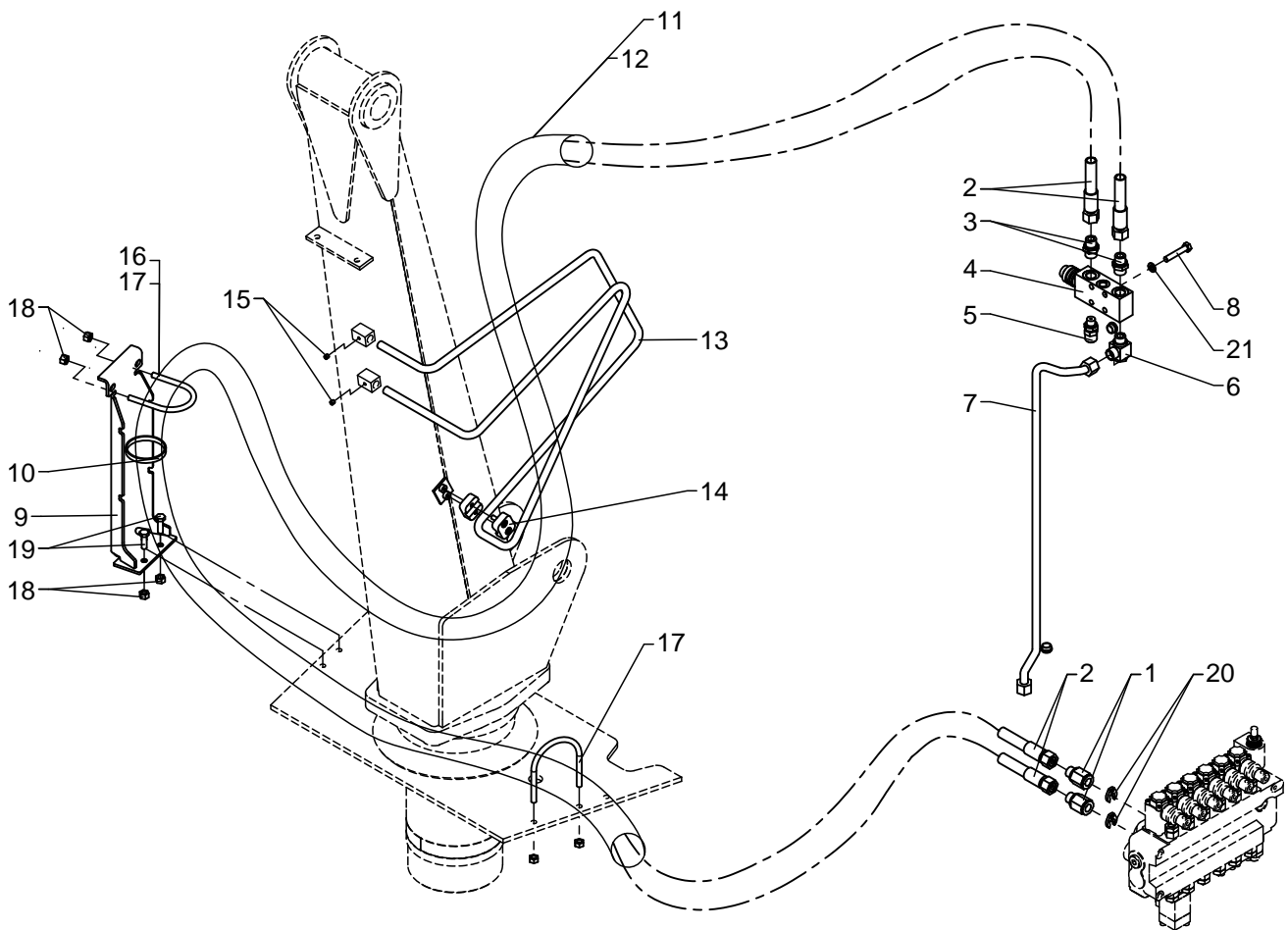


**HYDRAULIC SYSTEM-INNER BOOM CYLINDER-C=12 O'CLOCK, M50**

1.	25887	CONNECTION	2
2.	56455	HOSE	2
3.	25127	CONNECTION	2
4.	59955	LOAD-HOLDING VALVE	1
5.	26103	PRESSURE-GAUGE CONN.	1
6.	25130	BANJO CONNECTION	1
7.	1312184	PIPE	1
8.	30138	STEEL BOLT, SS M8X45	1
9.	1298142	HOSE BRACKET	1
10.	27275	CLIP	1
11.	62599	PROTECTIVE COVER *	1
12.	62602	PROTECTIVE COVER **	1
13.	1298123	HOSE GUIDE	1
14.	31425	CLAMP	1
15.	31548	POINTED SCREW, SS MSP6X6	2
16.	31816	HOSE CLIP *	1
17.	31884	HOSE CLIP **	2
18.	30886	LOCK NUT, STAINLESS M8	4
19.	30134	SET SCREW, SS M8X25	2
20.	25885	SNAP RING	2
21.	31155	SPRING WASHER 8MM	1

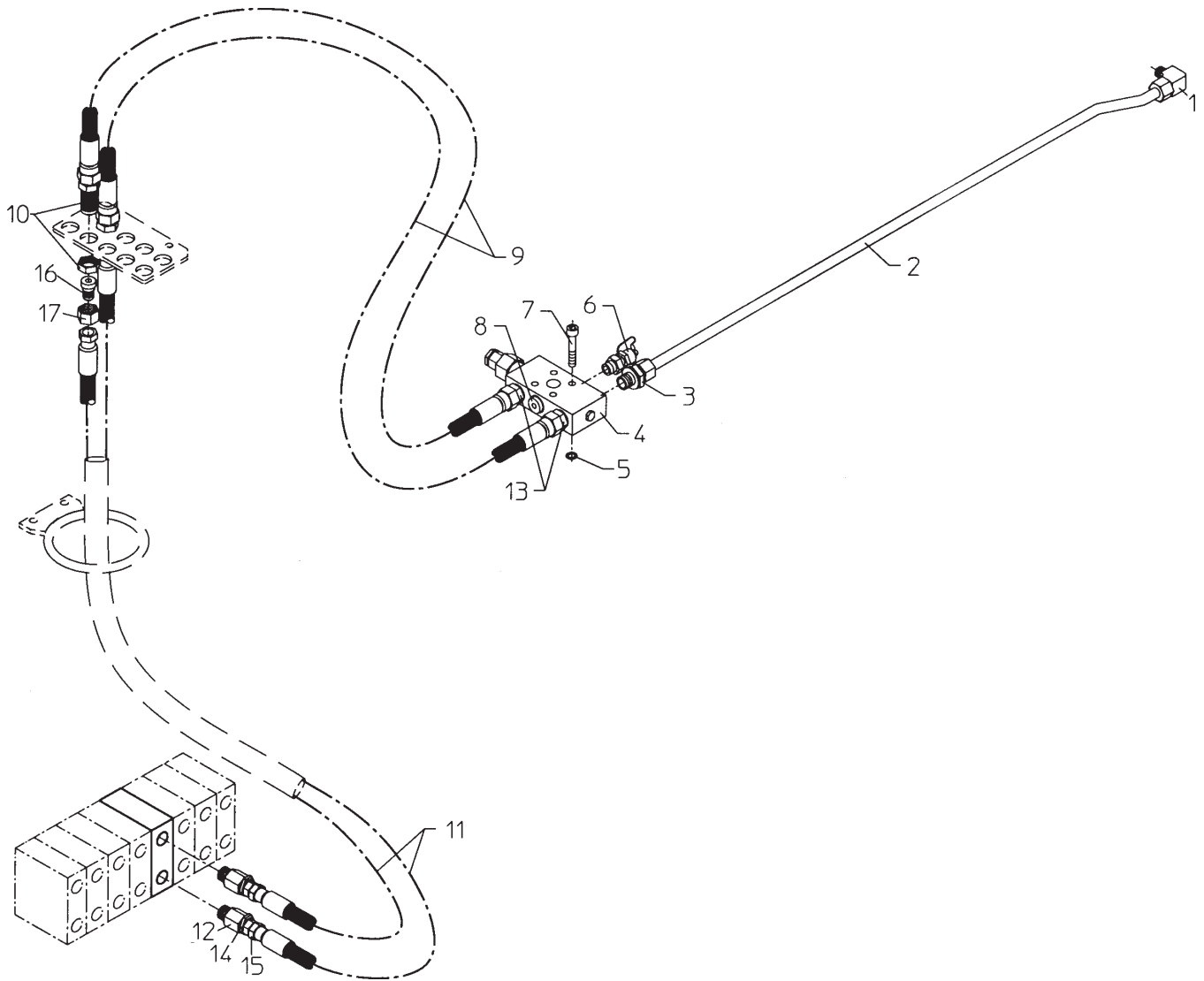
\* EXCLUDING WINCH OR EXV

\*\* INCLUDING WINCH OR EXV



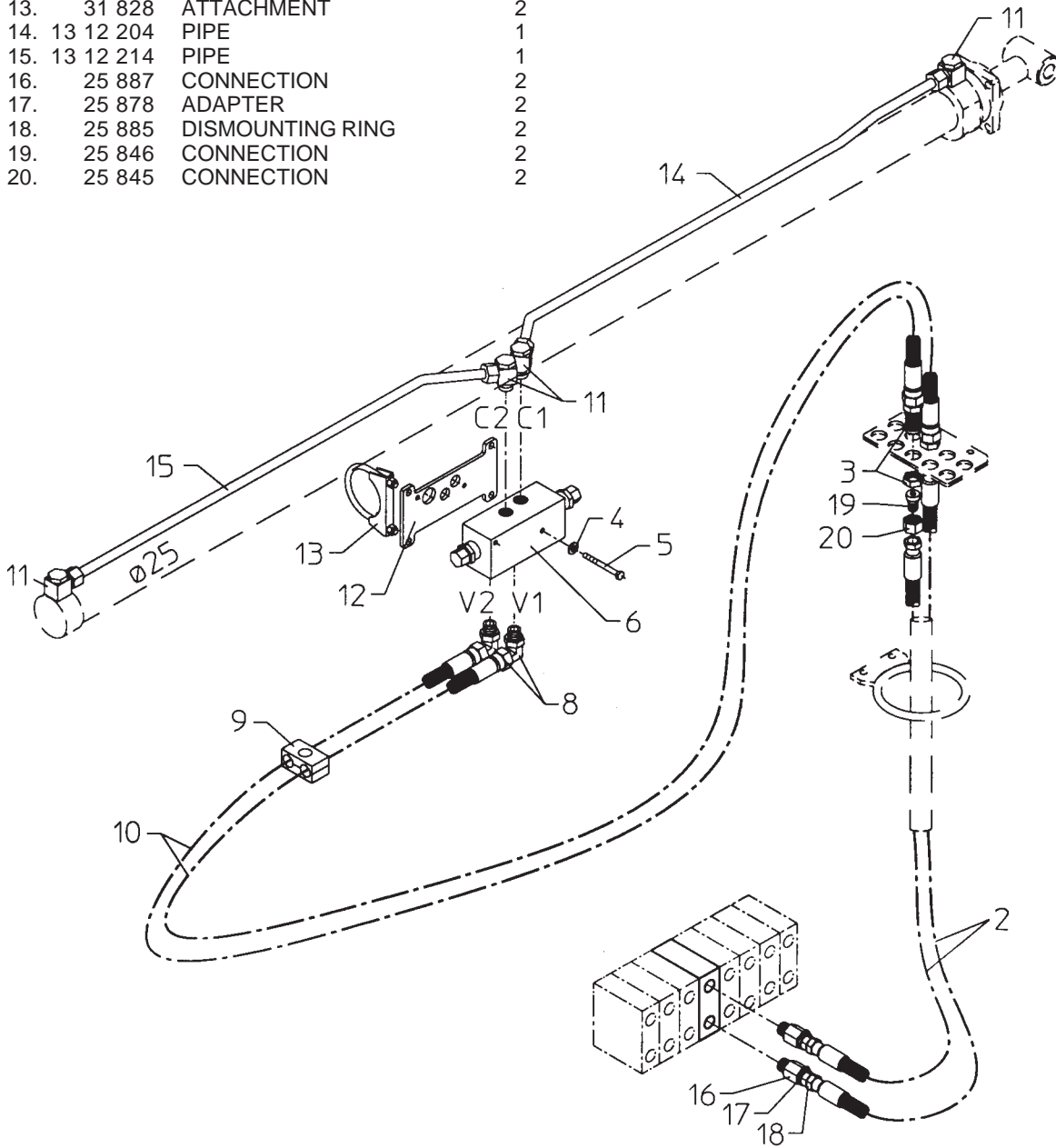
**HYDRAULIC SYSTEM-OUTER BOOM CYLINDER-C110-760**

1.	25 134	CONNECTION	1
2.	13 12 194	PIPE	1
3.	25 127	CONNECTION	1
4.	59 955	LOAD HOLDING VALVE	1
5.	20 138	O-RING 10.77X2.62	1
6.	26 103	PRESSURE GAUGE CONN.	1
7.	30 445	SCREW MC8X40	4
8.	25 197	PLUG	1
9.	62 857	HOSE 3/8"X1150 O/O	2
10.	25 824	CONNECTION	2
11.	62 860	HOSE 3/8"X2200 O/O	2
12.	25 887	CONNECTION	2
13.	25 831	CONNECTION	2
14.	25 885	DISMOUNTING RING	2
15.	25 878	ADAPTER	2
16.	25 846	CONNECTION	2
17.	25 845	CONNECTION	2



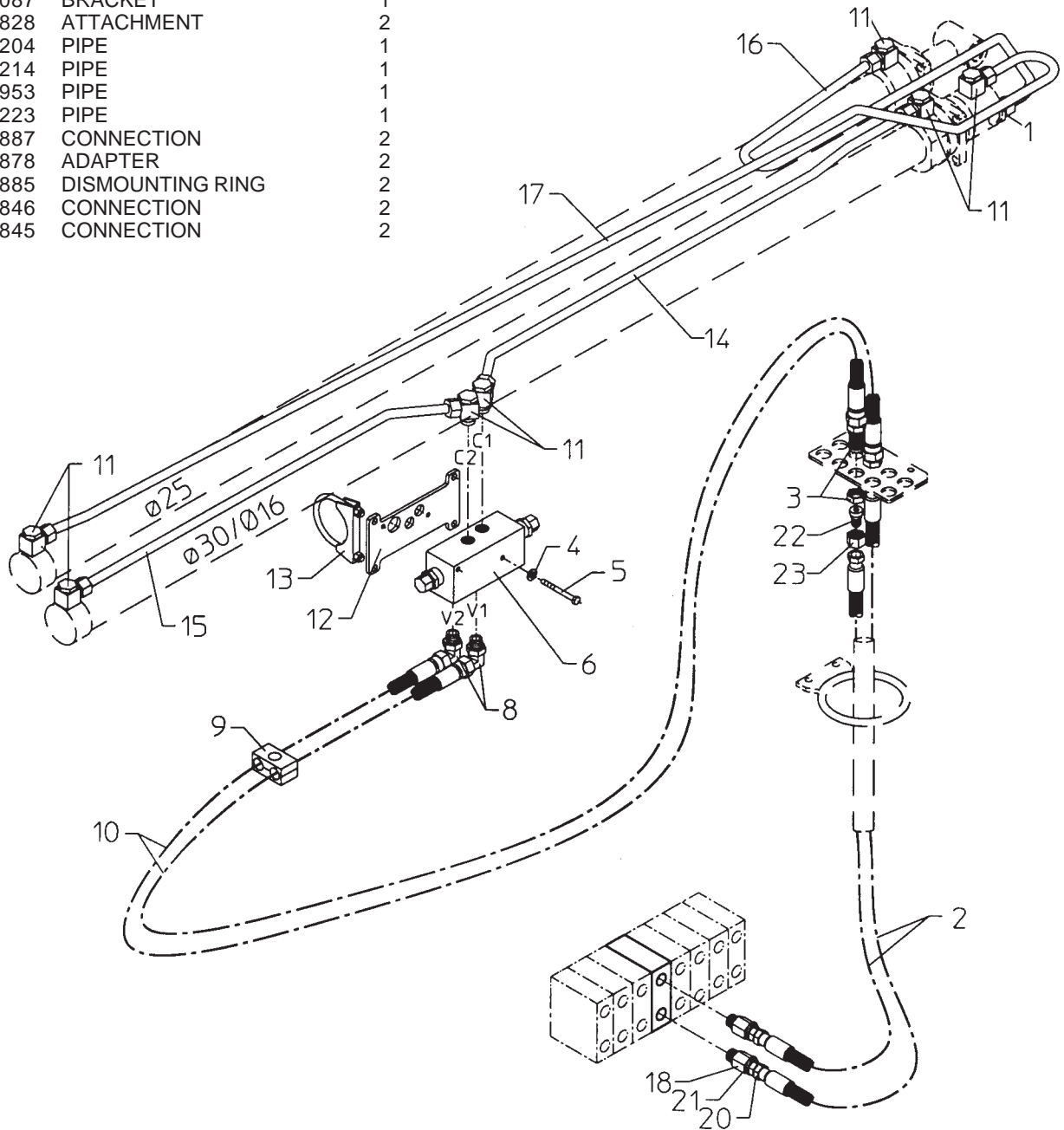
**HYDRAULIC SYSTEM-EXT CYLINDER-1H-C45-1485**

1.	25 127	CONNECTION	1
2.	62 860	HOSE 3/8"X2200 O/O	2
3.	25 824	CONNECTION	2
4.	31 154	SPRING WASHER 6MM	2
5.	30 120	STEEL BOLT M6X60	2
6.	59 022	REGENERATION VALVE	1
8.	25 838	CONNECTION	2
9.	31 815	CLAMP	2
10.	62 863	HOSE 3/8"X3400 O/O	2
11.	25 130	BANJO CONNECTION	4
12.	66 087	BRACKET	1
13.	31 828	ATTACHMENT	2
14.	13 12 204	PIPE	1
15.	13 12 214	PIPE	1
16.	25 887	CONNECTION	2
17.	25 878	ADAPTER	2
18.	25 885	DISMOUNTING RING	2
19.	25 846	CONNECTION	2
20.	25 845	CONNECTION	2



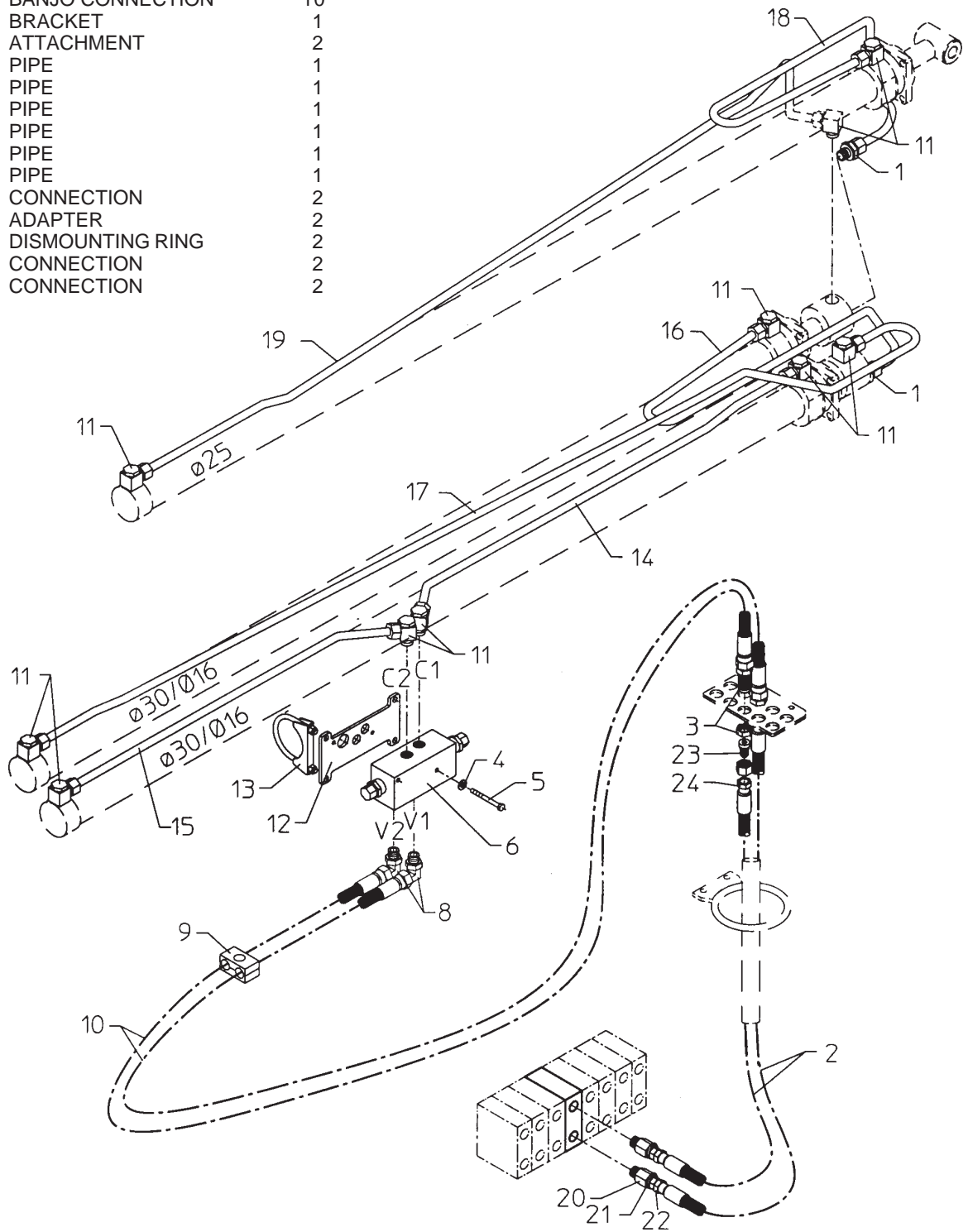
**HYDRAULIC SYSTEM-EXT CYLINDER-2H-C45-1485**

1.	25 127	CONNECTION	2
2.	62 860	HOSE 3/8"X2200 O/O	2
3.	25 824	CONNECTION	2
4.	31 154	SPRING WASHER 6MM	2
5.	30 120	STEEL BOLT M6X60	2
6.	59 022	REGENERATION VALVE	1
7.	25 242	CONNECTION	1
8.	25 838	CONNECTION	2
9.	31 815	CLAMP	2
10.	62 863	HOSE 3/8"X3400 O/O	2
11.	25 130	BANJO CONNECTION	7
12.	66 087	BRACKET	1
13.	31 828	ATTACHMENT	2
14.	13 12 204	PIPE	1
15.	13 12 214	PIPE	1
16.	12 93 953	PIPE	1
17.	13 12 223	PIPE	1
18.	25 887	CONNECTION	2
20.	25 878	ADAPTER	2
21.	25 885	DISMOUNTING RING	2
22.	25 846	CONNECTION	2
23.	25 845	CONNECTION	2



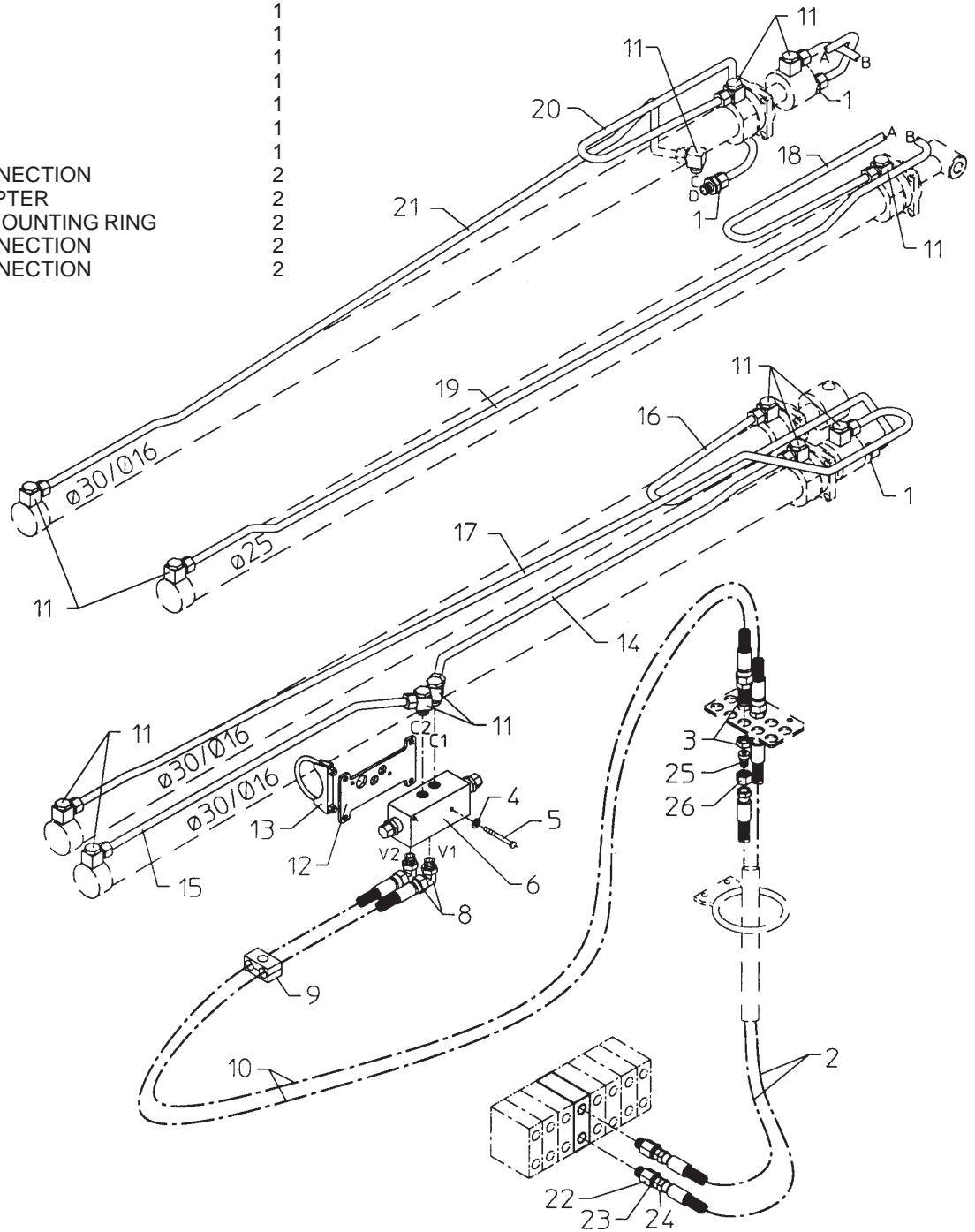
**HYDRAULIC SYSTEM-EXT CYLINDER-3H-C45-1485**

1.	25 127	CONNECTION	3
2.	62 860	HOSE 3/8"X2200 O/O	2
3.	25 824	CONNECTION	2
4.	31 154	SPRING WASHER 6MM	2
5.	30 120	STEEL BOLT M6X60	2
6.	59 022	REGENERATION VALVE	1
7.	25 242	CONNECTION	1
8.	25 838	CONNECTION	2
9.	31 815	CLAMP	2
10.	62 863	HOSE 3/8"X3400 O/O	2
11.	25 130	BANJO CONNECTION	10
12.	66 087	BRACKET	1
13.	31 828	ATTACHMENT	2
14.	13 12 204	PIPE	1
15.	13 12 214	PIPE	1
16.	12 93 953	PIPE	1
17.	13 12 223	PIPE	1
18.	12 93 943	PIPE	1
19.	13 12 233	PIPE	1
20.	25 887	CONNECTION	2
21.	25 878	ADAPTER	2
22.	25 885	DISMOUNTING RING	2
23.	25 846	CONNECTION	2
24.	25 845	CONNECTION	2



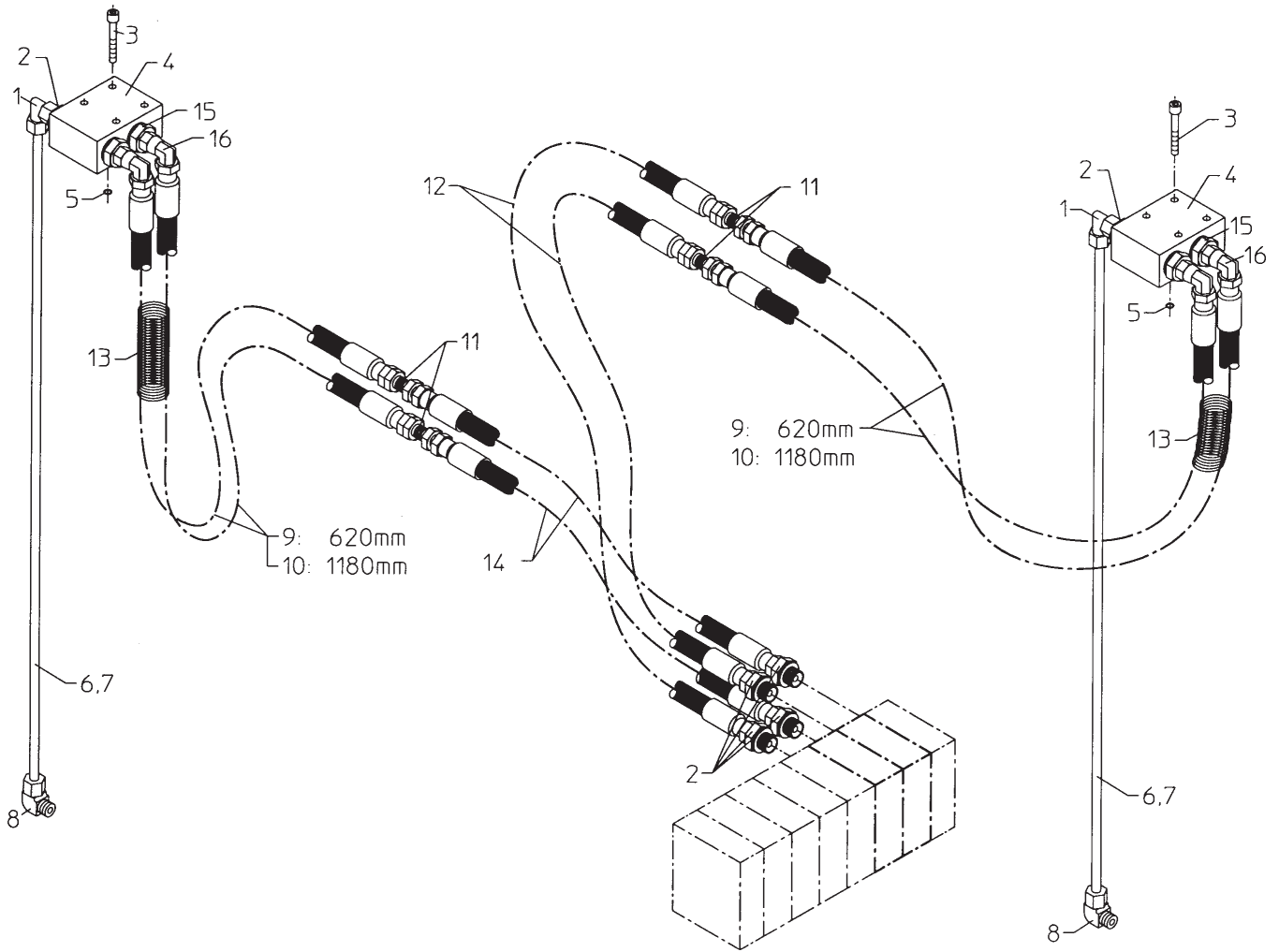
**HYDRAULIC SYSTEM-EXT CYLINDER-4H-C45-1485**

1.	25 127	CONNECTION	4
2.	62 860	HOSE 3/8"X2200 O/O	2
3.	25 824	CONNECTION	2
4.	31 154	SPRING WASHER 6MM	2
5.	30 120	STEEL BOLT M6X60	2
6.	59 022	REGENERATION VALVE	1
7.	25 242	CONNECTION	1
8.	25 838	CONNECTION	2
9.	31 815	CLAMP	2
10.	62 863	HOSE 3/8"X3400 O/O	2
11.	25 130	BANJO CONNECTION	13
12.	66 087	BRACKET	1
13.	31 828	ATTACHMENT	2
14.	13 12 204	PIPE	1
15.	13 12 214	PIPE	1
16.	12 93 953	PIPE	1
17.	13 12 223	PIPE	1
18.	12 93 943	PIPE	1
19.	13 12 243	PIPE	1
20.	12 93 893	PIPE	1
21.	13 12 233	PIPE	1
22.	25 887	CONNECTION	2
23.	25 878	ADAPTER	2
24.	25 885	DISMOUNTING RING	2
25.	25 846	CONNECTION	2
26.	25 845	CONNECTION	2



**HYDRAULIC SYSTEM-STABILIZERS-TYPE SV/SR**

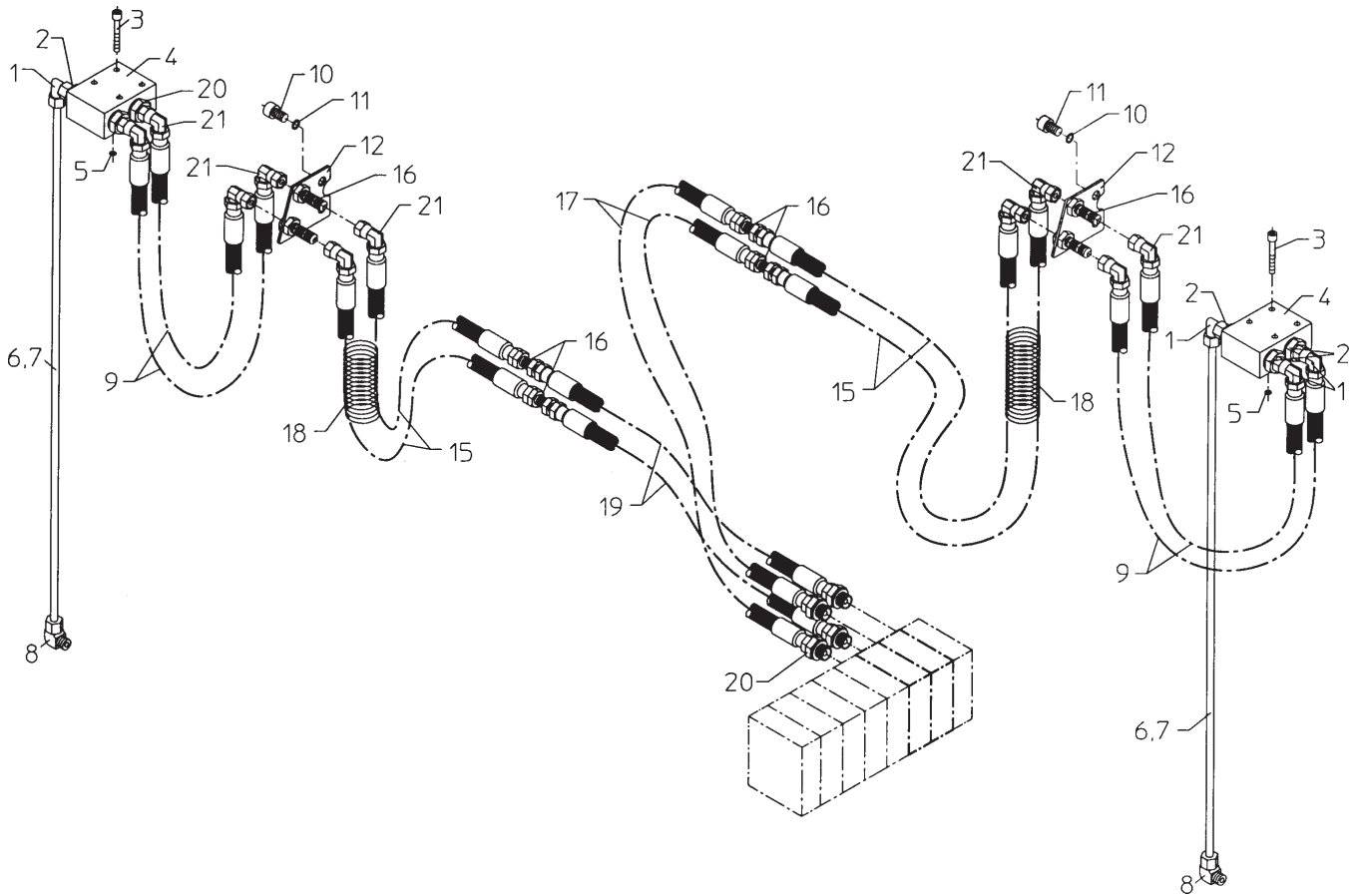
1.	25 248	CONNECTION	2
2.	25 244	CONNECTION	2
3.	30 453	SCREW MC10X25	8
4.	59 924	PILOTED CHECK VALVE	2
5.	20 137	O-RING 9.19X2.62	
6.	12 73 234	PIPE 712MM	2
7.	12 67 464	PIPE 618MM	2
8.	25 117	CONNECTION	2
9.	62 852	HOSE 3/8"X1050 O/O	4
10.	62 872	HOSE 3/8"X1600 O/O	4
11.	25 823	CONNECTION	4
12.	62 851	HOSE 1/4"X500 L/L	2
13.	62 487	SPIRAL	2
14.	62 854	HOSE 1/4"X1500 O/O	2
15.	25 830	CONNECTION	8
16.	25 826	CONNECTION	6





**HYDRAULIC SYSTEM-STABILIZERS-TYPE DV/DR**

1.	25 248	CONNECTION	2
2.	25 244	CONNECTION	2
3.	30 435	SCREW MC6X45	8
4.	59 924	PILOTED CHECK VALVE	2
5.	20 137	O-RING 9.19X2.62	
6.	12 73 234	PIPE 712MM	2
7.	12 67 464	PIPE 618MM	2
8.	25 117	CONNECTION	2
9.	62 535	HOSE 1/4"X650 O/O	4
10.	30 964	SCREW MC10X16	4
11.	31 156	SPRING WASHER 10MM	4
12.	66 103	PLATE	1
13.	21 102	SEAL WASHER Ø14X18, 7X1.5	4
14.	25 247	CONNECTION	4
15.	62 872	HOSE 3/8"X1600 O/O	4
16.	25 823	CONNECTION	4
17.	62 851	HOSE 1/4"X500 L/L	2
18.	62 487	SPIRAL	2
19.	62 854	HOSE 1/4"X1500 O/O	2
20.	25 830	CONNECTION	8
21.	25 826	CONNECTION	12



5/33: 99904676: 20111213

PARTS-50

**DECAL PLACEMENT, 5/33 CRANE (99904676)**

1.	95720380	DECAL KIT-COMMON	1REF
	95721971	DECAL KIT COMMON (SPANISH)	1REF
2.	70397053	DECAL-GREASE, 4-9 TM	1
3.	70396919	DECAL-DANGER SMALL ARTICULATING (PART OF #1)	2
4.	70392864	DECAL-WARNING-STAB STAND CLEAR (PART OF #1)	2
5.	70392865	DECAL-DANGER ELEC HAZARD LG (PART OF #1)	4
6.	70392868	DECAL-WARNING CR LOADLINE (PART OF #1)	4
7.	70392891	DECAL-DANGER DRIVELINE (PART OF #1)	2
8.	70394189	DECAL-MOBIL OIL RESERVOIR (PART OF #1)	1
9.	70391583	DECAL-SET UP/STOW INSTR. (PART OF #1)	2
10.	70029119	PLACARD-SERIAL NO.	1
11.	70397683	DECAL-CP 5/33 1H	2REF
	70397684	DECAL-CP 5/33 2H	2REF
	70397685	DECAL-CP 5/33 3H	2REF
	70397686	DECAL-CP 5/33 4H	2REF
12.	70397682	DECAL-ID 5/33 SERIES	2
13.	70396021	DECAL-MADE IN DENMARK (PART OF #1)	1

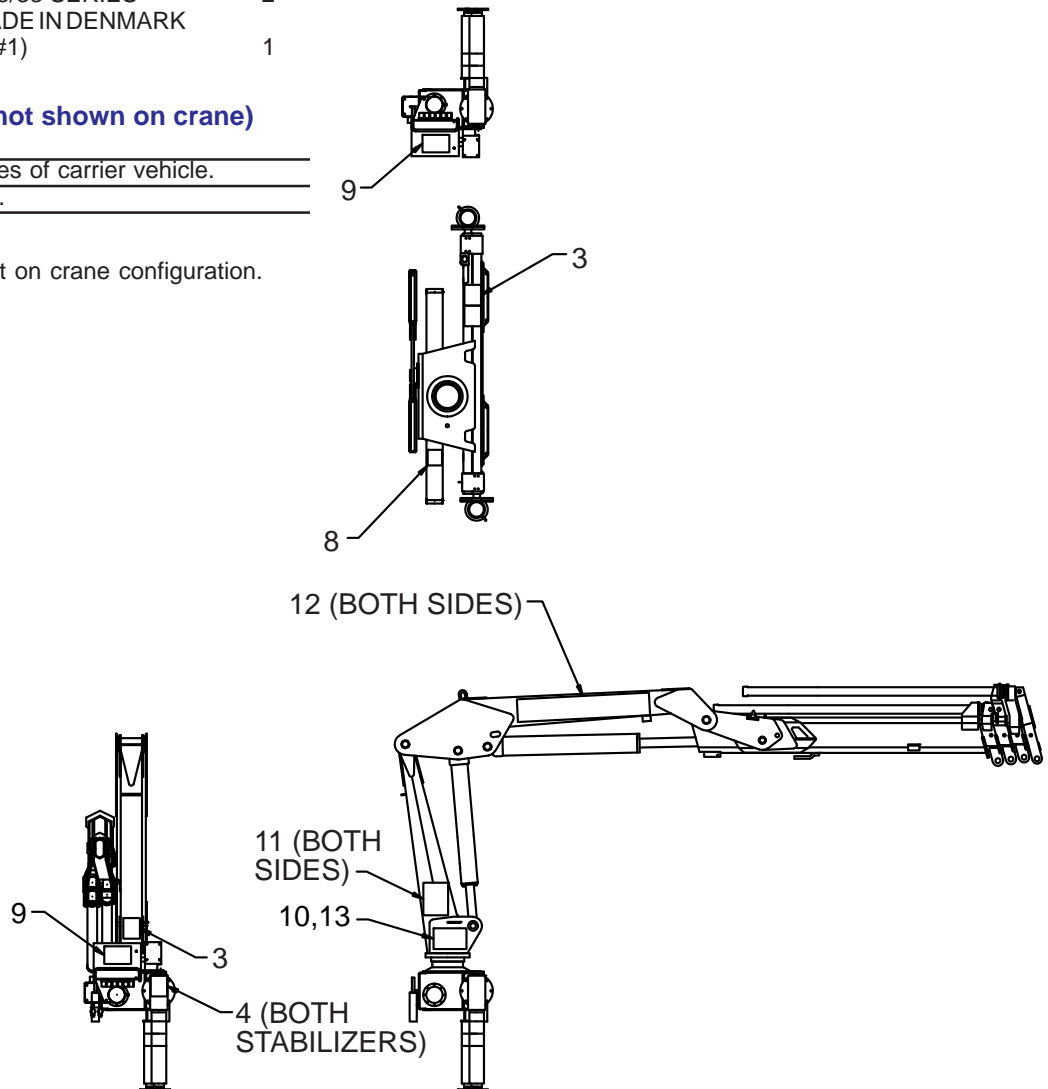
**ADDITIONAL DECALS (CONTROLS)  
(BASED ON CONFIGURATION)**

65 186	CONTROL LABEL, 6 FUNCT, HORIZONTAL ORIENTATION (LARGE)
65 763	CONTROL LABEL, 6 FUNCT, HORIZONTAL ORIENTATION (SMALL)
66 607	CONTROL LABEL, 4 FUNCT., VERTICAL ORIENTATION
66 608	CONTROL LABEL, STABILIZERS, VERTICAL ORIENTATION
65 936	CONTROL LABEL, STABILIZERS, HORIZONTAL ORIENTATION
66 609	CONTROL LABEL, EXTRA FUNCTIONS
65 521	CONTROL LABEL, 4 FUNCT, HORIZONTAL ORIENTATION
65 540	CONTROL LABEL, WINCH

**Decal Placement (if not shown on crane)**

ITEM#	LOCATION
5,6	One on all four sides of carrier vehicle.
7	At or near driveline.

Note: Item #11 is dependent on crane configuration.



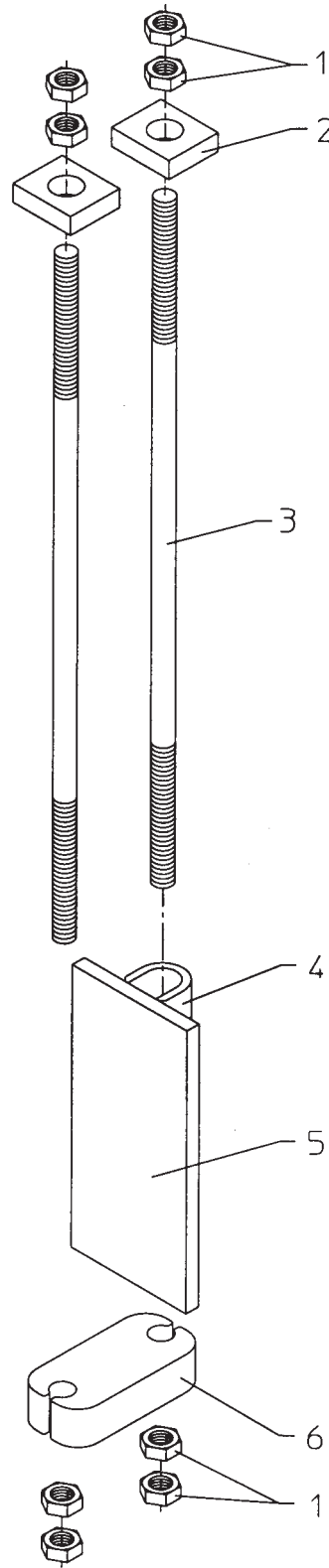
5/33: 450 06 100: 19990630

**MOUNTING FITTINGS**

- 1. 30 833 NUT 7/8"UNF
- 2. 66 57 044 WASHER
- 3. 66 57 614 MOUNTING BOLT 850MM
- 4. 66 59 914 U-SECTION
- 5. 66 59 924 SPACER
- 6. 59 58 574 CLAMP

PARTS-51

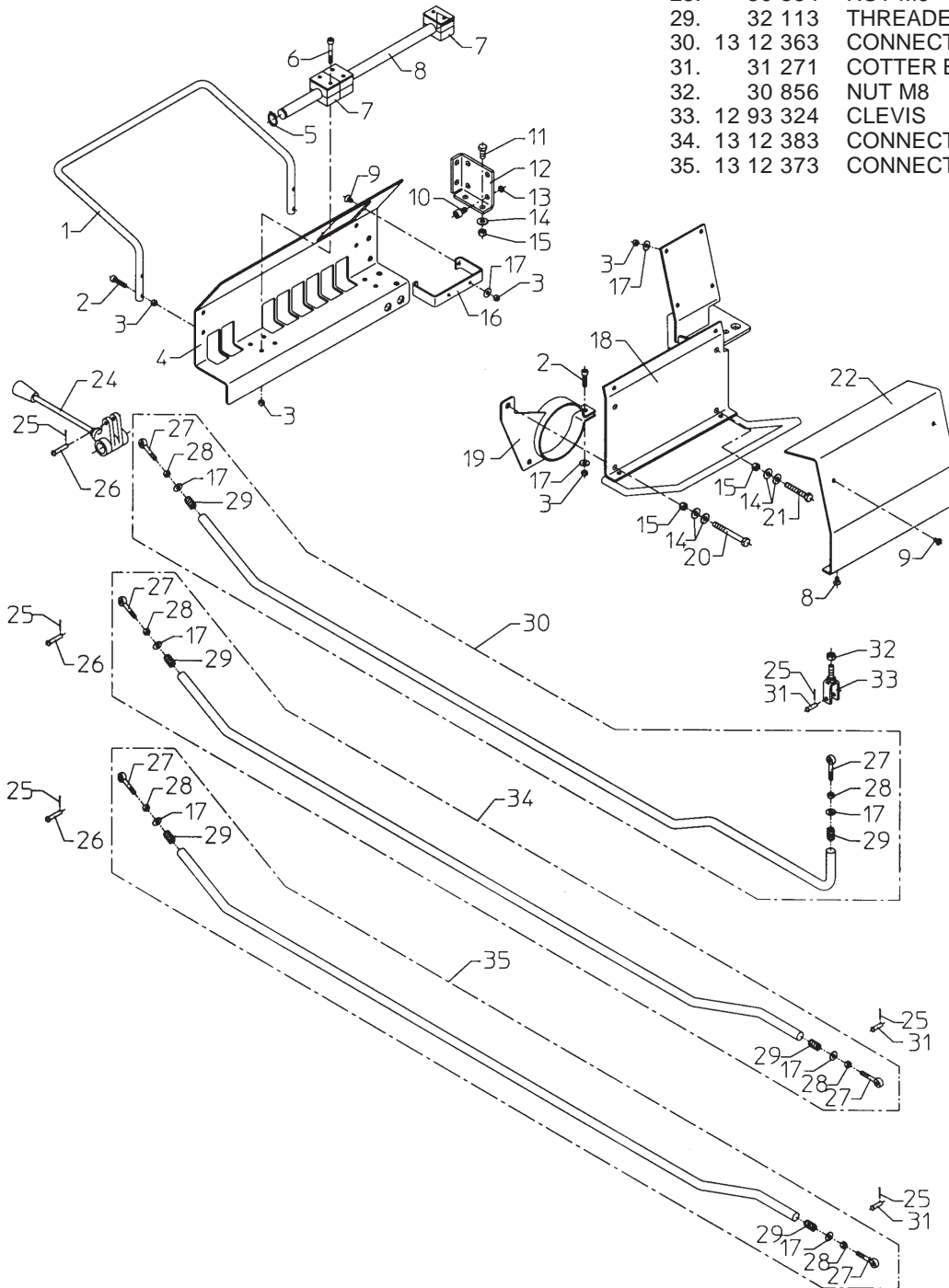
- 32
- 8
- 8
- 4
- 4
- 4



**DUAL CONTROL 2 STABILIZER VALVES**

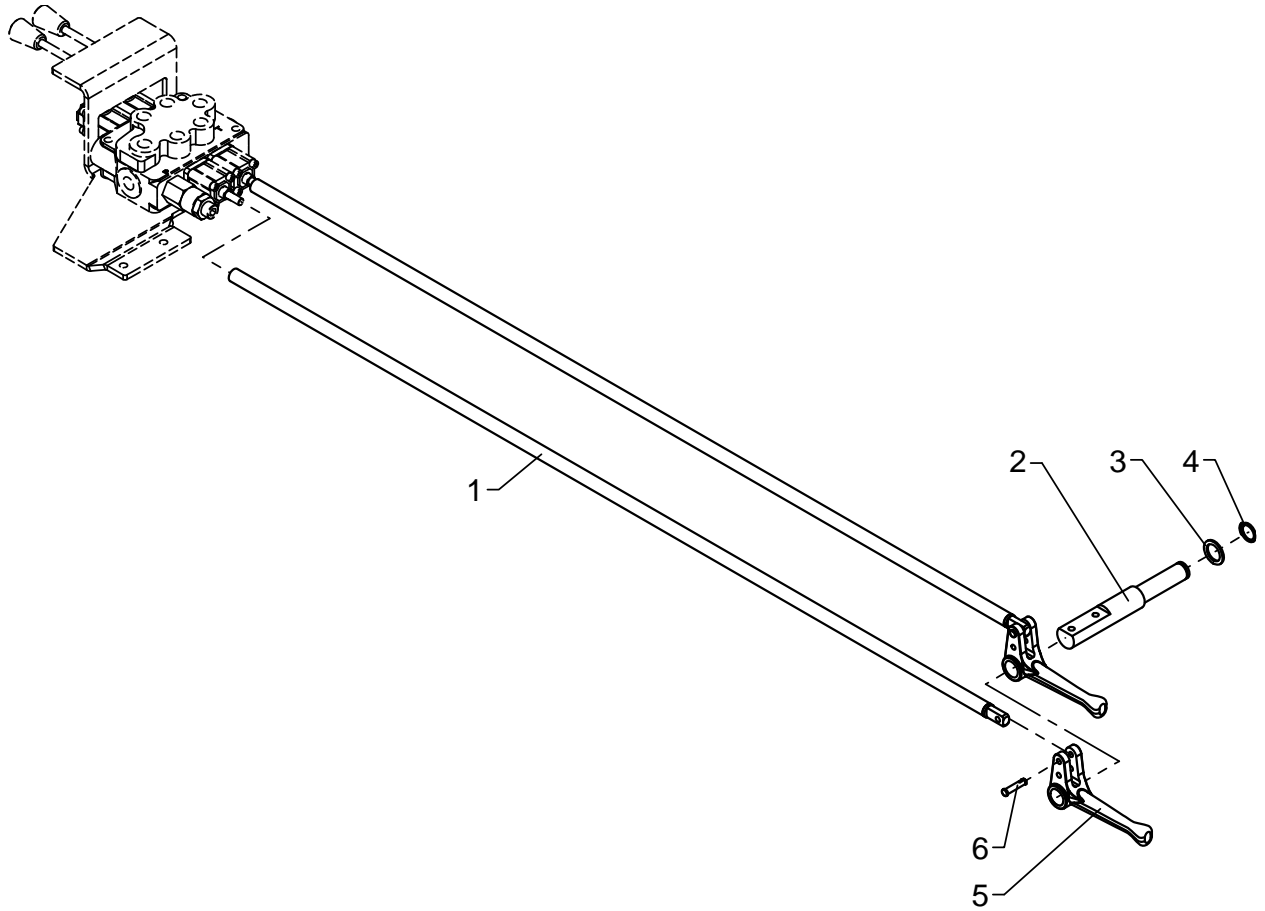
1.	13 12 404	SAFETY GUARD	1
2.	30 962	STEEL BOLT MC6X25	5
3.	30 884	LOCK NUT M6	15
4.	66 126	PROTECTIVE PLATE	1
5.	33 107	CIRCLIP 19U	1
6.	32 414	STEEL BOLT MC6X40	4
7.	31 428	CLAMP 18	3
8.	66 60 974	PIN-7 LEVER	1
9.	30 997	SCREW M6X10	6
10.	32 415	STEEL BOLT MC8X14	4
11.	30 131	SET SCR MC8X16	4
12.	66 097	BRACKET	1
13.	31 155	SPRING WASHER 8MM	4

14.	31 136	WASHER 8MM	10
15.	30 886	LOCK NUT M8	7
16.	66 098	CLAMP	1
17.	31 134	WASHER 6MM	7
18.	13 11 763	VALVE BRACKET	1
19.	13 12 273	BRACKET	1
20.	30 142	STEEL BOLT M8X70	2
21.	30 139	STEEL BOLT M8X50	1
22.	66 128	PROTECTIVE PLATE	1
24.	13 12 414	LEVER	8
25.	31 601	SPLIT PIN Ø1.5X20	16
26.	31 274	COTTER BOLT Ø6X30	8
27.	32 114	PIN	
28.	30 854	NUT M6	
29.	32 113	THREADED BUSHING	
30.	13 12 363	CONNECTING ROD	6
31.	31 271	COTTER BOLT Ø6X20	8
32.	30 856	NUT M8	6
33.	12 93 324	CLEVIS	6
34.	13 12 383	CONNECTING ROD	1
35.	13 12 373	CONNECTING ROD	1



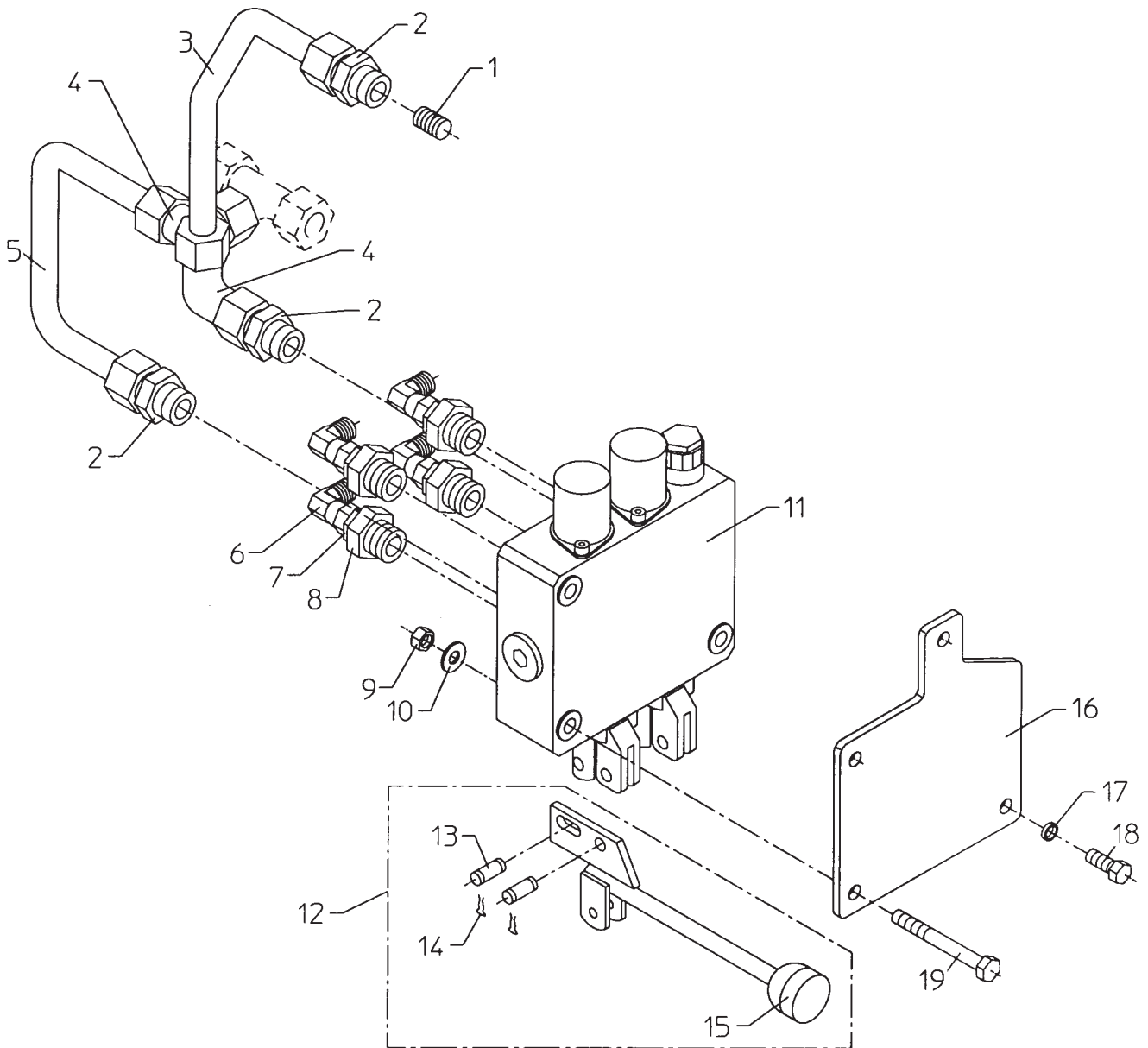
**DUAL CONTROL FOR SERIAL CONNECTION, M50**

- |    |         |                            |   |
|----|---------|----------------------------|---|
| 1. | 1297943 | CONNECTING ROD             | 2 |
| 2. | 1330235 | PIN                        | 1 |
| 3. | 33227   | BACK RING, SS 20 X 28 X 2  | 1 |
| 4. | 33107   | SNAP RING 19U              | 1 |
| 5. | 63446   | LEVER FOR DUAL CONTROLS    | 2 |
| 6. | 63468   | SPLIT PIN WITH SPRING LOCK | 2 |



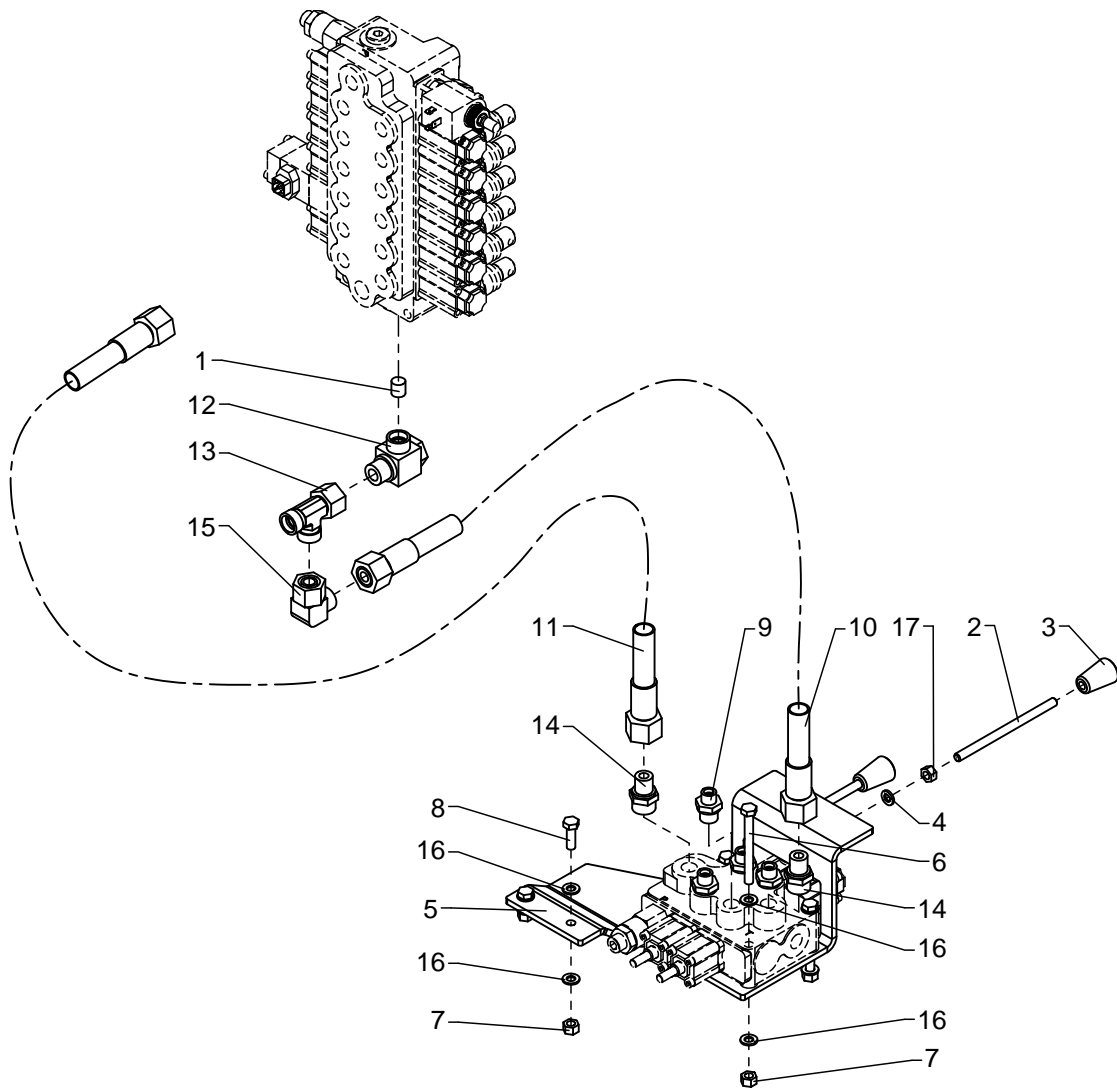
**SERIES CONNECTION PARTS-RS150**

1.	59 951	SOLENOID VALVE	1
2.	25 143	CONNECTION	3
3.	13 12 354	PIPE	1
4.	25 284	CONNECTION	2
5.	13 12 344	PIPE	1
6.	25 826	CONNECTION	4
7.	25 829	CONNECTION	4
8.	25 821	CONNECTION	4
9.	30 886	LOCK NUT M8	3
10.	31 136	WASHER 8MM	6
11.	59 561	VALVE BLOCK-2 SECTION	1
12.	66 31 270	CONTROL LEVER-SHORT	2
13.	61 364	PIN	
14.	61 320	PIN LOCK	
15.	64 262	BALL Ø32X10MM	
16.	13 12 284	BRACKET	1
17.	31 155	SPRING WASHER 8MM	2
18.	30 132	SET SCR M8X20	4
19.	30 142	STEEL BOLT M8X70	3



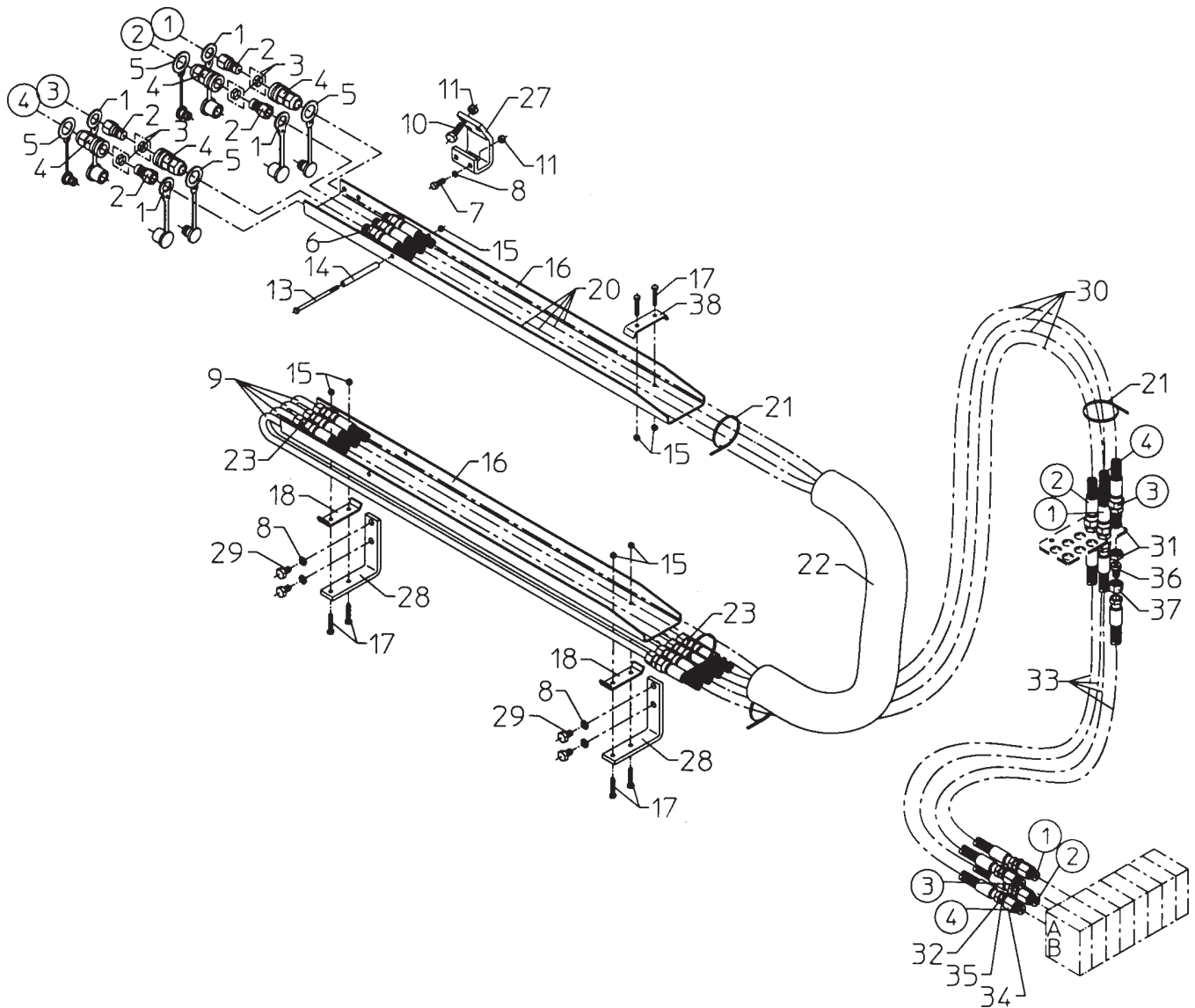
**SERIES CONNECTION PARTS-M50**

1.	30417	PIPE PLUG	1
2.	1320252	CTRL LEVER, SHORT, STRAIGHT	2
3.	59224	KNOB FOR LEVER	2
4.	31155	SPRING WASHER 8 MM	2
5.	1297803	VALVE BRACKET	1
6.	30143	STEEL BOLT, SS M8 X 80	3
7.	30886	LOCK NUT, SS M8	5
8.	30134	SET SCREW, SS M8 X 25	2
9.	25244	CONNECTION	4
10.	16000	HOSE	1
11.	16340	HOSE	1
12.	25158	BANJO CONNECTION	1
13.	26142	CONNECTION	1
14.	25273	CONNECTION	2
15.	25284	ELBOW CONNECTION	1
16.	31147	WASHER, STAINLESS 8 MM	10
17.	30856	NUT, STAINLESS M8	2



**EXTRA VALVES-1H**

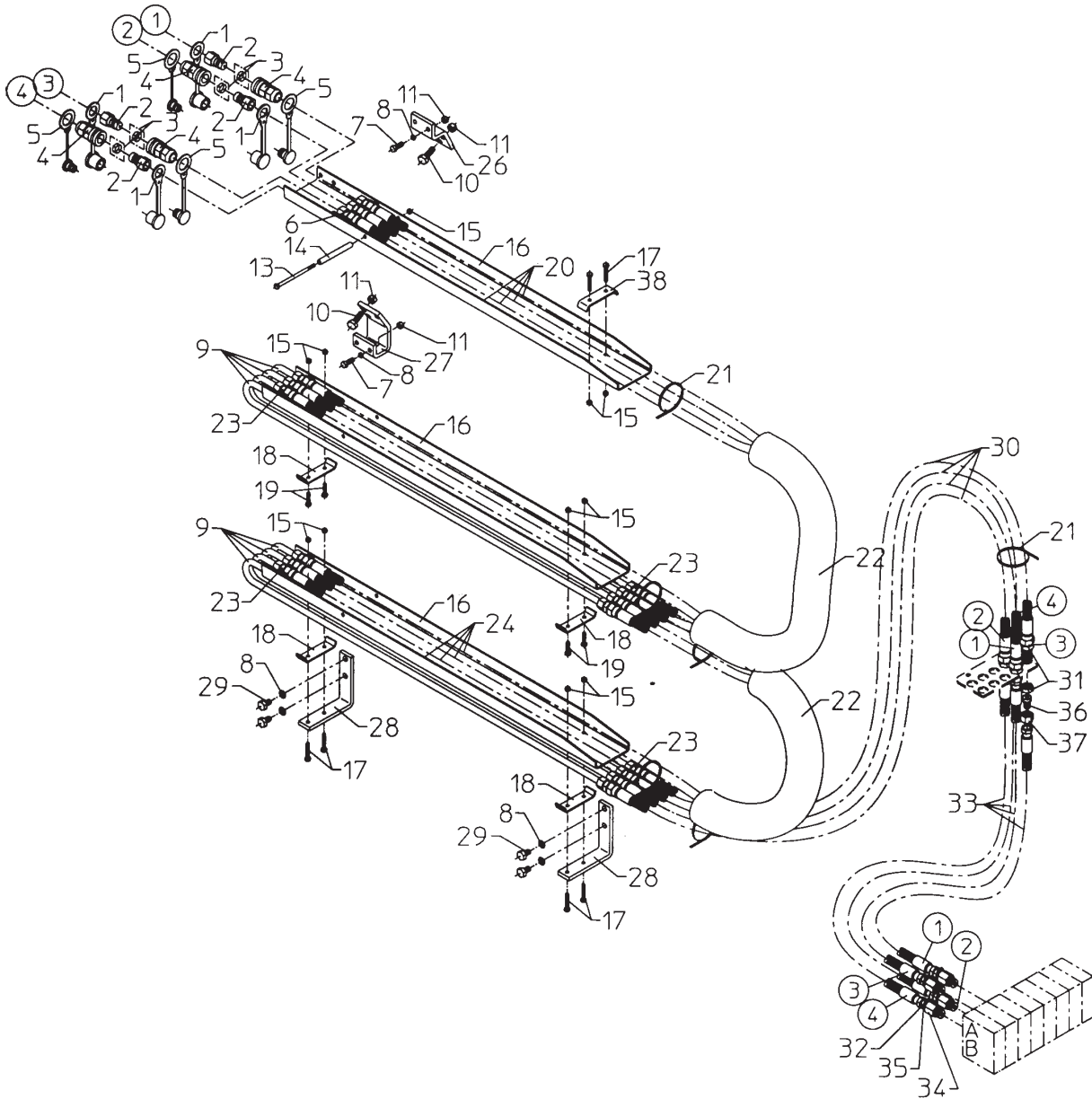
13 10 080	MOUNTING KIT	1	17.	30 116	STEEL BOLT M6X35	6	
13 10 120	MOUNTING KIT	1	18.	66 105	FITTINGS	2	
1.	60 622	DUST CAP 3/8"M	4	20.	62 860	HOSE 3/8"X2200 O/O	8
2.	60 619	QUICK COUPLING 3/8"F	4	21.	27 274	CLIP	4
3.	60 635	SEAL KIT 3/8"		22.	62 592	PROTECTIVE COVER	1
4.	60 620	QUICK COUPLING 3/8"M	4	23.	25 843	CONNECTION	8
5.	60 621	DUST CAP 3/8"M	4	27.	12 93 713	FITTINGS	1
6.	25 831	CONNECTION	4	28.	12 93 723	FITTINGS	2
7.	30 155	SET SCR M10X25	2	29.	30 153	SET SCR M10X16	4
8.	31 118	WASHER 10MM	6	30.	00 17 470	HOSE 3/8X3900 O/O	4
9.	12 95 264	PIPE	4	31.	25 824	CONNECTION	4
10.	30 156	SET SCR M10X30	3	32.	25 887	CONNECTION	4
11.	30 888	LOCK NUT M10	5	34.	25 878	ADAPTER	4
13.	32 107	STEEL BOLT M6X120	1	35.	25 885	DISMOUNTING RING	4
14.	12 93 834	PIPE	1	36.	25 846	CONNECTION	4
15.	30 884	LOCK NUT M6	7	37.	25 845	CONNECTION	4
16.	66 106	HOSE GUIDE	2	38.	66 129	FITTINGS	1





**EXTRA VALVES-2H**

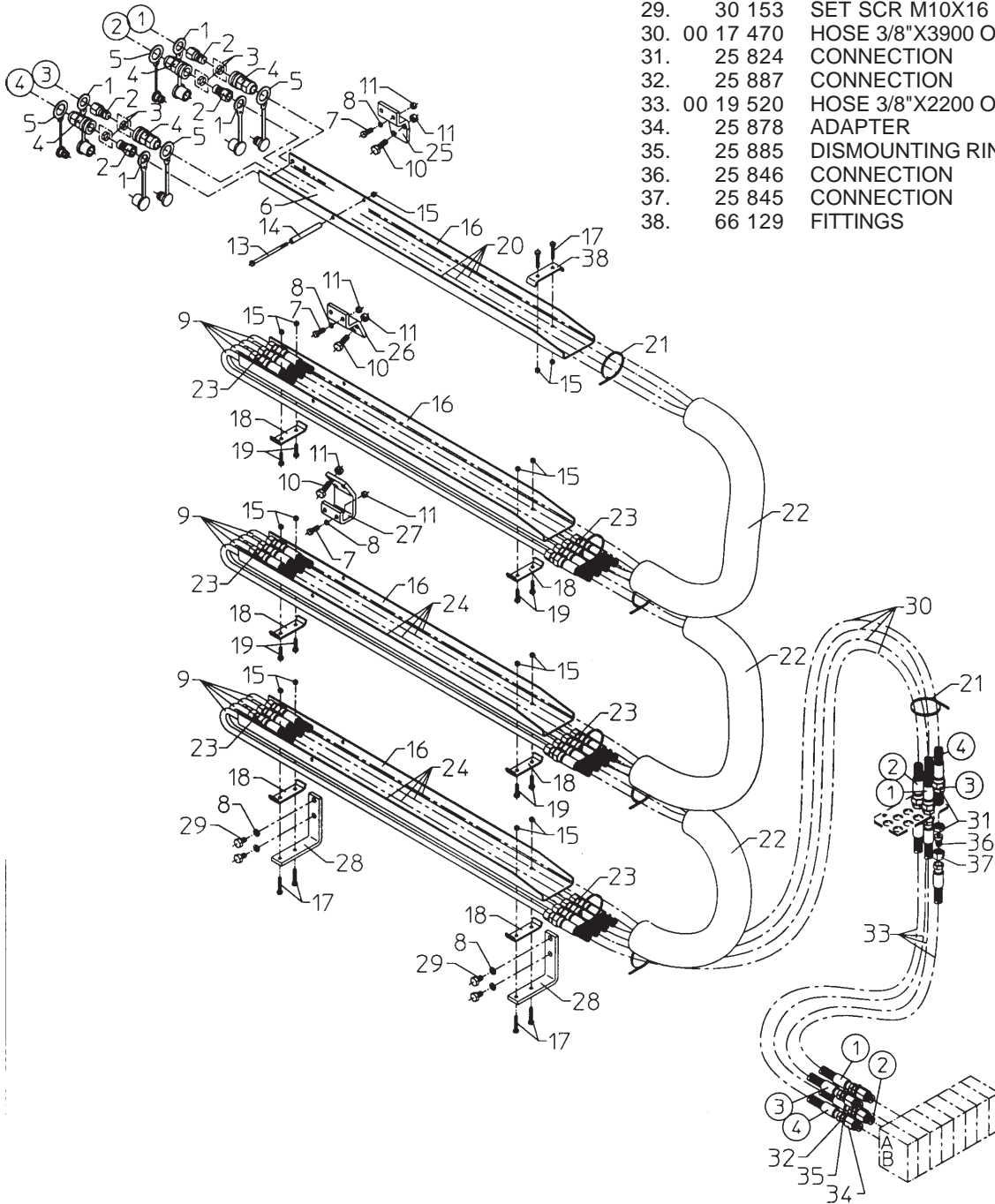
13	10	090	MOUNTING KIT	1	19.	30	115	STEEL BOLT M6X30	4		
13	10	130	MOUNTING KIT	1	20.	62	860	HOSE 3/8"X2200 O/O	4		
1.	60	622	DUST CAP 3/8"M	4	21.	27	274	CLIP	6		
2.	60	619	QUICK COUPLING 3/8"F	4	22.	62	592	PROTECTIVE COVER	2		
3.	60	635	SEAL KIT 3/8"		23.	25	843	CONNECTION	16		
4.	60	620	QUICK COUPLING 3/8"M	4	24.	62	857	HOSE 3/8"X1150 O/O	4		
5.	60	621	DUST CAP 3/8"M	4	26.	12	93	823	FITTINGS	1	
6.	25	831	CONNECTION	4	27.	12	93	713	FITTINGS	1	
7.	30	155	SET SCR M10X25	4	28.	12	93	723	FITTINGS	2	
8.	31	118	WASHER 10MM	8	29.	30	153	SET SCR M10X16	4		
9.	12	95	264	PIPE	8	30.	00	17	470	HOSE 3/8"X3900 O/O	4
10.	30	156	SET SCR M10X30	6	31.	25	824	CONNECTION	4		
11.	30	888	LOCK NUT M10	10	32.	25	887	CONNECTION	4		
13.	32	107	STEEL BOLT M6X120	1	33.	00	19	520	HOSE 3/8"X2200 O/O	4	
14.	12	93	834	PIPE	1	34.	25	878	ADAPTER	4	
15.	30	884	LOCK NUT M6	11	35.	25	885	DISMOUNTING RING	4		
16.	66	106	HOSE GUIDE	3	36.	25	846	CONNECTION	4		
17.	30	116	STEEL BOLT M6X35	6	37.	25	845	CONNECTION	4		
18.	66	105	FITTINGS	4	38.	66	129	FITTINGS	1		



**EXTRA VALVES-3H**

13	10	100	MOUNTING KIT	1
13	10	140	MOUNTING KIT	1
1.	60	622	DUST CAP 3/8"M	4
2.	60	619	QUICK COUPLING 3/8"F	4
3.	60	635	SEAL KIT 3/8"	4
4.	60	620	QUICK COUPLING 3/8"M	4
5.	60	621	DUST CAP 3/8"M	4
6.	25	831	CONNECTION	4
7.	30	155	SET SCR M10X25	6
8.	31	118	WASHER 10MM	10
9.	12	95 264	PIPE	12
10.	30	156	SET SCR M10X30	9
11.	30	888	LOCK NUT M10	15
13.	32	107	STEEL BOLT M6X120	1

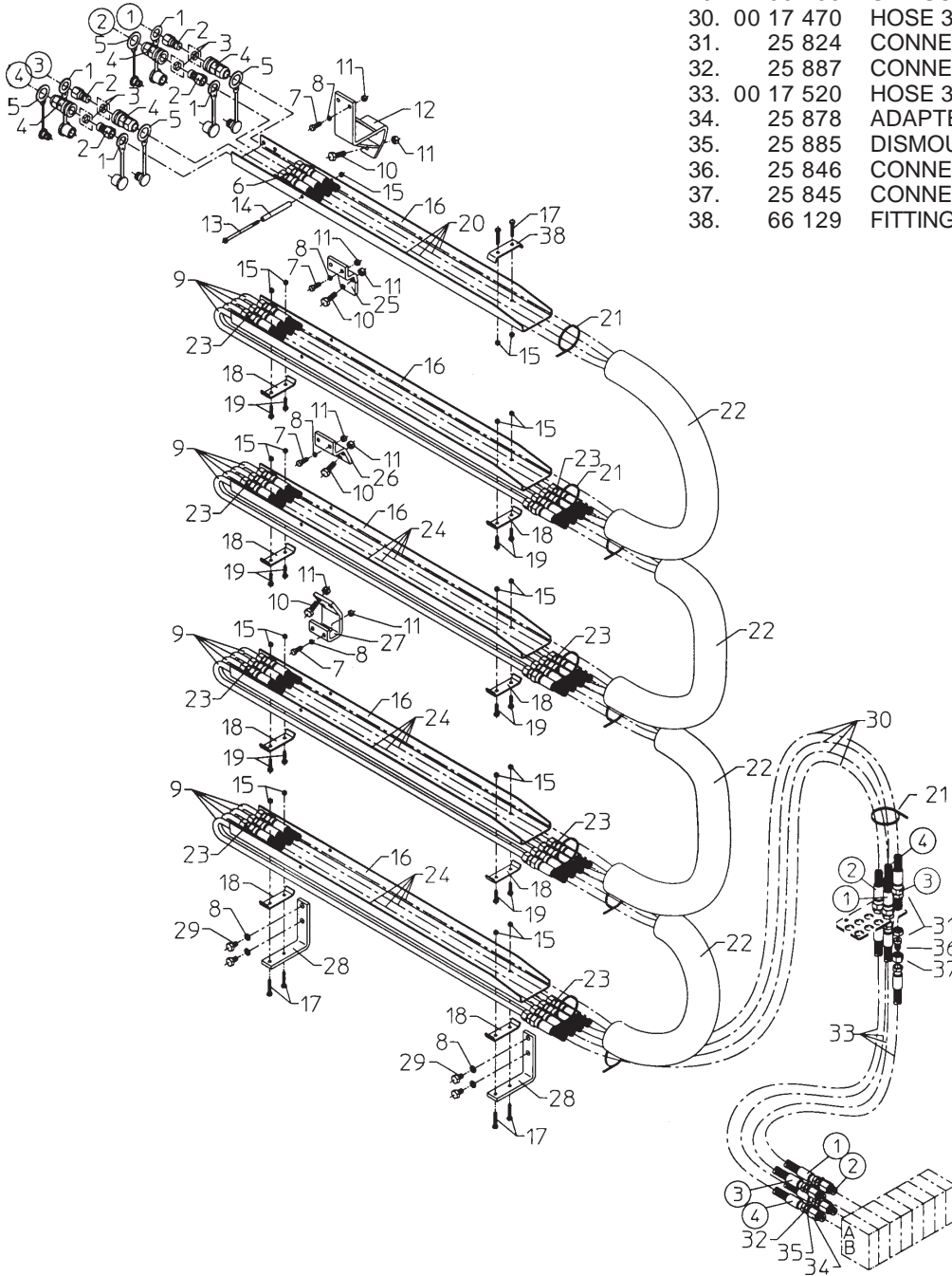
14.	12	93 834	PIPE	1
15.	30	884	LOCK NUT M6	15
16.	66	106	HOSE GUIDE	4
17.	30	116	STEEL BOLT M6X35	6
18.	66	105	FITTINGS	6
19.	30	115	STEEL BOLT M6X30	8
20.	62	860	HOSE 3/8"X2200 O/O	4
21.	27	274	CLIP	8
22.	62	592	PROTECTIVE COVER	3
23.	25	843	CONNECTION	24
24.	62	857	HOSE 3/8"X1150 O/O	8
25.	12	93 773	FITTINGS	1
26.	12	93 823	FITTINGS	1
27.	12	93 713	FITTINGS	1
28.	12	93 723	FITTINGS	2
29.	30	153	SET SCR M10X16	4
30.	00	17 470	HOSE 3/8"X3900 O/O	4
31.	25	824	CONNECTION	4
32.	25	887	CONNECTION	4
33.	00	19 520	HOSE 3/8"X2200 O/O	4
34.	25	878	ADAPTER	4
35.	25	885	DISMOUNTING RING	4
36.	25	846	CONNECTION	4
37.	25	845	CONNECTION	4
38.	66	129	FITTINGS	1



**EXTRA VALVES-4H**

13	10	110	MOUNTING KIT	1
13	10	150	MOUNTING KIT	1
1.	60	622	DUST CAP 3/8"M	4
2.	60	619	QUICK COUPLING 3/8"F	4
3.	60	635	SEAL KIT 3/8"	
4.	60	620	QUICK COUPLING 3/8"M	4
5.	60	621	DUST CAP 3/8"M	4
6.	25	831	CONNECTION	4
7.	30	155	SET SCR M10X25	8
8.	31	118	WASHER 10MM	12
9.	12	95 264	PIPE	16
10.	30	156	SET SCR M10X30	12
11.	30	888	LOCK NUT M10	20
12.	12	93 814	FITTINGS	1
13.	32	107	STEEL BOLT M6X120	1

14.	12	93 834	PIPE	1
15.	30	884	LOCK NUT M6	19
16.	66	106	HOSE GUIDE	5
17.	30	116	STEEL BOLT M6X35	6
18.	66	105	FITTINGS	8
19.	30	115	STEEL BOLT M6X30	12
20.	62	860	HOSE 3/8"X2000 O/O	4
21.	27	274	CLIP	10
22.	62	592	PROTECTIVE COVER	4
23.	25	843	CONNECTION	32
24.	62	857	HOSE 3/8"X1150 O/O	12
25.	12	93 773	FITTINGS	1
26.	12	93 823	FITTINGS	1
27.	12	93 713	FITTINGS	1
28.	12	93 723	FITTINGS	2
29.	30	153	SET SCR M10X16	4
30.	00	17 470	HOSE 3/8"X3900 O/O	4
31.	25	824	CONNECTION	4
32.	25	887	CONNECTION	4
33.	00	17 520	HOSE 3/8"X2450 O/O	4
34.	25	878	ADAPTER	4
35.	25	885	DISMOUNTING RING	4
36.	25	846	CONNECTION	4
37.	25	845	CONNECTION	4
38.	66	129	FITTINGS	1



# **IMT**

---

**MATERIAL HANDLING SYSTEMS**

**IOWA MOLD TOOLING CO., INC.**

**BOX 189, GARNER, IA 50438-0189**

**641-923-3711**

**TECHNICAL SUPPORT FAX: 641-923-2424**

**MANUAL PART NUMBER: 99904675**