












SPX312CP / SPX312C+

	2800 x 770 x 1600 mm 9'2" x 2'6" x 5'3"
---	--

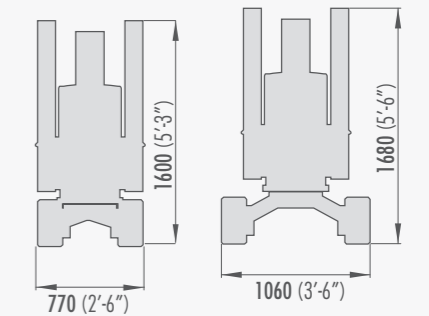
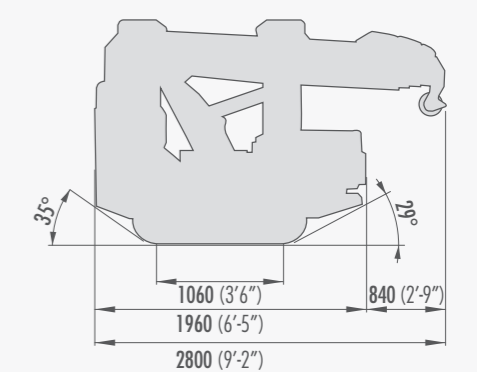
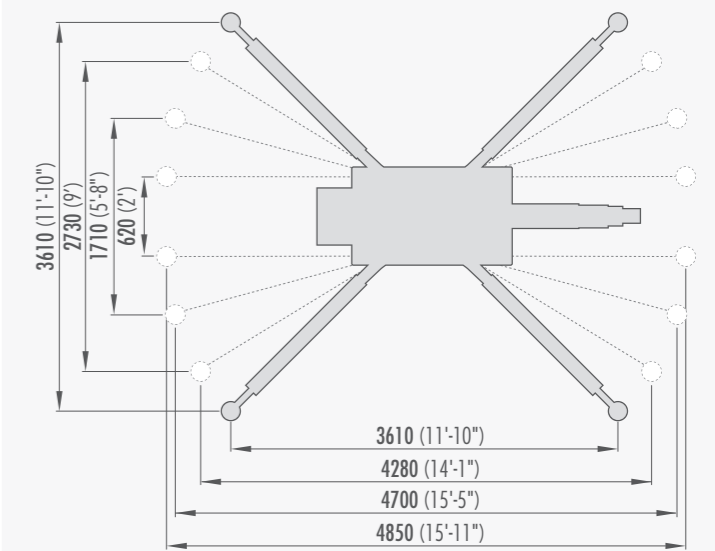
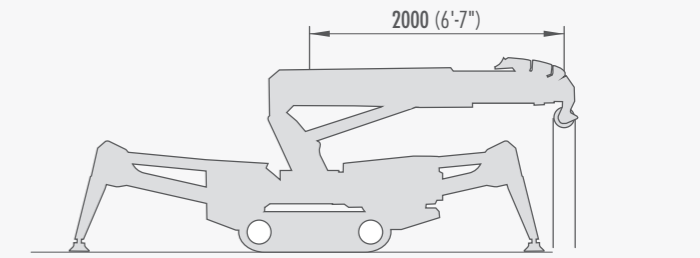
	kg	lbs
 SPX312CP	1800	3960

	/	0	0
	2T-D7	20	44
	PP400-4DX PP220-4DX AUX	45	100

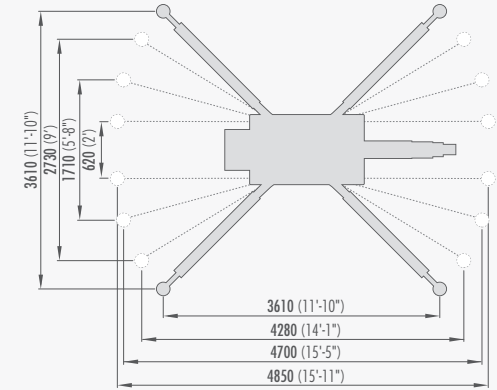
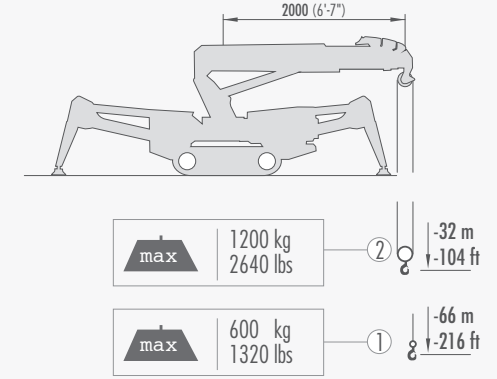
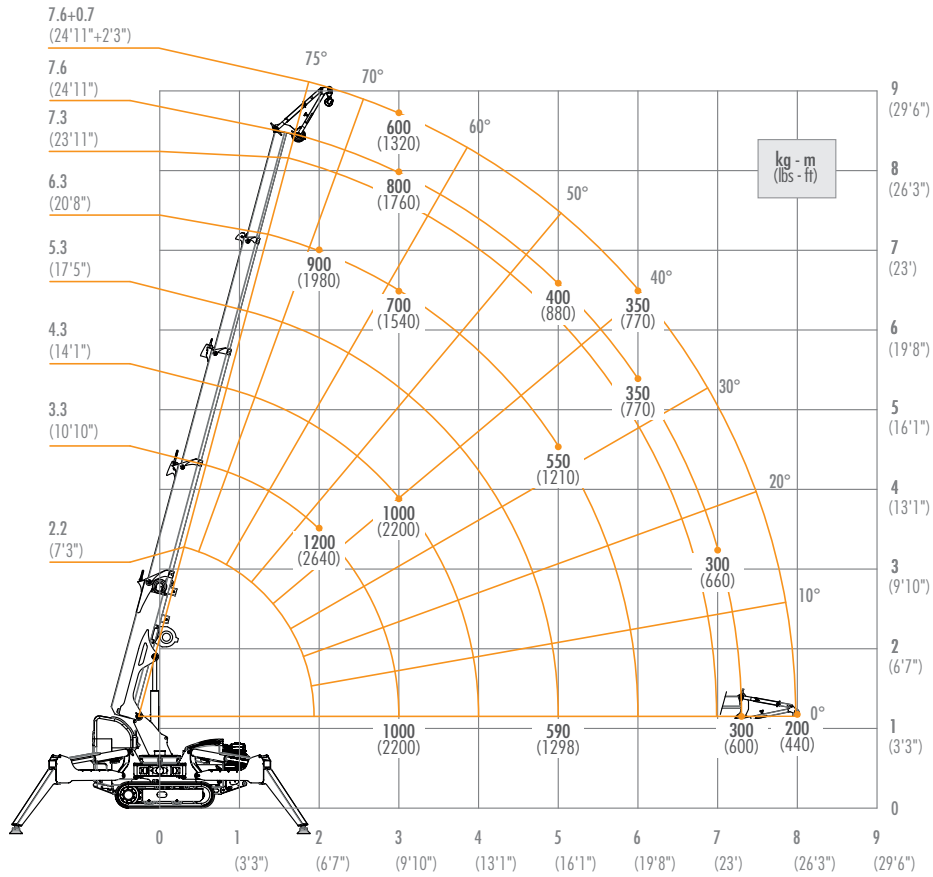
	JIB800GX	20	44
	JIB400.1MX	70	154

SPX312CP		YAMAHA MZ 360		
		1	kW	7,6 kW / 10,4Hp

SPX312C+		24V - DC SEP n°4 6V 240Ah	kW	3 kW / 4,1 Hp
----------	---	---------------------------------	-----------	---------------



SPX312 + JIB800GX



JIB400.1MX

RADIO REMOTE CONTROL

