



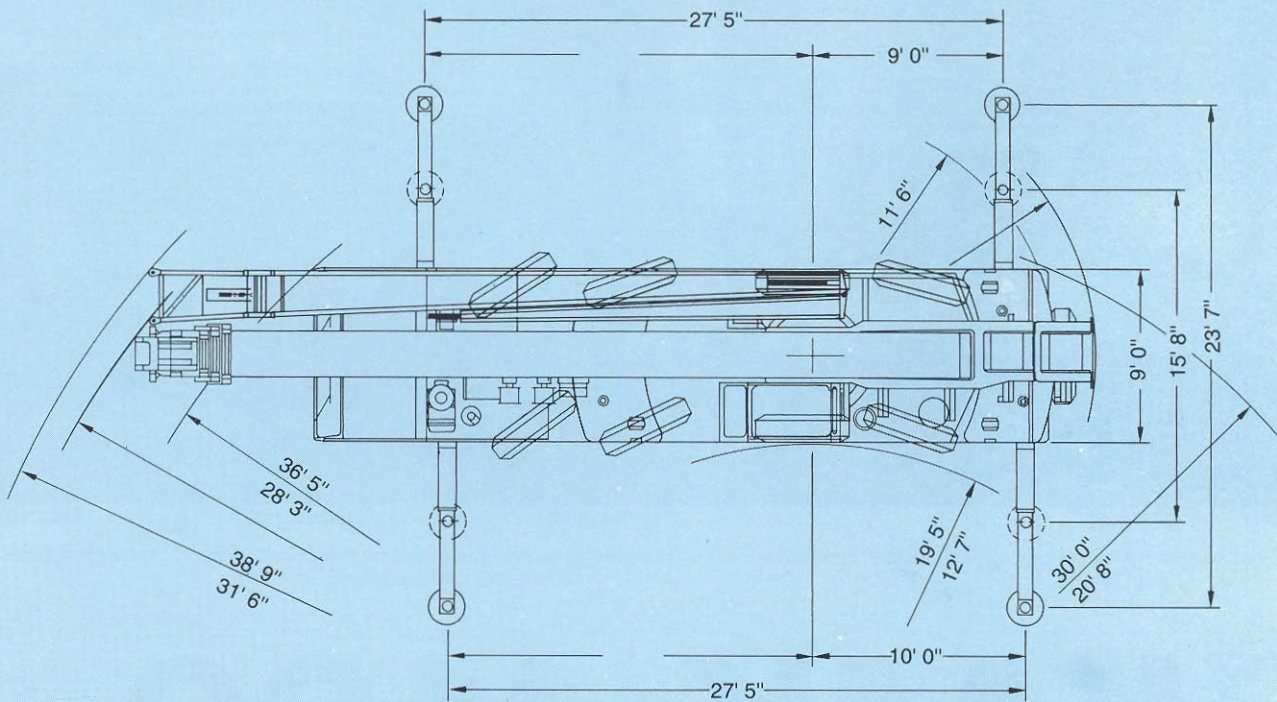
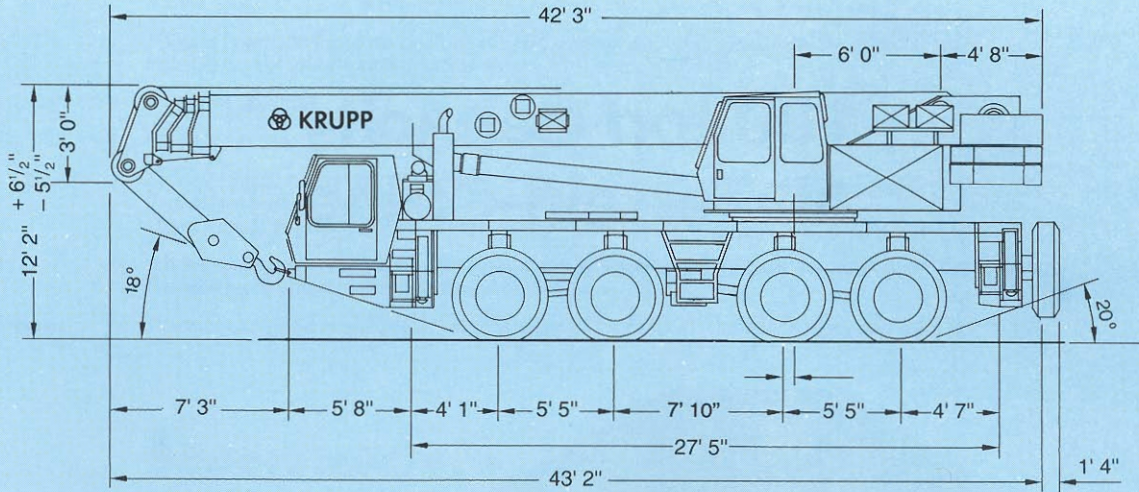
KRUPP

**100 ton Capacity
All-Terrain-Crane**



KMK 4100

Dimensions



Main Boom

Lifting Capacities in 1000 lbs



37 - 141 ft



360°

Counterweight 34,8* lbs

Radius	Boom length									ft
	37 ft*	63 ft	63 ft	75 ft	89 ft	89 ft	115 ft	115 ft	141 ft	
10	200.0									10
15	155.0	115.4	77.6	77.6						15
20	113.7	93.9	77.6	77.6	69.3	53.2	41.2			20
25	88.6	76.7	75.6	66.3	58.9	45.2	41.2	31.5		25
30		61.3	65.7	57.3	50.5	38.8	39.6	31.5	26.7	30
35		46.3	51.5	46.7	44.0	33.9	35.0	28.8	26.7	35
40		36.0	40.9	36.4	38.0	29.9	31.1	25.6	26.7	40
45		29.0	33.4	29.3	30.6	26.8	27.8	22.8	26.7	45
50		23.7	27.7	24.0	25.3	24.1	25.0	20.3	23.9	50
55				19.9	21.1	21.7	21.9	18.2	21.1	55
60				16.6	17.8	19.6	18.5	16.4	18.9	60
65				13.9	15.0	17.6	15.7	15.0	17.1	65
70					12.7	15.3	13.5	13.8	15.4	70
75					10.8	13.3	11.5	12.8	13.4	75
80							9.8	11.9	11.7	80
85							8.3	11.2	10.2	85
90							6.9	10.5	8.9	90
95							5.6	9.5	7.7	95
100									6.7	100
105									5.7	105
110									4.7	110
115									3.8	115
120									3.0	120
1. Tel.	0.0	1.0	0.0	1.0	1.0	0.0	1.0	0.0	1.0	1. Tel.
2. Tel.	0.0	0.0	0.5	0.5	0.5	1.0	1.0	1.0	1.0	2. Tel.
3. Tel.	0.0	0.0	0.5	0.0	0.5	1.0	1.0	1.0	1.0	3. Tel.
4. Tel.	0.0	0.0	0.0	0.0	0.0	0.0	0.0	1.0	1.0	4. Tel.

* over rear

Notes for lifting capacities

Rated loads do not exceed 85% of tipping load with the machine properly levelled on firm ground.

360° duties - on outriggers fully extended.

For safe crane operation due allowance must be made to compensate for high

winds, side load, pendulum action and other hazardous conditions. No side pull permitted.

Hook blocks, sling and/or boom attachments are considered part of load, and their weight must be deducted from the rated lifting capacity to determine the net

load. Boom must be extended in accordance with sequence as noted on lifting capacity chart.

Consult crane manual to determine weight reduction for load handling devices and boom attachments. Operate crane strictly in compliance with operator's manual.

Counterweight 21,1* lbs

Radius	Boom length									ft
	37 ft*	63 ft	63 ft	75 ft	89 ft	89 ft	115 ft	115 ft	141 ft	
10	180.0									10
15	149.7	115.4	77.6	77.6						15
20	107.7	92.4	77.6	77.6	69.3	53.2	41.2			20
25	76.7	71.5	75.6	66.3	58.9	45.2	41.2	31.5		25
30		50.2	55.8	50.6	50.5	38.8	39.6	31.5	26.7	30
35		37.3	42.5	37.7	39.4	33.9	35.0	28.8	26.7	35
40		28.8	33.4	29.1	30.5	29.9	31.1	25.6	26.7	40
45		22.8	27.0	23.1	24.5	26.8	25.3	22.8	26.7	45
50		18.1	22.3	18.4	19.7	22.7	20.6	20.3	22.8	50
55				14.7	16.0	18.9	16.8	18.2	19.1	55
60				11.8	13.0	15.8	13.8	16.4	16.0	60
65				9.4	10.6	13.3	11.4	15.0	13.5	65
70					8.6	11.3	9.4	13.3	11.4	70
75					6.7	9.5	7.6	11.6	9.7	75
80							5.9	10.1	8.2	80
85							4.5	8.7	6.9	85
90							3.2	7.6	5.7	90
95								6.6	4.5	95
100									3.5	100
105									2.5	105
1. Tel.	0.0	1.0	0.0	1.0	1.0	0.0	1.0	0.0	1.0	1. Tel.
2. Tel.	0.0	0.0	0.5	0.5	0.5	1.0	1.0	1.0	1.0	2. Tel.
3. Tel.	0.0	0.0	0.5	0.0	0.5	1.0	1.0	1.0	1.0	3. Tel.
4. Tel.	0.0	0.0	0.0	0.0	0.0	0.0	0.0	1.0	1.0	4. Tel.

* 1000 lbs

Main Boom

Lifting Capacities in 1000 lbs

Counterweight **11,0*** lbs

Radius	Boom length									ft
	37 ft*	63 ft	63 ft	75 ft	89 ft	89 ft	115 ft	115 ft	141 ft	
10	193.3									10
15	146.6	115.4	77.6	77.6						15
20	102.8	89.0	77.6	77.6	69.3	53.2	41.2			20
25	65.7	61.1	67.6	61.7	58.9	45.2	41.2	31.5		25
30		41.9	47.6	42.4	44.2	38.8	39.6	31.5	26.7	30
35		30.8	35.9	31.2	32.8	33.9	33.9	28.8	26.7	35
40		22.9	27.7	23.3	24.8	28.2	25.8	25.6	26.7	40
45		17.4	21.8	17.7	19.2	22.3	20.1	22.8	22.6	45
50		13.3	17.5	13.6	15.0	18.0	15.9	20.3	18.2	50
55				10.5	11.8	16.4	12.6	16.9	14.9	55
60				7.7	9.3	15.1	10.1	14.2	12.2	60
65				5.3	6.9	13.4	7.9	12.0	10.1	65
70					4.9	11.6	5.9	10.2	8.3	70
75						10.0	4.2	8.7	6.8	75
80								7.4	5.3	80
85								6.3	4.0	85
90								5.2		90
95								4.2		95
100										100
105										105
1. Tel.	0.0	1.0	0.0	1.0	1.0	0.0	1.0	0.0	1.0	1. Tel.
2. Tel.	0.0	0.0	0.5	0.5	0.5	1.0	1.0	1.0	1.0	2. Tel.
3. Tel.	0.0	0.0	0.5	0.0	0.5	1.0	1.0	1.0	1.0	3. Tel.
4. Tel.	0.0	0.0	0.0	0.0	0.0	0.0	0.0	1.0	1.0	4. Tel.

Main Boom + swing-away extension

Lifting Capacities in 1000 lbs



26/43 ft



360°

Counterweight **34,8*** lbs

Radius	Main boom 141 ft						ft
	26 ft/0°	26 ft/16°	26 ft/30°	43 ft/0°	43 ft/16°	43 ft/30°	
20							20
25	13.3						25
30	13.3	13.6	12.9	9.0			30
35	13.3	13.6	12.6	9.0			35
40	13.3	13.6	12.3	9.0	8.2		40
45	13.3	13.6	12.0	9.0	7.9	6.6	45
50	13.3	13.6	11.8	9.0	7.7	6.4	50
55	13.3	13.3	11.5	9.0	7.4	6.3	55
60	13.3	12.9	11.3	9.0	7.2	6.1	60
65	13.3	12.6	11.1	8.7	7.0	6.0	65
70	13.3	12.3	10.9	8.4	6.8	5.9	70
75	12.9	12.0	10.8	8.1	6.6	5.7	75
80	12.2	11.7	10.6	7.8	6.4	5.6	80
85	11.1	11.2	10.4	7.5	6.2	5.5	85
90	9.8	10.3	10.1	7.3	6.1	5.4	90
95	8.6	9.1	9.3	7.1	5.9	5.3	95
100	7.6	8.0	8.2	6.8	5.8	5.3	100
105	6.6	7.0	7.2	6.6	5.7	5.2	105
110	5.7	6.1	6.3	6.4	5.6	5.1	110
115	4.8	5.2	5.4	5.7	5.4	5.0	115
120	4.0	4.3	4.5	4.9	5.4	5.0	120
125	3.2	3.5	3.7	4.2	4.8	5.0	125
130	2.5	2.8	2.9	3.5	4.1	4.4	130
135	1.9	2.1	2.2	2.8	3.4	3.7	135
140	1.3	1.5	1.5	2.2	2.7	3.0	140
145				1.7	2.1	2.3	145
150				1.2	1.5	1.7	150
155						1.1	155
1. Tel.	1.0	1.0	1.0	1.0	1.0	1.0	1. Tel.
2. Tel.	1.0	1.0	1.0	1.0	1.0	1.0	2. Tel.
3. Tel.	1.0	1.0	1.0	1.0	1.0	1.0	3. Tel.
4. Tel.	1.0	1.0	1.0	1.0	1.0	1.0	4. Tel.

* 1000 lbs



Main Boom + swing-away extension

Lifting Capacities in 1000 lbs



26 / 43 ft



360°

Counterweight 21,1* lbs

Radius ft	Main boom 141 ft						ft
	26 ft / 0°	26 ft / 16°	26 ft / 30°	43 ft / 0°	43 ft / 16°	43 ft / 30°	
20							20
25	13.3						25
30	13.3	13.6	12.9	9.0			30
35	13.3	13.6	12.6	9.0			35
40	13.3	13.6	12.3	9.0	8.2		40
45	13.3	13.6	12.0	9.0	7.9	6.6	45
50	13.3	13.6	11.8	9.0	7.7	6.4	50
55	13.3	13.3	11.5	9.0	7.4	6.3	55
60	13.3	12.9	11.3	9.0	7.2	6.1	60
65	13.3	12.6	11.1	8.7	7.0	6.0	65
70	12.5	12.3	10.9	8.4	6.8	5.9	70
75	10.7	11.4	10.8	8.1	6.6	5.7	75
80	9.2	9.8	10.2	7.8	6.4	5.6	80
85	7.9	8.4	8.8	7.5	6.2	5.5	85
90	6.7	7.2	7.5	7.3	6.1	5.4	90
95	5.6	6.1	6.4	6.4	5.9	5.3	95
100	4.5	5.1	5.4	5.5	5.8	5.3	100
105	3.6	4.1	4.4	4.6	5.4	5.2	105
110	2.7	3.2	3.4	3.7	4.6	5.1	110
115		2.3	2.6	2.9	3.7	4.2	115
120				2.2	2.9	3.4	120
125					2.2	2.6	125
1. Tel.	1.0	1.0	1.0	1.0	1.0	1.0	1. Tel.
2. Tel.	1.0	1.0	1.0	1.0	1.0	1.0	2. Tel.
3. Tel.	1.0	1.0	1.0	1.0	1.0	1.0	3. Tel.
4. Tel.	1.0	1.0	1.0	1.0	1.0	1.0	4. Tel.

* 1000 lbs

Counterweight 11,0* lbs

Radius ft	Main boom 141 ft						ft
	26 ft / 0°	26 ft / 16°	26 ft / 30°	43 ft / 0°	43 ft / 16°	43 ft / 30°	
20							20
25	13.3						25
30	13.3	13.6	12.9	9.0			30
35	13.3	13.6	12.6	9.0			35
40	13.3	13.6	12.3	9.0	8.2		40
45	13.3	13.6	12.0	9.0	7.9	6.6	45
50	13.3	13.6	11.8	9.0	7.7	6.4	50
55	13.3	13.3	11.5	9.0	7.4	6.3	55
60	13.3	12.9	11.3	9.0	7.2	6.1	60
65	11.2	12.1	11.1	8.7	7.0	6.0	65
70	9.4	10.1	10.7	8.4	6.8	5.9	70
75	7.8	8.5	9.0	8.1	6.6	5.7	75
80	6.5	7.1	7.6	7.3	6.4	5.6	80
85	5.2	5.9	6.3	6.1	6.2	5.5	85
90	4.0	4.7	5.1	5.0	6.1	5.4	90
95		3.6	4.0	4.0	5.1	5.3	95
100					4.1	4.8	100
105						3.8	105
110							110
115							115
120							120
125							125
130							130
135							135
140							140
145							145
150							150
155							155
1. Tel.	1.0	1.0	1.0	1.0	1.0	1.0	1. Tel.
2. Tel.	1.0	1.0	1.0	1.0	1.0	1.0	2. Tel.
3. Tel.	1.0	1.0	1.0	1.0	1.0	1.0	3. Tel.
4. Tel.	1.0	1.0	1.0	1.0	1.0	1.0	4. Tel.

* 1000 lbs

Weights / Working speeds



Axle	1	2	3	4	Total weight
lbs	26,5	26,5	26,5	26,5	106

incl. 10.500 lbs Counterweight



Lifting capacity	Sheaves	Parts of line	Weight lbs
50	3	1 - 7	1430
20	1	1 - 3	660



Gear	1	2	3	4	5	R	Gradeability max.
On-road (mph)	8.0	12,5	21	30	43	9	
Off-road (mph)	5	8	13,8	19	27	5,7	65%
Tires	14.00 R 25						



Drives	ininitely variable	Rope diameter / Rope length	Max. single line pull
Main hoist	0 - 390 ft / min single line	19 mm (3/4") 780 ft	13400 lbs
Auxiliary hoist	0 - 390 ft / min single line	19 mm (3/4") 590 ft	13400 lbs
Swing gear	0 - 1,9 min ⁻¹		
Boom elevation	approx. 65 seconds to reach - 3° + 84° boom angle		
Telescoping	approx. 180 seconds for boom length from 37 - 141 ft		



Telescopic boom



On outriggers



Working range



Axle load



Hook blocks and hook



Crane movements



Speed



Boom extension

Carrier

Chassis:	Special KRUPP 4-axle carrier, all-welded torsion-resistant box-type construction in high strength steel.
Outriggers:	4 double hydraulically telescoping beams with vertical cylinders and outrigger pads. Independent horizontal and vertical movement control on each side of the chassis. Levelling device.
Engine:	Mercedes-Benz OM 442 diesel, 8 cylinders, water-cooled, with exhaust gas turbocharger, 269 kW (366 HP) at 2100 min ⁻¹ (DIN 6271 IFN). Max. torque: 1619 Nm at 1000 – 1600 min ⁻¹ . Tank capacity: approx. 125 gal.
Transmission:	ZF 5-speed-automatic 5 HP 600.
Transfer case:	Transfer case with 2 speeds and longitudinal differential lock.
Axle lines:	4 axle lines; 1, 2, and 4 are driven steering axle lines, the 3rd axle line is rigid.
Suspension:	All axle lines with lockable hydropneumatic suspension. Level regulation. Suspension range: +6 1/2" / -5 1/2". Possible combinations for transverse slope.
Tires:	8 tires 14.00 R 25.
Steering:	Dual-circuit, stand-by steering pump.
Brakes:	Service brake: pneumatic dual-circuit, acting on all wheels, air dryer. Permanent brake: hydraulic retarder, integrated with automatic powershift. Hand brake: pneumatically operated spring-loaded brake acting on 2nd and 4th axle line.
Driver's cab:	Aluminium , 2-man-design, safety glass, driver's seat with hydraulic suspension, motor-dependent hot-water heating. Complete instrumentation and driving controls.
Electrical system:	Three-phase generator 28 V/55 A, 2 batteries 12 V/170 Ah, lighting system and signals.

Superstructure

Frame:	Torsion-resistant welded construction in high strength steel.
Engine:	Mercedes-Benz OM 336 A diesel, 6 cylinders, water-cooled, 126 kW (171 HP) at 2400 min ⁻¹ (DIN 6271 IFN). Max. torque 560 Nm at 1500 – 1600 min ⁻¹ . Tank capacity: 50 gal.
Hydraulic system:	3 separate circuits. Tank capacity: 250 gal hydraulic oil.
Control system:	Infinite variation of all crane movements by control levers with automatic reset to zero.
Main hoist:	Rope drum with special grooving and integrated planetary gear with multiple-disc brake and axial piston motor.
Boom extension:	1 cylinder. Boom angle from -3° to +84°.
Swing:	Axial-piston fixed displacement motor, planetary gear and holding brake.
Cab:	Aluminium , full vision, safety glass, adjustable operator's seat with hydraulic suspension, engine-driven hot-water-heater, instrumentation and operating controls for craneoperating.
Safety installations:	Hoist and lowering limit switch, pipe break safety valves, pressure relief valves.
Telescopic boom:	Welded construction in high strength steel, 1 pivot basic section, 4 telescopic sections. Total boom length: 141 ft, all-hydraulic extension.
Electrical system:	Three-phase generator 28 V/55 A, 2 batteries 12 V/143 Ah.

Additional equipment

Drive:	8 x 8 x 6/8 x 6 x 8/8 x 8 x 8
Tires:	8 tires, 16.00 R 25. / 20.5 R 25.
Swing-away lattice:	2-stage, stowing alongside boom, 26 – 43 ft.
Aux. hoist:	2nd hoisting gear.
Driver's cab:	Motor-independent heating with engine preheater.
Safe load indicator:	Electronic load moment safety device (type EKS 83) with automatic cut-out and digital display for actual and admissible load, radius and various working conditions.



KRUPP MOBILE CRANE NORTH AMERICA

210 VANDALE DR. HOUSTON (PITTSBURGH), PA 15142 PHONE 412-746-9360 FAX 412-746-9350

PITTSBURGH, PA • HOUSTON, TX • ATLANTA, GA • SEATTLE, WA • STONEY CREEK, ONTARIO