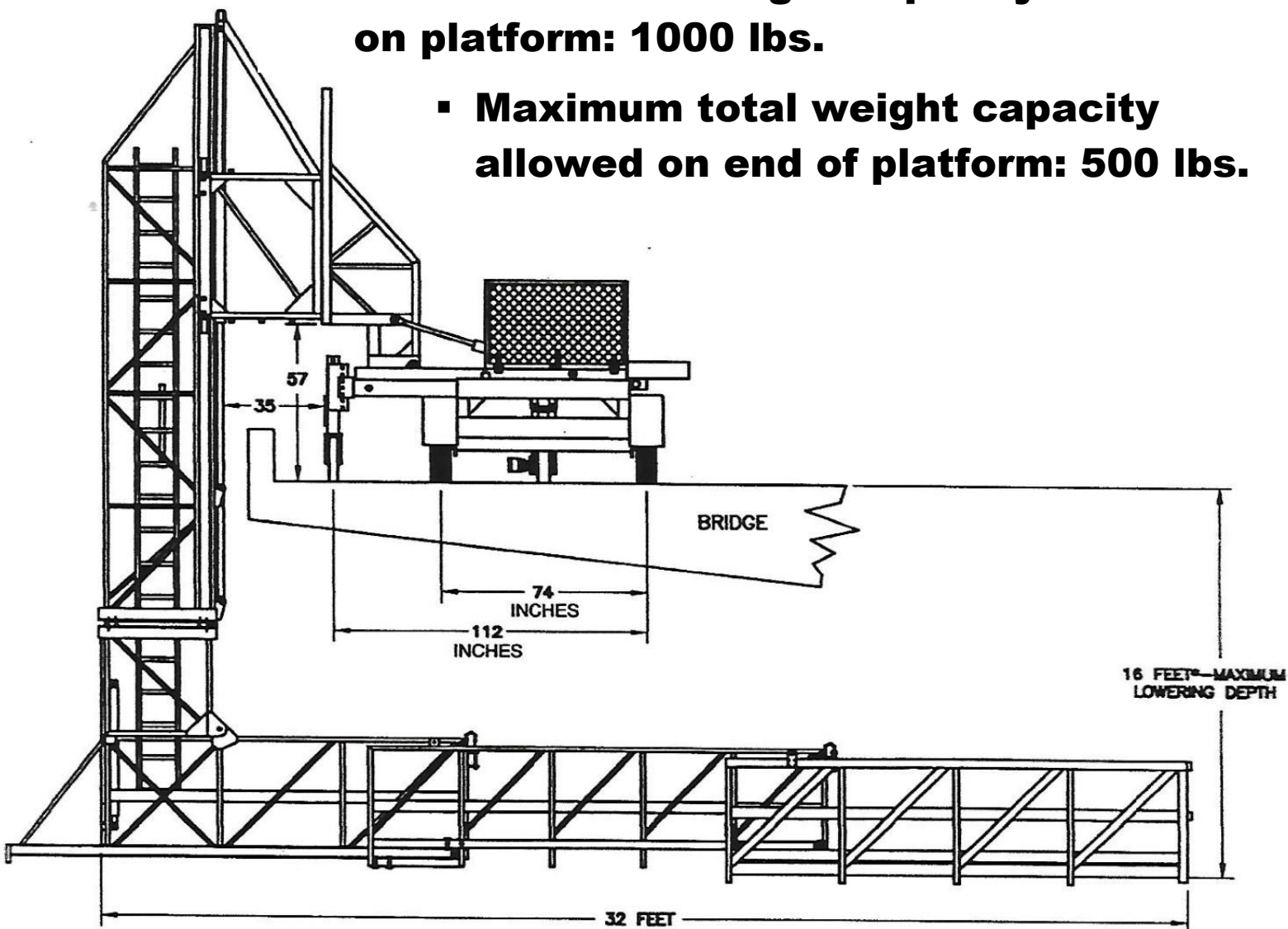


## MAXIMUM WEIGHT CAPACITIES – DO NOT EXCEED

- Maximum total weight capacity allowed on platform: 1000 lbs.
- Maximum total weight capacity allowed on end of platform: 500 lbs.



Anderson Crane & Bridge Technologies, Inc. | Anderson Hydra Platforms, Inc.

7703 Park Place Road | York, SC 29754

(803) 366 – 8195 | [www.inspectabridge.com](http://www.inspectabridge.com)