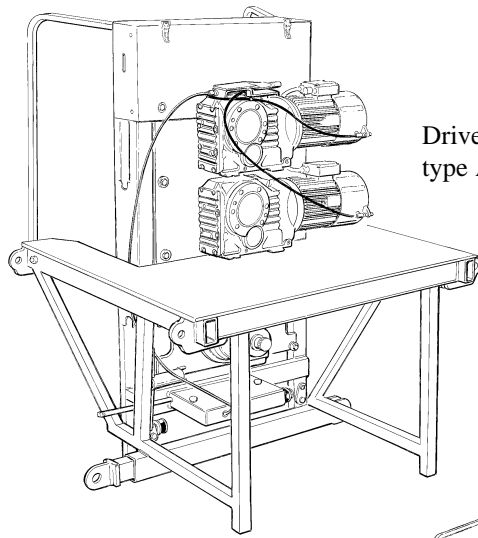
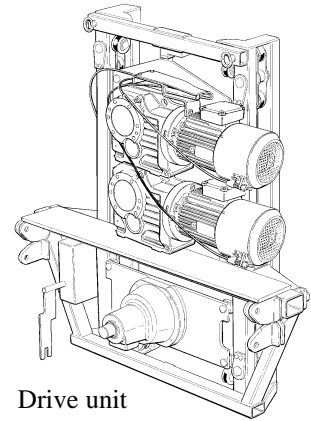


# ALIMAK APF

## Mast Climbing Work Platform

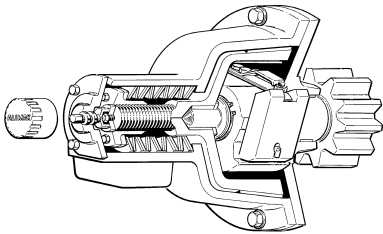


Drive unit  
type APF-50A

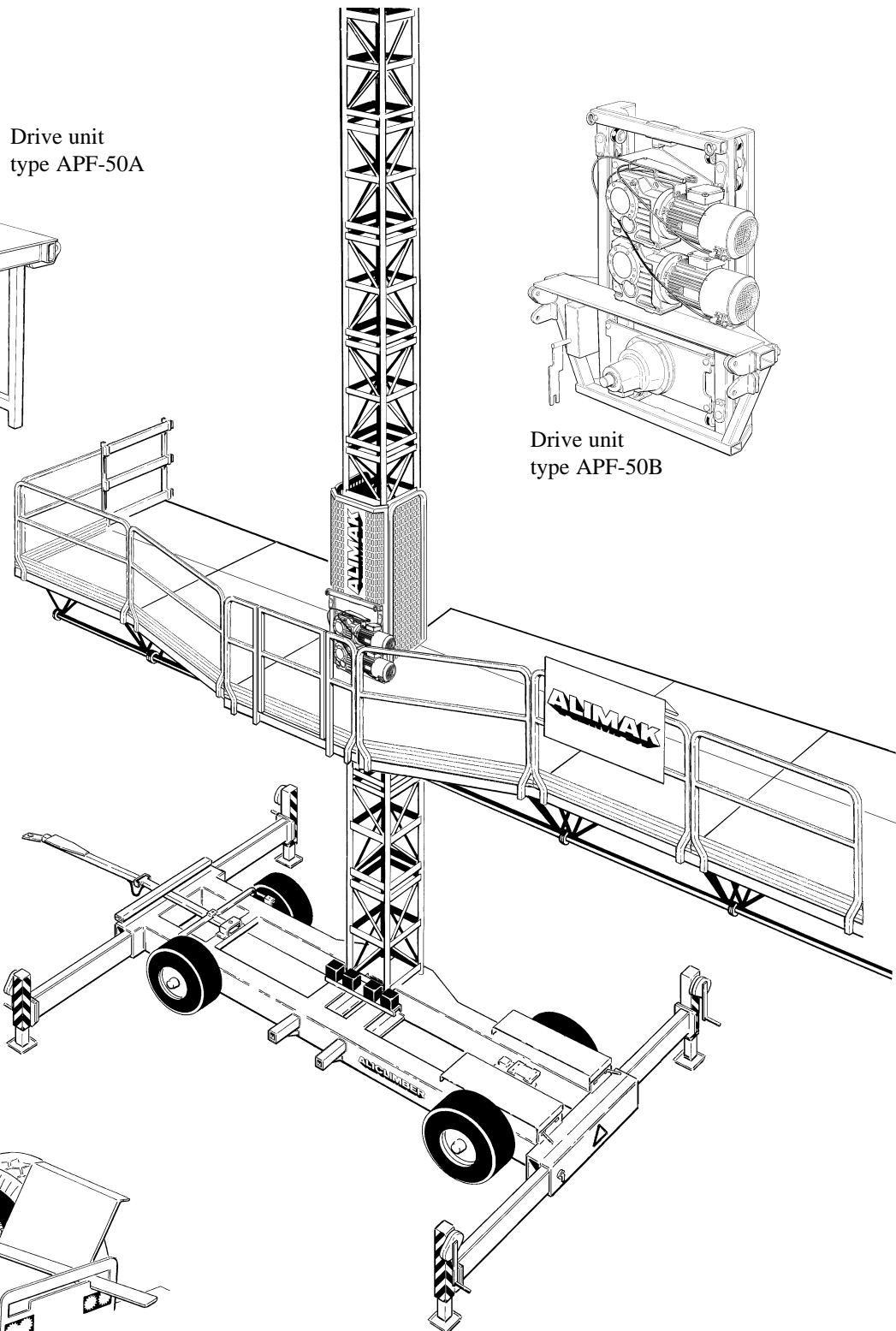
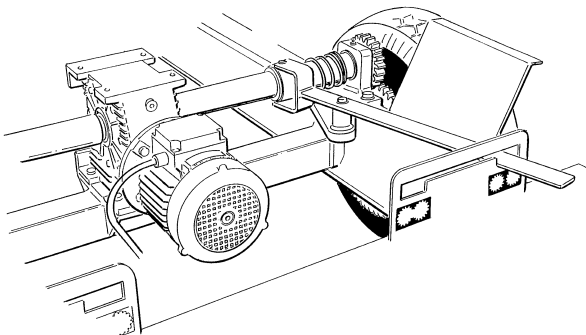


Drive unit  
type APF-50B

Safety device type GF



Optional vertical drive



### Mast Climbing Work Platform modular system

## Technical data, Metric units (50Hz)

Capacity	APF-50A		APF-50B	
	Single	Twin	Single	Twin
Min. / Max. platform length	4.4 m / 19.4 m	11.8 m / 43.3 m	–	6.0 m / 28.5 m
Max. pay-load capacity	3970 kg at 4.4 m 2490 kg at 19.4 m	7800 kg at 11.8 m 4690 kg at 43.3 m	–	8580 kg at 6.0 m 6360 kg at 28.5 m
Vertical travel speed		12 m/min.	–	12 m/min.
Horizontal travel speed with optional motor propelled chassis		8 m/min.	–	8 m/min.
Max. lifting height, untied mast with 4 completely extended outriggers on mobile chassis. Outdoor / Indoor installation		22 m outdoors 32 m indoors	–	22 m outdoors 32 m indoors
Max. lifting height, tied mast Increased lifting height on request		100 m	–	100 m
Tie distance when installed on mobile chassis		15 m each	–	15 m each
Tie distance when installed on pedestal base		1 <sup>st</sup> = 3 m, 2 <sup>nd</sup> = 6 m, 3 <sup>rd</sup> = 9 m remaining 15 m	–	3 - 6 - 9 and remaining 15 m
Top overhang in Operation. Wind speed maximum 12.5 m/sec.		6 m	–	6 m
Top overhang during Erection. Wind speed maximum 8 m/sec.		15 m	–	15 m

### Dimensions and weights

Lowest base unit transport height:				
– on pedestal base		2300 mm		2300 mm
– on mobile chassis		2650 mm		2650 mm
Height to platform from ground:				
– on pedestal base		1250 mm		1250 mm
– on mobile chassis		1500 mm		1500 mm
1.5 m platform section: weight		135 kg		135 kg
0.82 m platform section: weight		85 kg		85 kg
Mast section weight:				
length 1.508 m with 1 rack / 2 racks.		112 kg / 128 kg		112 kg / 128 kg
Mobile chassis: weight		1940 kg/pce.		1940 kg/pce.
Pedestal base: weight		320 kg/pce.		320 kg/pce.
Drive unit: weight		670 kg/pce.		610 kg/pce.

### Electrical data

Power – lift machinery	2 x 4.0 kw	4 x 4.0 kw	–	4 x 4.0 kw
Power – travel machinery	1 x 1.5 kw	2 x 1.5 kw	–	2 x 1.5 kw
Voltage / Frequency		380 – 420V 50Hz	–	380 – 420V 50Hz
Control voltage / Frequency		230V 50 Hz	–	230V 50 Hz
Starting current (480V 60Hz)	2 x 40A	4 x 40A	–	4 x 40A
Power consumption	2 x 8kVA	4 x 8kVA	–	4 x 8kVA
Power supply fuses	32A	63A	–	63A

# Technical data, Imperial units (60Hz)

Capacity	APF-50A		APF-50B	
	Single	Twin	Single	Twin
Min. / Max. platform length	14.5 ft. / 64 ft.	39 ft. / 142 ft.	–	20 ft. / 93.5 ft.
Max. pay-load capacity	9,040 lbs. at 14.5 ft.	17,680 lbs. at 39 ft.	–	19,400 lbs. at 20 ft.
	5,780 lbs. at 64 ft.	10,820 lbs. at 142 ft.	–	14,510 lbs. at 93.5 ft.
Vertical travel speed	39 fpm.		–	39 fpm.
Horizontal travel speed with optional motor propelled chassis	30 fpm.		–	30 fpm.
Max. lifting height, untied mast with 4 completely extended outriggers on mobile chassis. Outdoor / Indoor installation	72 ft. outdoors		–	72 ft. outdoors
	105 ft. indoors			105 ft. indoors
Max. lifting height, tied mast	330 ft.		–	330 ft.
Increased lifting height on request				
Tie distance when installed on mobile chassis	50 ft. each		–	50 ft. each
Tie distance when installed on pedestal base	1 <sup>st</sup> = 10', 2 <sup>nd</sup> = 20', 3 <sup>rd</sup> = 30' remaining 50 ft.		–	10' - 20' - 30' and remaining 50 ft.
Top overhang in Operation. Wind speed maximum 28 mph.	20 ft.		–	20 ft.
Top overhang during Erection. Wind speed maximum 34 mph.	50 ft.		–	50 ft.

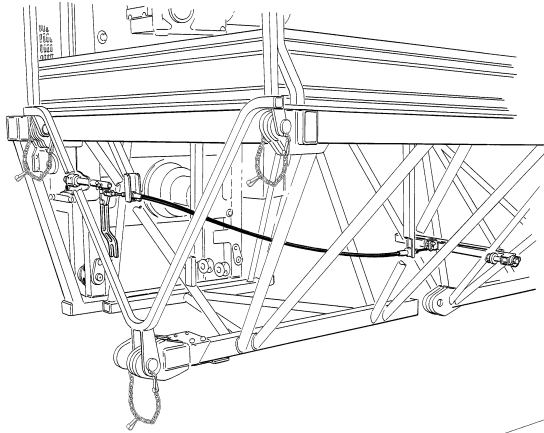
## Dimensions and weights

Lowest base unit transport height:				
– on pedestal base	7' 6 5/8"			7' 6 5/8"
– on mobile chassis	8' 8 3/8"			8' 8 3/8"
Height to platform from ground:				
– on pedestal base	4' 1 1/4"			4' 1 1/4"
– on mobile chassis	4' 11"			4' 11"
1.5 m platform section: weight	298 lbs.			298 lbs.
0.82 m platform section: weight	188 lbs.			188 lbs.
Mast section weight:				
length 1.508 m with 1 rack / 2 racks.	247 / 282 lbs.			247 / 282 lbs.
Mobile chassis: weight	4300 lbs./pce.			4300 lbs./pce.
Pedestal base: weight	706 lbs./pce.			706 lbs./pce.
Drive unit: weight	1478 lbs./pce.			1345 lbs./pce.

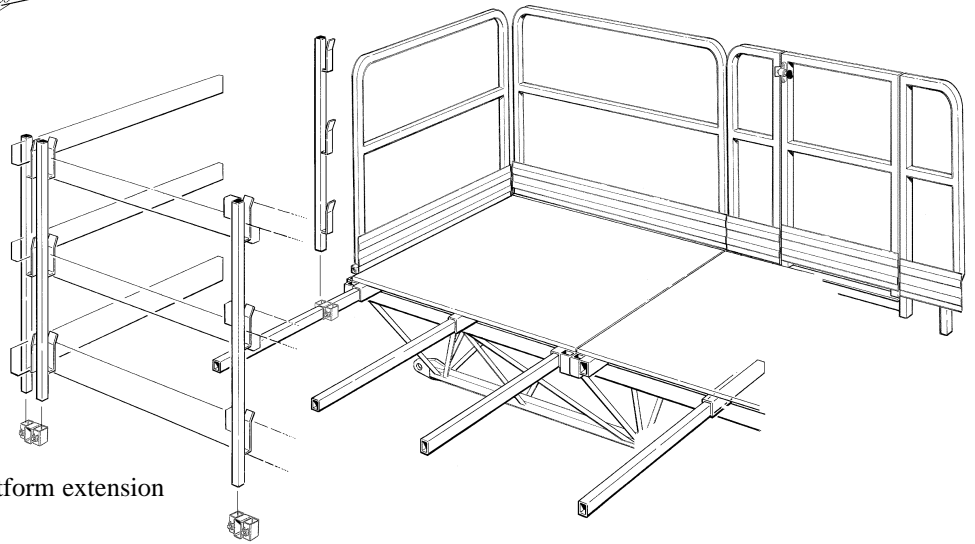
## Electrical data

Power – lift machinery	2 x 4.6 kw	4 x 4.6 kw	–	4 x 4.6 kw
Power – travel machinery	1 x 1.5 kw	2 x 1.5 kw	–	2 x 1.5 kw
Voltage/Frequency	440 – 480V 60Hz		–	440 – 480V 60Hz
Control voltage/Frequency	230V 60 Hz		–	230V 60 Hz
Starting current (480V 60Hz)	2 x 40A	4 x 40A	–	4 x 40A
Power consumption	2 x 5kVA	4 x 5kVA	–	4 x 5kVA
Power supply fuses	30A	60A	–	60A
Outlet for hand tool	1 Phase 110V 16A		–	1 Phase 110V 16A
Outlet for hand tool	1 Phase 240V 10A		–	1 Phase 240V 10A

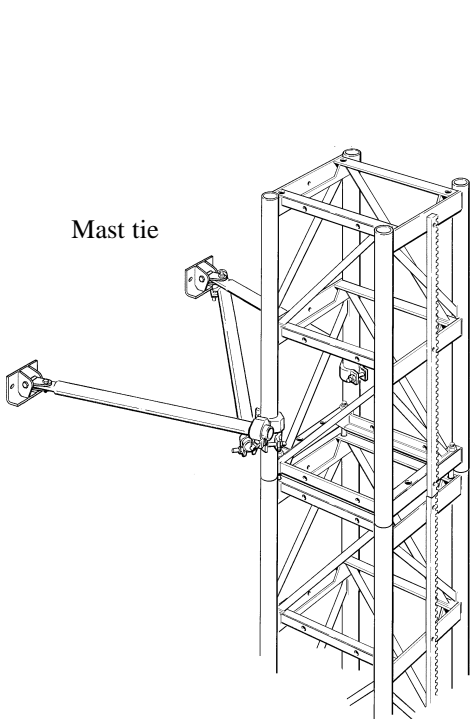
Platform section for around corner installations



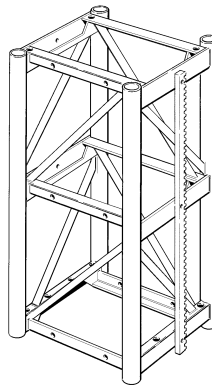
Platform sections with railing



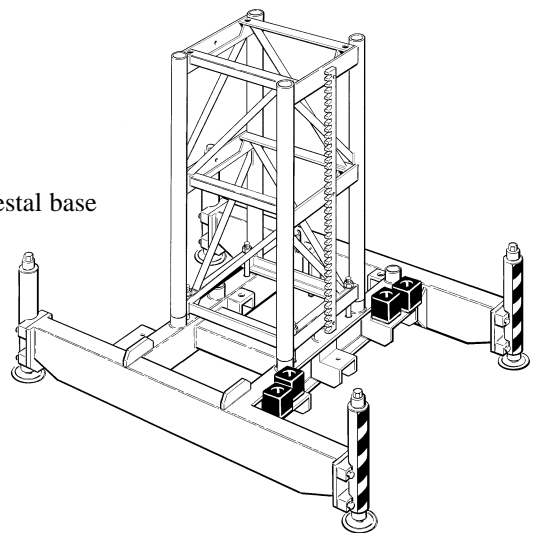
Accessories for platform extension



Mast section



Pedestal base



Alimak AB, P.O. Box 720, SE-931 27 Skellefteå, Sweden. Tel. +46 910 87000. Fax +46 910 56690.

Pictures are illustrative only and do not necessarily show the configuration of products on the market at the given point in time. Products must be used in conformity with safe practice and applicable statues, regulations, codes and ordinances. Specifications of products and equipment shown herein are subject to change without notice.

Printed in Sweden