

# PK 65002

*Performance*

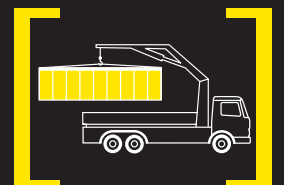
**PALFINGER**



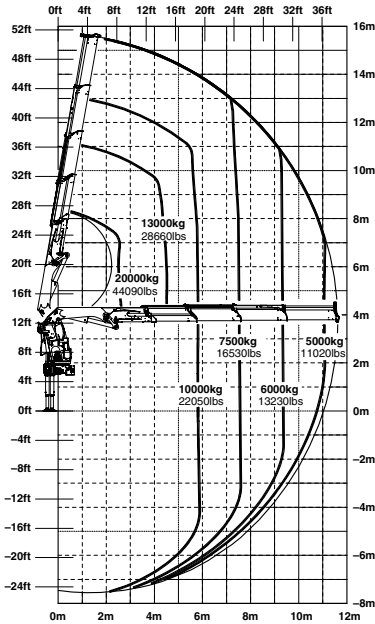
## THE POWERHOUSE IN THE HEAVY-DUTY LEAGUE

The PK 65002 *Performance* stands out by virtue of its enormous lifting capacity and extremely low dead weight. The endless slewing mechanism with slewing ring endows the crane with maximum manoeuvrability.

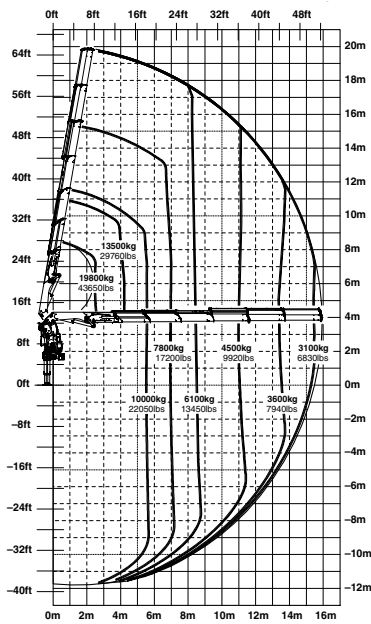
Equipment features installed as standard such as the double linkage system, generously dimensioned hydraulic lines and return oil utilisation make for efficiency and a high working speed.



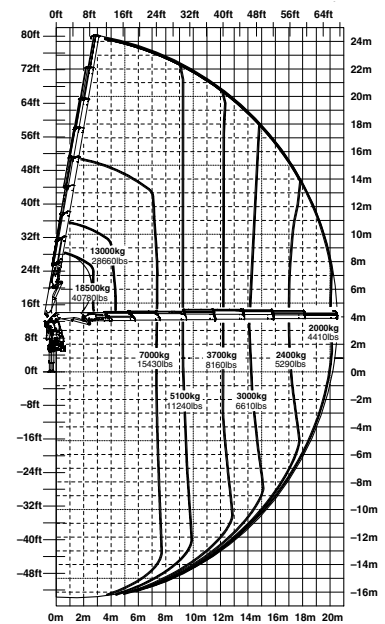
**PK 65002 Performance C**



**PK 65002 Performance E**

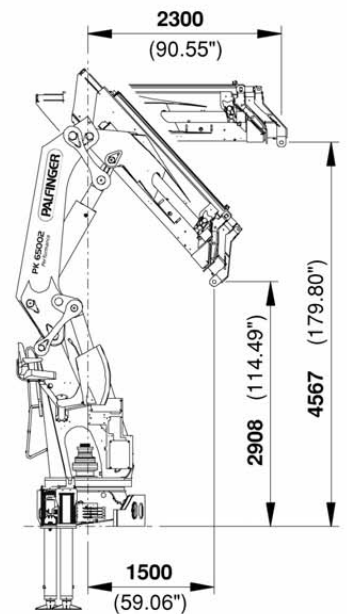
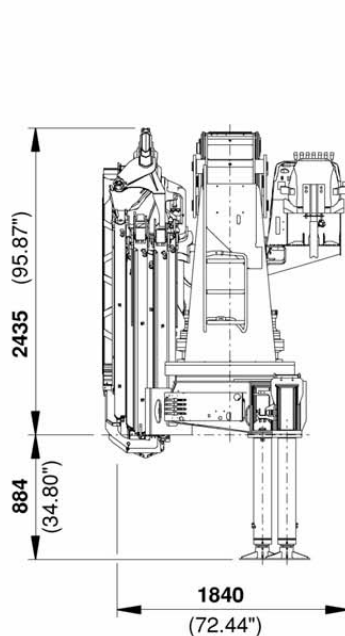
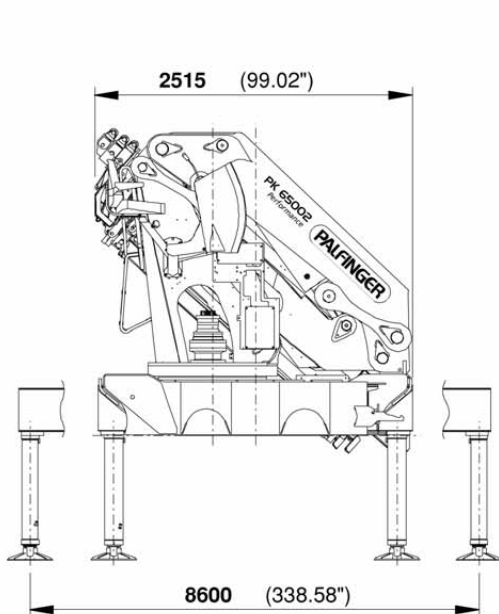


**PK 65002 Performance G**



PK 65002 Performance		
Technical Specifications (DIN 15018 H1-B3)		
Max. lifting moment	61.4 mt/602.3 kNm	444070 ft.lbs
Max. lifting capacity	22000 kg/215.8 kN	48500 lbs
Max. hydraulic outreach	20.5 m	67' 3"
Max. outreach (with fly-jib)	29.7 m	97' 5"
Slewing angle	endless	
Slewing torque		
one slewing gear	4.5 mt/44.1 kNm	32510 ft.lbs
two slewing gears	7.0 mt/68.7 kNm	50650 ft.lbs

PK 65002 Performance		
Standard crane		
Outreach	7.7 m	25' 3"
Stabilizer spread	8.6 m	28' 3"
Fitting space required	1.84 m	6' 0"
Width folded	2.5 m	8' 3"
Max. operating pressure	300 bar	4350 psi
Recommended pump capacity with RC- and LS-system	from 80 l/min to 100 l/min	17.6 imp.gal./min to 22.0 imp.gal./min
Dead weight standard crane	5830 kg	12850 lbs



Applications shown in the leaflet do not always correspond to the standard specifications. Design and specification are subject to change without prior notice. Country-specific regulations must be considered for the crane installation.