



NEW RK SERIES

RK250-6

Rough Terrain Crane

Max. Lifting Capacity: 25 ton x 3.5 m

UPPER STRUCTURE

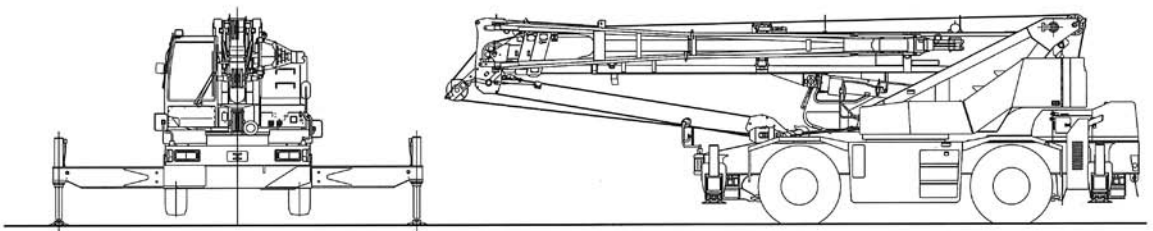
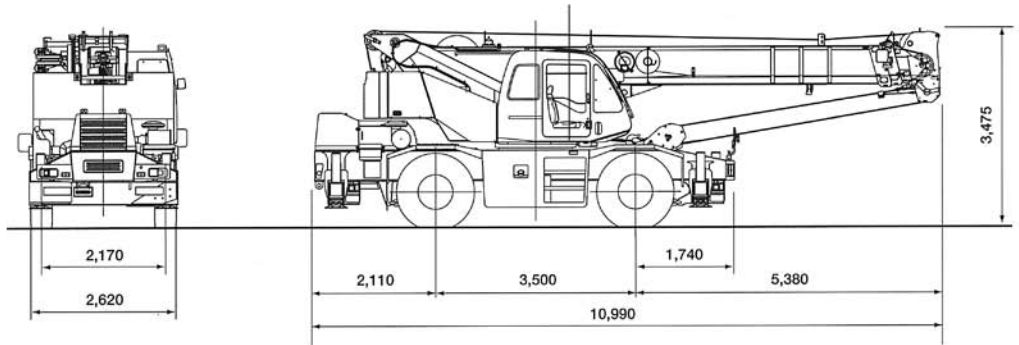
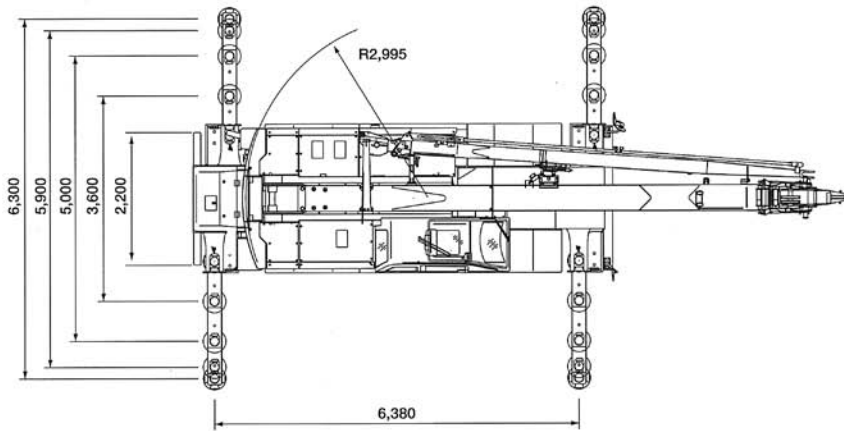
Crane Performance		
Max. rated load	9.32 m boom	25,000kg×3.5m (7-line)
	16.42 m boom	19,000kg×4.0m (6-line)
	23.52 m boom	12,500kg×5.0m (4-line)
	30.62 m boom	7,000kg×8.0m (4-line)
	7.5 m jib (max.)	3,000kg (single-line)
	12.0 m jib (max.)	2,000kg (single-line)
	Aux. sheave (max.)	4,000kg (single-line)
Main boom length	9.32m to 30.62m	
Jib length	7.5m/12.0m	
Hook height	31.9m (main hook), 43.6m (jib hook)	
Operating radius	28.2m (boom), 35.5m (jib)	
Line speed	Main	125 m/min (at 4th layer)
	Aux	108 m/min (at 2nd layer)
Boom telescoping speed	90.0 sec/21.3m	
Boom raising speed	48.7 sec/0° to 82.3°	
Swing speed	2.81min ⁻¹ (2.81rpm)	
Boom Structure		
Main boom	Four section, box construction, 2nd section independently telescoping, and 3rd and 4th sections simultaneously telescoping	
Jib	Compressed truss, box construction, 2-step drawing up type, Power set jib, 3-step variable tilt type, offset angle 5°, 25° and 45°	
Boom hoist device	Direct forced type by double acting hydraulic cylinder	
Load hoist device	Hydraulic motor drive with spur gear reduction with auto-brake, independent 2 winches	
Swing device	Hydraulic drive motor with planetary gear reduction with negative brake, free/lock selector type	
Outrigger	Type	Hydraulic H-type
	Extension width	6.3m, 5.9m, 5.0m, 3.6m and 2.2m
Wire rope		
Main winch wire rope	16mm dia. x 170m IWRC 6 x Fi (29)	
Aux. winch wire rope	16mm dia. x 92m IWRC 6 x Ws (26)	
Hydraulic system		
Hydraulic pump	2 variable plunger pumps + 3 gear pumps	
Hydraulic oil tank	380 liters	
Safety device		
Moment limiter (auto-stop), Multi display (include backward check camera), Swing range limit device, Working range limit device, Swing automatic stop device, Overhoist prevention device (auto-stop), Base machine inclination meter, interceptive lever lock for on and off, Outrigger extension width automatic detecting device, Auxiliary brake for operating, Swing lock device Safety lock lever, Hydraulic safety valve, Sling wire lock, Boom telescoping default operation prevention device, Boom telescope safety device, Boom hoist safety device, Check & Safety Monitor, Winch drum safety device, Swing alarm lamps, Outrigger safety device, Free fall interlock device, Monitoring camera for drum		

CARRIER

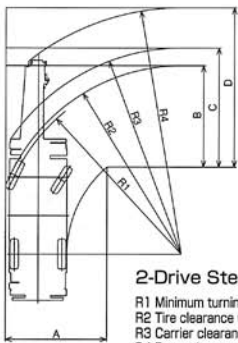
Carrier performance		
Max. travel speed	49km/h	
Gradeability	tanθ 0.57 (30°)	
Min. turning radius	8.4 m - 2WS	
	5.0 m - 4WS	
Engine	Model	MITSUBISHI 6M60-TLE2A
	Type	Water cooled, 4 cycle, 6 cyls, direct injection diesel with intercooled turbocharger
Total displacement	7.545L	
Max. output	200kW/2,700min ⁻¹ (272PS/2,700rpm)	
Max. torque	785N·m/1,400min ⁻¹ (80kgf·m/1,400rpm)	
Steering		
Travel drive type	4WD (4×4) / 2WD (4×2) selecting type	
Torque converter	3 elements, 1 stage, 2 phases	
	Electronic control full automatic with lock-up	
Transmission	Model	Electronic control full automatic shift
	No. of speed shift	3 speed forward / 1 speed reverse (with high/low shift)
Reduction unit form	Axle 2 step reduction unit	
Axle front wheel/rear wheel	All floating type with pneumatic suspension	
Steering	Form	Hydraulic power steering with emergency steering device and about-face steering compensation device
	Mode	Normal (front 2W), crab (4W) and rear (rear 2W)
Brake	Main service	Hydraulic disc brake with air booster, on all wheels
	Auxiliary	Torque converter lock-up linked electronic exhaust brake, with ADS system
	Parking	Propel shaft brake internal expansion type with auxiliary brake for crane operation
Fuel tank capacity	300 liters	
Tires (front and rear)	385/95 R25 170E ROAD	
Safety device		
Emergency steering device, Rear steering auto-lock, Suspension lock device, Engine overrun warning device, Check & Safety Monitor, Boom mirror, reverse travel buzzer		
Measurement		
Overall length	10,990mm	
Overall width	2,620mm	
Overall height	3,475mm	
Wheel base	3,500mm	
Tread	2,170mm	
Front over hang	5,380mm	
Rear over hang	2,110mm	
Total weight		
Total load	26,495mm	
Front axle load	13,250mm	
Rear axle load	13,245mm	
Passenger		
	1 person	

KOBELCO

Dimensions

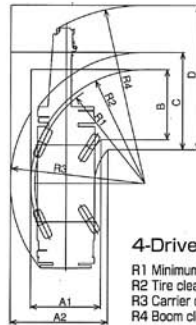


TURNING RADIUS



2-Drive Steering (Front)

- R1 Minimum turning radius: 8.40 m
- R2 Tire clearance with cab: 8.58 m
- R3 Carrier clearance: 9.39 m
- R4 Boom clearance: 11.22 m
- A Entrance width (carrier): 4.61 m
- B Exit width (carrier): 4.61 m
- C Exit width (tires): 5.42 m
- D Exit width (boom): 7.25 m



4-Drive Steering

- R1 Minimum turning radius: 5.00 m
- R2 Tire clearance with cab: 5.18 m
- R3 Carrier clearance: 6.11 m
- R4 Boom clearance: 8.11 m
- A1 Entrance width (tires): 3.19 m
- A2 Entrance width (carrier): 4.43 m
- B Exit width (tirescarrier): 3.19 m
- C Exit width (carrier): 4.43 m
- D Exit width (boom): 6.57 m



2-Drive Steering (Rear)

- R1 Minimum turning radius: 8.40 m
- R2 Tire clearance with cab: 8.58 m
- R3 Carrier clearance: 9.51 m
- R4 Boom clearance: 8.75 m
- A1 Entrance width (tires): 4.21 m
- A2 Entrance width (carrier): 5.13 m
- C Exit width (carrier): 5.13 m
- D Exit width (boom): 5.90 m

BOOM LIFTING CAPACITIES

NOTES

OPERATION WITH OUTRIGGERS

1. Rated load do not exceed 75% of the tipping loads with machine set horizontally on a firm and level ground, satisfy the specified stability over the front, and include weight of hook block(s) and other handling accessories. Ratings shown in are based on the machine's structural strength, and others are determined by the machine's stability.

2. The working radius given in the charts allow for loaded boom deflection. Always operate the machine on the basis of actual operating radius.

3. Weight of hooks, hook blocks, slings and other lifting devices are a part of the total load. Their total weight must be subtracted load to obtain the weight that can be lifted.

Hooks	25-ton	4.0-ton
Weight	200kg	70kg

4. Maximum outrigger extension is 6.3 m. Three intermediate extension positions are also provided at 5.9 m, 5.0 m and 3.6 m. Minimum outrigger extension is 2.2 m.

Outrigger extension	5.9m	5.0m	3.6m	Min. outrigger extension
α° (Front)	33°	28°	19°	9°
β° (Rear)	30°	25°	17°	7°

5. Rated load in the over-the-side whole around various depending on the extension position of outriggers. Therefore, crane operation must be performed based on the rating chart corresponding to each extended outrigger position.

6. To determine load ratings that fall between those shown in the charts, proceed as follows:

- a) For boom lengths not listed use rating for next longer boom length or next shorter boom length, whichever is smaller.
- b) For load radii not shown, use rating for next larger radius.

7. Ratings of the auxiliary sheave are the same as main boom ratings, but should not exceed 4,000 kg. Ratings of the auxiliary sheave are calculated by deducting 25-ton hook weight (200 kg) from main boom ratings.

8. Jib operation must be based on the main boom angle.

9. Ratings of the boom with extended jib are calculated by deducting 1,550 kg at 7.5 m jib or 1,750 kg at 12.0 m jib besides the weight of 25-ton hook block and the sling wire from the rated loads. At this time, do not use the auxiliary sheave.

10. In such a condition not shown in the rating chart, operation is impossible. Lowering the boom over critical degrees leads to overturn even with no load. Be careful extremely.

11. Standard hoist reevings are shown below. Rated single-line pull must not exceed 4,000 kg.

Boom length	9.32m	16.42m	23.52m	30.62m	Jib aux. sheave
Hook	25-ton				4.0-ton
No. of reeving	7	6	4	4	1

12. In order to prevent a load from falling down to mistake of operation, do not use free-fall in crane operation.

13. In lifting load operation in an oblique direction (direction toward the outrigger), sometimes the outrigger float in the diagonal side against the lifted load may be raised depending on a condition. This is caused by torsional rigidity and deflection of the carrier frame, and stability is not lost. The stability of this machine in operation within the rating is secured in the condition that the machine is set horizontally on a level and firm ground.

OPERATION WITHOUT OUTRIGGERS (ON TIRES)

1. Rated load do not exceed 75% of the tipping loads with machine set horizontally on a firm and level ground, satisfy the specified stability over the front, and include weight of hook block(s) and other handling accessories. Ratings shown in are based on the machine's structural strength, and others are determined by the machine's stability. Tire specified air pressure is set to 900 kPa (9.00 kgf/cm²)

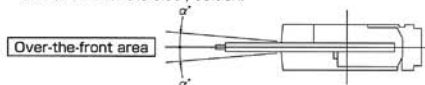
2. The working radius given in the charts allow for loaded boom deflection. Always operate the machine on the basis of actual operating radius.

3. Weight of hooks, hook blocks, slings and other lifting devices are a part of the total load. Their total weight must be subtracted load to obtain the weight that can be lifted.

Hooks	25-ton	4.0-ton
Weight	200kg	70kg

*Tire specified air pressure: 900 kPa (9.00 kgf/cm²)

4. Load ratings differ for over-the-front and over-the-side operation. Care must be taken to avoid overload when swinging a load from an over-the-front position to an over-the-side position.



On tires	Stationary	Pick & carry
α° (FRONT)	1°	1°

5. Ratings of the auxiliary sheave are the same as main boom ratings, but should not exceed 4,000 kg. Ratings of the auxiliary sheave are calculated by deducting 25-ton hook weight (200 kg) from main boom ratings.

6. Do not use jib operation and free fall.

7. Parking brake and auxiliary operation brake must be applied during stationary load lifting.

8. Pick and carry operations must be done in the low travel mode.

9. During pick and carry operations, keep the load close to the ground to avoid swaying, and travel no faster than 2.0 km/h. Avoid cornering, sudden starts (acceleration), and sudden braking. Boom must be centered over the front area.

10. Do not operate the crane functions while carrying the load.

11. Standard hoist reevings are shown below. Single-line load must not exceed 4,000 kg.

Boom length	9.32m	16.42m	23.52m	Jib aux. sheave
Hook	25-ton			4.0-ton
No. of reeving	7	4	4	1

BOOM LIFTING CAPACITIES

RK250-6

Main Boom Lifting Capacities with Outriggers

Unit: metric ton

Operating radius (m) \ Boom length (m)	With outriggers in 6.3m position				With outriggers in 5.9m position				With outriggers in 5.0m position			
	360° swing area				Over the side				Over the side			
	9.32	16.42	23.52	30.62	9.32	16.42	23.52	30.62	9.32	16.42	23.52	30.62
2.5	25.00	19.00			25.00	19.00			25.00	19.00		
3.0	25.00	19.00			25.00	19.00			25.00	19.00		
3.5	25.00	19.00	12.50		25.00	19.00	12.50		25.00	19.00	12.50	
4.0	23.00	19.00	12.50		23.00	19.00	12.50		23.00	19.00	12.50	
4.5	21.20	18.00	12.50		21.20	18.00	12.50		21.20	18.00	12.50	
5.0	19.40	16.70	12.50	7.00	19.40	16.70	12.50	7.00	18.40	16.70	12.50	7.00
5.5	17.80	15.60	11.85	7.00	17.80	15.60	11.85	7.00	15.40	15.00	11.85	7.00
6.0	16.30	14.60	11.20	7.00	16.30	14.60	11.20	7.00	13.00	12.60	11.20	7.00
6.5	15.10	13.80	10.60	7.00	15.10	13.80	10.60	7.00	11.20	10.75	10.60	7.00
6.9	8.60	13.20	10.20	7.00	8.60	13.20	10.20	7.00	8.60	9.70	10.15	7.00
7.0		13.00	10.10	7.00		12.65	10.10	7.00		9.35	10.10	7.00
7.5		12.20	9.60	7.00		10.95	9.60	7.00		8.20	8.90	7.00
8.0		10.90	9.10	7.00		9.65	9.10	7.00		7.30	7.95	7.00
9.0		8.65	8.20	6.40		7.60	8.20	6.40		5.85	6.45	6.40
10.0		7.05	7.40	5.90		6.20	6.90	5.90		4.75	5.35	5.60
11.0		5.85	6.50	5.35		5.10	5.80	5.35		3.90	4.50	4.80
12.0		4.95	5.50	4.90		4.30	4.95	4.90		3.30	3.80	4.15
13.0		4.20	4.75	4.50		3.70	4.25	4.50		2.75	3.25	3.55
13.5		3.90	4.40	4.30		3.40	4.00	4.25		2.45	3.00	3.30
14.0		3.70	4.10	4.15		3.20	3.75	3.95		2.30	2.80	3.10
15.0			3.60	3.85			3.25	3.40			2.45	2.70
16.0			3.15	3.45			2.80	3.00			2.10	2.35
17.0			2.80	3.05			2.45	2.65			1.80	2.10
18.0			2.45	2.70			2.15	2.35			1.55	1.80
19.0			2.15	2.45			1.90	2.10			1.35	1.60
20.0			1.90	2.20			1.65	1.90			1.15	1.40
21.0			1.70	1.95			1.50	1.70			0.95	1.20
21.1			1.70	1.95			1.50	1.70			0.95	1.20
22.0				1.75				1.50				1.05
24.0				1.40				1.15				0.75
26.0				1.15				0.90				0.50
28.0				0.95				0.65				
28.2				0.95				0.65				
Min. boom angle	0°	0°	0°	0°	0°	0°	0°	0°	0°	0°	0°	24°

Operating radius (m) \ Boom length (m)	With outriggers in 3.6m position				With outriggers in 2.2m position			
	Over the side				Over the side			
	9.32	16.42	23.52	30.62	9.32	16.42	23.52	30.62
2.5	25.00	19.00			12.20	12.00		
3.0	25.00	19.00			12.20	12.00		
3.5	20.50	19.00	12.50		9.50	9.20	10.00	
4.0	16.00	15.70	12.50		7.70	7.25	7.90	
4.5	12.80	12.60	12.50		6.30	5.90	6.50	
5.0	10.70	10.50	11.00	7.00	5.20	4.90	5.50	5.60
5.5	9.05	8.75	9.40	7.00	4.40	4.10	4.65	4.80
6.0	7.70	7.45	8.20	7.00	3.80	3.50	4.00	4.20
6.5	6.60	6.40	7.25	7.00	3.20	2.90	3.45	3.70
6.9	5.80	5.75	6.55	6.60	2.75	2.60	3.10	3.35
7.0		5.55	6.35	6.50		2.50	3.00	3.25
7.5		4.90	5.60	5.90		2.05	2.60	2.85
8.0		4.35	5.05	5.30		1.75	2.30	2.55
9.0		3.35	4.05	4.35		1.20	1.80	2.00
10.0		2.65	3.30	3.65		0.75	1.40	1.60
11.0		2.10	2.70	3.05			1.00	1.20
12.0		1.65	2.25	2.55				0.90
13.0		1.30	1.85	2.15				
13.5		1.10	1.70	1.95				
14.0		1.00	1.55	1.80				
15.0			1.25	1.50				
16.0			1.00	1.25				
17.0			0.80	1.05				
18.0			0.65	0.85				
19.0			0.50	0.70				
20.0				0.55				
Min. boom angle	0°	0°	27°	45°	0°	44°	58°	64°

BOOM LIFTING CAPACITIES

RK250-6

Main Boom Lifting Capacities without Outriggers

Unit: metric ton

Operating radius (m)	Stationary						Pick & Carry (under 2 km/h)						Boom length (m) Operating radius
	360° swing area			Over the front			360° swing area			Over the front			
	9.32	16.42	23.52	9.32	16.42	23.52	9.32	16.42	23.52	9.32	16.42	23.52	
3.0	7.05	7.30		14.00	9.00		7.00	5.10		10.50	7.50		3.0
3.5	5.95	7.30	4.50	14.00	9.00	6.50	5.95	5.10	3.20	10.50	7.50	5.50	3.5
4.0	4.95	4.90	4.50	12.60	9.00	6.50	4.95	4.90	3.20	9.50	7.50	5.50	4.0
4.5	4.05	3.80	4.50	10.90	9.00	6.50	4.05	3.80	3.20	8.70	7.50	5.50	4.5
5.0	3.35	3.10	4.30	9.55	8.20	6.50	3.35	3.10	3.20	8.00	7.00	5.50	5.0
5.5	2.80	2.60	3.45	8.30	7.40	6.10	2.80	2.60	3.10	6.90	6.20	5.15	5.5
6.0	2.35	2.15	2.70	7.20	6.60	5.65	2.35	2.15	2.70	5.90	5.50	4.80	6.0
6.5	1.95	1.75	2.25	6.25	5.90	5.25	1.95	1.75	2.25	5.10	4.90	4.45	6.5
6.9	1.55	1.50	1.95	5.20	5.40	4.95	1.55	1.50	1.95	4.30	4.45	4.25	6.9
7.0		1.40	1.85		5.25	4.85		1.40	1.85		4.35	4.15	7.0
8.0		0.70	1.30		4.10	4.10		0.70	1.30		3.40	3.50	8.0
9.0			0.85		3.25	3.50			0.85		2.70	2.95	9.0
10.0			0.55		2.60	3.00			0.55		2.15	2.45	10.0
11.0					2.10	2.55					1.70	2.05	11.0
12.0					1.70	2.20					1.35	1.70	12.0
13.0					1.35	1.85					1.10	1.45	13.0
14.0					1.00	1.55					0.80	1.20	14.0
15.0						1.30						1.00	15.0
16.0						1.05						0.85	16.0
17.0						0.85						0.70	17.0
18.0						0.65						0.55	18.0
19.0						0.50							19.0
Min. boom angle	0°	54°	60°	0°	0°	27°	0°	54°	60°	0°	0°	32°	Min. boom angle



JIB LIFTING CAPACITIES

RK250-6

Jib Lifting Capacities with Outriggers

Unit: metric ton

With outriggers in 6.3 m position (360° swing area)

7.5 m Jib							12.0 m Jib						
Jib angle Boom angle	Jib angle:5°		Jib angle:25°		Jib angle:45°		Jib angle Boom angle	Jib angle:5°		Jib angle:25°		Jib angle:45°	
	Operating radius (m)	Jib lifting capacities	Operating radius (m)	Jib lifting capacities	Operating radius (m)	Jib lifting capacities		Operating radius (m)	Jib lifting capacities	Operating radius (m)	Jib lifting capacities	Operating radius (m)	Jib lifting capacities
82.3°	5.3	3.00	7.9	2.10	9.7	1.44	82.3°	6.9	2.00	10.8	1.25	13.7	1.00
80.0°	7.0	3.00	9.6	2.10	11.2	1.44	80.0°	8.8	2.00	12.5	1.25	15.2	1.00
75.0°	10.6	3.00	12.8	2.10	14.1	1.35	75.0°	12.6	2.00	16.0	1.18	18.4	1.00
73.5°	11.6	3.00	13.7	2.10	15.2	1.33	73.5°	13.6	1.87	17.0	1.15	19.3	1.00
71.0°	13.2	3.00	15.2	2.10	16.5	1.30	72.0°	14.7	1.75	17.9	1.12	20.1	0.97
70.0°	13.8	2.90	15.8	2.10	17.1	1.28	71.0°	15.3	1.70	18.6	1.10	20.7	0.95
69.0°	14.4	2.82	16.3	2.10	17.6	1.27	69.0°	16.7	1.58	19.8	1.06	21.8	0.91
65.0°	16.7	2.50	18.6	1.88	19.7	1.23	65.0°	19.3	1.40	22.2	1.01	24.0	0.84
62.0°	18.4	2.25	20.2	1.74	21.1	1.21	60.0°	22.4	1.20	25.1	0.94	26.5	0.74
60.0°	19.5	2.10	21.2	1.65	22.1	1.20	55.0°	25.3	1.10	27.7	0.88	28.8	0.64
56.0°	21.6	1.62	23.2	1.48	23.9	1.18	53.0°	26.4	1.06	28.7	0.85	29.7	0.60
55.0°	22.2	1.51	23.6	1.40	24.3	1.17	52.0°	27.0	0.98	29.2	0.84	30.1	0.58
53.0°	23.2	1.31	24.6	1.23	25.2	1.16	51.0°	27.5	0.91	29.7	0.82	30.5	0.56
52.0°	23.6	1.22	25.0	1.16	25.6	1.13	50.0°	28.1	0.85	30.1	0.77	30.9	0.54
50.0°	24.6	1.07	25.9	1.01	26.4	1.00	48.0°	29.1	0.73	31.0	0.68	31.6	0.50
48.0°	25.5	0.93	26.8	0.87	27.1	0.87	45.0°	30.5	0.59	32.3	0.54	32.7	0.45
45.0°	26.9	0.74	28.0	0.70	28.2	0.70	40.0°	32.8	0.44	34.2	0.38		
40.0°	28.9	0.50	29.8	0.46			37.0°	34.0	0.36	35.2	0.30		
37.0°	30.0	0.39	30.7	0.34			36.0°	34.4	0.33	35.5	0.27		
36.0°	30.3	0.35	31.1	0.31			35.0°	34.8	0.31				
35.0°	30.7	0.32	31.3	0.28									
34.0°	31.0	0.30	31.6	0.26									
32.0°	31.6	0.26											
Min. boom angle	32°		34°		45°		Min. boom angle	35°		36°		45°	

With outriggers in 5.9 m position (Over the side)

7.5 m Jib							12.0 m Jib						
Jib angle Boom angle	Jib angle:5°		Jib angle:25°		Jib angle:45°		Jib angle Boom angle	Jib angle:5°		Jib angle:25°		Jib angle:45°	
	Operating radius (m)	Jib lifting capacities	Operating radius (m)	Jib lifting capacities	Operating radius (m)	Jib lifting capacities		Operating radius (m)	Jib lifting capacities	Operating radius (m)	Jib lifting capacities	Operating radius (m)	Jib lifting capacities
82.3°	5.3	3.00	7.9	2.10	9.7	1.44	82.3°	6.9	2.00	10.8	1.25	13.7	1.00
80.0°	7.0	3.00	9.6	2.10	11.2	1.44	80.0°	8.8	2.00	12.5	1.25	15.2	1.00
75.0°	10.6	3.00	12.8	2.10	14.1	1.35	75.0°	12.6	2.00	16.0	1.18	18.4	1.00
73.5°	11.6	3.00	13.7	2.10	15.2	1.33	73.5°	13.6	1.87	17.0	1.15	19.3	1.00
71.0°	13.2	3.00	15.2	2.10	16.5	1.30	72.0°	14.7	1.75	17.9	1.12	20.1	0.97
70.0°	13.8	2.90	15.8	2.10	17.1	1.28	71.0°	15.3	1.70	18.6	1.10	20.7	0.95
69.0°	14.4	2.82	16.3	2.10	17.6	1.27	70.0°	16.0	1.64	19.2	1.08	21.3	0.93
65.0°	16.7	2.50	18.6	1.88	19.7	1.23	69.0°	16.7	1.58	19.8	1.06	21.8	0.91
62.0°	18.5	2.25	20.2	1.71	21.1	1.21	65.0°	19.3	1.40	22.2	1.01	24.0	0.84
60.0°	19.6	1.91	21.2	1.60	22.1	1.20	60.0°	22.4	1.20	25.1	0.94	26.5	0.74
58.0°	20.7	1.64	22.2	1.44	23.0	1.19	56.0°	24.8	1.12	27.2	0.89	28.4	0.66
55.0°	22.2	1.32	23.6	1.20	24.3	1.17	55.0°	25.3	1.04	27.7	0.88	28.8	0.64
52.0°	23.6	1.03	25.0	0.96	25.6	0.94	52.0°	27.0	0.83	29.2	0.73	30.1	0.58
50.0°	24.6	0.88	25.9	0.80	26.4	0.79	51.0°	27.5	0.76	29.7	0.67	30.5	0.56
49.0°	25.1	0.81	26.3	0.74	26.7	0.73	50.0°	28.1	0.70	30.1	0.62	30.9	0.54
48.0°	25.5	0.74	26.8	0.68	27.1	0.67	49.0°	28.6	0.64	30.6	0.57	31.2	0.52
45.0°	26.9	0.54	28.0	0.51	28.2	0.51	48.0°	29.1	0.57	31.0	0.52	31.6	0.50
42.0°	28.1	0.39	29.1	0.36			45.0°	30.5	0.42	32.3	0.38	32.7	0.38
40.0°	28.9	0.30	29.8	0.28			42.0°	31.9	0.29	33.5	0.26		
39.0°	29.3	0.26											
Min. boom angle	39°		40°		45°		Min. boom angle	42°		42°		45°	

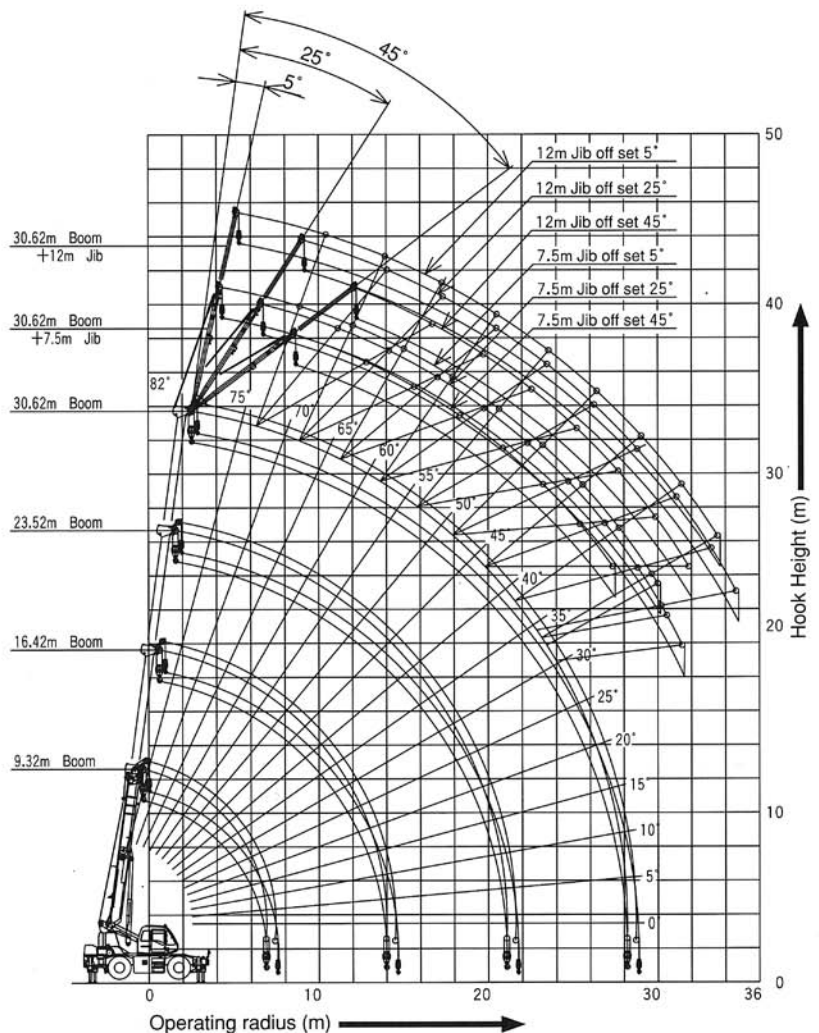
With outriggers in 5.0 m position (Over the side)

7.5 m Jib							12.0 m Jib						
Jib angle Boom angle	Jib angle:5°		Jib angle:25°		Jib angle:45°		Jib angle Boom angle	Jib angle:5°		Jib angle:25°		Jib angle:45°	
	Operating radius (m)	Jib lifting capacities	Operating radius (m)	Jib lifting capacities	Operating radius (m)	Jib lifting capacities		Operating radius (m)	Jib lifting capacities	Operating radius (m)	Jib lifting capacities	Operating radius (m)	Jib lifting capacities
82.3°	5.3	3.00	7.9	2.10	9.7	1.44	82.3°	6.9	2.00	10.8	1.25	13.7	1.00
80.0°	7.0	3.00	9.6	2.10	11.2	1.44	80.0°	8.8	2.00	12.5	1.25	15.2	1.00
75.0°	10.7	3.00	12.8	2.10	14.1	1.35	75.0°	12.6	2.00	16.0	1.18	18.4	1.00
73.5°	11.6	3.00	13.7	2.10	15.2	1.33	73.5°	13.6	1.87	17.0	1.15	19.3	1.00
72.0°	12.5	3.00	14.6	2.10	16.0	1.31	72.0°	14.7	1.75	17.9	1.12	20.1	0.97
71.0°	13.2	3.00	15.2	2.10	16.5	1.30	71.0°	15.3	1.70	18.6	1.10	20.7	0.95
70.0°	13.8	2.90	15.8	2.10	17.1	1.28	70.0°	16.0	1.64	19.2	1.08	21.3	0.93
69.0°	14.4	2.82	16.3	2.10	17.6	1.27	69.0°	16.7	1.58	19.8	1.06	21.8	0.91
65.0°	16.7	2.06	18.6	1.80	19.7	1.23	65.0°	19.3	1.40	22.2	1.01	24.0	0.84
63.0°	17.8	1.72	19.6	1.50	20.6	1.21	63.0°	20.6	1.32	23.4	0.98	25.0	0.80
60.0°	19.5	1.32	21.2	1.16	22.1	1.01	62.0°	21.2	1.28	24.0	0.97	25.5	0.78
58.0°	20.6	1.07	22.2	0.96	23.0	0.88	61.0°	21.8	1.16	24.5	0.95	26.0	0.76
55.0°	22.2	0.76	23.6	0.70	24.3	0.68	60.0°	22.4	1.05	25.1	0.88	26.5	0.74
52.0°	23.6	0.53	25.0	0.47	25.6	0.46	58.0°	23.6	0.84	26.2	0.72	27.5	0.70
50.0°	24.6	0.39	25.9	0.35	26.4	0.34	55.0°	25.3	0.60	27.7	0.52	28.8	0.51
49.0°	25.0	0.33	26.3	0.29	26.7	0.29	52.0°	27.0	0.40	29.2	0.35	30.1	0.34
48.0°	25.4	0.27					50.0°	28.0	0.28	30.1	0.25	30.9	0.25
Min. boom angle	48°		49°		49°		Min. boom angle	50°		50°		50°	

With outriggers in 3.6 m position (Over the side)

Jib angle Boom angle	7.5 m Jib						12.0 m Jib						
	Jib angle:5°		Jib angle:25°		Jib angle:45°		Jib angle:5°		Jib angle:25°		Jib angle:45°		
	Operating radius (m)	Jib lifting capacities	Operating radius (m)	Jib lifting capacities	Operating radius (m)	Jib lifting capacities	Operating radius (m)	Jib lifting capacities	Operating radius (m)	Jib lifting capacities	Operating radius (m)	Jib lifting capacities	
82.3°	5.3	3.00	7.9	2.10	9.7	1.44	82.3°	6.9	2.00	10.8	1.25	13.7	1.00
80.0°	7.0	3.00	9.5	2.10	11.2	1.44	80.0°	8.8	2.00	12.5	1.25	15.2	1.00
75.0°	10.7	3.00	12.8	2.10	14.1	1.35	75.0°	12.6	2.00	16.0	1.18	18.4	1.00
73.5°	11.6	2.60	13.7	1.94	15.2	1.33	73.5°	13.6	1.87	17.0	1.15	19.3	1.00
71.0°	13.2	1.96	15.2	1.63	16.5	1.30	72.0°	14.7	1.75	17.9	1.12	20.1	0.97
69.0°	14.4	1.53	16.3	1.31	17.6	1.10	71.0°	15.3	1.63	18.6	1.10	20.7	0.95
67.0°	15.5	1.17	17.4	1.02	18.6	0.91	70.0°	16.0	1.45	19.2	1.08	21.3	0.93
65.0°	16.7	0.88	18.6	0.80	19.7	0.73	69.0°	16.7	1.28	19.8	0.99	21.8	0.85
63.0°	17.7	0.63	19.5	0.59	20.6	0.54	67.0°	17.8	1.00	21.0	0.77	22.9	0.68
60.0°	19.1	0.34	21.0	0.31	22.1	0.29	65.0°	19.1	0.76	22.1	0.58	23.8	0.52
59.0°	19.6	0.26					63.0°	20.4	0.55	23.3	0.41	24.8	0.37
							62.0°	21.0	0.45	23.9	0.34	25.3	0.30
							61.0°	21.6	0.35	24.4	0.26		
							60.0°	22.2	0.26				
Min. boom angle	59°		60°		60°		Min. boom angle	60°		61°		62°	

WORKING RANGES



*Boom/jib bending with load is not involved in figure of working ranges.

STANDARD EQUIPMENT

Standard jib
Aux. sheave
25t hook
4t ball hook
Wire rope loose prevention device(aux. hoist)
Oil cooler
Accelerator control dial
Multi display
Backward check camera
Monitoring camera for drum
One way call
130f51 battery
Standard tool
Tool box
Air conditioner
Engine tachometer
Tachograph
Hourmeter
Engine over running alarm
Paper-element air cleaner
Three working lights
Horn
Towing hooks (one front, one rear)
Cab heater/defroster
Operation Manual: one set

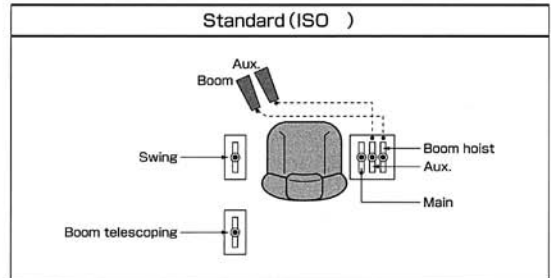
OTHER AMENITIES

Radio
Cigarette lighter
Ashtray
Sun visor
Floor mat
Windshield wiper/washer

OPTIONAL EQUIPMENT

Extra hydraulic oil cooler for hydraulic system
Spare tire

LEVER & PEDALS



Note: Due to our policy of continual product improvements all designs and specifications are subject to change without advance notice.

KOBELCO CRANES CO., LTD.

17-1, HigashiGotanda 2-chome, Shinagawa-ku, TOKYO, 141-8626 JAPAN
Tel: ++81 (0) 3-5789-2130 Fax: ++81 (0) 3-5789-3372