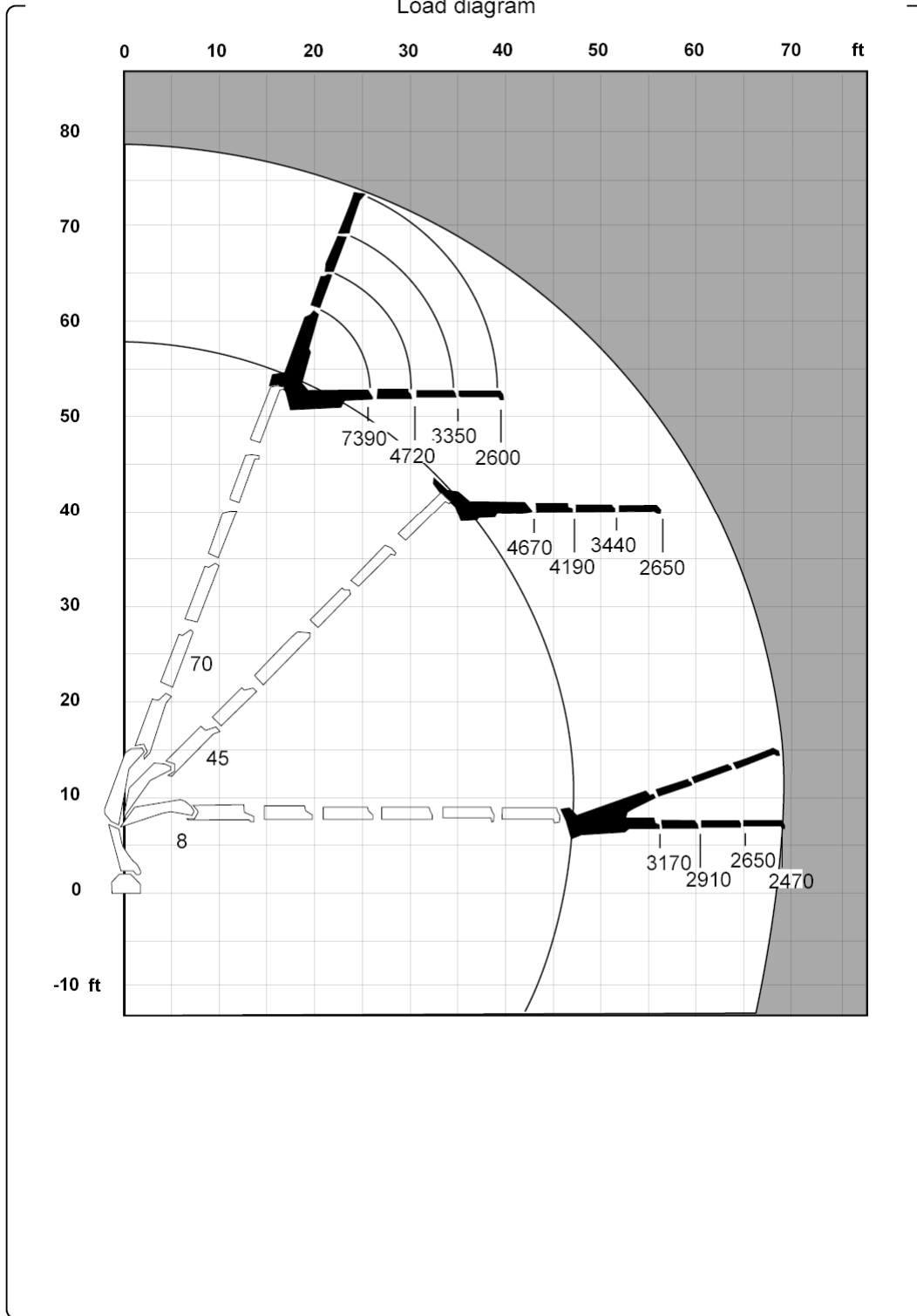


## Technical Data

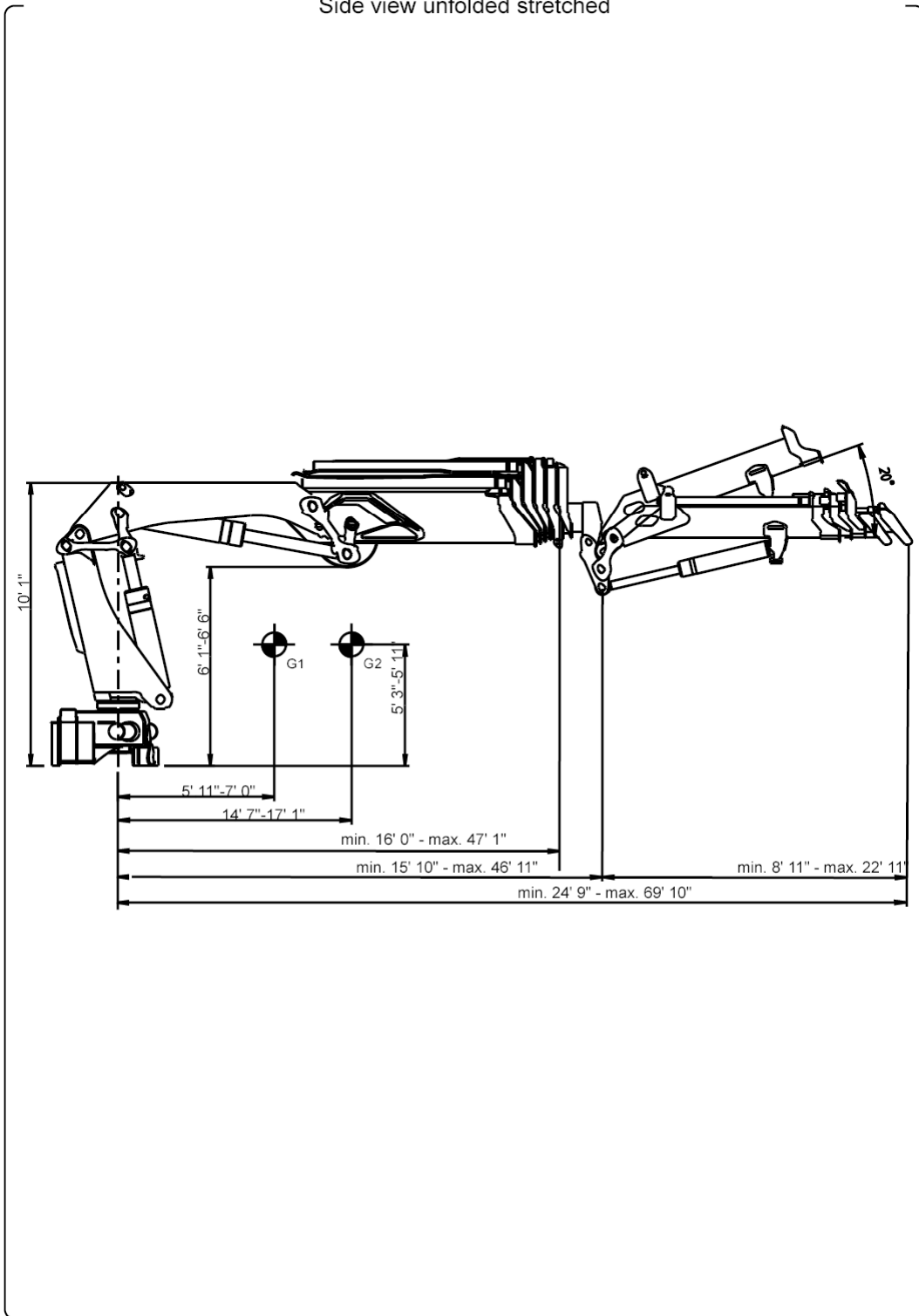
Hiab 477 E-5 HiPro + Jib100X-3.3

Version		HIAB 477 E-5 HiPro + Jib100X-3.3
Lifting capacity (ADC)	ft-lbs	300 920
Outreach - lifting capacity, standard	ft-lbs.	55' 9" - 3 170
		59' 9" - 2 910
		64' 8" - 2 650
		69' 7" - 2 470
Outreach - lifting capacity, manual extensions	ft-lbs.	
Hydraulic outreach, standard	ft	69' 11"
Lifting height above installation level, hydr/man	ft	78' 5" / 0' 0"
Rec. oil flow	gallon/min	18 - 32
Working pressure	psi	5 080
Oil in tank	gallon	0 - 79
Slewing angle	∅	400 - 400
Max slope viable at full capacity	°	4
Lifting speed at standard hydraulic outreach	ft/s	0' 0"
Height in folded position	"	106
Width in folded position	"	100
Install space required. Rotation area not included	"	64
Install space required with hose and pipe kit	"	64
Weight		
Crane in standard version without support legs	lbs.	0
Support leg equipment	lbs.	1 410 - 1 850
Data sheet		HIAB 477 E-5 HiPro + Jib100X-3.3

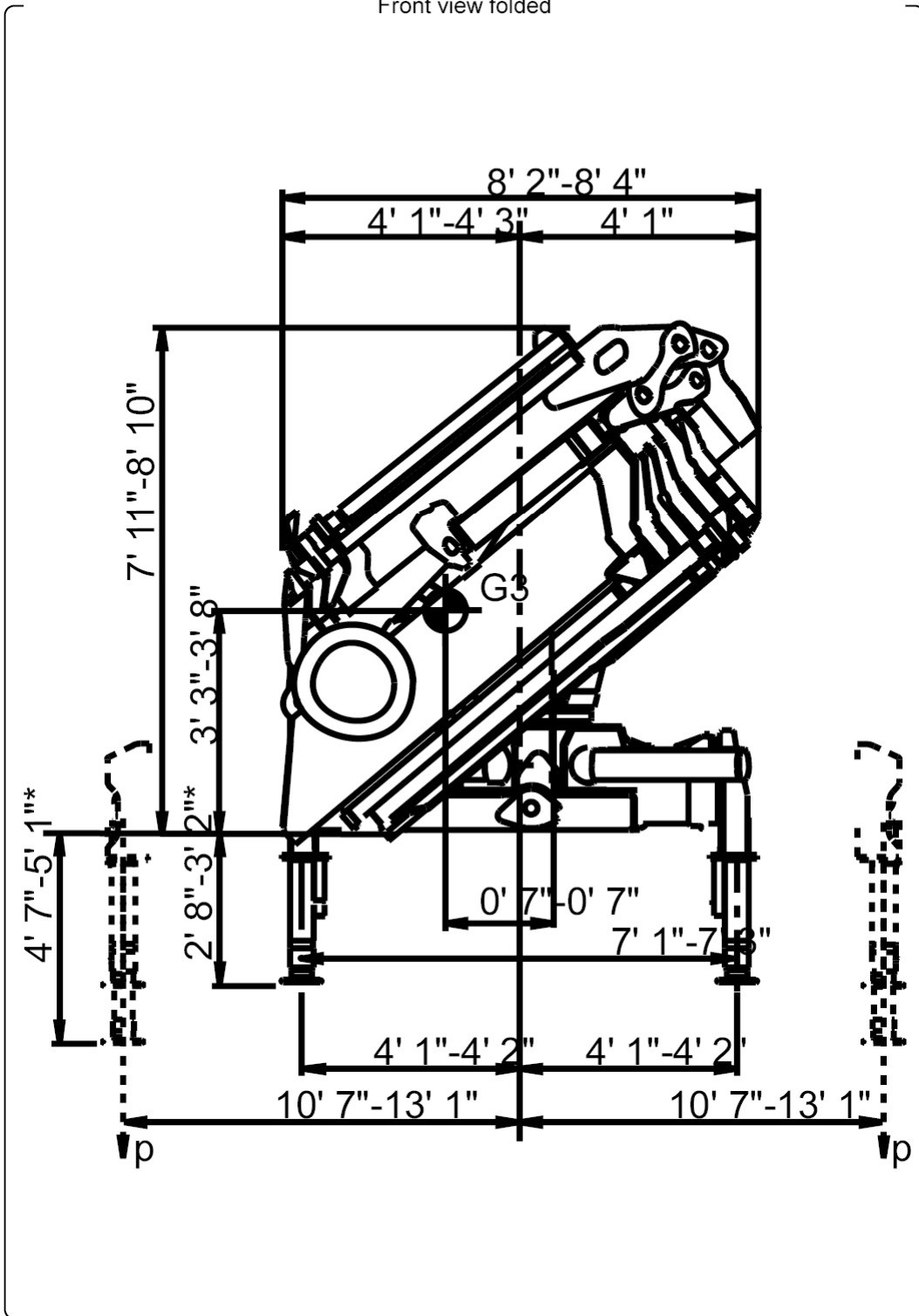
Load diagram



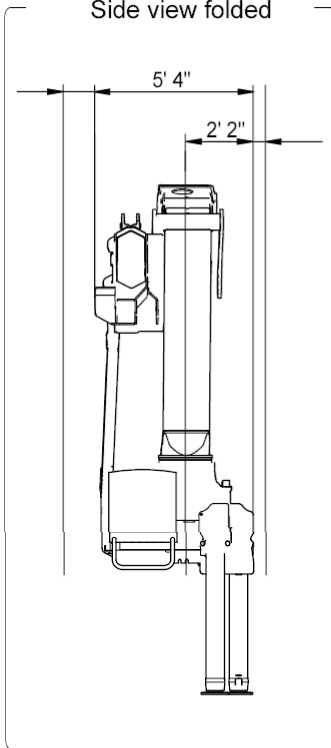
Side view unfolded stretched



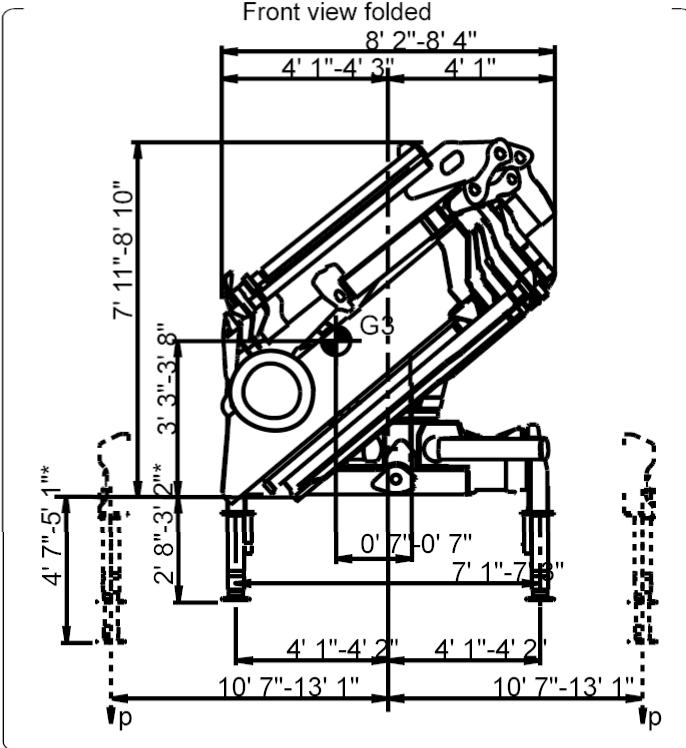
Front view folded



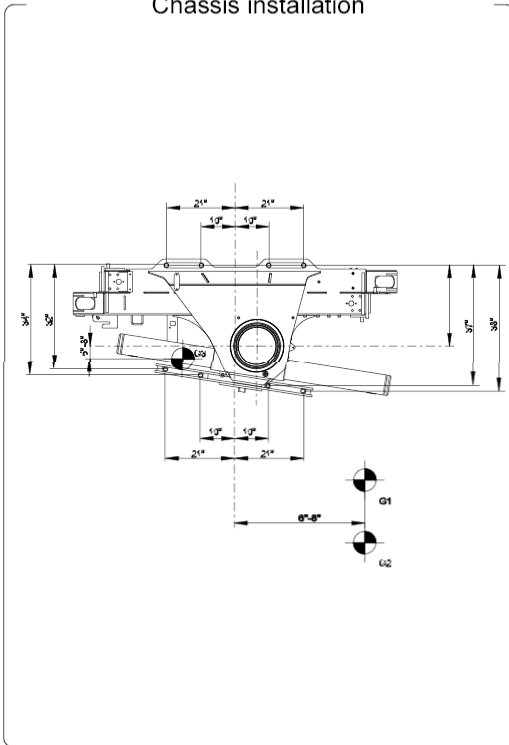
Side view folded



Front view folded



Chassis installation



Top view

