

MANITEX VALLA 180 D



Diesel operated Arm Lift Mobile Crane Max. Capacity **Kg. 18.000**



Valla	
OUT REACH (mm)	CAPACITY (kg)
3.000	7.500
5.000	4.000
7.000	3.000

TECHNICAL DATA

CRANE FRAME: fabricated form preformed and welded steel plate with built-in counterweight.

ENGINE: Diesel 4 cylinders water cooled 74 kW-100HP motor.

TRANSMISSION: Automatic (hydrostatic) "automotive". Differential axle. Max speed 15 Km/h.

BRAKES: foot hydraulically operated brakes (disc on front, drums on rear wheels). Parking hand brake mechanically operated.

STEERING: power steering operated through own hydraulic circuit. Fitted with safety valves and filter.

WHEELS: Nr. 2 rear pneumatic 3.55/65 – R15" - Nr. 4 front superelastic 3.55/65 – R15"

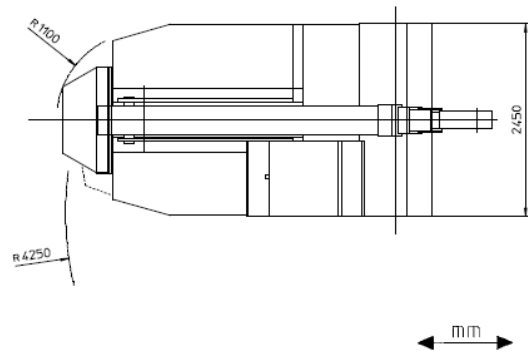
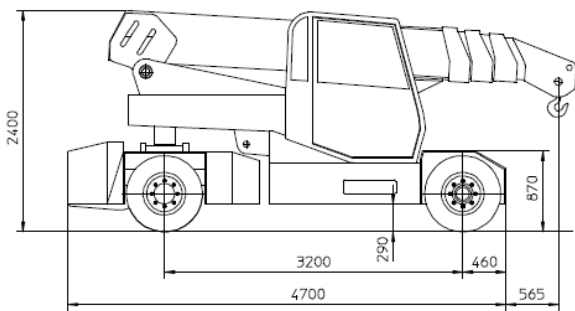
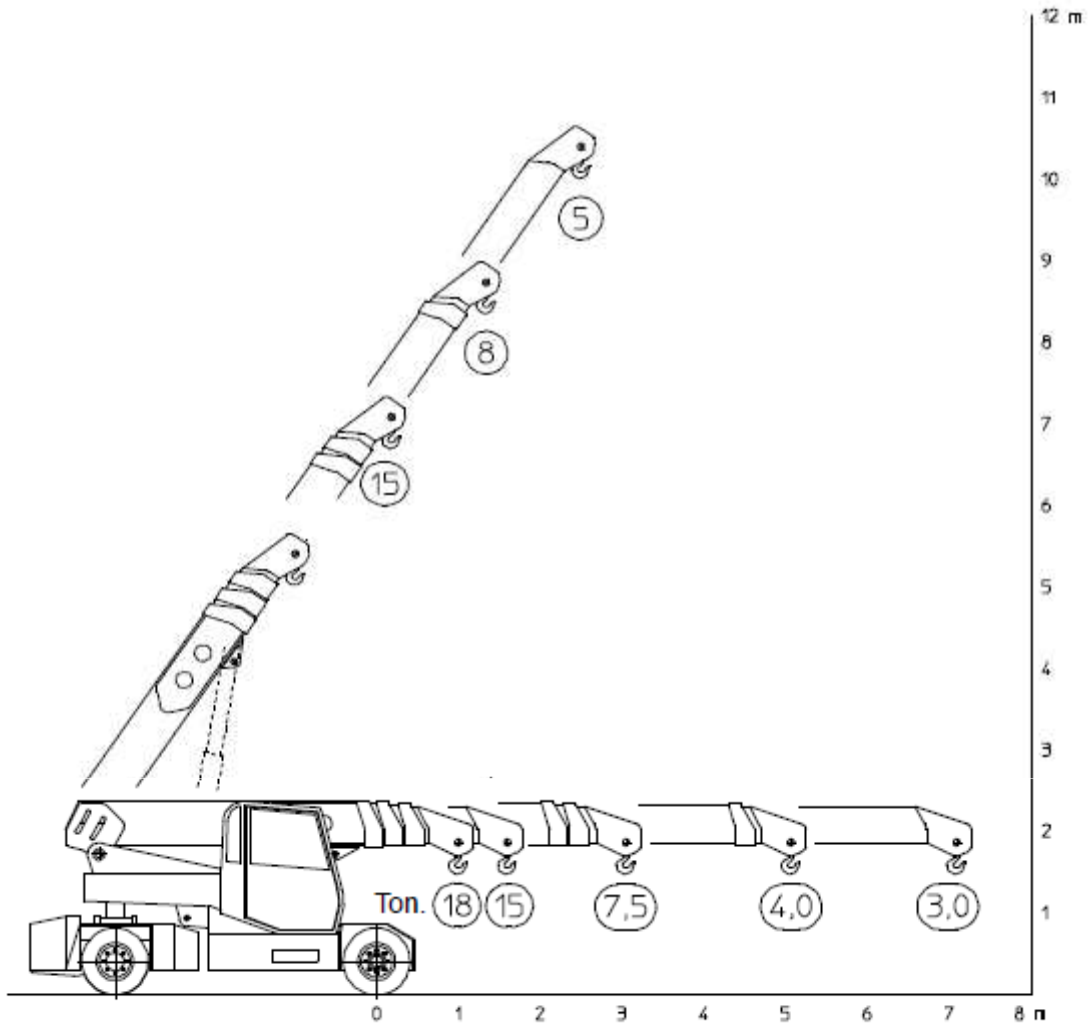
BOOM: boom fabricated from preformed and welded quality steel plate. Nr.4 telescoping sections: 1 fixed; 3 hydraulically telescoping. Fitted with nylon wear pads adjustable wear pads on the sides.

LMI: Electronic Load Moment Indicator. Display showing lifted load, max allowed load, tilting percentage, operating radius, angle, telescope and light indicators on the operative mode.

TOTAL WEIGHT: approx. Kg. 19.000 **MAX. CAPACITY:** Kg. 18.000

Options on request: hydraulic winch; chain hoists; carry-deck; manual and hydraulic jibs; cable remote control; radio remote control; working light; fire extinguisher.





mm