

Valla



30 EVO



Electric battery operated Mobile Crane Max. Capacity **Lbs. 7,700**



Valla

OUTREACH (Ft)	CAPACITY (Lbs.)
3	4,800
6	2,200
15	0,700



TECHNICAL DATA

CRANE FRAME: five-wheelers frame fabricated from preformed and welded steel plate with built-in counterweight.

DRIVE: by AC 3,5 kw 24V reversible electric motor, controlled by inverter, electro magnetic control on disk brake.

BATTERY: 24V-516Ah battery, battery meter on dashboard.

STEERING: by 180° steering. Complete with safety device on reverse.

WHEELS: rear: Nr. 1 cushion 343x140; Front Nr. 4 superelastic 15 x 4 ½ R8.

BOOM: 5 sections boom: 1 fixed, 2 hydraulically telescopicng, 2 manually telescoping fitted with nylon wear pads. Adjustable wear pads on the sides.

BOOM CONTROL: distributor by proportional levers.

LMI: electronic Load Moment Indicator. Display showing lifted load, max allowed load, tilting percentage, operating radius, angle, telescope and light indicators on the operative mode.

TOTAL WEIGHT: approx. Lbs 5,300

MAX. CAPACITY: Lbs. 7,700

Options on request: brakes on front wheels, hydraulic winch; chain hoists; carry-deck; battery charger (on board and stand-alone); manual and hydraulic jibs; cable remote control; radio remote control; man bucket and relevant certification as aerial platform; non marking tires.

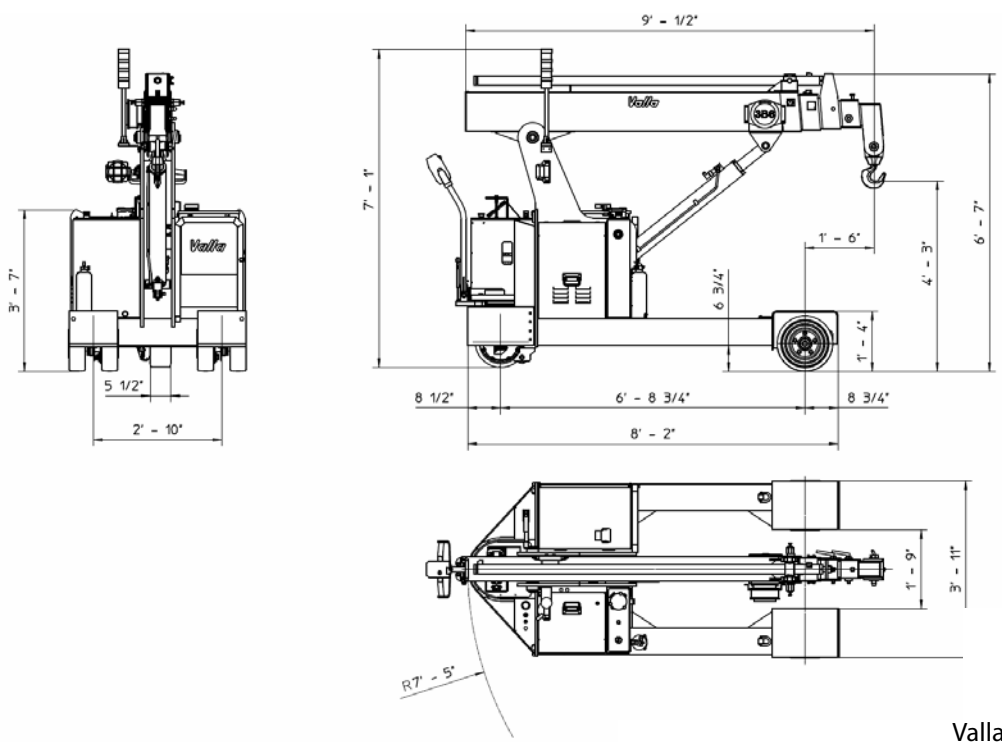
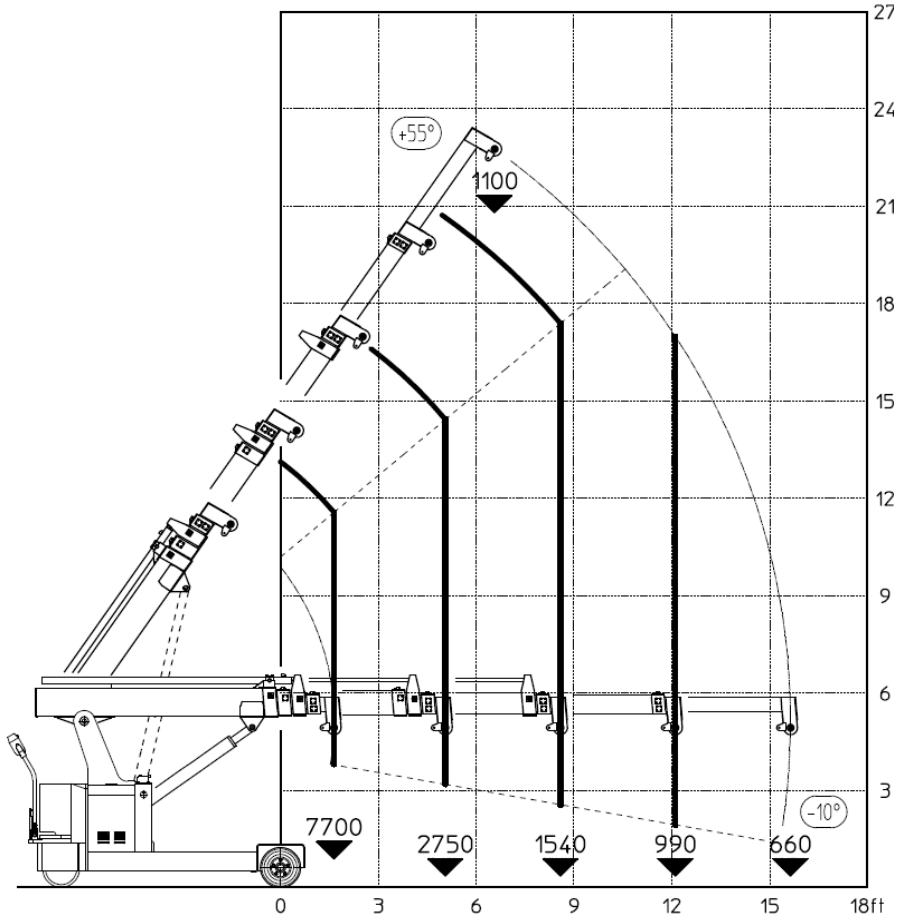
Data subject to be changed without any previous notice. Pictures may differ form technical description.



30 EVO



VALLA mobile crane mod. 30EVO
 complies with the following standards:
 -2006/42/CE
 -UNIEN13000
 -I.S.P.E.S.L.



Lbs./ft



Valla a division of CVS Ferrari Srl
 Via Piacenza, 45 - 29010 Calendasco (Piacenza) - ITALIA
 Tel. +39 0523 762025 / 752004 - Fax +39 0523 760531
 e-mail: info@valla.com - www.valla.com

Data subject to be changed without any previous notice. Pictures may differ from technical description.