

maxilift

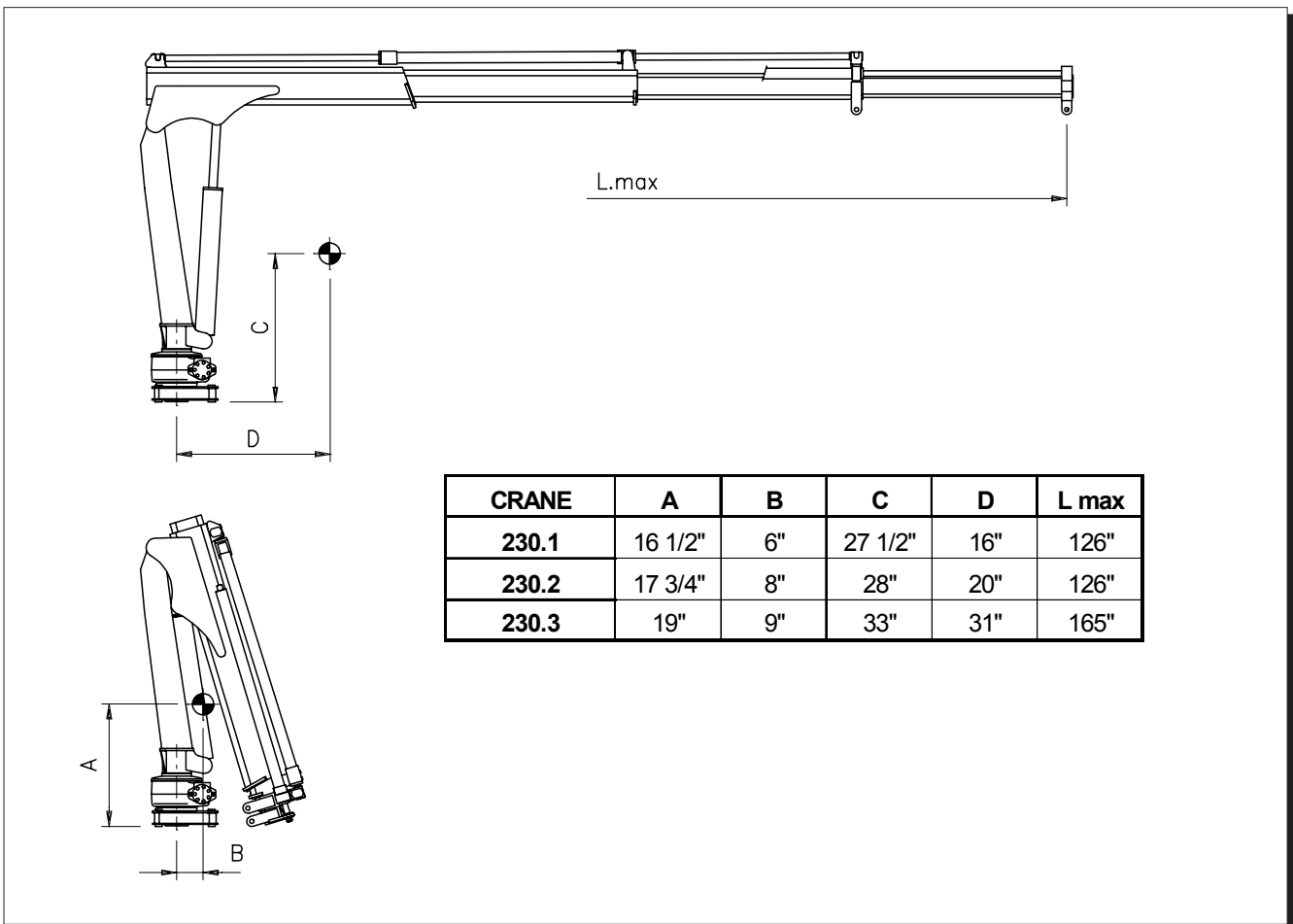
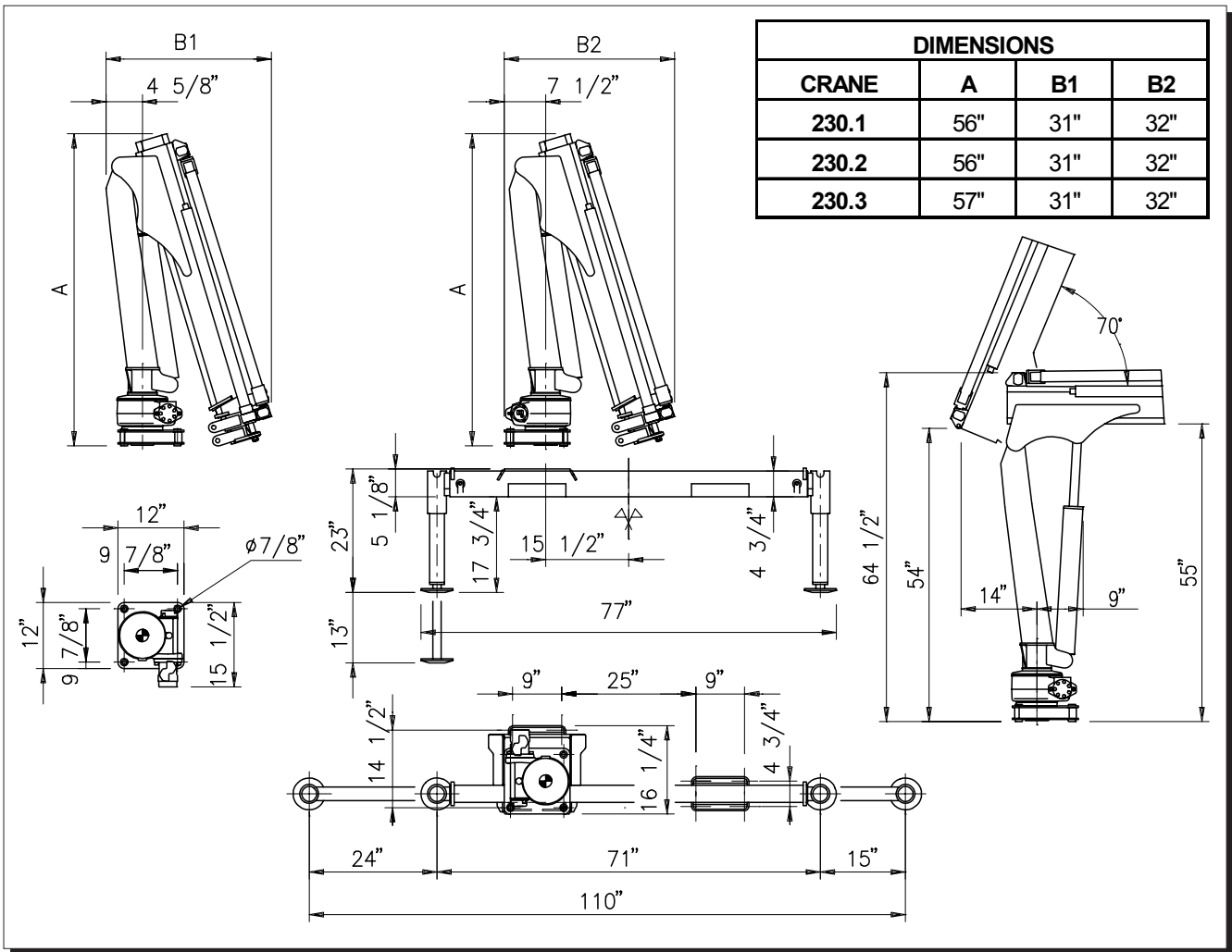
ALFA ROMEO

TECHNICAL SHEET



Next Hydraulics





TECHNICAL DATA			VERSION				
TYPE	230	230.1	230.2	230.3			
CRANE RATING	ft. lbs.	16,300					
STANDARD EXTENSIONS Nr (HYDRAULICS - MANUALS)	n°	1H +1M	2H	3H			
STANDARD OUTREACH	ft.	10' 6"	10' 6"	13' 8"			
SLEWING ANGLE	°	360°					
MAXIMUM ANGLE SLOPE	°	4°					
SLEWING TORQUE	ft. lbs.	2,350					
MAX. LIFTING HEIGHT FROM CRANE BASE	ft.	14' 1"	14' 1"	17'			
SUGGESTED OIL FLOW	gpm.	2.1 – 2.6					
MAX. WORKING PRESSURE	psi.	2,900					
BASIC CRANE WEIGHT	VERS. "H"	410	440	480			
	VERS. "E"	450	480	530			
BASE WEIGHT WITH EXTENDABLE STABILIZERS	lbs.	180 - 190					
BEAM WEIGHT WITH 2 EXTENDABLE STABILIZERS	lbs.	90 – 110					
MOTOR ABSORPTION FOR ELECTROHYDR. CRANE 12V	A min/max	80/230	80/230	80/230			
MOTOR ABSORPTION FOR ELECTROHYDR. CRANE 24V	A min/max	50/120	50/120	50/120			

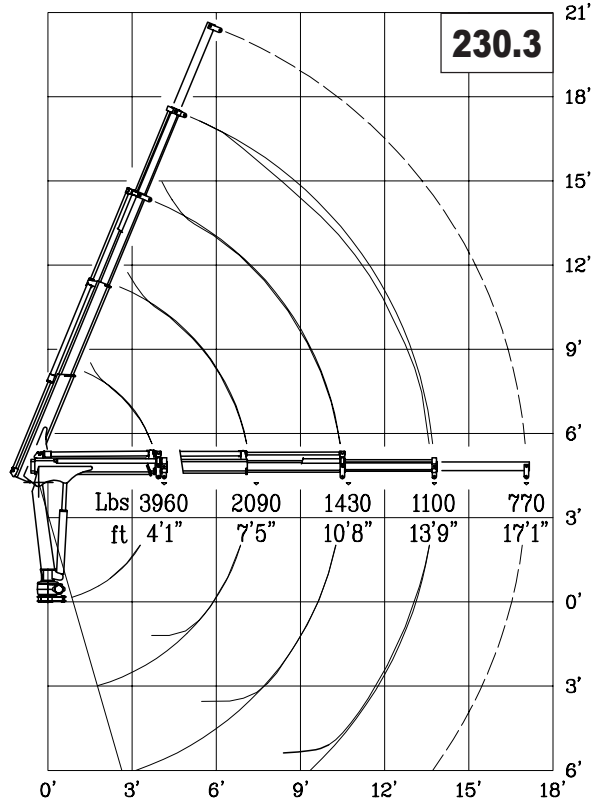
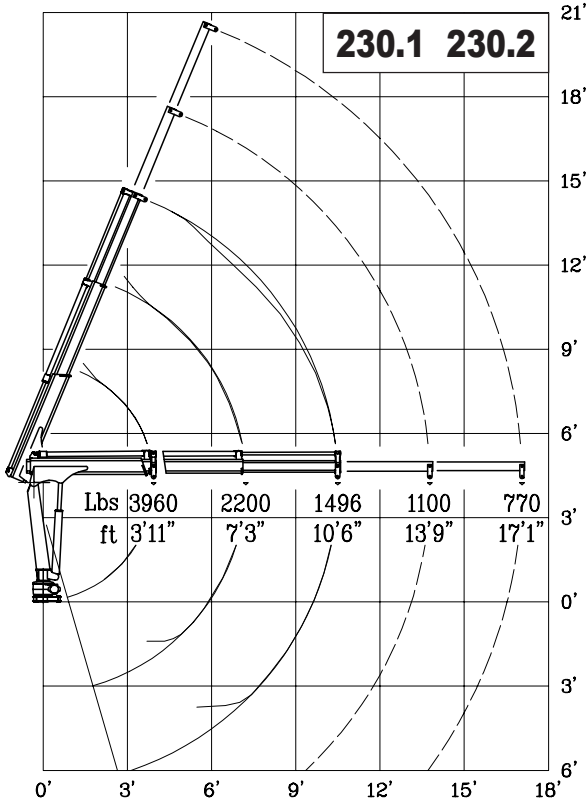
WINCH SPECIFICATIONS	U.M.	
MAX. WINCH SINGLE LINE CAPACITY (3 rd LAYER)	lbs.	1,100

VERSION	DESCRIPTION
"E" 12V	ELECTROHYDRAULIC
"E" 24V	ELECTROHYDRAULIC
"H"	HYDRAULIC (PTO)

OPERATING TIMES										
VERSION	SLEWING (rpm)	LIFTING (sec)		LOWERING (sec)	EXTENSION OUT (sec)			EXTENSION IN (sec)		
		Pmin	Pmax		230.1	230.2	230.3	230.1	230.2	230.3
230 "E" 12/24V	1.8	20	30	16	12	25	37	8	15	24
230 "H" (P.T.O)	2.0	16		16	12	25	37	8	15	24

Pmax: max. working pressure
Pmin: min. working pressure

Lifting class **H2-B3**
DIN 15018



maxilift

by

Next Hydraulics



Via Mediterraneo n°6, 42022 Boretto (R.E.) Italy
Tel.: 0522-963008, Fax: 0522-963039
<http://www.maxiliftcrane.com> E-mail:
nexthydraulics@tin.it