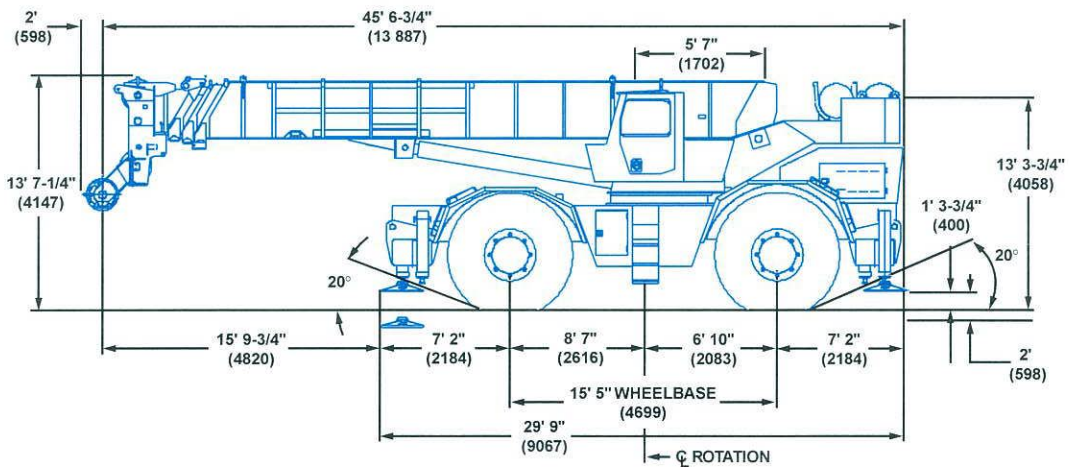
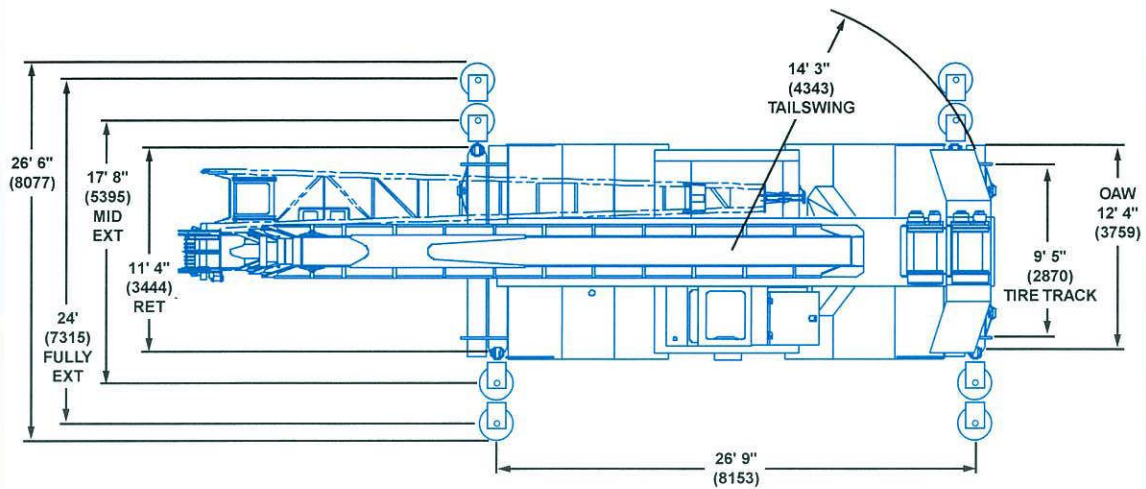


# Dimensions



Note: ( ) Reference dimensions in mm

- Turning Radius . . . . . 25' (7620 mm)
- Front Axle Load . . . . . 64,649 lbs. (29 325 kg)
- Rear Axle Load . . . . . 69,809 lbs. (31 665 kg)
- Gross Vehicle Weight . . . . . 134,458 lbs. (60 990 kg)



36 - 114 ft.  
(11.0 - 34.7 m)



17,800 lbs.  
(8074 kg)



100%



360°



Pounds

Feet	36	42	51	60	69	78	87	96	105	114
10	200,000 (67)	121,500 (70.5)	114,000 (74)	107,500 (77)	103,000 (79)					
12	176,000 (63)	120,000 (67.5)	110,000 (71.5)	101,500 (75)	99,300 (77.5)	93,650 (79.5)				
15	151,000 (57.5)	115,000 (63)	102,000 (68)	92,100 (72)	90,250 (75)	84,500 (77)	73,350 (79)			
20	116,000 (47)	99,800 (54.5)	90,050 (61.5)	78,650 (67)	76,850 (70.5)	70,500 (73)	62,750 (75.5)	60,000 (77.5)	56,100 (79)	43,850 (80)
25	88,300 (34)	80,100 (45.5)	73,850 (55)	68,900 (61.5)	66,250 (66)	60,150 (69.5)	54,250 (72)	52,250 (74.5)	48,650 (76)	40,950 (77.5)
30		65,650 (34)	61,400 (47.5)	57,650 (55.5)	55,400 (61)	52,400 (65)	46,900 (68.5)	44,900 (71)	42,900 (73)	35,100 (75)
35		52,500 (16.5)	52,500 (38.5)	49,700 (49.5)	46,600 (56)	44,950 (61)	41,150 (65)	39,200 (68)	37,300 (70)	30,400 (72)
40			41,050 (28.5)	41,050 (42.5)	40,300 (51)	38,550 (56.5)	36,550 (61)	34,650 (64.5)	32,800 (67)	26,650 (69.5)
45				33,100 (34.5)	33,100 (45)	33,100 (52)	32,400 (57)	30,950 (61)	29,150 (64)	23,600 (66.5)
50				27,200 (24)	27,200 (38.5)	27,200 (47)	27,200 (53)	27,200 (57.5)	26,150 (61)	21,350 (63.5)
60					19,200 (20)	19,200 (35)	19,200 (43.5)	19,200 (49.5)	19,200 (54.5)	17,300 (57.5)
70						14,100 (16.5)	14,100 (32)	14,100 (41)	14,100 (47)	14,100 (51.5)
80							10,550 (12.5)	10,550 (29.5)	10,550 (38.5)	10,550 (44)
90								7,770 (27.5)	7,770 (35.5)	
100										5,580 (24.5)

Minimum boom angle (deg.) for indicated length (no load) 0

Maximum boom length (ft.) at 0 deg. boom angle (no load) 114

NOTE: ( ) Boom angles are in degrees.

A6-829-011720

Boom Angle	36	42	51	60	69	78	87	96	105	114
0°	31,400 (30.2)	25,200 (36.3)	18,750 (45.3)	14,200 (54.3)	10,850 (63.3)	8,300 (72.3)	6,250 (81.3)	4,570 (90.3)	3,180 (99.3)	2,060 (107.8)

A6-829-011877

# Working range



36 - 114 ft.  
(11.0 - 34.7 m)



33 - 58 ft.  
(10.0 - 17.7 m)



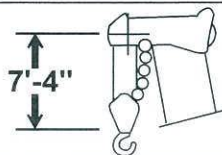
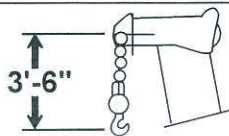
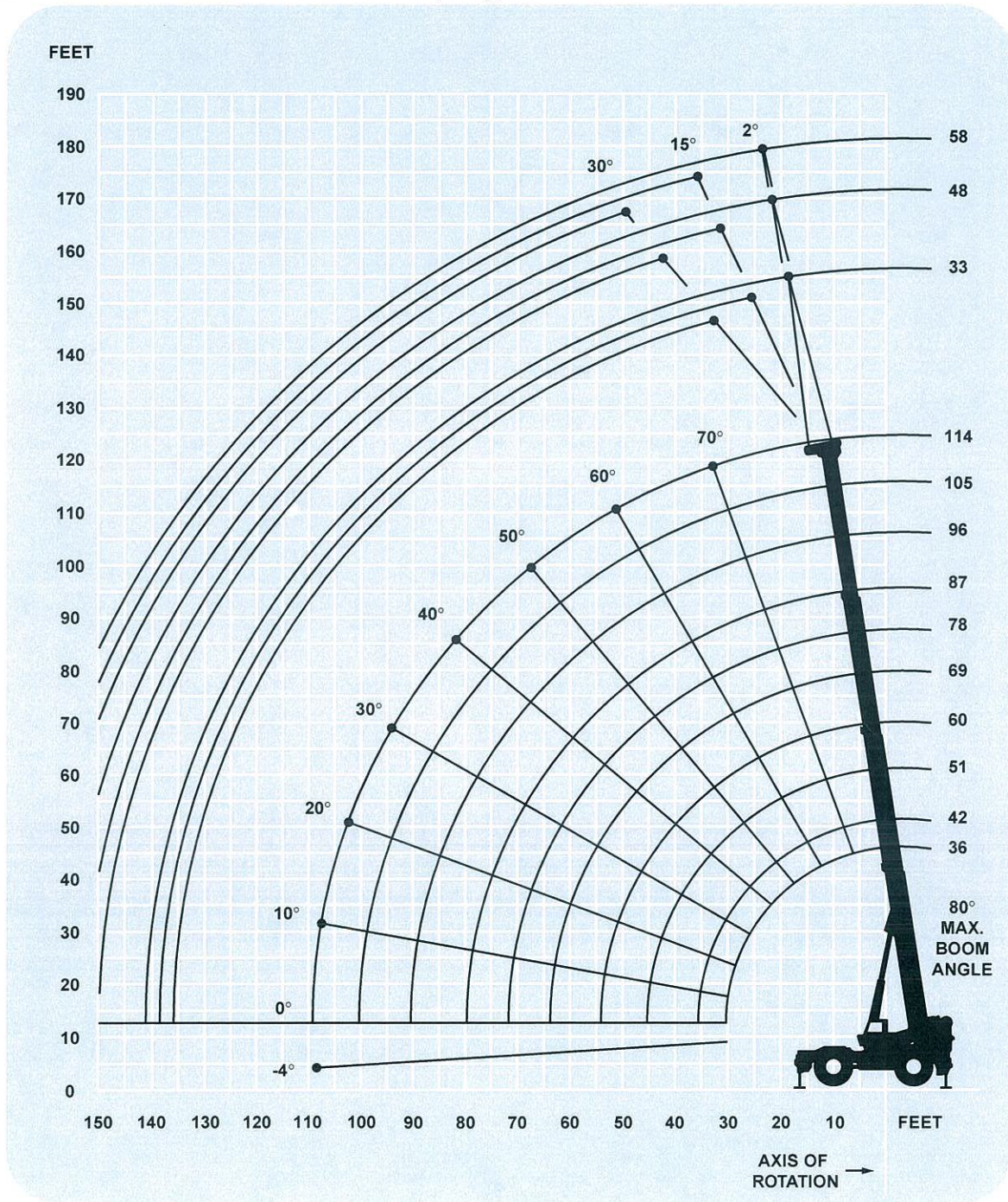
17,800 lbs.  
(8074 kg)



100%



360°



DIMENSIONS ARE FOR LARGEST GROVE FURNISHED HOOK BLOCK AND HEADACHE BALL, WITH ANTI-TWO BLOCK ACTIVATED.