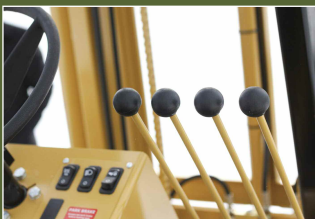
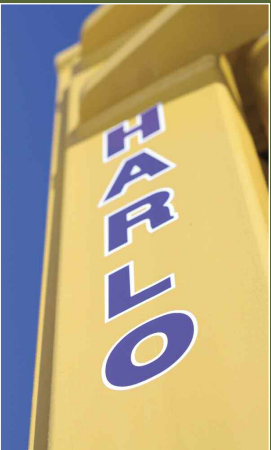


NEED THE BEST?

get a harlo.

HP5000 powered by
JOHN DEERE

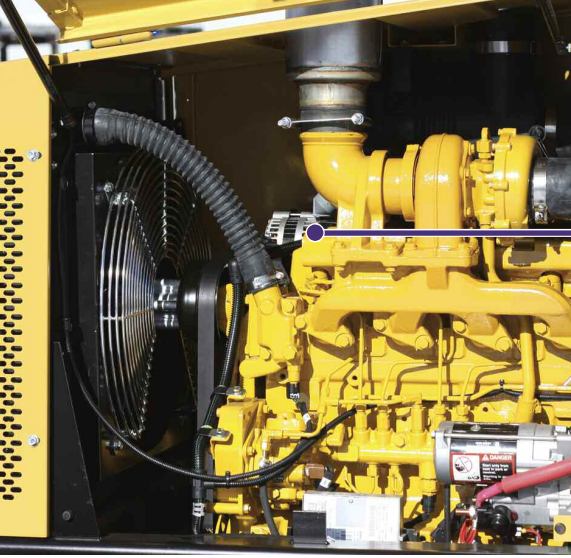
HARLO
PRODUCTS
MATERIAL HANDLING DIVISION



THE HARLO REPUTATION FOR QUALITY

We build durable, reliable and rugged rough terrain forklifts that pick up more, lift loads higher and still maneuver the tight spots better.

And your new Harlo will do it all faster than the competition.

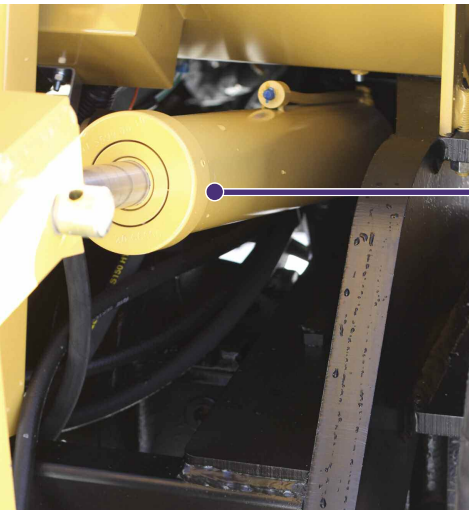


SERVICEABILITY

- Easy access
- Readily available parts
- Expert technical support
- Superior customer service

SAFETY

- A.N.S.I. B 56.6 safety compliant
- Excellent visibility
- Sturdy falling objects protection
- Sure footed stability
- Easy operator access



QUALITY

- Heavy gage steel construction
- Superior weld quality
- Assembled with pride
- O-ring seal hydraulic connections
- Over 50 years experience
- High resale value

RELIABILITY

- Long life
- Engineered for tough conditions
- Service support
- Drive line built to last
- Sealed electrical connections
- Heavy duty fasteners



PERFORMANCE

- Industry leading horse power
- Industry leading top speed
- Tight turning radius
- Best in class lift capacity



HARLO

Harlo's reputation as the best in the industry is no accident. As a third generation, family owned business we have served the rough terrain vertical mast industry since the late 40s.

That reputation for quality and dependability makes Harlo owners the most loyal customers out there. They know that buying a Harlo gives them the most for their money. Make sure your rough

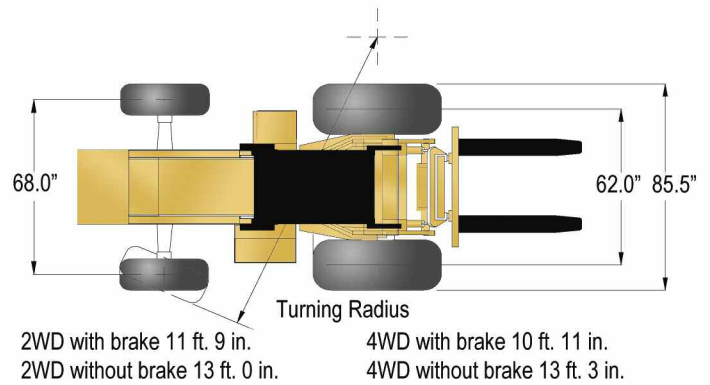
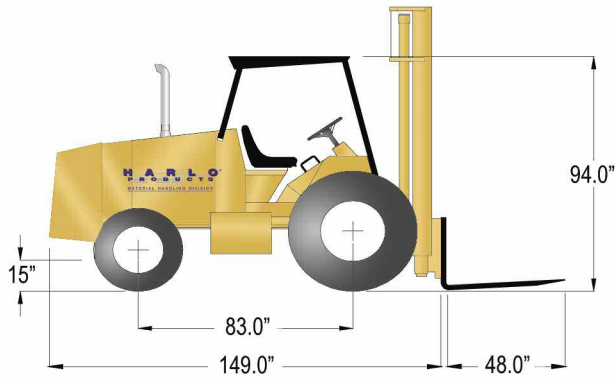
terrain forklift is out on the job making you money—not sitting in the shop costing you. Make sure it's a Harlo.

Featuring the most horsepower in its class, Harlo's HP Line is designed to go the extra mile. With low-end torque and increased lift capacity you can be more efficient and more profitable. Don't settle for less. When you need the best, get a Harlo.

www.HARLO.com

1.800.391.4151

HP5000 powered by JOHN DEERE



MAST OPTIONS

CAPACITY	LIFT HEIGHT	OVERALL LOWERED	OVERALL EXTENDED	CARRIAGE WIDTH	2WD WEIGHT	4WD WEIGHT	FREE LIFT	CAPACITY AT 24" LOAD CENTER
5000 lbs	12 ft. 2 Stg.	110 in.	-	48 in.	11,832 lb.	12,129 lb.	none	5000# to 12'
5000 lbs Free Lift	14 ft. 3 Stg.	94 in.	-	42 in.	12,179 lb.	12,379 lb.	58 in.	5000# to 14'

ENGINE

make/model/type	john deere 4045TF285 electronic / 4 cycle diesel
aspiration	turbocharged
number of cylinders	4
displacement	275 cubic inches
bore/stroke	4.20 inches / 5.0 inches
compression ratio	19:1
net engine horse power	99 hp at 2400 rpm
maximum net torque	261 ft-lbs at 1600 rpm
fuel injection	denso common rail - electronic

DIMENSIONS

ht top overhead guard	94 in
wheel base	83 in
drive tread width	62 in
steer tread width - 2WD	68 in
steer tread width - 4WD	66 in
underclearance	15.0 in
mast tilt	13° forward; 13° rearward
overall width	79 in
overall length (less forks)	149 in



distributed by: