



**SPIERINGS  
CRANES**

Mark: **SPIERINGS** Type: **SK488-AT7**

**Crane identification**

**85 % chart**

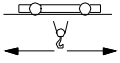
Serial number:

Year of construction:

**Speeds**

Jib horizontal / jib 30° luffed

	ft/min	lbs
	16	17600
	30	8820
	43	4400
	65	0



0 - 65 ft/min



0-0,3 rpm

All motions with hydraulic proportional controls

Luffing the jib 30° can be controlled from crane cab or via remote control

Driving with erected tower and jib, only with the jib horizontal and positioned over the front carriage, platform locked to the carrier and the outriggers fully extended (max. inclination 2°)

Rated lifting capacity is net capacity

Crane equipped with full counterweight: 19180 lb

360° continuous slewing, with outriggers out and down

2 Outriggers positions: 22.64 x 22.44 ft  
22.64 x 16.9 ft

Operation allowed up to a windforce of 3 on the Beaufortscale (3.4 - 5.4 ft/sec).

Sail area of the load max. 11.8 sq.ft / US ton at a windforce of 3 on the Beaufortscale (3.4 - 5.4 ft/sec).

Operating temperature range from -35° to 40° C.

In all cases 2 parts of line

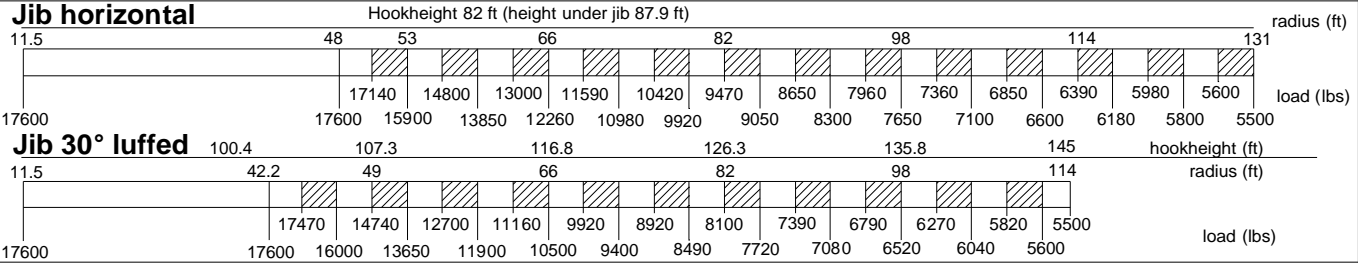
Max. line pull force 8820 lbs

The crane should be folded in at a windforce >9 (69ft/sec) or when not in use for a longer period

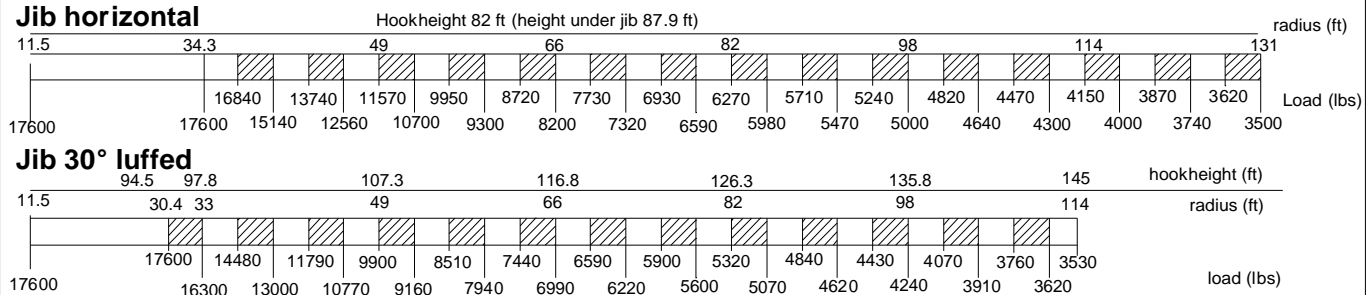
Max. radius with max. load: **48 ft**

Max. jib length: **131 ft**

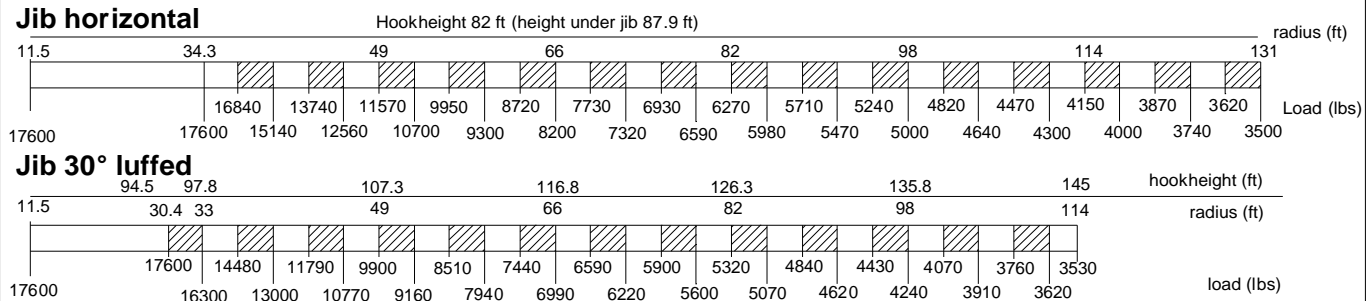
**LIFTING CHART Outrigger spread 22.64 ft x 22.44 ft Operating temperature -20° to 40°**

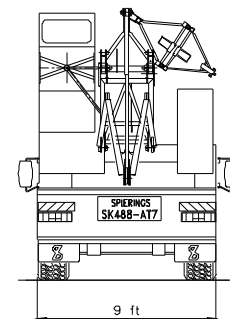
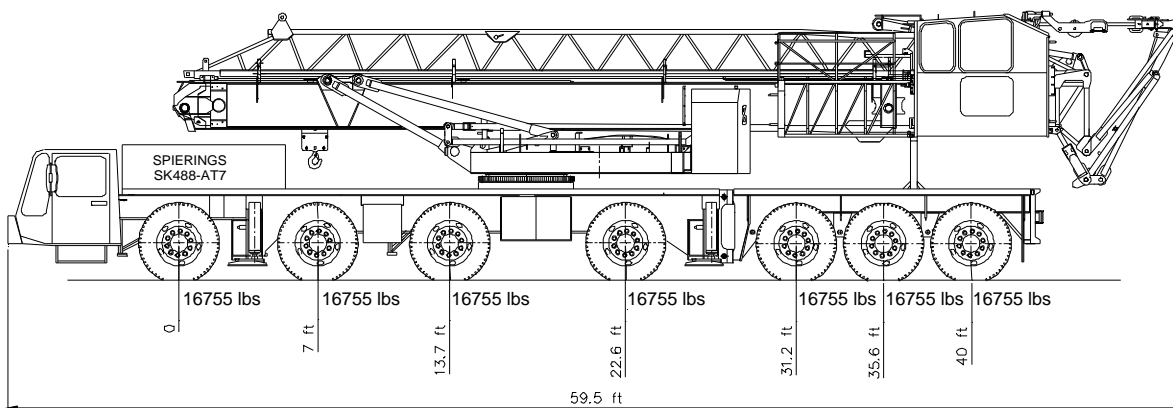
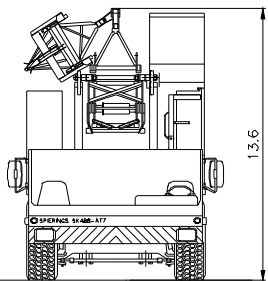
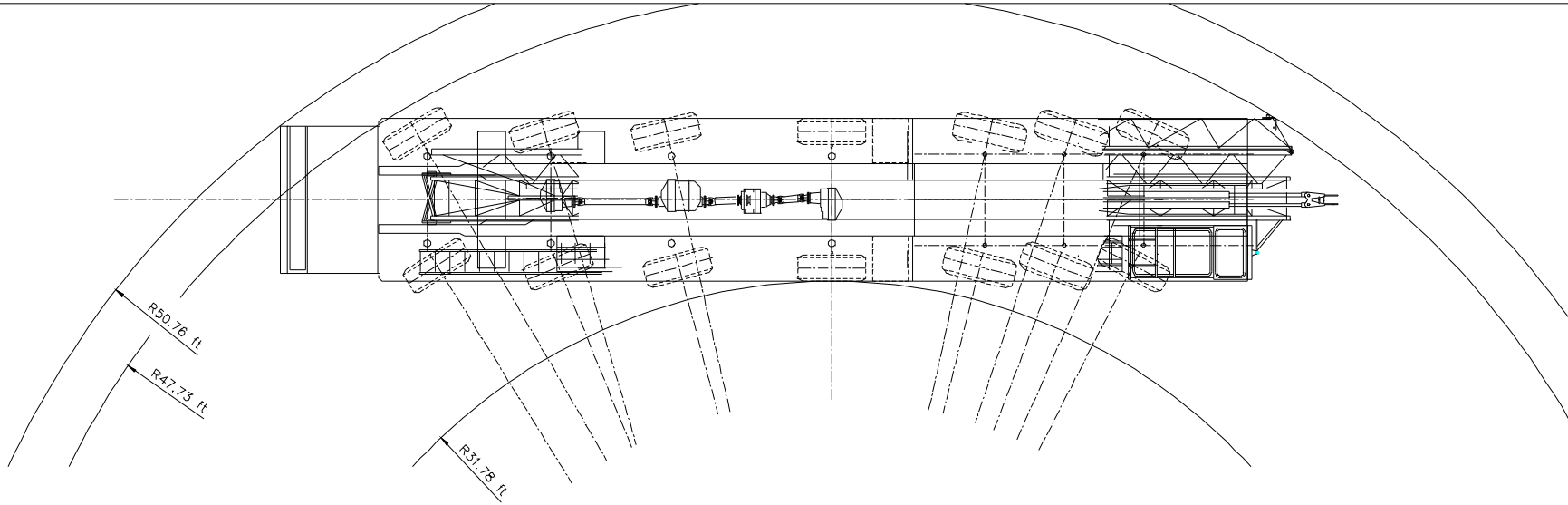


**LIFTING CHART Outrigger spread 22.64 ft x 22.44 ft Operating temperature -35° to -20°**



**LIFTING CHART Outrigger spread 22.64 ft x 16.9 ft Operating temperature -20° to 40°**





# SPIERINGS HYDRAULIC FOLDING CRANE

## SK 488 - AT7

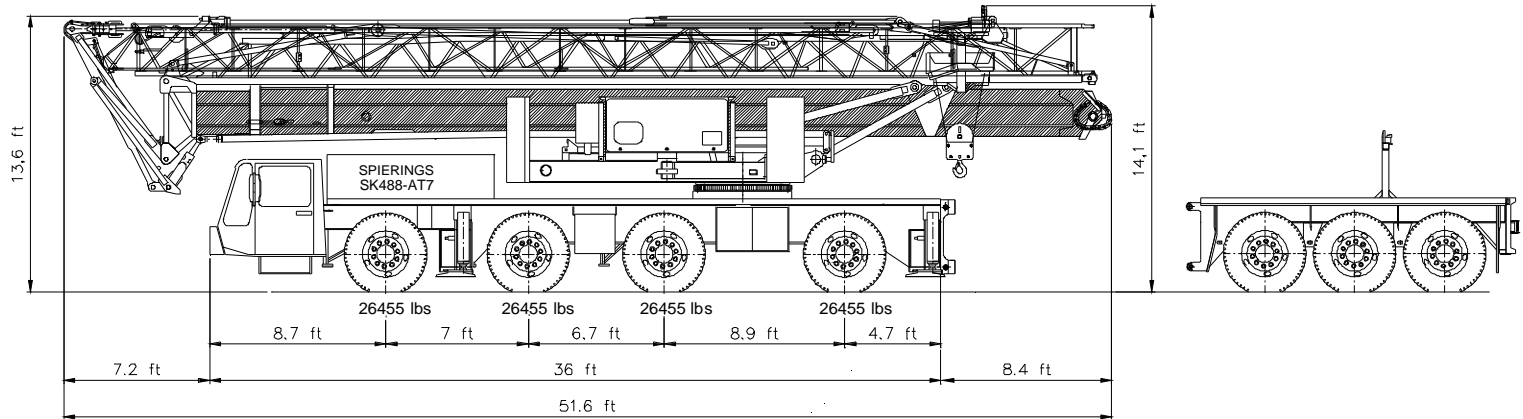
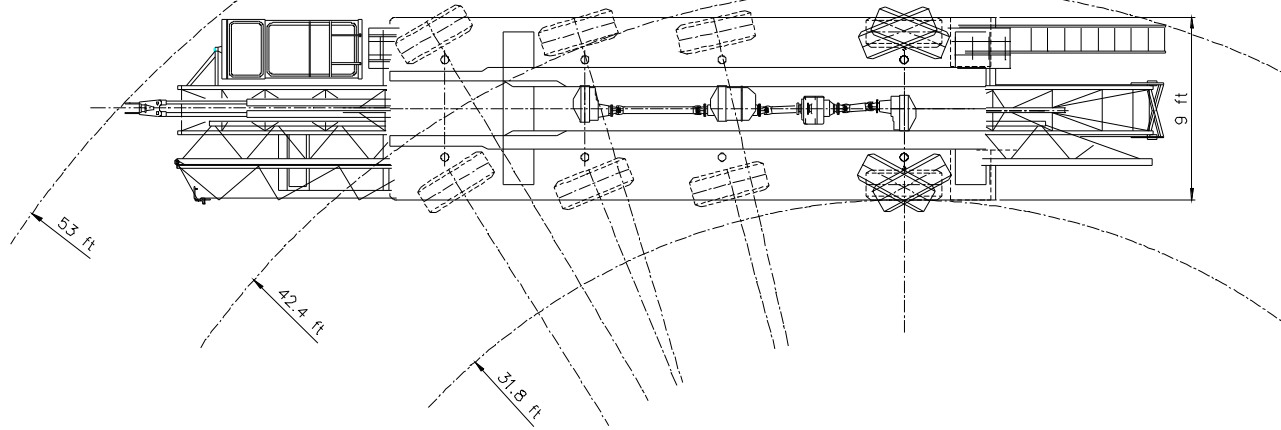
Max.axle load; 16755 lbs

Total weight: 117285 lbs



**SPIERINGS  
CRANES Ltd.**  
Box 59 Site 9 RR2  
Stony Plain AB  
Canada T7Z 1X2  
Phone 1 780 963-3929

# OFF THE ROAD



## SPIERINGS HYDRAULIC FOLDING CRANE

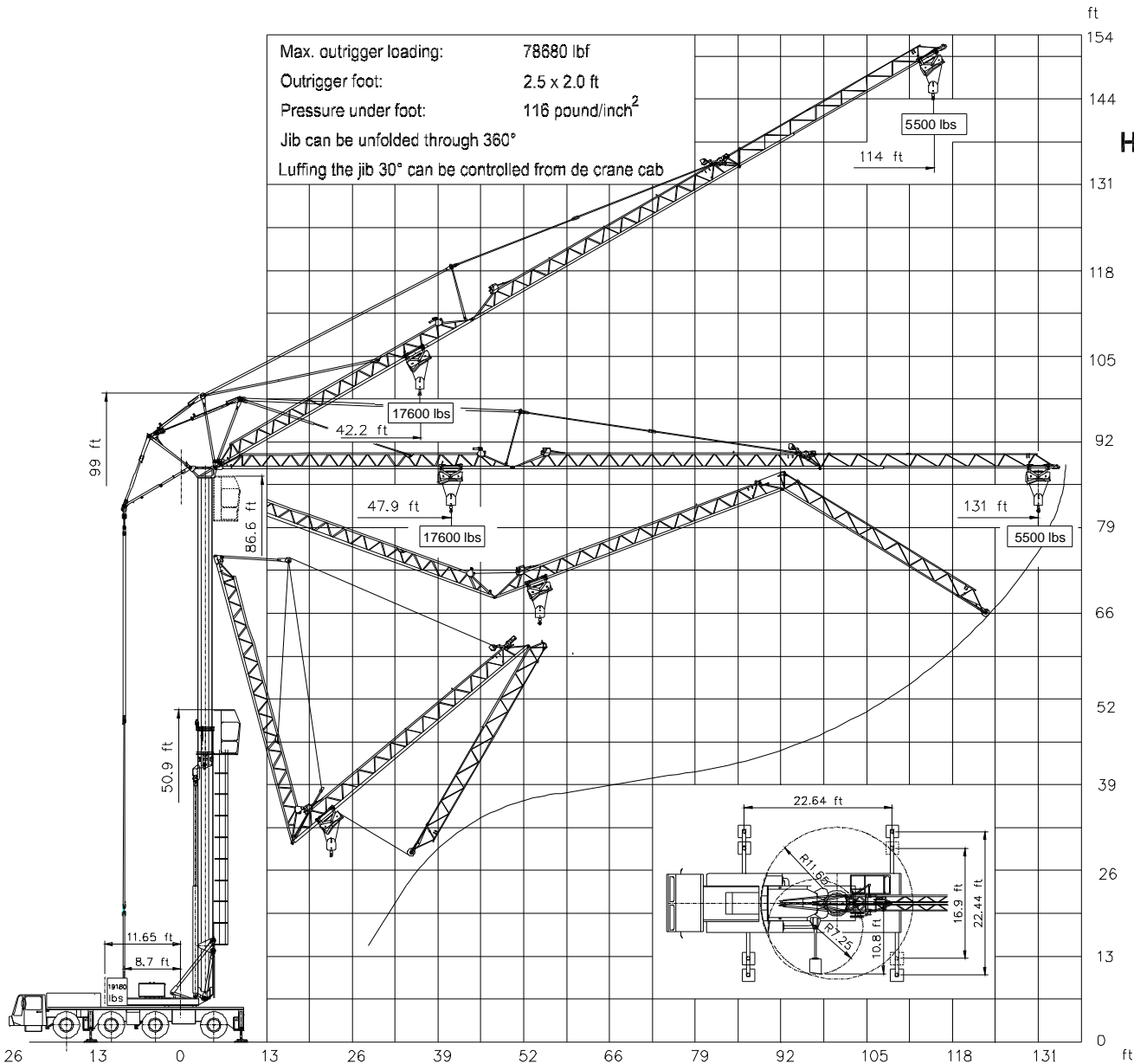
### SK 488 - AT7

Max. axle load: 26455 lbs

Total weight: 105820 lbs

 **SPIERINGS  
CRANES Ltd.**  
Box 59 Site 9 RR2  
Stony Plain AB  
Canada T7Z 1X2  
Phone 1 780 963-6326

Max. outrigger loading: 78680 lbf  
 Outrigger foot: 2.5 x 2.0 ft  
 Pressure under foot: 116 pound/inch<sup>2</sup>  
 Jib can be unfolded through 360°  
 Luffing the jib 30° can be controlled from de crane cab

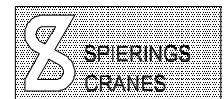


# SPIERINGS

## HYDRAULIC FOLDING CRANE

### SK 488 - AT7

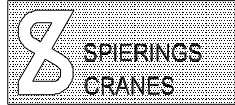
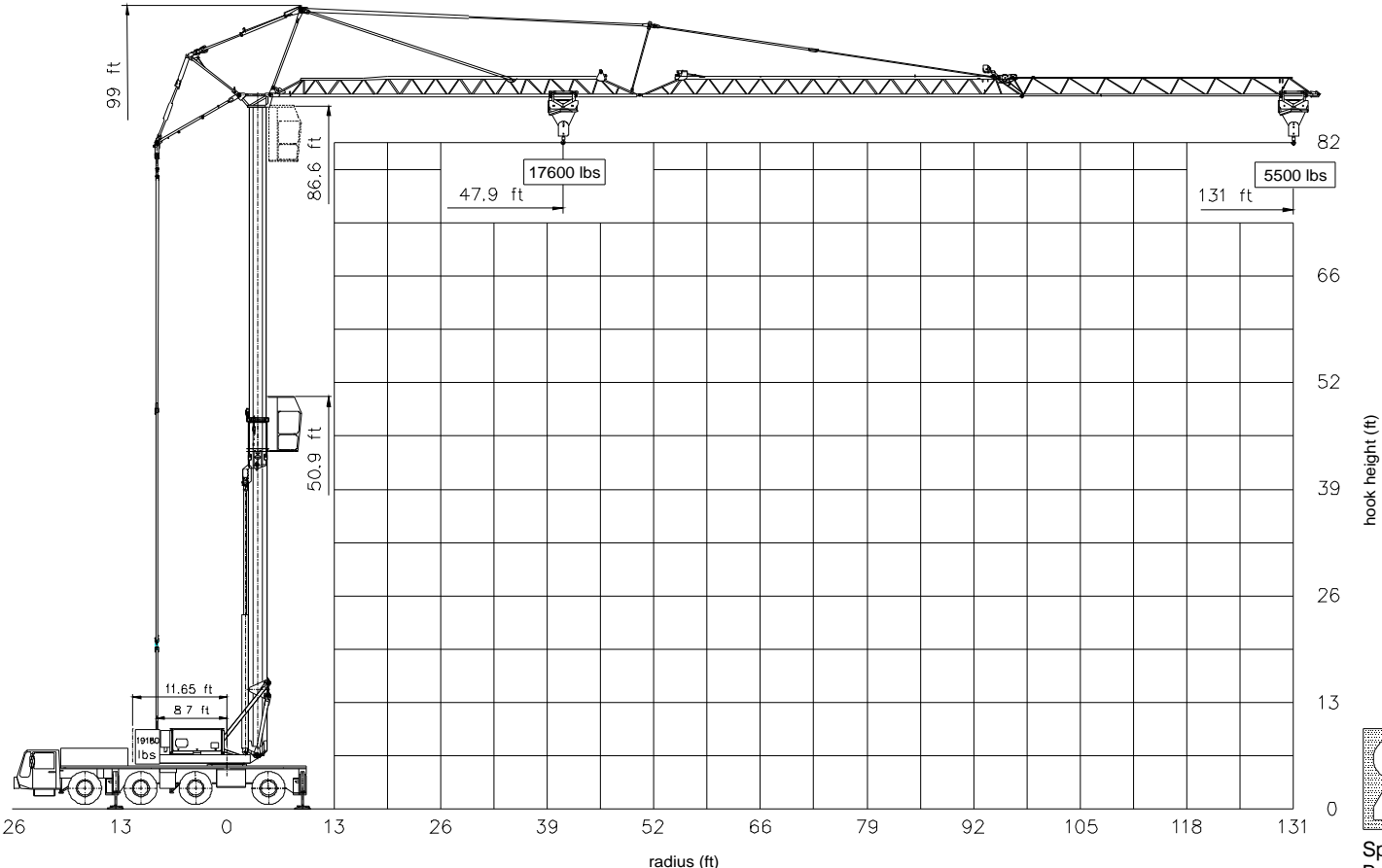
**85 % load chart**  
 in compliance with  
 Canadian standards



Spierings Cranes Canada Ltd.  
 Box 59 Site 9 RR2  
 Stony Plain AB  
 Canada T7Z 1X2  
 Phone 1 780 963-6326

# SPIERINGS HYDRAULIC FOLDING CRANE SK 488 - AT7

**85 % load chart**  
in compliance with  
Canadian standards



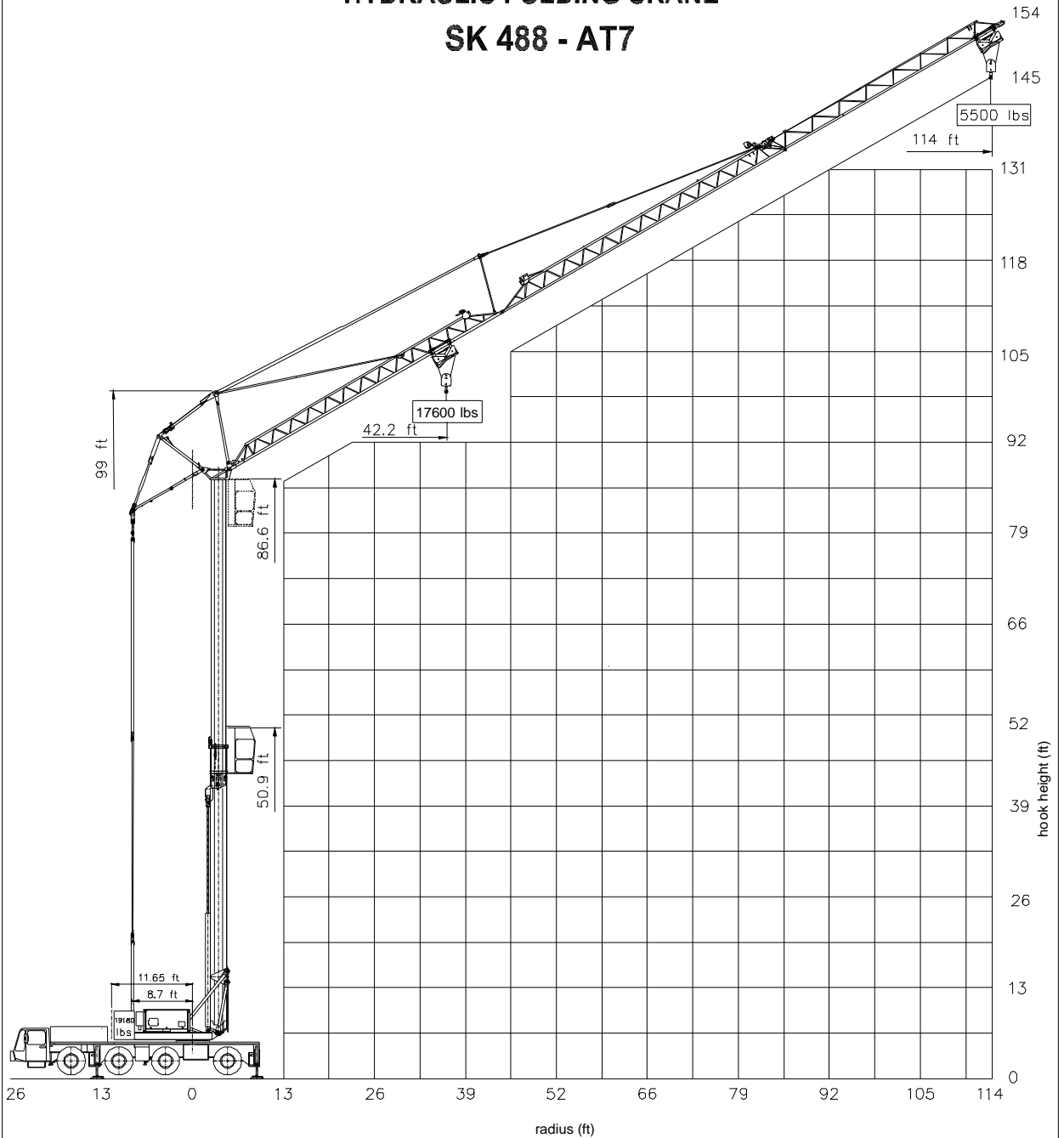
Spierings Cranes Canada Ltd.  
Box 59 Site 9 RR2  
Stony Plain AB  
Canada T7Z 1X2  
Phone 1 780 963-6326

Changes subject to modifications

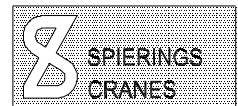
# SPIERINGS

## HYDRAULIC FOLDING CRANE

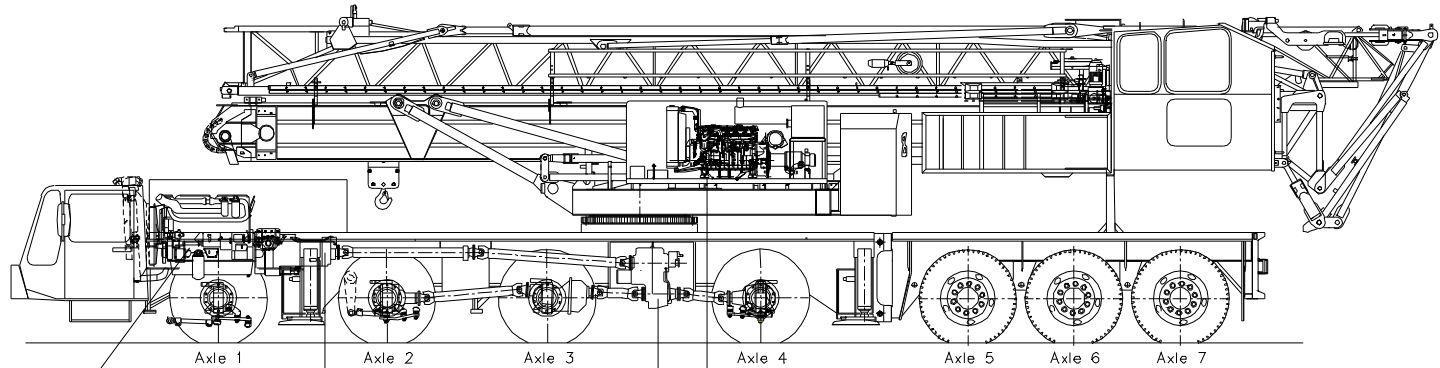
### SK 488 - AT7



**85 % load chart**  
**in compliance with**  
**Canadian standards**



Spierings Cranes Canada Ltd.  
 Box 59 Site 9 RR2  
 Stony Plain AB  
 Canada T7Z 1X2  
 Phone 1 780 963-6326



Carrier diesel engine:

Euro III  
 DAF XE 315C (12,6 ltr)  
 Power: 315 kW (1900 rpm)  
 Torque: 1950 Nm (1000 – 1500 rpm)

Gearbox:

ZF 16S151  
 Manually operated with  
 air power assistance  
 + dry plate clutch

Transferbox:

STEYR VG1600/396 with PTO  
 Road gear:  $i=0,89$   
 Off road gear:  $i=1,54$

Crane diesel engine

DETROIT VM D706 IE2  
 Power: 96 kW (2600 rpm)  
 Torque: 480 Nm (1300 rpm)

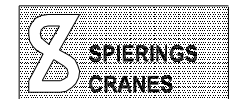
- Axle 1 : steer axle
- Axle 2 : steer drive axle
- Axle 3 : steer drive axle
- Axle 4 : steer drive axle
- Axle 5 : steer axle
- Axle 6 : steer axle
- Axle 7 : steer axle

Suspension: hydro-pneumatic on all axles; stroke cyl. : 9.7 inch

- Tyres : 445/75 R22,5
- Max. speed carrier : 52 m/h
- Min. speed carrier (engine at 1000 rpm) : 1 m/h
- Overall weight : 117285 lbs

# DRIVE TRAIN SPIERINGS HYDRAULIC FOLDING CRANE

## SK 488 - AT7



Spierings Cranes Canada Ltd.  
 Box 59 Site 9 RR2  
 Stony Plain AB  
 Canada T7Z 1X2  
 Phone 1 780 963-6326