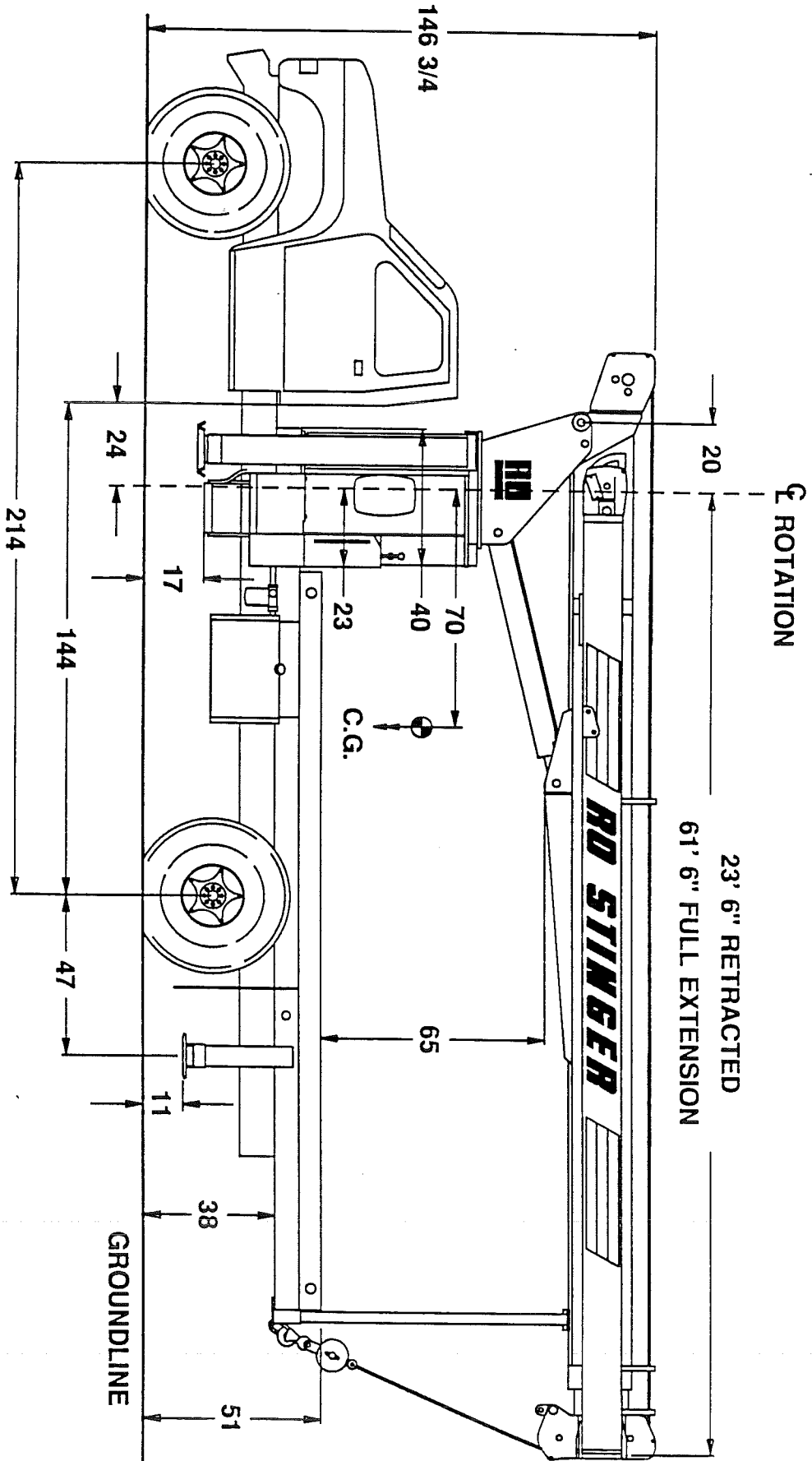


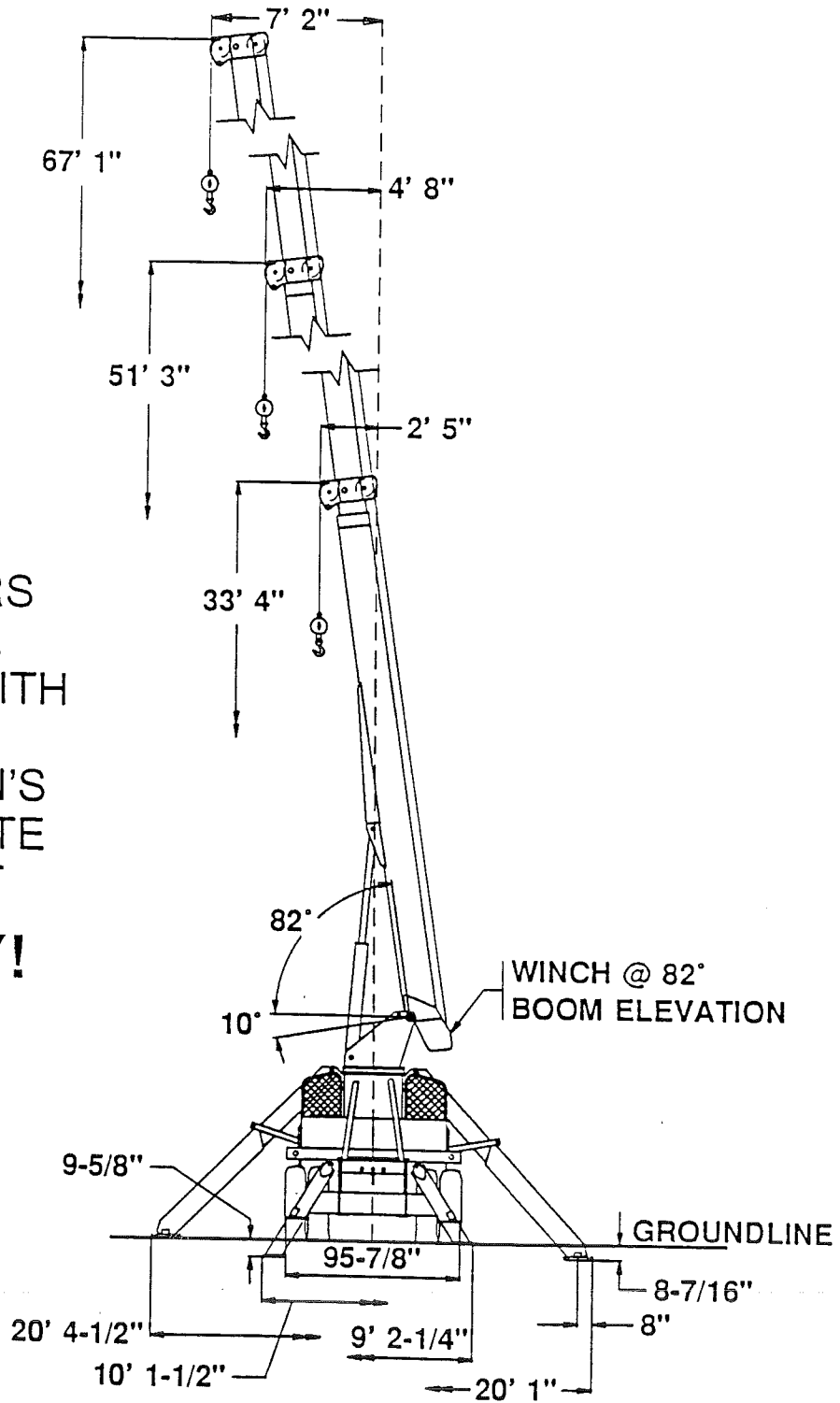
TC-2863 MODEL SPECIFICATIONS



10

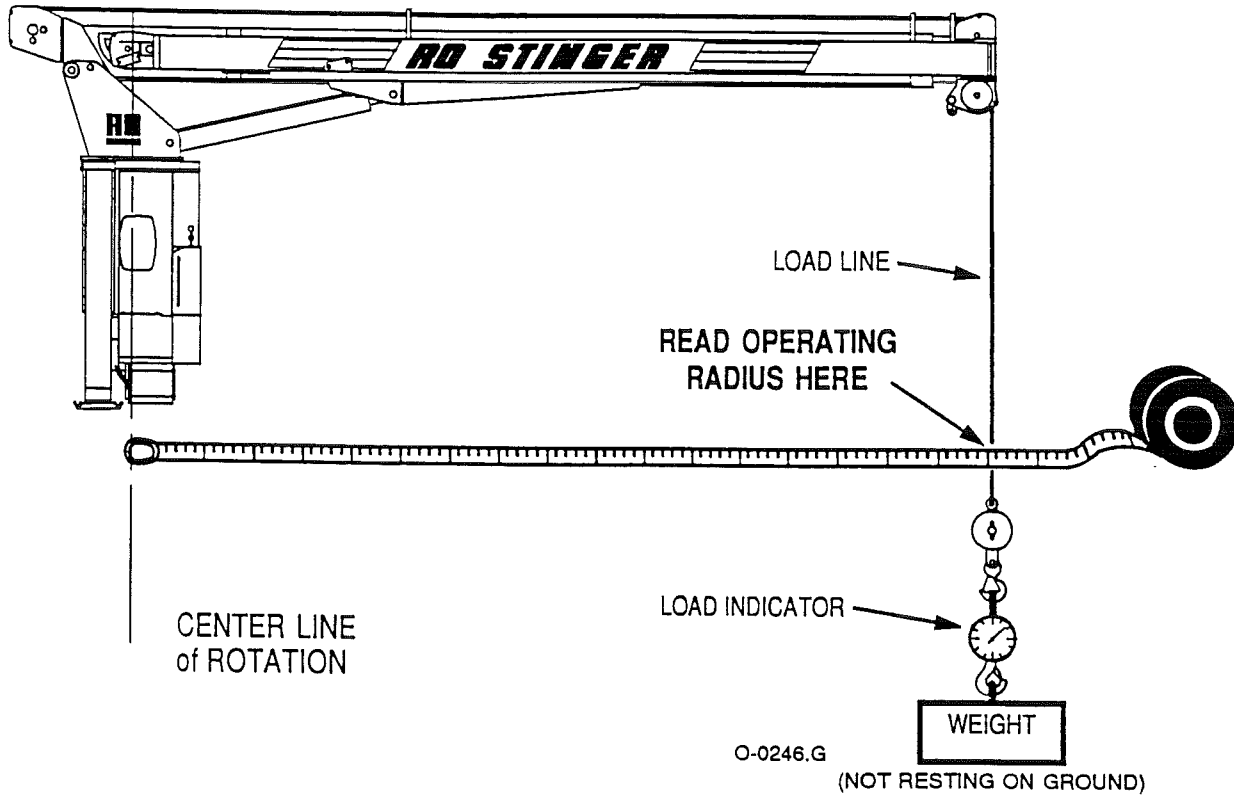
O-0244.G

OPERATORS
MUST BE
 FAMILIAR WITH
 THESE
 DIMENSION'S
 TO OPERATE
 THE UNIT
SAFELY!

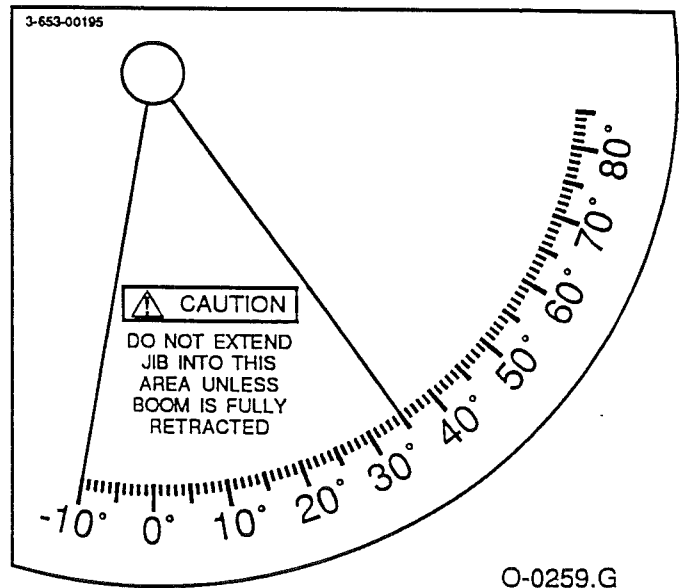
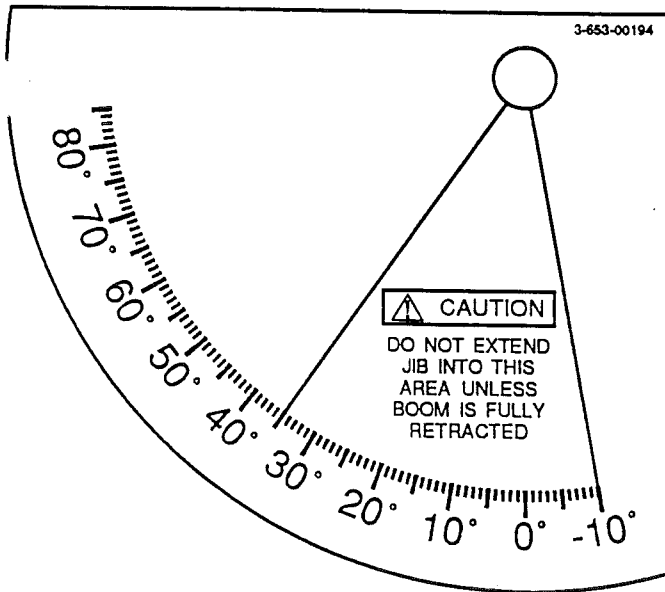


O-0297.G

A. OPERATING RADIUS



B. BOOM ANGLE PLACARDS



O-0259.G



RO CORPORATION
OLATHE, KANSAS 66061

MODEL TC-2863

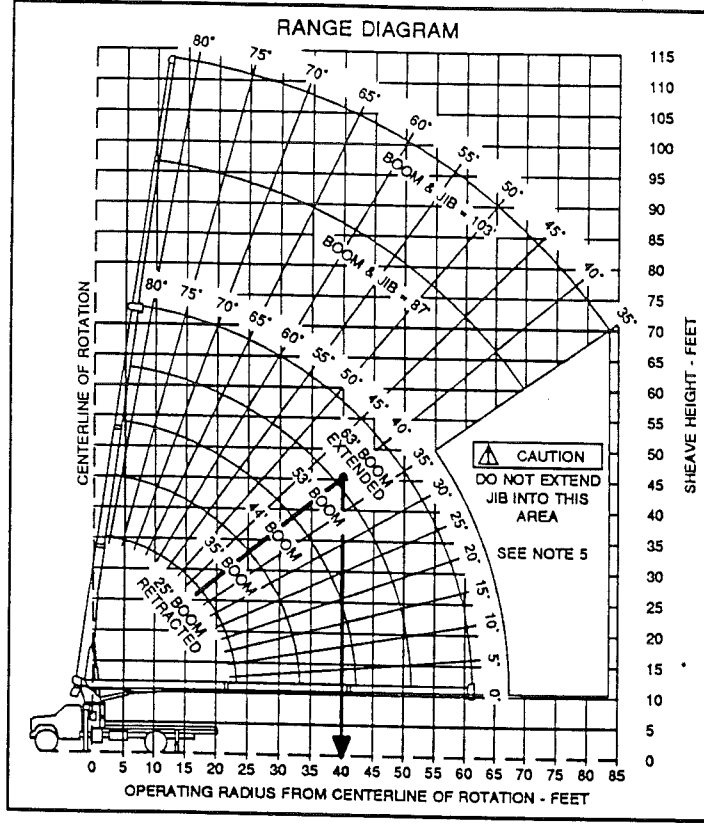
MAXIMUM LOAD CHART

U.S. PATENT NOS. 4211332, 4459788

CANADA PAT. NO. 1097265

LOAD RATINGS IN LBS. WITH OUTRIGGERS EXTENDED

OPERATING RADIUS	LOADED BOOM ANGLE					BOOM LENGTH				
	25 FT	35 FT	44 FT	53 FT	63 FT	BASE	2ND	3RD		
4	76	28800								
5	75	24000								
8	67	16650	74	14200	78	14200				
10	62	14200	70	14200	75	13050	79	12420		
12	56	12250	67	12250	73	11900	77	10750	79	9100
14	50	10580	63	10580	71	10580	74	9440	77	8300
16	43	9380	60	9380	67	9380	72	8470	75	7560
20	32	7350	52	7350	61	7350	69	6900	73	6400
25			40	5500	53	5500	61	5500	66	5260
30			24	4340	44	4340	55	4340	61	4340
35					34	3500	48	3500	56	3500
40					19	2850	40	2850	50	2850
45							31	2340	44	2340
50							17	1930	37	1930
55									27	1600
60									14	1330



O-0247.G

WARNING!

IT IS IMPORTANT THAT YOU KNOW THE WEIGHT OF ANY MATERIAL THAT YOU ATTEMPT TO HANDLE. THIS CAN BE DETERMINED BY USE OF A DYNAMOMETER OR SCALES.

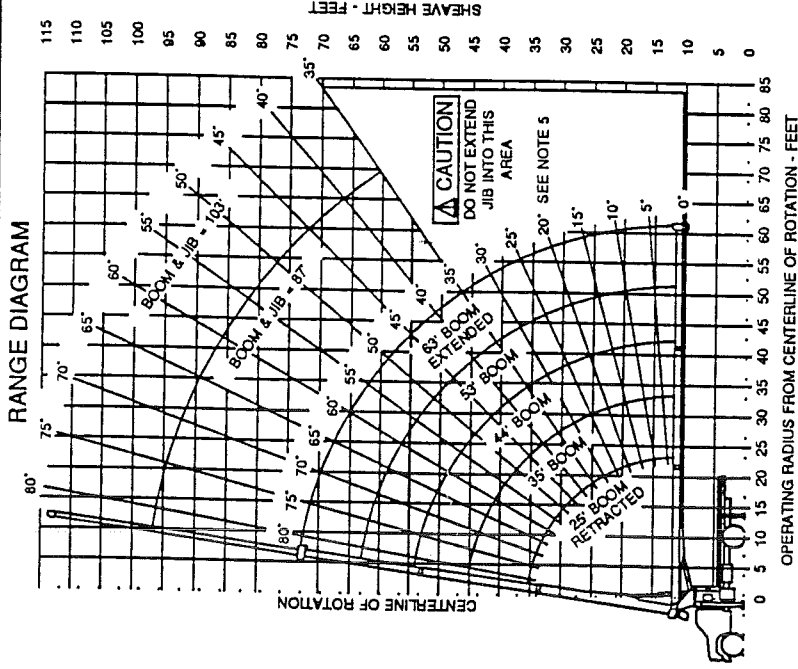
NOTE: THE MAXIMUM LOAD CHART SHOWS THE MAXIMUM LOAD. MAXIMUM LOAD IS THE WEIGHT OF THE MATERIAL BEING HANDLED PLUS SUCH LOAD HANDLING EQUIPMENT AS SLINGS, BUCKETS, DOWNHAUL WEIGHTS, ETC. THE WEIGHT OF LOAD HANDLING EQUIPMENT MUST BE DEDUCTED FROM THE MAXIMUM LOAD RATING TO DETERMINE HOW MUCH PAY LOAD YOU CAN LIFT.

LOAD CHART (CAPACITY ALERT) TC-2863

**MODEL TC-2863
CAPACITY ALERT
LOAD CHART**

RD CORPORATION
OLATHE, KANSAS 66061

U.S. PATENT NOS. 4211332, 4459786
CANADA PAT. NO. 1097265



CAUTION
DO NOT EXTEND JIB INTO THIS AREA

SEE NOTE 5

CAUTION
ANTI-TWO-BLOCK SYSTEM MUST BE IN GOOD OPERATING CONDITION BEFORE OPERATING CRANE. REFER TO OWNER'S MANUAL.

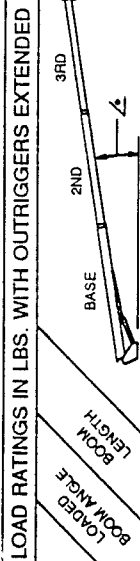
KEEP AT LEAST 3 WRAPS OF LOADLINE ON DRUM AT ALL TIMES.

USE ONLY #16" DIAMETER CABLE WITH 33,600 LB. BREAKING STRENGTH ON THIS MACHINE.

1 PART LINE OVERHAUL BALL	LOADS UP TO 9,600 LBS. STD. CABLE	6,720 LBS. ROT. RESISTANT CABLE
2 PART LINE CRANE LOAD BLOCK	LOADS UP TO 19,200 LBS. STD. CABLE	13,440 LBS. ROT. RESISTANT CABLE
3 PART LINE AUX. BLOCK CRANE LOAD BLOCK	LOADS UP TO 28,800 LBS. STD. CABLE	20,160 LBS. ROT. RESISTANT CABLE

THIS MACHINE COMPLIES WITH OSHA REGULATIONS 1910.180 AND 1926.550 WHERE APPLICABLE AT DATE OF MANUFACTURE

3-654-00382



BOOM ANGLE	BOOM LENGTH	25 FT	35 FT	44 FT	53 FT	63 FT	
4	76	28800					
5	75	24000					
8	67	16320	74	14200	78	14000	
10	62	14000	70	14000	75	12920	
12	56	12000	67	11450	73	10660	
14	50	10530	63	9930	71	9425	
16	43	9175	60	8830	67	8270	
20	32	7175	52	7100	61	6670	
25			40	5500	53	5350	
30			24	4340	44	4290	
35				3425	48	3425	
40				19	2725	40	2725
45					31	2340	
50					17	1890	
55						37	1580
60						14	1130

JIB CAPACITIES FOR ALL BOOM LENGTHS

CAPACITY ALERT SYSTEM IS NOT FUNCTIONAL WHEN LIFTING WITH JIB

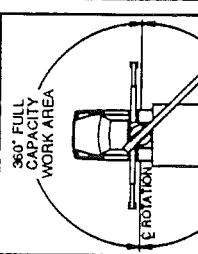
LOADED BOOM ANGLE	35°	40°	45°	50°	55°	60°	65°	70°	75°	80°
RETRACTED 24 FT JIB	700	825	1000	1150	1340	1600	1900	2300	3100	4160
EXTENDED 40 FT JIB	520	580	650	730	810	930	1080	1400	1810	2260

⚠ DANGER

1. THE OPERATOR MUST READ AND UNDERSTAND THE OWNER'S MANUAL BEFORE OPERATING THIS CRANE.
2. POSITIONING OR OPERATION OF CRANE BEYOND AREAS SHOWN ON THIS CHART IS NOT INTENDED OR ALLOWED EXCEPT AS SPECIFIED IN OWNER'S MANUAL.
3. THE BOOM ANGLE BEFORE LOADING SHOULD BE GREATER TO ACCOUNT FOR DEFLECTIONS. DO NOT EXCEED THE OPERATING RADIUS FOR RATED LOADS.
4. USE RATING OF NEXT LONGER BOOM FOR BOOM LENGTHS NOT SHOWN. USE RATING OF NEXT GREATER BOOM MUST BE FULLY EXTENDED WHEN JIB IS ERRECTED BEFORE LOWERING BELOW A 35° BOOM ANGLE.
5. CRANE HAS NO LIFTING CAPACITY BELOW A 35° BOOM ANGLE.
6. USE RATING OF NEXT LOWER BOOM ANGLE FOR BOOM ANGLES NOT SHOWN ON JIB LOAD RATING CHART.
7. CLIPPING OFF THE MAIN BOOM POINT WHILE THE SWING AROUND JIB IS ERRECTED IS NOT INTENDED.
8. CRANE LOAD RATINGS ON OUTRIGGERS ARE BASED ON FREELY SUSPENDED LOADS WITH THE MACHINE LEVELED AND STANDING ON A FIRM UNIFORM SUPPORTING SURFACE. NO ATTEMPT SHALL BE MADE TO MOVE A LOAD HORIZONTALLY ON THE GROUND IN ANY DIRECTION.
9. CRANE LOAD RATINGS ARE BASED ON WINDS OF 15 MPH OR LESS. WIND AND OTHER FACTORS AFFECTING STABILITY SUCH AS HAZARDOUS SURFACE CONDITIONS, EXPERIENCE OF PERSONNEL, AND PROPER HANDLING, MUST ALL BE TAKEN INTO ACCOUNT BY THE OPERATOR.
10. THE MAXIMUM LOAD WHICH MAY BE TELESCOPED IS LIMITED BY HYDRAULIC PRESSURE, BOOM ANGLE, AND BOOM LUBRICATION. IT IS SAFE TO ATTEMPT TO TELESCOPE ANY LOAD WITHIN THE LIMITS OF THE LOAD RATING CHART.

DEFINITIONS

1. DEDUCTIONS MUST BE MADE FROM RATED LOADS FOR STOWED JIB, OPTIONAL ATTACHMENTS, HOOKS AND LOADLINES. USE THE RATING WHICH IS THE LEAST OF SLINGS AND ALL OTHER LOAD HANDLING DEVICES SHALL BE CONSIDERED A PART OF THE LOAD.
 2. CRANE LOAD RATINGS WITH OUTRIGGERS ARE BASED ON OUTRIGGERS AND STABILIZERS EXTENDED AND SET WITH ALL LOAD REMOVED FROM THE CARRIER WHEELS.
 3. LOAD RATINGS DO NOT EXCEED 85% OF TIPPING LOAD.
- INFORMATION**
1. DEDUCTIONS MUST BE MADE FROM RATED LOADS FOR STOWED JIB, OPTIONAL ATTACHMENTS, HOOKS AND LOADLINES. USE THE RATING WHICH IS THE LEAST OF SLINGS AND ALL OTHER LOAD HANDLING DEVICES SHALL BE CONSIDERED A PART OF THE LOAD.
 2. CRANE LOAD RATINGS WITH OUTRIGGERS ARE BASED ON OUTRIGGERS AND STABILIZERS EXTENDED AND SET WITH ALL LOAD REMOVED FROM THE CARRIER WHEELS.
 3. LOAD RATINGS DO NOT EXCEED 85% OF TIPPING LOAD.
- REMOVAL OF THIS PLACARD IS A VIOLATION OF THE LAW**



DEDUCTIONS FROM RATED LOADS FOR LOAD HANDLING DEVICES

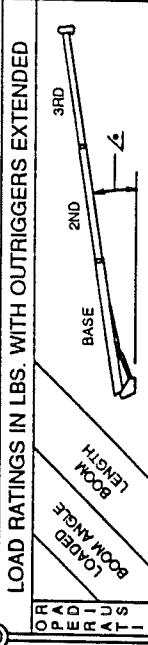
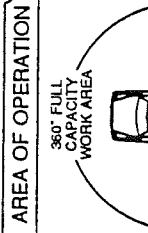
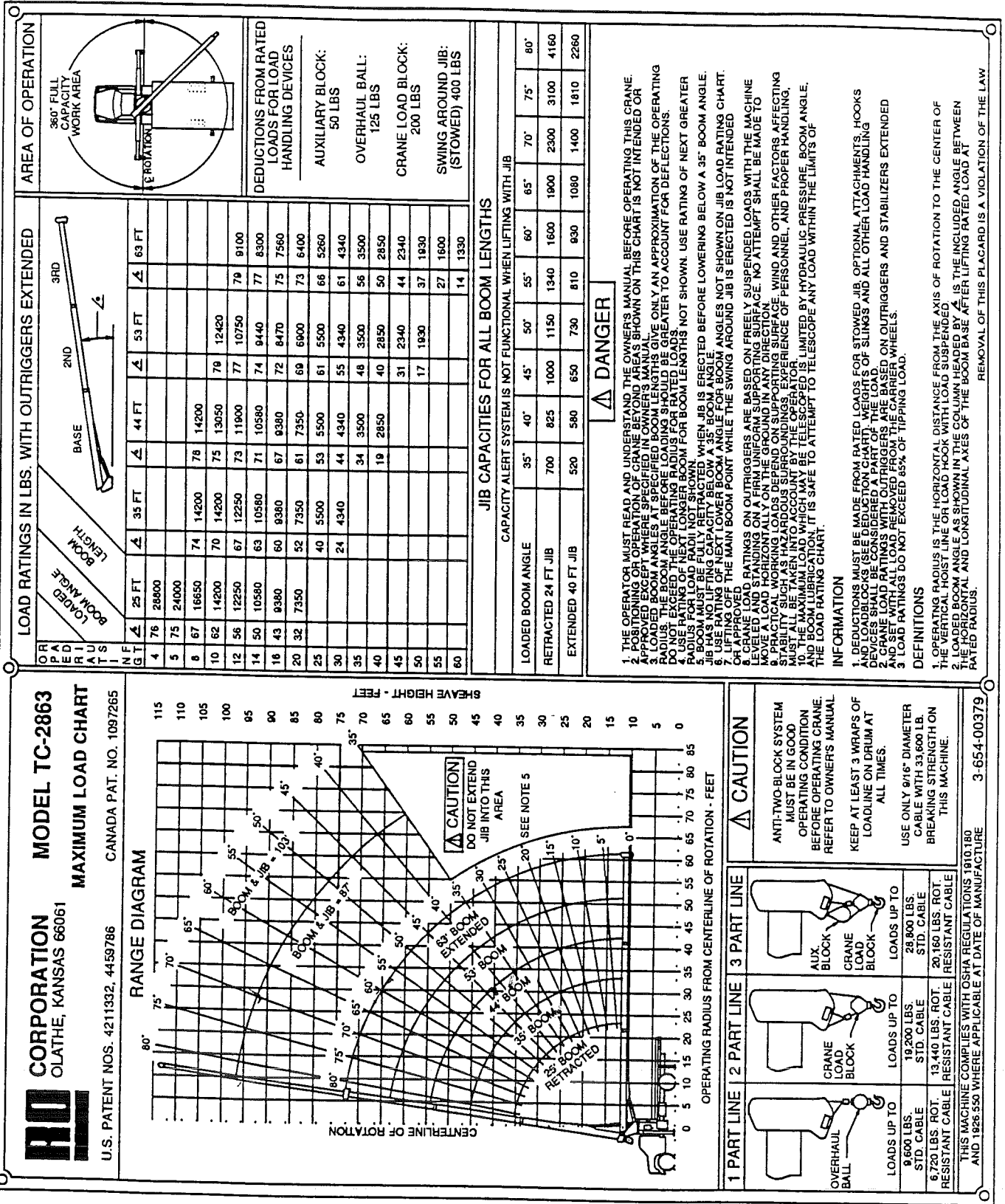
AUXILIARY BLOCK:
50 LBS

OVERHAUL BALL:
125 LBS

CRANE LOAD BLOCK:
200 LBS

SWING AROUND JIB:
(STOWED) 400 LBS.

LOAD CHART (STANDARD) TC-2863



BOOM ANGLE	25 FT	35 FT	44 FT	53 FT	63 FT
4	76	28800			
5	75	24000			
8	67	16650	74	14200	
10	62	14200	70	14200	78
12	56	12250	67	12250	77
14	50	10580	63	10580	74
18	43	9380	60	9380	72
20	32	7350	52	7350	61
25			40	5500	53
30			24	4340	44
35				34	3500
40				19	2850
45					31
50					17
55					37
60					27
63					14

JIB CAPACITIES FOR ALL BOOM LENGTHS

CAPACITY ALERT SYSTEM IS NOT FUNCTIONAL WHEN LIFTING WITH JIB

LOADED BOOM ANGLE	35°	40°	45°	50°	55°	60°	65°	70°	75°	80°
RETRACTED 24 FT JIB	700	825	1000	1150	1340	1600	1900	2300	3100	4160
EXTENDED 40 FT JIB	520	580	650	730	810	930	1080	1400	1810	2260

⚠ DANGER

1. THE OPERATOR MUST READ AND UNDERSTAND THE OWNER'S MANUAL BEFORE OPERATING THIS CRANE.
 2. POSITIONING OR OPERATION OF CRANE BEYOND AREAS SHOWN ON THIS CHART IS NOT INTENDED OR APPROVED EXCEPT WHERE SPECIFIED IN OWNER'S MANUAL.
 3. THE BOOM ANGLE BEFORE LIFTING SHOULD BE GREATER TO ACCOUNT FOR DEFLECTIONS.
 4. DO NOT EXCEED THE OPERATING RADIUS FOR RATED LOADS.
 5. USE RATING OF NEXT LONGER BOOM FOR BOOM LENGTHS NOT SHOWN. USE RATING OF NEXT GREATER BOOM LENGTH FOR NEXT LONGER BOOM.
 6. BOOM MUST BE FULLY EXTENDED WHEN JIB IS ERECTED BEFORE LOWERING BELOW A 35° BOOM ANGLE. JIB HAS NO LIFTING CAPACITY BELOW A 35° BOOM ANGLE.
 7. USE RATING OF NEXT LOWER BOOM ANGLE FOR BOOM ANGLE NOT SHOWN ON JIB LOAD RATING CHART.
 8. LIFTING OFF THE MAIN BOOM POINT WHILE THE SWING AROUND JIB IS ERECTED IS NOT INTENDED.
 9. CRANE LOAD RATINGS ON OUTRIGGERS ARE BASED ON FREELY SUPPORTING SURFACE. NO ATTEMPT SHALL BE MADE TO LEVEL AND STAND ON A FIRM UNIFORM SUPPORTING SURFACE.
 10. WIND AND OTHER FACTORS AFFECTING PRACTICAL WORKING LOADS DEPEND ON SUPPORTING SURFACE.
 11. THE MAXIMUM LOAD WHICH MAY BE TAKEN INTO ACCOUNT BY THE OPERATOR MUST BE TAKEN INTO ACCOUNT BY THE OPERATOR.
 12. THE MAXIMUM LOAD WHICH MAY BE TELESCOPED IS LIMITED BY HYDRAULIC PRESSURE, BOOM ANGLE, AND BOOM LUBRICATION. IT IS SAFE TO ATTEMPT TO TELESCOPE ANY LOAD WITHIN THE LIMITS OF THE LOAD RATING CHART.
- DEFINITIONS**
1. OPERATING RADIUS IS THE HORIZONTAL DISTANCE FROM THE AXIS OF ROTATION TO THE CENTER OF THE VERTICAL HOIST LINE OR LOAD HOOK WITH LOAD SUSPENDED.
 2. LOADED BOOM ANGLE AS SHOWN IN THE COLUMN HEADED BY Δ IS THE INCLUDED ANGLE BETWEEN THE HORIZONTAL AND LONGITUDINAL AXES OF THE BOOM BASE AFTER LIFTING RATED LOAD AT RATED RADIUS.
- REMOVAL OF THIS PLACARD IS A VIOLATION OF THE LAW**