

Series **500E**

product guide

features

- All New Design
- 71' Three-Section Boom
- 18 Ton Rating
- Self-lubrication "Easy Glide" Wear Pads
- Internal Anti-two-block
- Auxiliary Stabilizers
- Variable Displacement Hydraulic System



contents

Features	2
Mounting Configurations	3
Specifications	4
Capacities: With 41' Jib	5
Capacities: No Jib	6
Accessories	7

features

Why Buy a National Series 500E?

2



- **18 ton Rating** – The new 500E provides a 18-ton capacity.
- **New 71 ft. Three-section Boom** – The longest in its size range. The longer boom allows the operator to perform more lifts without the use of a jib, reducing setup time and improving efficiency.
- **Self-lubricating “Easy glide” Wear Pads** – The self-lubricating pads, standard on the 500E reduce the conditions that cause boom chatter and vibration. The net result is smoother crane operation.
- **Internal Anti-two-block** – The patent-pending design, standard on the 500E eliminates the external reel and wire. No more snagging reel or wire on obstructions.
- **Adjustable Swing Speed** – A control knob located on the swing motor brake release valve can be easily adjusted to the crane operator’s swing speed preference.
- **Optional New Integral Steel Torsion Bedbox** – Integral welded torsion box and flatbed. Further reduces frame flex.
- **Auxiliary Stabilizers** –
 - Independent stabilizer control
 - Bolt/Clamp on rear stabilizers
- **Quick-reeve Boom Tip and Sheave Blocks** – These standard features simplify rigging changes.
- **Pre-painted Components** – Painting crane components before assembly reduces the possibility of rust, improves serviceability and enhances the appearance of the machine.
- **Burst-of-Speed Winch** – Provides faster winch payout and pickup of unloaded cable.
- **Improved Serviceability** –
 - A removable winch allows the internal telescoping cylinder to be removed quickly, without dismantling the boom.
 - Bearings on the boom extend and retract cables can be greased through access holes in the boom side plates.
 - Internal anti-two-block wire routing eliminates damage potential.
 - The boom sheave case is open, allowing access to replace the internal anti-two-block wire and to observe internal boom components.
 - Pre-paint reduces rust.
 - Internal boom parts have been reduced, decreasing service time when rebuilding the machine.
- **New State-of-the-art Hydraulic System** – Provides smoothest operation in the market.
 - The hydraulic system features a control strategy of constant pressure, flow on demand to optimize performance. This control strategy matches the required flow to the demand (speed) of the function while the variable displacement piston pump is regulated to maintain a constant pressure to the eight section main valve. Because the pump pressure is constant, multi-function operation is very good, and precise, smooth metering is assured regardless of load.
 - Main valve spools are designed to both meter the flow and limit the maximum flow to each function. Available oil flow is optimized by using “gravity” for Lift down – no pump flow is necessary.
- **National Crane Is the Market Leader** – National is number one in the production of commercial truck-mounted boom trucks.
 - National has the boom truck industry’s leading test program. Every structural part of the crane is fully life cycle tested at full capacity. In addition to cycle testing, each model is subjected to state-of-the-art strain gauge testing that measures metal deformation as small as one-millionth of an inch. The net result is that weak areas are caught in test, not on job sites where costly downtime occurs.
 - All outrigger, lift and telescoping cylinders are manufactured to National Crane Designs, so that the seals, packing glands, and end plates are traced for accurate shipment of replacement parts.
 - National has a formalized quality program and is ISO 9001 approved.
- **National Crane Is a Quality Product That Will Provide Years of Service**
 - Parts are available for all National Crane machines, even if they are over 20 years old.

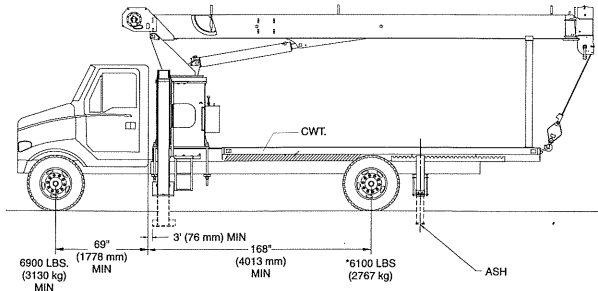
- 18-ton (15.4-t) maximum capacity
- 121 ft. (36.9 m) maximum vertical reach*
- 81 ft. (24.7 m) maximum vertical hydraulic reach*
- Hydraulic Capacity Alert system (HCA)
- Proportional boom extension
- High performance planetary winch
- Heavy-duty piston pump hydraulics

* Maximum vertical reach is ground-level to boom tip height at maximum extension and angle with outriggers/stabilizers fully extended.

500E

mounting configurations

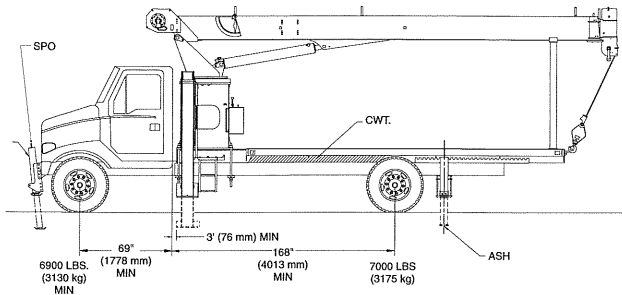
The configurations are based on the Series 500E with an 85% stability factor. The complete unit must be installed in accordance with factory requirements and a test performed to determine actual stability and counterweight requirements since individual truck chassis vary.



Configuration 1 with Torsion Box – 180° Full Capacity Work Area

Working area	180°
Gross Axle Weight Rating Front.....	12,000 lb (5443 kg)
Gross Axle Weight Rating Rear	21,000 lb (9525 kg)
Gross Vehicle Weight Rating.....	33,000 lb (14,968 kg)
Wheelbase.....	237 in (602 cm)
Cab to Axle/trunnion (CA/CT).....	168 in (427 cm)
Frame Section Modulus (SM) under crane:	
110,000 PSI (758 MPa)	15.9 in ³ (261 cm ³)
Frame Section Modulus (SM) over rear stabilizers:	
110,000 PSI (758 MPa)	13 in ³ (213 cm ³)
Stability Weight, Front	6,900 lb (3130 kg) minimum*
Stability Weight, Rear	6,100 lb (2767 kg) minimum*
Estimated Average Final Weight	30,000 lb (13,608 kg)

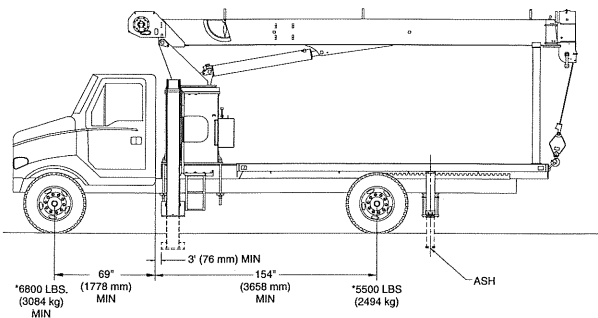
This configuration is the least expensive method for the Model 571E. This mount, with the crane mounted behind the cab, requires the least weight of all mounts for stability; thus, you can haul larger payloads on your truck. It requires standard subbase and rear (ASH) stabilizers.



Configuration 2 with Torsion Box – 360° Full Capacity Work Area

Working area	360°
Gross Axle Weight Rating Front.....	12,000 lb (5443 kg)
Gross Axle Weight Rating Rear	21,000 lb (9525 kg)
Gross Vehicle Weight Rating.....	33,000 lb (14,968 kg)
Wheelbase.....	237 in (602 cm)
Cab to Axle/trunnion (CA/CT).....	168 in (427 cm)
Frame Section Modulus (SM) under crane:	
110,000 PSI (758 MPa)	15.9 in ³ (261 cm ³)
Frame Section Modulus (SM) over rear stabilizers:	
110,000 PSI (758 MPa)	13 in ³ (213 cm ³)
Stability Weight, Front	6,900 lb (3130 kg) minimum*
Stability Weight, Rear	7,000 lb (3175 kg) minimum*
Estimated Average Final Weight	30,500 lb (13,835 kg)

Requires front SFO stabilizer to give machine full capacity 360° around the truck. Truck must meet the minimum requirements above. Front stabilizer gives the machine a solid base, helping the operator control loads precisely.



Configuration 3 with Torsion Box – 180° Full Capacity Work Area

Working area	180°
Gross Axle Weight Rating Front.....	12,000 lb (5443 kg)
Gross Axle Weight Rating Rear	21,000 lb (9,525 kg)
Gross Vehicle Weight Rating.....	33,000 lb (14,968 kg)
Wheelbase.....	223 in (566 cm)
Cab to Axle/trunnion (CA/CT).....	154 in (391 cm)
Frame Section Modulus (SM) under crane:	
110,000 PSI (758 MPa)	15.9 in ³ (261 cm ³)
Frame Section Modulus (SM) over rear stabilizers:	
110,000 PSI (758 MPa)	13 in ³ (213 cm ³)
Stability Weight, Front	6,800 lb (3084 kg) minimum*
Stability Weight, Rear	5,500 lb (2494 kg) minimum*
Estimated Average Final Weight	28,750 lb (13,040 kg)

Allows the installation of the Model 560E on a chassis with a small frame by using the standard sub-base for 18' bed. In most cases, the chassis will not require reinforcing, and the amount of counterweight required is minimized, increasing payload capacities.

Notes:

- Gross Vehicle Weight rating (GVWR) is dependent on all components of the vehicle (axles, tires, springs, frame, etc.) meeting manufacturers' recommendations: always specify GVWR when purchasing trucks
- Diesel engines require a variable speed governor and energize-to-run fuel solenoid for smooth crane operation; electronic fuel injection requires EET engine remote throttle

- All mounting data is based on a National Series 500E with an 85 percent stability factor
- The complete unit must be installed in accordance with factory requirements, and a test performed to determine actual stability and counterweight requirements per SAE J765; contact the factory for details
- Transmission neutral safety interlock switch is required with optional remote control

*Estimated axle scale rates prior to installation of crane, stabilizers and subbase for 85% stability.

3

500E

specifications

Boom and Jib Combinations Data

Available in two basic models.

- 4 Model 560E** – Equipped with a 24-60 ft. (7.31-18.29 m) three-section boom. This model can be equipped with a 23-41 ft. (7.01-12.50 m) two-section jib. Maximum tip height w/41 ft. (12.50 m) jib is 110 ft. (33.53 m).
24-60 ft. (7.31-18.29 m) three-section boom.



24-60 ft. (7.31-18.29 m) three-section boom.

5FJ41M 23-41 ft. (7.01-12.50 m) two-section jib



- Model 571E** – Equipped with a 27-71 ft. (8.23-21.65 m) three-section boom. This model can be equipped with a 23-41 ft. (7.01-12.50 m) two-section jib. Maximum tip height w/41 ft. (12.50 m) jib is 121 ft. (36.9 m).
27-71 ft. (8.23-21.65 m) three-section boom.



27-71 ft. (8.23-21.65 m) three-section boom.

5FJ41M 23-41 ft. (7.01-12.50 m) two-section jib


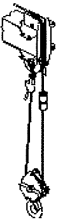





Note: Maximum tip is measured with outriggers/stabilizers fully extended.

500E Winch Data

500E Winch Data

- All winch pulls and speeds in this chart are shown on the fourth layer
- Winch line pulls would increase on the first and second layers
- Winch line pulls may be limited by the winch capacity or the ANSI 5 to 1 cable safety factor, shown below this chart
- Hook blocks are rated at maximum capacity for the block. **Do not exceed rated cable pull with any block.**

Winch	Cable Supplied	Average Breaking Strength	1 Part Line	2 Part Line	3 Part Line	4 Part Line	5 Part Line
			Lift and Speed	Lift and Speed	Lift and Speed	Lift and Speed	Lift and Speed
Standard Planetary Winch	9/16" Diameter Rotation Resistant	38,500 lb (17,463 kg)	 7,700 lb (3 492.66 kg) 110 fpm (33.53 m/m)	 15,400 lb (6 985.32 kg) 55 fpm (16.76 m/m)	 23,100 lb (10 477.98 kg) 37 fpm (11.28 m/m)	 30,800 lb (13 970.65 kg) 28 fpm (8.54 m/m)	 36,000 lb (14 514.96 kg) 22 fpm (6.71 m/m)
Standard With "Burst-of-Speed"	9/16" Diameter Rotation Resistant	38,500 lb (17,463 kg)	7,700 lb (3 492.66 kg) 193 fpm (58.83 m/m)	15,400 lb (6 985.32 kg) 97 fpm (29.57 m/m)	23,100 lb (10 477.98 kg) 64 fpm (19.51 m/m)	30,800 lb (13 970.65 kg) 49 fpm (14.94 m/m)	36,000 lb (14 514.96 kg) 39 fpm (11.89 m/m)

500E

Winch	Bare Drum Pull	Allowable Cable Pull
With standard rotation resistant rope	10,200 lb (4627 kg)	7,700 lb (3493 kg)

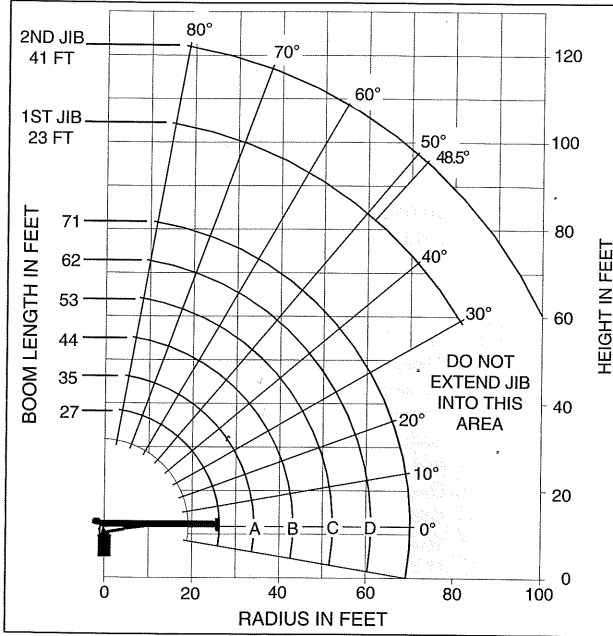
Block Type	Rating	Weight
Downhaul Weight	3.85 ton (3.49 t)	150 lb (68 kg)
1 Sheave Block	11.55 ton (10.48 t)	200 lb (91 kg)
2 Sheave Block	19.25 ton (17.46 t)	355 lb (161 kg)

capacities

Load Rating Chart: Series 571E with 41 ft. Jib

Series 500E Load Rating Charts are available for the Model 560E crane. National will send you a chart by FAX or mail on request – or you may secure needed load rating information through your nearest National dealer.

5



CAUTION:

- Do not operate crane booms, jib extensions, any accessories or loads within 10 ft (3m) of live power lines or other conductors of electricity.
- Jib and boom capacities shown are maximum for each section.
- Do not exceed capacities at reduced radii
- Load ratings shown on the load rating charts are maximum allowable loads with the outriggers properly extended on a firm, level surface and the crane leveled and mounted on a factory recommended truck.
- Always level the crane with the level indicator located on the crane.
- The operator must reduce load to allow for factors such as wind, ground conditions, operating speeds and their effects on freely suspended loads.
- Overloading this crane may cause structural collapse or instability.
- Weights on any accessories attached to the boom or loadline must be deducted from the load chart capacities.
- Do not exceed jib capabilities at any reduced boom lengths.
- Do not deadhead lineblock against boom tip when extending boom or winching up.
- Keep at least three wraps of loadline on drum at all times.
- Use only specified cable with this machine.

**SERIES 571E
WITH
41 FT JIB**

NOTE:

1. Operate with jib by radius when main boom is fully extended. If necessary increase boom angle to maintain loaded radius.
2. Operate with jib by boom angle when main boom is not fully extended. Do not exceed rated jib capacities at any reduced boom lengths.

LOADLINE EQUIPMENT DEDUCT (lb.)

Downhaul weight 150
One sheave block 200
Two sheave block 355

Load Rating: Series 571E with 41 ft. Jib

LOAD RATINGS IN POUNDS

LOAD RADIUS (FEET)	LOADED BOOM ANGLE	27 FT BOOM	LOADED BOOM ANGLE	A 35 FT BOOM	LOADED BOOM ANGLE	B 44 FT BOOM	LOADED BOOM ANGLE	C 53 FT BOOM	LOADED BOOM ANGLE	D 62 FT BOOM	LOADED BOOM ANGLE	71 FT BOOM	LOAD RADIUS (FEET)	LOADED BOOM ANGLE	23 FT JIB	LOADED BOOM ANGLE	41 FT JIB
5	77.5°	36,000											20	79°	3,400		
8	70.5	24,050	75.5°	20,100									25	75.5	2,900	78.5°	2,050
10	66	18,900	72	16,800	76.5°	16,300	79.5°	16,050					30	72.5	2,450	76	1,800
12	61	15,650	68.5	14,400	73.5	13,950	77	13,700					35	69	2,100	73	1,550
14	56	13,650	64.5	12,600	71	12,200	75	11,950	77.5°	11,750			40	65.5	1,800	70.5	1,400
16	50.5	12,000	61	11,150	68	10,800	72.5	10,550	75.5	10,400	78°	9,350	45	62	1,600	67.5	1,200
20	37.5	9,350	53	9,000	62	8,750	68	8,550	72	8,400	75	7,750	50	58.5	1,450	65	1,050
25	14	5,700	41	7,000	55	6,950	62	6,850	67	6,700	70.5	6,500	55	54.5	1,250	62	950
30			26.5	5,200	46	5,660	55.5	5,650	62	5,550	66.5	5,450	60	50.5	1,100	59	850
35					35.5	4,500	48.5	4,700	56.5	4,650	61.5	4,550	65	46	950	56	750
40					20	3,200	40.5	3,850	50.5	3,950	57	3,850	70	41.5	850	52.5	600
45							30.5	3,100	43.5	3,300	51.5	3,300	75	36	750	48.5	500
50							14	2,000	36	2,750	46	2,800	80	30	650		
55										26	2,150	39.5	2,350				
60												32	1,950				
65												22.5	1,400				
	0	3,500	0	2,200	0	1,350	0	900	0	500							

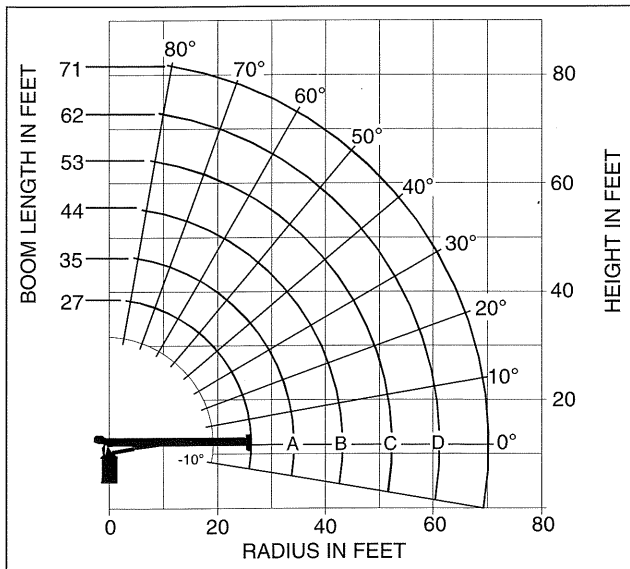
THIS CHART IS ONLY A GUIDE AND SHOULD NOT BE USED TO OPERATE THE CRANE. The individual crane's load chart, operating instructions and other instructional plates must be read and understood prior to operating the crane.

capacities

Load Rating Chart: Series 571E with No Jib

6

Series 500E Load Rating Charts are available for the Model 560E crane. National will send you a chart by FAX or mail on request – or you may secure needed load rating information through your nearest National dealer.



**SERIES 571E
WITH
NO JIB**

LOADLINE EQUIPMENT DEDUCT (lb.)

Downhaul weight 150
One sheave block 200
Two sheave block 355

CAUTION:

- Do not operate crane booms, jib extensions, any accessories or loads within 10 ft (3m) of live power lines or other conductors of electricity.
- Jib and boom capacities shown are maximum for each section.
- Do not exceed capacities at reduced radii
- Load ratings shown on the load rating charts are maximum allowable loads with the outriggers properly extended on a firm, level surface and the crane leveled and mounted on a factory recommended truck.
- Always level the crane with the level indicator located on the crane.
- The operator must reduce load to allow for factors such as wind, ground conditions, operating speeds and their effects on freely suspended loads.
- Overloading this crane may cause structural collapse or instability.
- Weights on any accessories attached to the boom or loadline must be deducted from the load chart capacities.
- Do not exceed jib capabilities at any reduced boom lengths.
- Do not deadhead lineblock against boom tip when extending boom or winching up.
- Keep at least three wraps of loadline on drum at all times.
- Use only specified cable with this machine.

Load Rating Chart: Series 571E with No Jib

LOAD RADIUS (FEET)	LOADED BOOM ANGLE	27 FT BOOM	LOADED BOOM ANGLE	A 35 FT BOOM	LOADED BOOM ANGLE	B 44 FT BOOM	LOADED BOOM ANGLE	C 53 FT BOOM	LOADED BOOM ANGLE	D 62 FT BOOM	LOADED BOOM ANGLE	71 FT BOOM	
5	77.5°	36,000											
8	70.5	24,650	75.5°	20,550									
10	66	19,500	72	17,250	76.5°	16,700	79.5°	16,350					
12	61	16,250	68.5	14,850	73.5	14,350	77	14,000					
14	56	14,250	64.5	13,050	71	12,600	75	12,250	77.5°	12,000			
16	50.5	12,600	61	11,600	68	11,200	72.5	10,850	75.5	10,650	78°	9,600	
20	37.5	9,950	53	9,450	62	9,150	68	8,850	72	8,650	75	8,000	
25	14	6,300	41	7,450	55	7,350	62	7,150	67	6,950	70.5	6,750	
30			26.5	5,650	46	6,060	55.5	5,950	62	5,800	66.5	5,700	
35						35.5	4,900	48.5	5,000	56.5	4,900	61.5	4,800
40						20	3,600	40.5	4,150	50.5	4,200	57	4,100
45								30.5	3,400	43.5	3,550	51.5	3,550
50								14	2,300	36	3,000	46	3,050
55										26	2,400	39.5	2,600
60												32	2,200
65												22.5	1,650
	0	4,100	0	2,650	0	1,750	0	1,200	0	750	0	400	

THIS CHART IS ONLY A GUIDE AND SHOULD NOT BE USED TO OPERATE THE CRANE. The individual crane's load chart, operating instructions and other instructional plates must be read and understood prior to operating the crane.

500E

accessories

7

Radio Remote Controls –

Eliminate the handling and maintenance concerns that accompany cabled remotes. Operate to a range of about 250 feet (76 m), varying with conditions.

• **Model R4R**

One-Person Basket –

Strong but lightweight steel basket with 300-lb (139-kg) capacity, gravity hung with swing lock and full body harness.

• **Model B1-S**

• **Model 2B1-S** (for dual locking baskets)

Heavy-duty Personnel Basket –

1,200-lb. (544-kg) capacity steel basket with safety loops for four passengers. Gravity leveling 72- x 42-inch (183- x 107-cm) platform. Fast attachment and secure locking systems. Load chart must show 2,300 lb. (1043 kg) minimum to operate this accessory.

• **Model BSA-1**

• **Model BSA-R1** (provides rotation)

Hydraulic Oil Cooler –

Automatic, self-contained radiator system with electric fans cools oil under continuous operation.

• **Model OC**

Continuous Rotation –

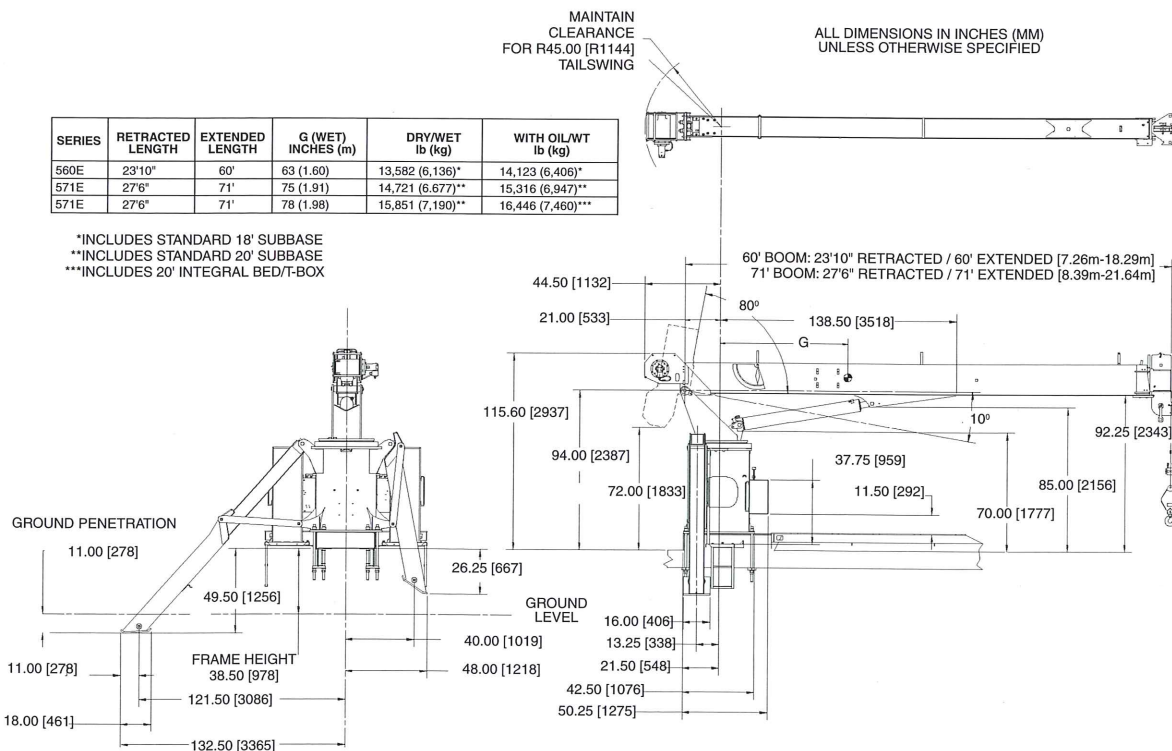
Allows rotation of turret/boom without stop.

• **Model CR**

Dimensions Specifications

SERIES	RETRACTED LENGTH	EXTENDED LENGTH	G (WET) INCHES (m)	DRY/WET lb (kg)	WITH OIL/WT lb (kg)
560E	23'10"	60'	63 (1.60)	13,582 (6,136)*	14,123 (6,406)*
571E	27'6"	71'	75 (1.91)	14,721 (6,677)**	15,316 (6,947)**
571E	27'6"	71'	78 (1.98)	15,851 (7,190)**	16,446 (7,460)***

*INCLUDES STANDARD 18' SUBBASE
 **INCLUDES STANDARD 20' SUBBASE
 ***INCLUDES 20' INTEGRAL BED/T-BOX



500E



NATIONAL CRANE

Manitowoc Crane Group - Americas
 Manitowoc, Wisconsin Facility
 Tel: [Int + 001] 920 684 6621
 Fax: [Int + 001] 920 683 6277
 Shady Grove, Pennsylvania Facility
 Tel: [Int + 001] 717 597 8121
 Fax: [Int + 001] 717 597 4062

Manitowoc Crane Group - EMEA
 Europe Middle East & Africa
 Tel: [Int + 33] (0) 191 565 6281
 Fax: [Int + 33] (0) 4 72 18 20 20

Manitowoc Crane Group - UK
 Europe Middle East & Africa
 Tel: [Int + 44] (0) 191 565 6281
 Fax: [Int + 44] (0) 191 564 0442

Manitowoc Crane Group - Germany
 (Sales, Parts & Service)
 Tel: [Int + 49] (0) 2173 8909 0
 Fax: [Int + 49] (0) 2173 8909-30

Manitowoc Crane Group - France
 France & Africa (Sales, Parts & Service)
 Tel: [Int + 33] (0) 1 303 13150
 Fax: [Int + 33] (0) 1 303 86085

Manitowoc Crane Group - Netherlands
 (Sales, Parts & Service)
 Tel: [Int + 31] (0) 76 578 39 99
 Fax: [Int + 31] (0) 76 578 39 78

Manitowoc Crane Group - Italy
 Italy & Southern Europe (Sales, Parts & Service)
 Tel: [Int + 39] (0) 331 49 33 11
 Fax: [Int + 39] (0) 331 49 33 30

Manitowoc Crane Group - Portugal
 Portugal & Spain (Sales, Parts & Service)
 Tel: [Int + 351] (0) 22 968 08 89
 Fax: [Int + 351] (0) 22 968 08 97

Manitowoc Crane Group - Singapore
 Asia/Pacific excl China (Sales, Parts & Service)
 Tel: [Int + 65] 6861 1733
 Fax: [Int + 65] 6862 4040 / 4142

Manitowoc Crane Group - Shanghai
 China (Sales, Parts & Service)
 Tel: [Int + 86] (0) 21 64955555
 Fax: [Int + 86] (0) 2164852038

Manitowoc Crane Group - Beijing
 China (Sales, Parts & Service)
 Tel: [Int + 86] (0) 10 646 71690
 Fax: [Int + 86] (0) 10 646 71691

Manitowoc Crane Group - Middle East
 Sales
 Tel: [Int + 971] (0) 4 348 4478
 Fax: [Int + 971] (0) 4 348 4478
 (Parts & Service)
 Tel: [Int + 971] (0) 4 348 4478



COAST CRANE COMPANY

SEATTLE
 8250 5th Ave. So.
 Seattle, Wa. 98108
 PHONE: (206) 622-1151
 800-669-2726

ANCHORAGE
 8900 King St.
 Anchorage, Ak. 99515
 PHONE: (907) 349-7610
 AK 800-770-7610

TACOMA
 1114 St. Paul Ave.
 Tacoma, Wa. 98421
 PHONE: (253) 627-7102
 800-669-2726

SPOKANE
 East 3920 Boone Ave.
 Spokane, Wa. 99202
 PHONE: (509) 535-4266
 800-829-4266

PASCO
 525 South Oregon Ave.
 Pasco, Wa. 99301
 PHONE: (509) 545-9138
 800-829-4266

Manitowoc
 Crane CARE



www.manitowoccrane.com

Constant improvement and engineering progress make it necessary that we reserve the right to make specification, equipment, and price changes without notice. Illustrations shown may include optional equipment and accessories, and may not include all standard equipment.