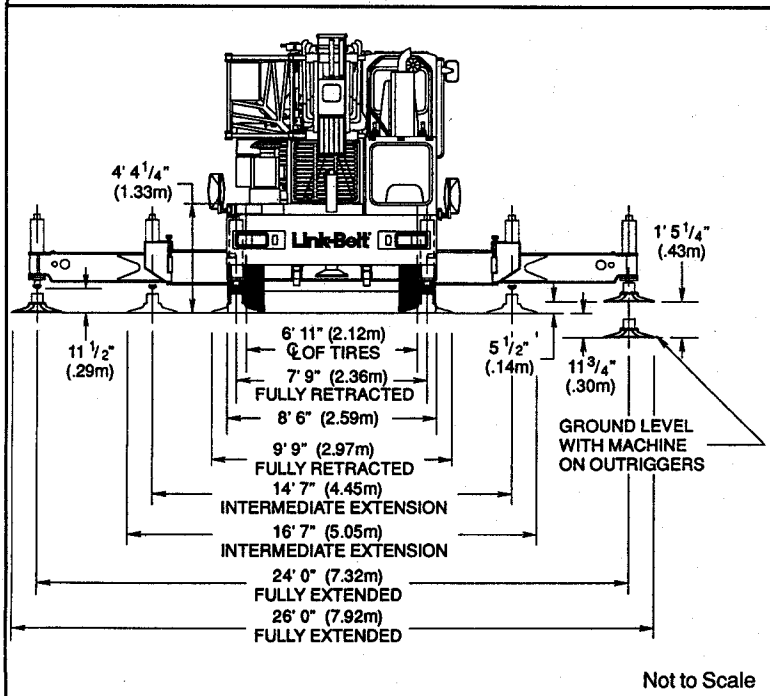
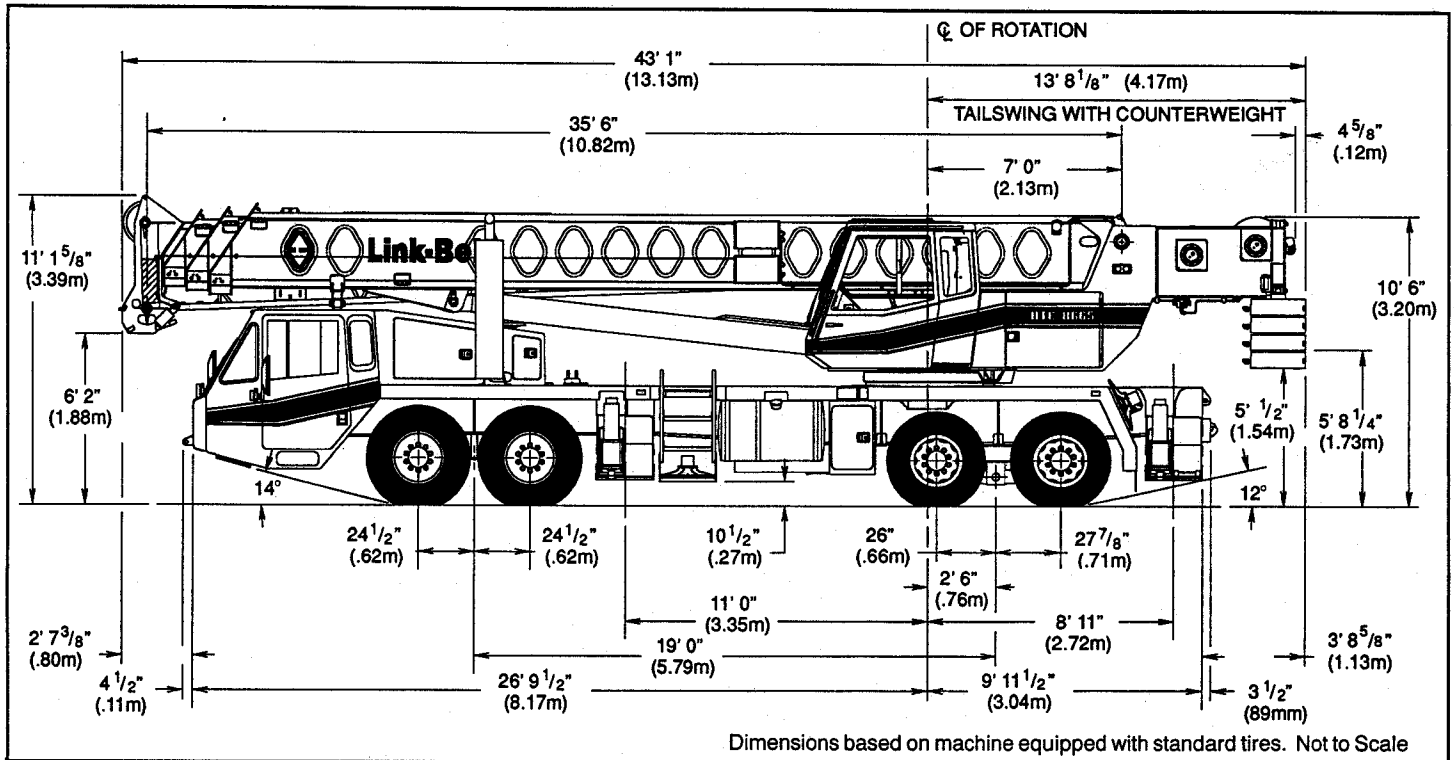


Specifications

Hydraulic Truck Crane

HTC-8665

65-ton (60 metric ton)



General Dimensions	feet	meters
Turning radius (centerline to centerline of tires)	51' 0"	15.54
Turning radius (curb to curb)	51' 9"	15.77
Turning radius (wall to wall)	55' 6"	16.92
Ground clearance	10.56"	.26

GENERAL INFORMATION ONLY

Upperstructure

■ Boom

Patented Design. Boom side plates have diamond shaped impressions for superior strength to weight ratio and 100,000 p.s.i. (689.5 MPa) steel angle chords for lateral stiffness. Boom telescope sections supported by wear shoes both vertically and horizontally to prevent metal to metal contact.

Microguard 414, Rated Capacity Limiter "RCL" — Standard; Audio-visual warning system with anti-two block and function limiters. Operating data available includes boom length, boom angle, head height, radius of load, machine configuration, allowed load, actual load and percent of allowed load. Presettable alarms for maximum and minimum boom angles, max. tip height, max. boom length, swing left/right positions.

Boom — 35' 6" - 110' 0" (10.82 - 33.53 m) four-section full power boom includes base section and three full power sections. Electronic Telescope Control (ETC) System features microprocessor controlled two mode extension. Standard boom section extension is synchronized/sequenced mode offering increased strength capabilities. Second mode is sequenced mode of telescoping offering increased stability capabilities. Boom telescope cylinder lockout switches in cab provide manual override to ETC boom telescope system.

Boom head — Seven 16.5" (0.42 m) root diameter head sheaves handle up to 10 parts of wire rope. Rope dead end lugs provided on each side of boom head. Easily removable wire rope guards are standard; one on top sheaves and one on bottom sheaves.

Auxiliary lifting sheave — *Optional*; Single 16.5" (0.42 m) root dia. sheave w/removable wire rope guard, mounted to boom. For use with one or two parts of line off optional auxiliary winch. Does not affect erection of fly or use of main head sheaves for multiple reeving.

Boom elevation — One Link-Belt designed double-acting hydraulic cylinder with holding valve and bushings in each end. Hand control for controlling boom elevation from -3° to +78°.

■ Fly

Optional — 34' (10.36 m) offsettable stowable one-piece lattice fly. Can be offset 1°, 15°, or 30°.

Optional — 34' - 56' (10.36 - 17.07 m) offsettable stowable 2-piece lattice type. Can be offset 1°, 15°, or 30°.

■ Cab and Controls

Environmental **ULTRA-CAB™** of LFC•2000 construction process featuring laminated fibrous composite material; isolated from sound with acoustical fabric insulation, all tinted/tempered safety glass windows. Sliding rear and right side windows and swing-up roof window for maximum visibility and ventilation. Slide-by-door opens to 36" (0.91 m) width. 6-way adjustable seat for maximum operator comfort. Hydraulic control levers (joystick type) for swing, winches and boomhoist. Outrigger controls located in overhead control console; sight level bubble also provided in upper cab. Foot controls for boom telescope, swing brake, and engine throttle.

Cab instrumentation — Corner post mounted gauges for hydraulic oil temperature, air pressure, fuel, water temperature, voltmeter and oil pressure.

■ Swing

Bidirectional hydraulic swing motor mounted to a planetary reducer for 360° continuous smooth swing at 2 r.p.m.

Swing park brake — 360°, electric over hydraulic (spring applied, hydraulic released) multi-disc brake mounted on the speed reducer. Operated by toggle switch in overhead control console.

Swing brake — 360°, foot operated, hydraulic applied disc brake mounted on the speed reducer.

Travel Swing lock — Standard; two position travel swing lock (pin device) operated from the operator's cab.

Counterweight — Pinned to upperstructure frame. 9,000 lb. (4 082 kg) three piece design standard; 3,000 lbs. (1 361 kg) each piece. 12,000 lb. (5 443 kg) four piece design optional. Hydraulically controlled counterweight removal standard. Counterweight sections may be lowered on and pinned to carrier deck to balance axle loadings for travel.

■ Hydraulic System

Main pump — 2 gear pumps with a total of five sections. Combined pump capacity of 152 gpm (575 lpm). Powered by carrier engine with pump disconnect. Spline-type pump disconnect engaged/disengaged from carrier cab. Maximum system operating pressure is 3,500 psi (24 133 kPa). Hydraulic oil cooler standard.

Pilot Pressure / Counterweight Removal Pump -- Pressure compensated piston pump powered by carrier engine with pump disconnect. Operates at 1,400 psi (9 653 kPa) maximum.

Steering / Fifth Outrigger Pump -- Single gear type pump, 8 gpm (30 lpm) maximum. Powered by carrier engine through front gear housing. Pump operates at 1,600 psi (11 032 kPa).

Reservoir — 195 gallon (738.2 L) capacity. One diffuser for deaeration.

Filtration — One 6-micron filter located inside hydraulic reservoir. Accessible for easy replacement.

Control valves — 6 separate pilot operated control valves allow simultaneous operation of all crane functions.

■ Load Hoist System

Standard — 2M main winch with two-speed motor and automatic brake; power up/down mode of operation. Bidirectional piston-type hydraulic motor, driven through planetary reduction unit for positive control under all load conditions. Asynchronous parallel double crossover grooved drums minimize rope harmonic motion. Winch circuit control provides balanced oil flow to both winches for smooth, simultaneous operation.

Optional — 2M auxiliary winch with two-speed motor, automatic brake, and winch function lockout. Power up/down modes.

Line pulls and speeds — Maximum available line pull 16,800 lbs. (7 620 kg) and maximum line speed of 498 f.p.m. (152 m/min) on 16" (0.41 m) root dia. grooved drum.

■ Additional Equipment - Standard

Fire extinguisher, seat belt, horn, dome light, mirrors, electric windshield wiper/washer, defroster fan, backup alarm, audible swing alarm, cab-mounted work lights, and rotation resistant wire rope.

■ Additional Upperstructure Equipment - Optional

360° swing lock (meets New York City requirements), diesel or hydraulic heater, electronic drum rotation indicators, 65-ton (60t) hook block, 8-1/2-ton (7.71 mt) hook and ball, tachometer, top hatch window wiper, rotating beacon, boom floodlight, and audio/visual warning system that monitors water temp., oil pressure, fuel level, and hydraulic oil temp.

Carrier

■ Type

8' 6" (2.59 m) wide, 228" (5.79 m) wheelbase.

Standard - 8 x 4 drive.

Frame - 100,000 p.s.i. (689.5 MPa) steel, double walled construction with integral 100,000 p.s.i. (689.5 MPa) steel outrigger boxes.

■ Axles

Front - Eaton tandem, 83.4" (2.12 m) track.

Rear - Rockwell tandem, 73.1" (1.86 m) track. 6.83 to 1.0 ratio with interaxle differential lockout.

■ Suspension

Front axle - Reyco spring suspension

Rear axle - Hendrickson solid mount bogie beam type.

■ Wheels

Standard Front - Steel disc.

Standard Rear - Steel disc.

Optional; Aluminum disc wheels, front and rear. Includes 425/65R22.5 XZY (load range "L") front tires, 12R22.5 XZY (load range "H"), rib type rear tires.

■ Tires

Front - 445/65R22.5 XZY (Load range "L") rib type tubeless radials.

Rear - 12R22.5 XZY (Load range "H") rib type tubeless radials.

Optional Front; 425/65R22.5 XZY (load range "L") rib type tubeless radials. Available only on optional aluminum wheels.

■ Brakes

Service - Full air brakes on all wheel ends.

Front - 16.5 x 6 S-Cam brakes.

Rear - 16.5 x 7 Cam Master "Q" brake.

Parking/emergency — One spring set, air released chamber per rear axle end. Parking brake applied with valve mounted on carrier dash. Emergency brakes apply automatically when air drops below 60 psi (413.7 kPa) in both systems.

■ Steering

Sheppard rack and pinion design.

■ Transmission

Eaton RTO - 11609B; 9 speeds forward, 2 reverse.

■ Electrical

Four 12-volt batteries provide 24-volt starting; 1,600 cold cranking amps available. 12-volt operating system, 105 amp alternator.

Lights - Four dual beam sealed headlights, front and rear directional signals, stop and tail lights, rear and side clearance lights, license plate light and hazard warning lights.

■ Outriggers

Three position (fully extended, intermediate and fully retracted) operation capability. Power hydraulic, double box, dual beam outriggers, front and rear. Recessed vertical jack cylinders, each equipped with integral holding valve. Beams extend to a maximum 24' 0" (7.32 m) centerline-to-centerline and retract to within 8' 6" (2.59 m) overall width. Equipped with four stowable, 24" (0.61 m) diameter aluminum floats. Standard fifth outrigger, with 16" (.41 m) dia. self-storing steel pad, is operable from ground or operators cab. Sight level bubble located in upperstructure cab.

Confined Area Lift Capacities (CALC) System - Outriggers may be extended to an intermediate position (14' 7" - 4.45 m spread) for working in confined areas.

Inner and outer beams are connected by an extend position pin which allows the outrigger beams to be fully extended or limits them to partially extended length based on the selected pin position. In addition, capacities are available with the beams in the 7' 9" (2.36 m) fully retracted position.

■ Carrier Cab

One-man cab of LFC•2000 construction process featuring laminated fibrous composite material; acoustical insulation with cloth covering. Equipped with electric windshield wiper and washer, horn, air ride seat with seat belt, dome light, ashtray, defroster, 36,000 BTU capacity heater, door and windows locks,

fire extinguisher, LH/RH rear view mirrors, tilt steering wheel, sliding RH and rear tinted windows, and roll up/down LH tinted window.

Cab Instrumentation - Standard; illuminated instrument panel, speedometer, odometer, tachometer, voltmeter, hourmeter, fuel gauge, oil pressure gauge, water temperature gauge, front and rear air pressure gauges, low air pressure light and warning buzzer, automotive type ignition, turn signal indicator, high beam light switch, and fuses.

■ Additional Equipment - Standard

Full deck aluminum fenders, air dryer, backup warning alarm, tow hooks, steps to upper cab, lower cab and rear carrier, mud flaps, and 120V electric engine block heater.

■ Additional Equipment - Optional

Propane engine block heater, ether injection starting package, towing shackles, carrier mounted outrigger controls, rotating beacon, engine water temperature, oil pressure and fuel level audio visual warning, pintle hook, carrier mounted storage box, electrical and air connections for trailer, aluminum rims, and spare tire and rim assemblies.

Travel Speeds and Gradeability

Engine	Maximum Speed		Maximum Gradeability at peak engine torque
	mph	km/h	
Cummins LTA-10-C	50	80	40%
Cummins L10-300	50	80	49%

Engine Specifications

Engine	Cummins LTA-10-C	Cummins L10-300*
Cylinders - cycle	6/4	6/4
Bore	4.92" (124 mm)	4.92" (124 mm)
Stroke	5.35" (136 mm)	5.35" (136 mm)
Displacement	610 cu. in. (9 998 cm ³)	610 cu. in. (9 998 cm ³)
Maximum brake hp	325 @ 2100 rpm	300 @ 1700 rpm
Peak torque	975 ft. lbs. (1 322 J)	1,150 ft. lbs. (1 559 J)
Electric system	12 volt / 24 volt starting	12 volt / 24 volt starting
Fuel capacity	95 gallons (359.6 L)	95 gallons (359.6 L)
Alternator	105 amps	105 amps
Crankcase capacity	36 qts. (34 L)	41.6 qts. (39 L)

* California approved.

Axle loads

Base machine with standard 35' 6" — 110' 0" (10.82 m - 33.53 m) four-section boom, 2M main winch with 2-speed hoisting and power up/down, 550' (167.6 m) 3/4" (19 mm) wire rope, 8x4, 8' 6" (2.59 m) carrier with Cummins LTA-10-C engine, aluminum fenders, full fuel, but with no counterweight.	G.V.W. ^①		Upper facing front			
	lbs.	kg	Front axle		Rear axle	
			lbs.	kg	lbs.	kg
	74,745	33 904	36,551	16 579	38,194	17 325
Storage box	57	26	16	7	41	19
Propane block heater	40	18	57	26	-17	-8
425/65R22.5 front tires with aluminum disc wheels	-433	-196	-433	-196	0	0
12R22.5 rear tires with aluminum disc wheels	-440	-200	0	0	-440	-200
Operator	200	91	254	115	-54	-24
Tow shackles	40	18	23	10	17	8
Auxiliary winch w/550' (167.6 m) rope	702	318	-224	-102	926	420
Hydraulic heater	170	77	1	.5	169	76.5
Diesel heater	51	23	0	0	51	23
34' (10.36 m) fly	1,466	665	1,197	543	269	122
34' - 56' (10.36 - 17.07 m) two-piece fly	2,122	963	1,465	665	657	298
65-ton (60t) hook block at front bumper	1,390	631	2,268	1 029	-878	-398
Headache ball at front bumper	360	163	587	266	-227	-103
Auxiliary lifting sheave	110	50	188	85	-78	-35
Base machine with no ctwt. and:			Front axle		Rear axle	
add one slab of ctwt. to upper	3,060	1 388	-1,637	-743	4,697	2 131
add two slabs of ctwt. to upper	6,120	2 776	-3,275	-1 486	9,395	4 262
add three slabs of ctwt. to upper	9,180	4 164	-4,912	-2 228	14,092	6 392
add four slabs of ctwt. to upper	12,240	5 552	-6,549	-2 971	18,789	8 523
add one slab of ctwt. to deck	3,060	1 388	2,443	1 108	617	280
add two slabs of ctwt. to deck	6,120	2 776	4,886	2 216	1,234	560
add three slabs of ctwt. to deck	9,180	4 164	7,329	3 324	1,851	840

① Adjust gross vehicle weight & axle loading according to component weight.

Note: All weights are ± 3%

Axle	Max. Load @ 50 mph (80.45 km/hr)
Front	42,000 lbs. (19 051 kg)
Rear	49,500 lbs. (22 453 kg)

GENERAL INFORMATION ONLY

Link-Belt Construction Equipment Company Lexington, Kentucky

A unit of Sumitomo Construction Machinery Co., Ltd.

© Link-Belt is a registered trademark. Copyright 1994. All rights reserved.

We are constantly improving our products and therefore reserve the right to change designs and specifications.