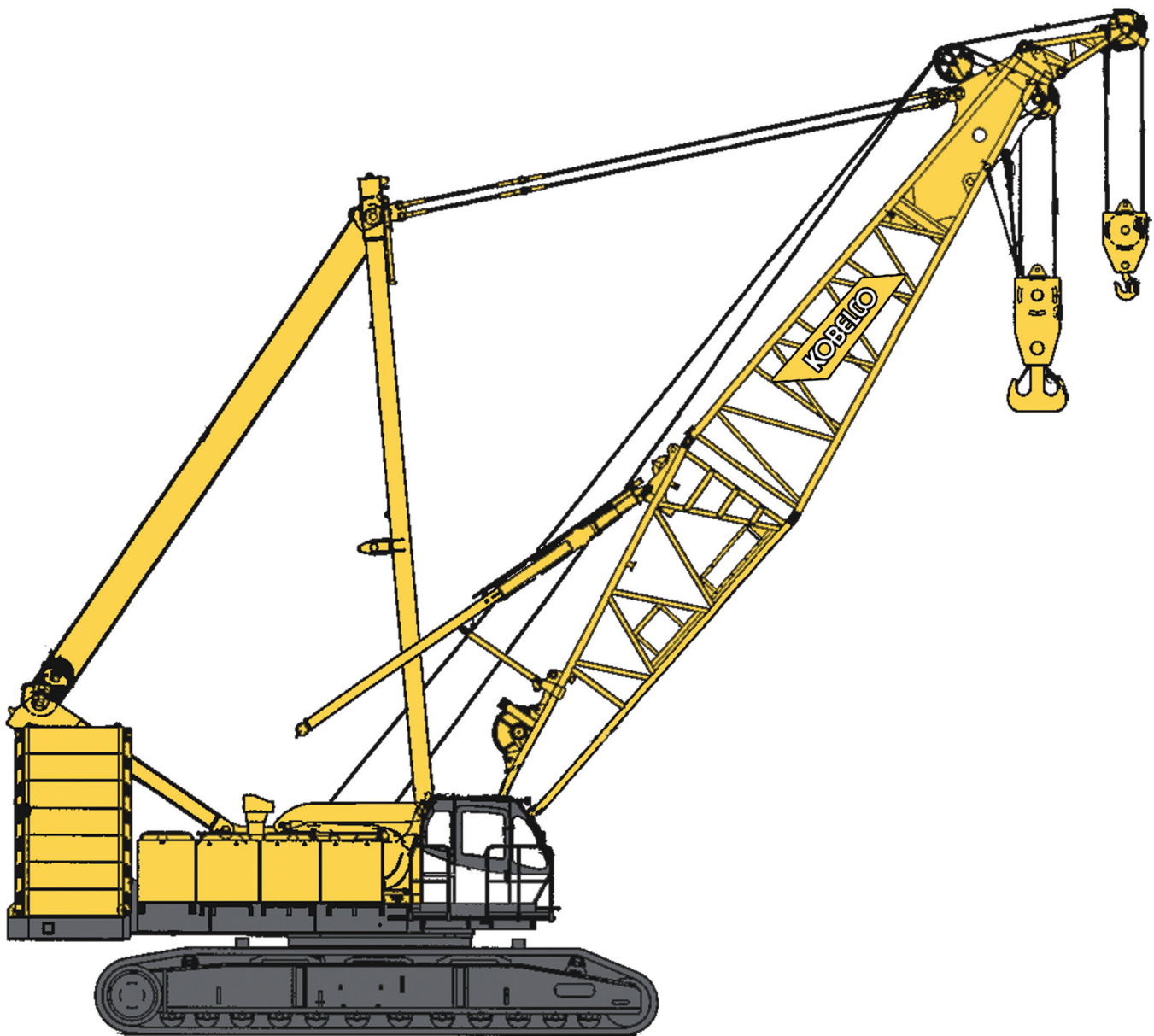


**KOBELCO**

# CK2500-II

## HYDRAULIC CRAWLER CRANE



**Max. Lift Capacity: 500,000 lbs**

**Max. Boom Length: 300 ft**

**Max. Boom + Jib Length: 250 ft + 100 ft**

# SPECIFICATIONS FOR CK2500-II CRAWLER CRANE

The Kobelco CK2500-II Crawler Crane is designed from the ground up for reliable operation, convenient maintenance and easy transport.

Please consult your Kobelco distributor for additional information regarding specifications, operating parameters and maintenance requirements.

## 1. GENERAL DESCRIPTION

<b>Type</b>	Crawler mounted, fully revolving
<b>Maximum lifting capacity</b>	500,000 lbs (226,800 kg) at 15' (4.6 m) operating radius, with 50' (15.2 m) boom
<b>Maximum boom length</b>	300' (91.4 m)
<b>Maximum boom &amp; jib length</b>	250' + 100' (76.2 m + 30.5 m)
<b>Basic boom length</b>	50' (15.2 m)
<b>Working weight</b>	Approx. 476,200 lbs (216,000 kg) (Including Upper and Lower machine, counterweights, carbody weights, 50' boom, 250 ton Hook block)
<b>Ground pressure</b>	
<b>(with basic boom)</b>	Approx. 14.6 psi (101 kPa)
<b>Gradeability (with basic boom)</b>	30%

## 2. GENERAL DIMENSIONS

<b>Height to top of cab</b>	12' 6" (3,810 mm)
<b>Width of upper machine with operator's cab</b>	11' 2" (3,400 mm)
<b>Radius of rear end (counterweight)</b>	19' 8" (6,000 mm)
<b>Counterweight ground clearance</b>	4' 11" (1,490 mm)
<b>Center of rotation to boom foot pin</b>	4' 7" (1,400 mm)
<b>Height from ground to boom foot pin</b>	8' 4" (2,530 mm)
<b>Height over gantry (raised)</b>	18' 2" (5,530 mm)
<b>Overall length of crawler</b>	29' 6" (8,985 mm)
<b>Center to center of tumblers</b>	25' 11" (7,895 mm)
<b>Overall width of crawlers</b>	25' 4" (7,730 mm)
<b>Shoe width</b>	52" (1,330 mm)
<b>Ground clearance of carbody</b>	17" (435 mm)

## 3. WORKING SPEED

Line speeds based on single line, no load and first layer of rope on the drum.

<b>Hoist line speed (front and rear drum)</b>	360 ft/min (110 m/min)
<b>Lowering line speed (front and rear drum)</b>	360 ft/min (110 m/min)
<b>Boom hoist line speed</b>	72 x 2 ft/min (22 x 2 m/min)

<b>Boom lowering line speed</b>	72 x 2 ft/min (22 x 2 m/min)
<b>Swing speed</b>	2.2 rpm (2.2 min <sup>-1</sup> )
<b>Travel speed (High / Low)</b>	0.69 / 0.44 mph (1.1 / 0.7 km/hour)

## 4. UPPER MACHINERY

### 4.1 Power plant

<b>Diesel engine, make and model</b>	Hino P11C-UN (Comply with EPA "Tier 3")
<b>No. of cylinders</b>	6
<b>Bore_stroke</b>	4-13/32" x 5-7/8" (122 mm x 150 mm)
<b>Cycles</b>	4
<b>Total displacement</b>	642 cu.in (10,520 liters)
<b>Rated output SAE GROSS</b>	331 HP / 2,000 rpm (247 kW / 2,000 min <sup>-1</sup> )
<b>Maximum torque</b>	959 lbs-ft / 1,500 rpm (1,300 N-m / 1,500 rpm)
<b>Starter</b>	24 Volts / 6.0 kW
<b>Alternator</b>	24 Volts / 50 Amp
<b>Batteries</b>	Two 12 volt, 170 AH/20 HR capacity series connected.
<b>Radiator</b>	Corrugated type core, thermostatically controlled.
<b>Throttle</b>	Twist grip type hand throttle, electrically actuated.
<b>Air cleaner</b>	Dry type with replaceable paper element.
<b>Fuel tank capacity</b>	106 US gal. (400 liters)
<b>Lube oil filter</b>	Full flow and by-pass type with replaceable element.
<b>Fuel filter</b>	replaceable paper element.

### 4.2 Hydraulic pumps

All driven from heavy duty pump drive.

#### Load hoist and propel

2 Piston pumps, max flow rate 66.5 US gal./min x 2  
(252 ℓ/min x 2)

#### Boom Hoist

1 Piston pump, max flow rate 87.6 US gal./min  
(332 ℓ/min)

## Swing

1 Piston pump, max flow rate 87.6 US gal./min  
(332 ℓ/min)

## Control system and auxiliary

2 Gear pumps, max flow rate  
16.1 US gal./min x 10.6 US gal (61 l/min x 40 ℓ/min)

## Brake cooling system

2 Gear pumps, max flow rate 16.1 US gal./min x 2  
(61 ℓ/min x 2)

### 4.3 Counterweight

**Upper counterweight** 198,400 lbs(90,000 kg)  
**Carbody counterweight** 52,900 lbs (24,000 kg)

### 4.4 Gantry

This high folding type gantry is fitted with a sheave frame for boom hoist reeving. Hydraulic lift is standard. It provides full up, full down positions with linkage.

### 4.5 Operator's Cab

Totally enclosed from weather, this full-vision cab has safety glass all around. The adjustable, high-backed seat with armrest is standard, allowing operators to customize the position. Auxiliary controls and instruments are on a side mounted console. A signal horn, windshield wipers, air conditioner are all standard features.

### 4.6 Controls

At operator's right are console-mounted adjustable short levers for the front and rear drum and the boom hoist control. Beside the operator's seat on the right are two short levers for propel control, individual speed shifts for front drum, rear drum and boom drum. At the operator's left are the console mounted swing lever, knobs for front and rear drum, boom drum pawls, engine start / stop key. A swing brake control switch and signal horn button are on the swing lever.

### 4.7 Electric system

All wiring corded for easy serving with individual, fused branch circuit.

### 4.8 Hydraulic system

**Maximum pressure rating** 4,620 psi (320 kg/cm<sup>2</sup>)  
**Cooling** Oil to air heat exchanger

#### Filtration

Full flow filters with replaceable paper elements and bypass type with replaceable element.

**Reservoir capacity:** 158.4 US gal (600 liters)

### 4.9 Boom hoist

Powered by hydraulic motor through planetary reducer.

**Drum** Double drum.  
Grooved for 1" (26 mm) dia. wire rope.

## Brake

A spring set, hydraulically-released, multiple-disc holding brake is mounted inside the boom hoist motor and is operated through a counter-balance valve. An external ratchet is fitted for locking the drum.

### 4.10 Front drum

Powered by hydraulic motor through planetary reducer.

#### Drum

24-5/16" (617.4 mm) P.C.D. X 32' 13/16"  
(833.7 mm) Lg., Grooved for 1" (25.4 mm)  
dia. wire rope. Rope capacity is 1,575' (480 m)  
working, and 1,969' (509 m) storage length.

## Brake

A spring set, hydraulically-released, multiple-disc holding brake is mounted on the boom hoist motor and is operated through a counter-balance valve. An external ratchet is fitted for locking the drum.

### 4.11 Rear drum

Powered by hydraulic motor through planetary reducer.

#### Drum

24-5/16" (617.4 mm) P.C.D. X 32-13/16"  
(833.7 mm) Lg., Grooved for 1" (25.4 mm)  
dia. wire rope. Rope capacity is 1,265' (385 m)  
working, and 1,969' (509 m) storage length.

## Brake

A spring set, hydraulically-released, multiple-disc holding brake is mounted inside the hoist motor and is operated through a counter-balance valve. An external ratchet is fitted for locking the drum.

### 4.12 Swing

**Swing Function** Hydraulic motor driving through planetary reducer (2 sets) to output swing pinion for 360° rotation.

**Swing Brake** Spring set hydraulically released multiple disk brake mounted on swing motor.

**Swing Circle** Single row ball bearing with internal, integral swing gear.

## 5. LOWER MACHINERY

### 5.1 Carbody

The durable carbody features steel welded construction with axles.

### 5.2 Crawler

Crawler belt tension adjusted with hydraulic jack and maintained by shims between the idler block and frame.

**5.3 Crawler drive**

The independent hydraulic propel drive is built into each crawler side frame. Each drive consists of a hydraulic motor driving a propel sprocket through a planetary gear box. The hydraulic motor and gearbox are built into the crawler side frame within the shoe width.

**5.4 Crawler brakes**

Spring set, hydraulically released, multiple disk-type parking brakes are built into each propel drive.

**5.5 Steering mechanism**

The hydraulic propel system provides both skid steering (driving one track only) and counter-rotating steering (driving each track in opposite direction).

**5.6 Crawler shoes**

68 shoes, 52" (1,330 mm) wide each crawler.

**5.7 Track rollers**

The track rollers are sealed for maintenance-free operation.

**6. CRANE ATTACHMENTS**

**6.1 Standard Crane boom**

Tubular high tensile steel chords all welded, lattice construction, pin connected.

<b>Extendible up to 300' (91.4 m)</b>	
<b>Basic boom length</b>	50' (15.2 m)
<b>Boom base section</b>	25' (7.6 m)
<b>Boom tip section</b>	25' (7.6 m)

**6.2 Boom insert (Optional)**

Boom insert available for extension, tubular high tensile steel chords all welded, lattice construction, pin connected, each one of 10' (3.05 m), 20' (6.10 m), 40' (12.2 m) length.

**6.3 Jib (Optional)**

Tubular high tensile steel chords all welded, lattice construction, pin connected.

<b>Extendible up to 100' (30.5 m)</b>	
<b>Basic jib length</b>	40' (12.2 m)
<b>Jib base section</b>	15' (4.6 m)
<b>Jib tip section</b>	15' (4.6 m)
<b>Jib insert</b>	10' (3.0 m), 20' (6.1 m)

Jib inserts are available to provide extension capabilities. They also have welded lattice construction with tubular, high-tension steel chords and pin connections. Jib is extendible on booms of

90' (27.4 m) through 250' (76.2 m) .

Jib only fits on the standard boom and does not fit on boom exceeding length of 250' (76.2 m).

**6.4 Auxiliary sheave (Optional)**

**6.5 Diameter of wire rope**

<b>Hoist rope</b>	1" (25.4 mm)
<b>Boom hoist rope</b>	1-1/32" (26 mm)
<b>Boom suspension rope</b>	1 5/16" (34.0 mm)
<b>Jib suspension rope</b>	1 5/16" (34.0 mm)

**6.6 Line Pull**

	Rated line pull	*Max. line pull
Front Drum	29,500 lbs (13,380 kg)	55,000 lbs (24,950 kg)
Rear Drum	29,500 lbs (13,380 kg)	55,000 lbs (24,950 kg)

\* Max Line pull is not based on wire rope strength.

**6.7 Wire rope specifications**

Use	Specs	Diameter inch (mm)	Working Length Feet (m)	Breaking Strength Lbs (kg)
<b>Front Drum</b>	IWRC C/O 6 x Fi (25)	1" (25.4)	1,575' (480)	103,500 (46,900)
<b>Rear Drum</b>	IWRC C/O 6 x Fi (25)	1" (25.4)	1,263' (385)	103,500 (46,900)
<b>Boom Hoist Drum</b>	IWRC O/O 6 x WS (31)	1-1/32" (26)	935' (285)	124,500 (56,500)
<b>Luffing Jib Drum</b>	IWRC O/O 6 x WS (31)	7/8" (22)	870' (265)	79,590 (36,100)

**6.8 Boom hoist reeving**

Sixteen (16) parts of 1-1/32" (26 mm) dia. high strength wire rope.

**6.9 Boom backstops**

Required for all boom lengths.

**7. AUXILIARY EQUIPMENT**

**7.1 Lights**

Two (2) front flood lights  
One (1) cab inside light

## **7.2 Gauges and warning display**

### **Gauges**

- One (1) Tachometer
- One (1) Hour meter
- One (1) Fuel gauge
- One (1) Water temperature gauge for engine

### **Warning display**

- Battery charge
- Engine oil pressure
- Air cleaner
- Engine oil filter
- Control main pressure
- Hydraulic oil temperature

## **7.3 Others**

- Air conditioner
- Drum turn indicator (front and rear drum)
- Foot acceleration pedal
- Electric fuel pump
- Counterweight self-removal device

## **8. SAFETY SERVICE**

- Over load protective device (Moment limiter)
- Function lock lever
- Boom over hoist limit switch
- Signal horn
- Front and rear hoist drum lock
- Swing alarm (Buzzer and lamps)
- Hook over hoist shut off (Anti-two-block)
- Boom angle indicator
- Boom hoist drum lock
- Swing lock
- Boom backstops

## **9. TRANS-LIFTER**

The trans-lifter system allows quick and easy removal of the crawler side frames and trailer loading for transport. Four vertical cylinders lift the basic machine for self-loading onto a trailer. Four horizontal axle pin cylinders facilitate the removal and replacement of the side frames.

## **10. TOOLS AND ACCESSORIES**

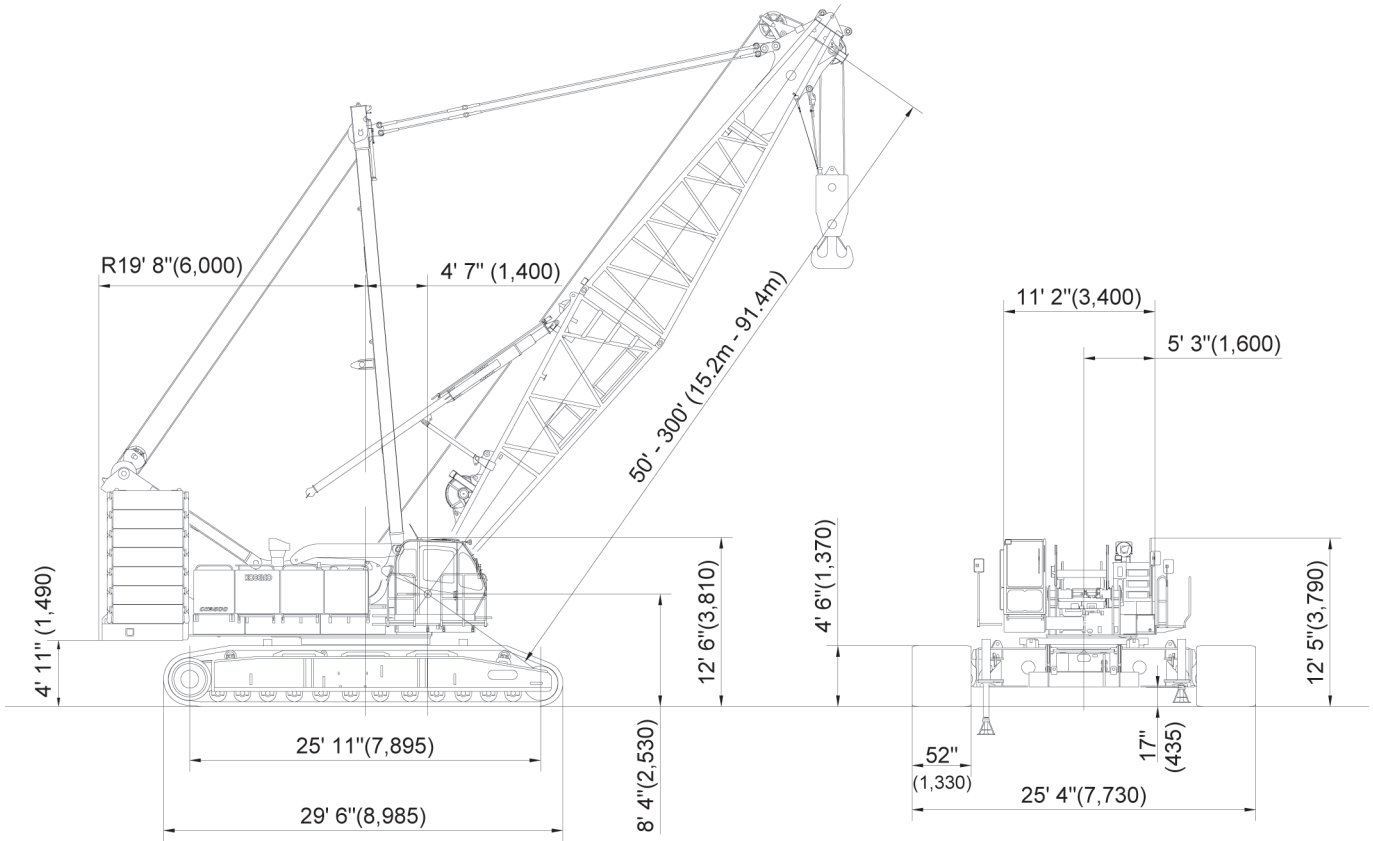
A complete set of standard tools and accessories is furnished.

## **11. MAST**

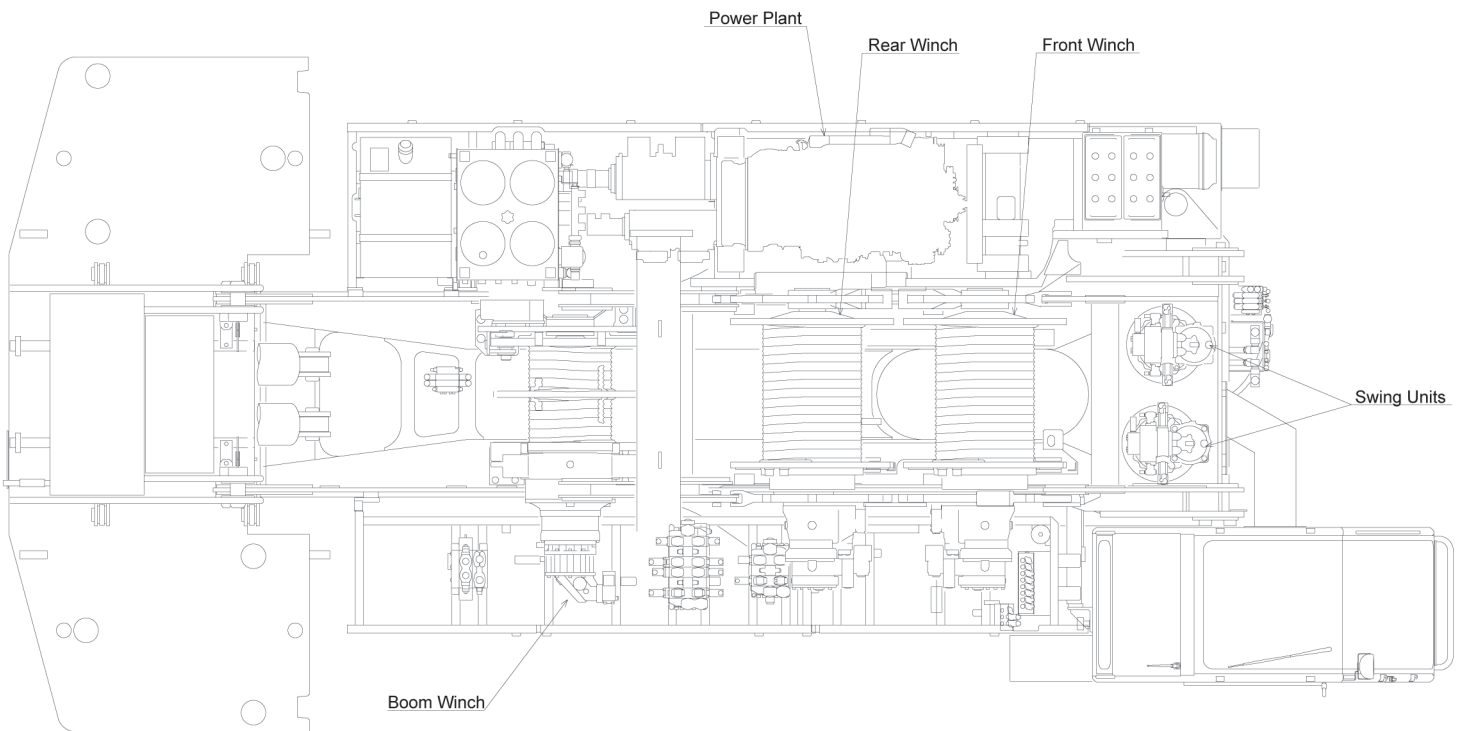
Fitted with a point sheave, the newly designed mast enhances lifting capabilities and also handling of major components during self-erection. Raises and lowers by means of a hydraulic cylinder.

All specifications are subject to change without notice.

# CK2500-II General Dimensions

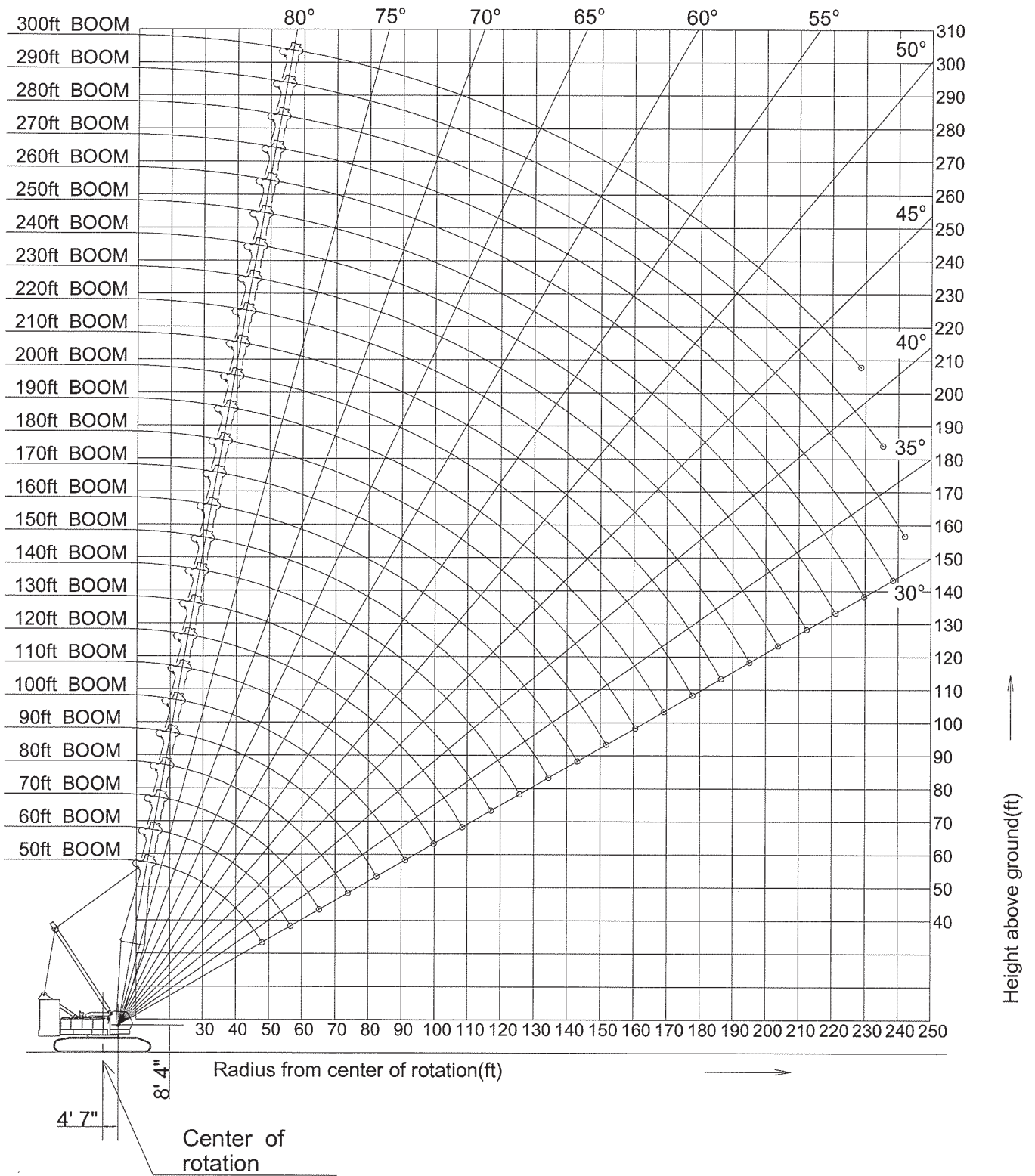


## Upper Machinery Layout





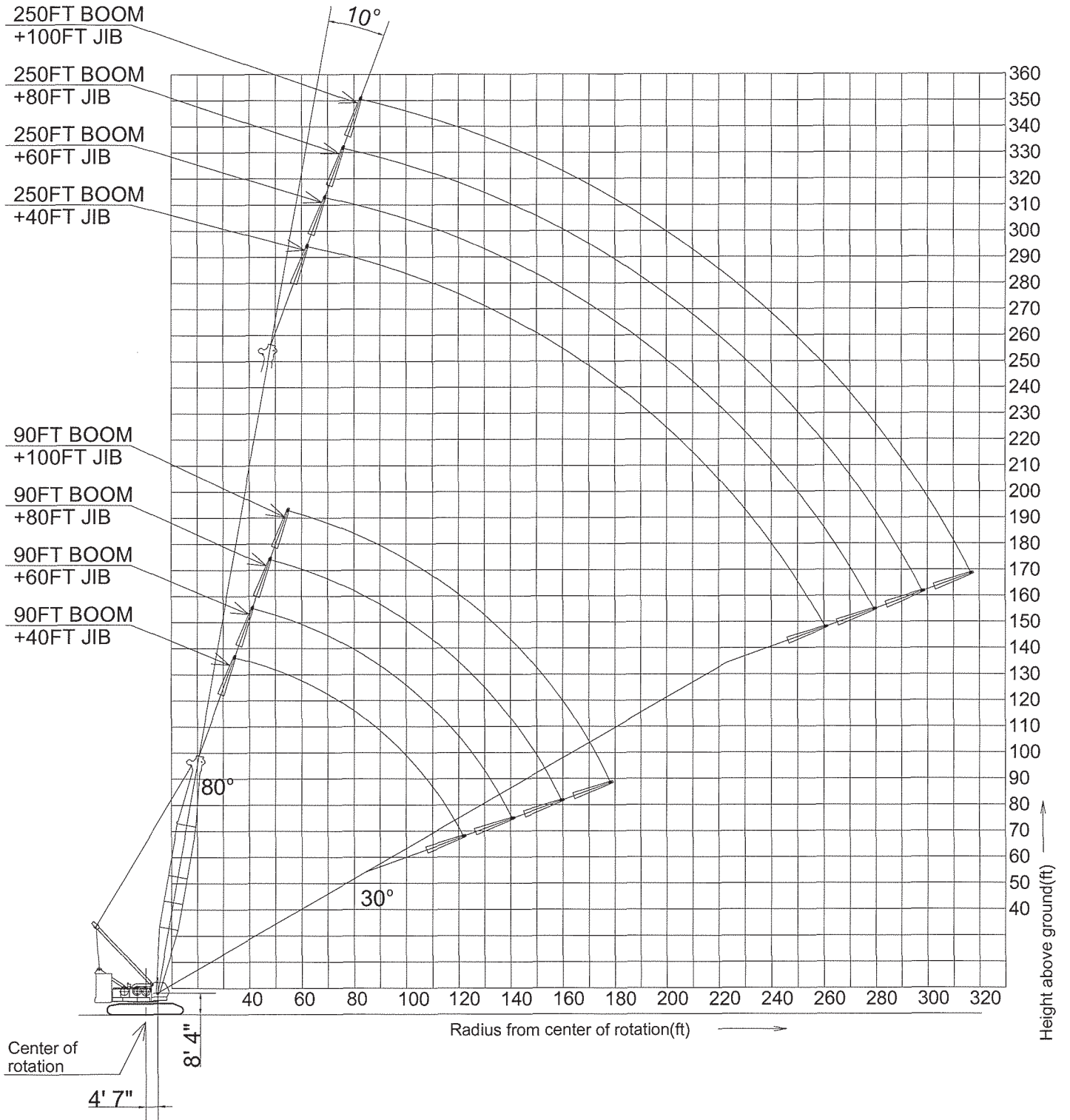
# CK2500-II Main Boom Working Ranges **KOBELCO**



# CK2500-II Jib Working Range

# KOBELCO

Jib Offset 10°

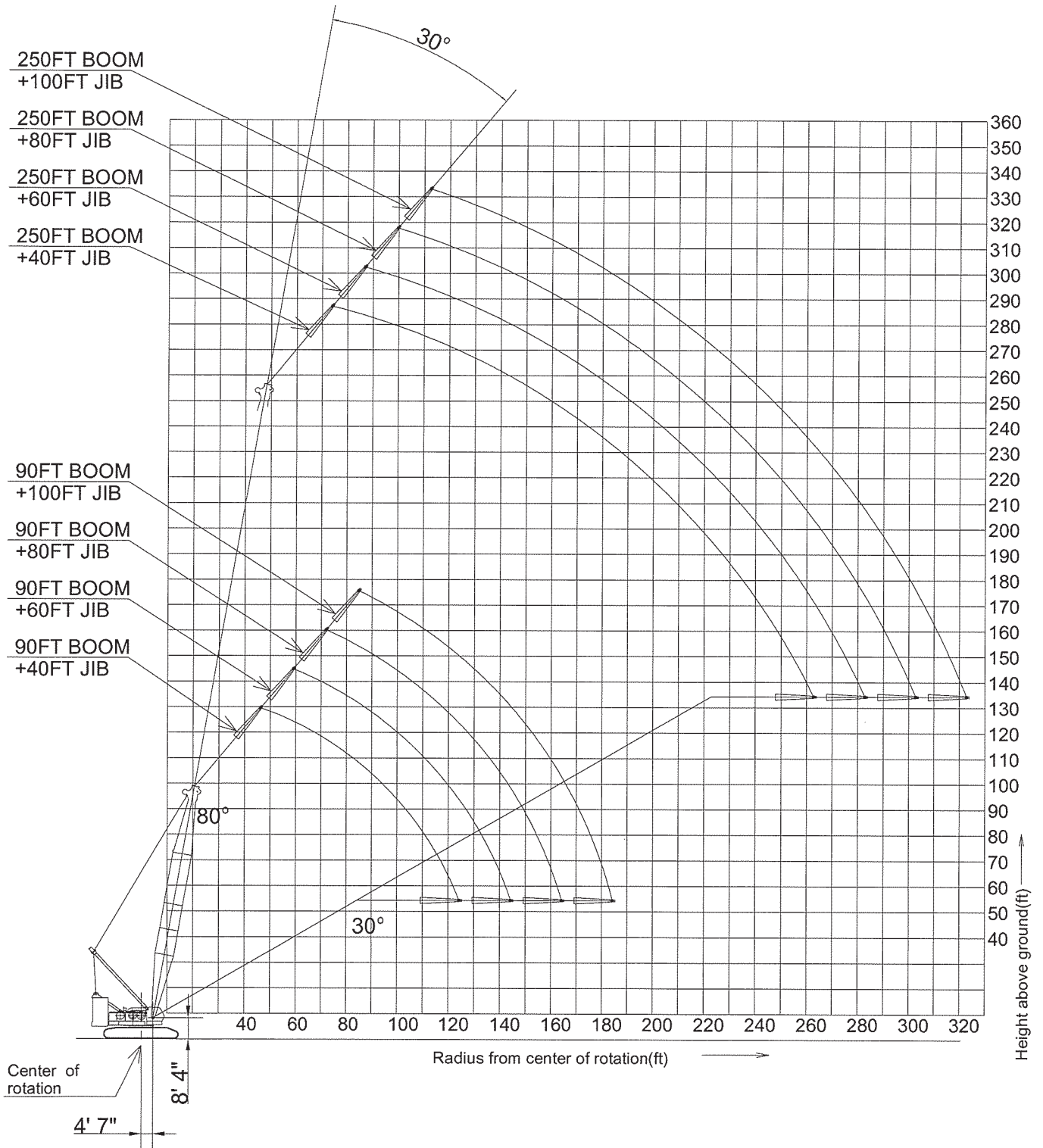




# CK2500-II Jib Working Range



Jib Offset 30°



# CK2500-II Boom and Guy Wire Arrangement

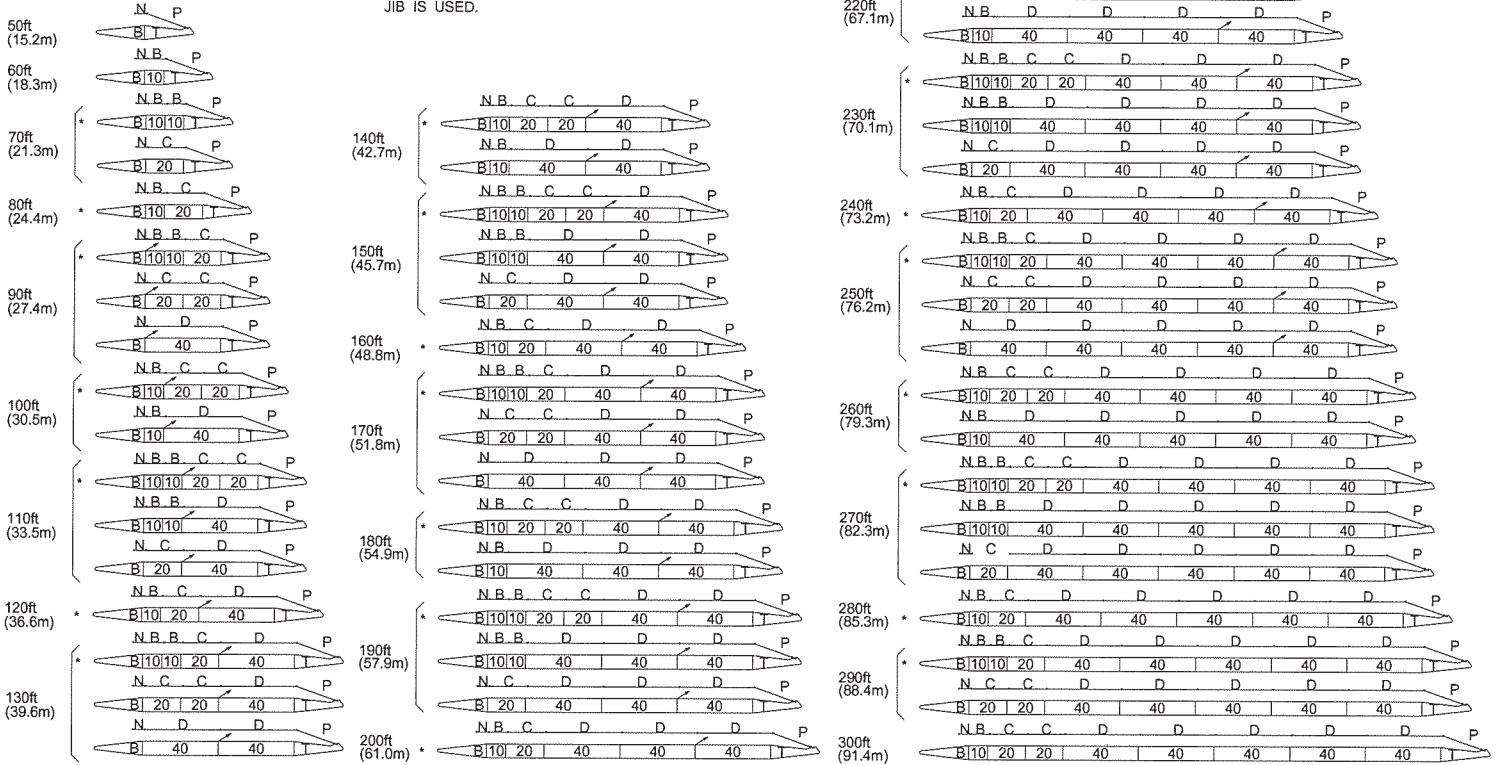


SYMBOL	GUY LINE LENGTH	
	DIA in (mm)	LENGTH ft (m)
B	1-5/16" (34)	10 (3.05)
C	1-5/16" (34)	20 (6.10)
D	1-5/16" (34)	40 (12.2)
N	1-5/16" (34)	6.4 (1.96)
P	1-5/16" (34)	22 (6.70)

ALWAYS CONSULT THIS PAGE FOR THE BOOM AND GUY LINE ARRANGEMENT.

\* MARK SHOWS THE STANDARD BOOM ARRANGEMENT WHICH MAKE THE BOOM ARRANGEMENT OF LESS THAN THE EACH BOOM LENGTH POSSIBLE.

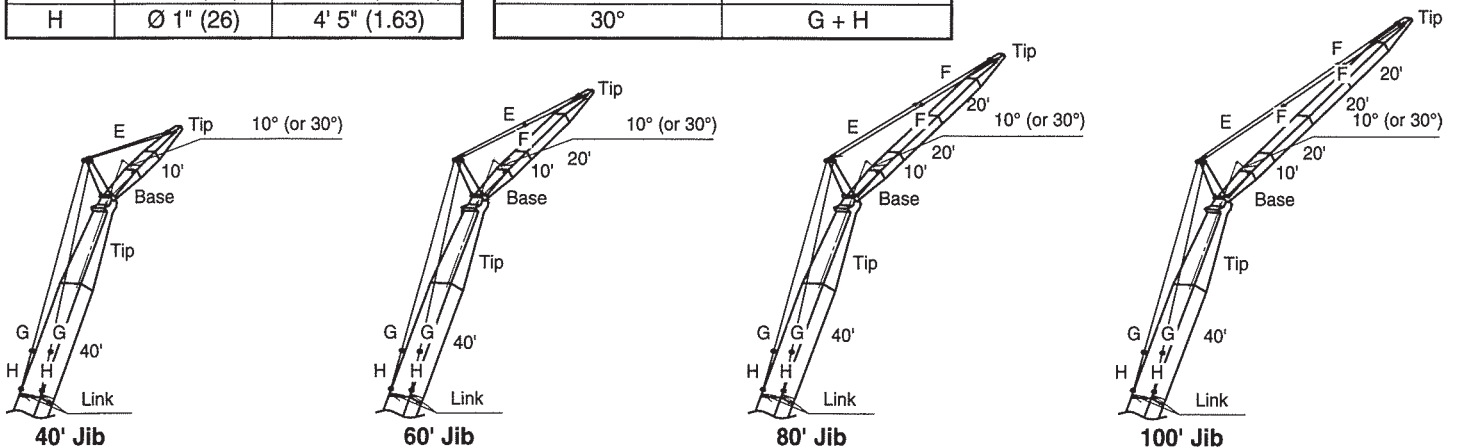
MARK SHOWS THE GUY LINE INSTALLING POSITION WHEN THE JIB IS USED.



## Jib and Guy Wire Arrangement

Symbol	Dia in.(mm)	Length ft-in(m)
E	Ø 1" (26)	87' 2" (26.58)
F	Ø 1" (26)	38' 6" (11.73)
G	Ø 1" (26)	65' 11" (20.08)
H	Ø 1" (26)	4' 5" (1.63)

Arrangement of Guy Line (Boom Side)	
Boom Arrangement	(Tip + 40')
Offset Angle	Arrangement
10°	G
30°	G + H



1. Rated loads included in the charts are the maximum allowable freely suspended loads at a given boom length, boom angle and load radius, and have been determined for the machine standing level on firm supporting surface under ideal operating conditions. The user must limit or de-rate rated loads to allow for adverse conditions (such as soft or uneven ground, out-of-level conditions, wind, side loads, pendulum action, jerking or sudden stopping of loads, inexperience of personnel, multiple machine lifts, and traveling with a load).
2. Rated loads do not exceed 75% of minimum tipping loads. Rated loads based on factors other than machine stability such as structural competence are shown by an asterisk \* in the charts.
3. The machine must be reeved and set-up as stated in the operation manual and all the instruction manuals. If these manuals are missing, obtain replacements.
  - 1) The crane must be leveled to within 1% on a firm supporting surface.
  - 2) Boom backstops are required for all boom lengths.
  - 3) Gantry must be fully raised position for all operations.
  - 4) Crawlers must be fully extended and be locked in position.
4. Do not attempt to lift where no radius on load is listed as crane may tip or collapse.
5. Attempting to lift more than rated loads may cause machine to tip or collapse. Do not tip machine to determine rated loads.
6. Weight of hooks, hook blocks, slings and other lifting devices are a part of the total load. Their total weight must be subtracted from the rated load to obtain the weight that can be lifted.
7. To prevent the boom from leaning toward backward, the own weight of hook block attached to boompoint must be equal to or more than that of shown below.

Boom Length (ft)	50	60	70	80
Own weight of hook block (lbs)	6,000	3,800	2,500	1,900

8. When lifting over boom point with jib or auxiliary sheave, rated loads for the boom must be deducted as shown below.

Jib Length	Aux Sheave	30 ft	40 ft	50 ft	60 ft
Deduct (lbs)	700	7,055	8,010	8,965	9,920

9. The total load that can be lifted by the jib is limited by rated jib loads.
10. 40 ft (12.2 m) jib length with offset angle 10 degrees, one part of line on hook is not allowed.
11. Boom lengths for jib mounting are 90 ft (27.4 m) to 250 ft (76.2 m).
12. The total load that can be lifted over an auxiliary sheave is the value for 700 lbs deducted from rated load for the boom without auxiliary sheave, but it should not exceed 59,000 lbs.
13. Boom lengths that can attach auxiliary sheave are from 50 ft (15.2 m) to 290 ft (88.4 m).
14. The boom should be erected over the front of the crawlers, not laterally. When erecting and lowering the boom at length of 290 ft (88.4 m) or over, the blocks for erection must be placed at the end of the crawlers.
15. Least stable position is over the side.
16. Maximum hoist load for number of reeving parts of line for hoist rope.

#### Main Hoist Loads

No. of Parts of line	1	2	3	4	5
Maximum Loads (lbs)	29,500	59,000	88,500	118,000	147,500

No. of Parts of line	6	7	8	9	10
Maximum Loads (lbs)	177,000	206,500	236,000	265,500	295,000

No. of Parts of line	12	14	16	18
Maximum Loads (lbs)	354,000	413,000	472,000	500,000

No. of Parts of line	1	2
Maximum Loads (lbs)	29,500	59,000

No. of Parts of line	1	2
Maximum Loads (lbs)	29,500	59,000

17. Lifting capacities listed apply only to the machine as originally manufactured and designed by KOBELCO CRANES CO.,LTD. Modifications to this machine or use of equipment other than that specified can reduce operating capacity.
18. Designed and rated to comply ANSI code B30.5.

*Operation of this equipment in excess of rated loads or disregard of instruction void the warranty.*

# CK2500-II Main Boom Rated Loads in Pounds

Refer to notes page 10

15 Counterweights + 2 Low Weights

50' Boom			60' Boom			70' Boom			80' Boom		
Load Radius (ft)	Boom Angle (deg.)	360° Rated Load (lbs)	Load Radius (ft)	Boom Angle (deg.)	360° Rated Load (lbs)	Load Radius (ft)	Boom Angle (deg.)	360° Rated Load (lbs)	Load Radius (ft)	Boom Angle (deg.)	360° Rated Load (lbs)
15	79.6	500,000 *	17	79.4	485,700 *	19	79.3	434,100 *	20	79.9	403,400 *
16	78.4	500,000 *	18	78.4	462,000 *	20	78.4	415,800 *	22	78.4	376,700 *
17	77.3	492,800 *	19	77.5	438,300 *	22	76.8	381,000 *	24	77.0	350,000 *
18	76.1	466,500 *	20	76.5	416,600 *	24	75.1	350,500 *	26	75.5	323,400 *
19	74.9	440,100 *	22	74.5	381,800 *	26	73.4	323,800 *	28	74.0	301,700 *
20	73.7	416,700 *	24	72.5	351,200 *	28	71.6	302,100 *	30	72.5	281,600 *
22	71.3	382,400 *	26	70.5	324,600 *	30	69.9	282,000 *	32	71.0	264,500 *
24	68.8	352,000 *	28	68.4	302,900 *	32	68.1	264,900 *	34	69.4	247,000 *
26	66.3	325,300 *	30	66.3	282,700 *	34	66.3	247,300 *	36	67.9	229,000 *
28	63.7	303,600 *	32	64.2	265,700 *	36	64.5	229,200 *	38	66.3	211,100 *
30	61.1	283,500 *	34	62.0	247,900 *	38	62.7	211,200 *	40	64.7	195,000
32	58.4	266,400 *	36	59.8	229,600 *	40	60.8	195,000	45	60.7	165,100
34	55.6	248,400 *	38	57.5	211,300 *	45	55.9	165,100	50	56.4	142,900
36	52.7	229,800 *	40	55.2	195,000	50	50.7	142,900	55	52.0	125,200
38	49.7	211,100 *	45	49.0	165,100	55	45.1	125,200	60	47.2	110,900
40	46.6	194,600	50	42.2	142,900	60	38.9	110,900	65	42.0	99,700
45	37.7	164,700	55	34.2	125,100	65	31.5	99,700	70	36.2	90,500
90' Boom			100' Boom			110' Boom			120' Boom		
Load Radius (ft)	Boom Angle (deg.)	360° Rated Load (lbs)	Load Radius (ft)	Boom Angle (deg.)	360° Rated Load (lbs)	Load Radius (ft)	Boom Angle (deg.)	360° Rated Load (lbs)	Load Radius (ft)	Boom Angle (deg.)	360° Rated Load (lbs)
22	79.7	378,900 *	24	79.6	334,800 *	26	79.5	313,000 *	28	79.4	277,300 *
24	78.4	349,200 *	26	78.4	320,600 *	28	78.5	295,000 *	30	78.5	268,700 *
26	77.1	322,600 *	28	77.3	298,000 *	30	77.4	276,100 *	32	77.5	250,800 *
28	75.8	300,900 *	30	76.1	276,100 *	32	76.3	257,300 *	34	76.5	235,300 *
30	74.5	280,200 *	32	74.9	260,000 *	34	75.2	240,400 *	36	75.5	221,500 *
32	73.2	260,700 *	34	73.7	243,500 *	36	74.1	224,700 *	38	74.5	207,600 *
34	71.8	243,000 *	36	72.5	226,800 *	38	73.1	209,100 *	40	73.5	194,400
36	70.5	226,500 *	38	71.3	210,000 *	40	72.0	194,600	45	71.0	164,300
38	69.1	210,100 *	40	70.1	194,800	45	69.2	164,500	50	68.4	142,000
40	67.7	195,000	45	67.0	164,700	50	66.4	142,100	55	65.8	124,200
45	64.2	164,900	50	63.8	142,300	55	63.5	124,300	60	63.2	109,800
50	60.6	142,500	55	60.5	124,600	60	60.5	110,000	65	60.5	98,400
55	56.8	124,700	60	57.2	110,400	65	57.4	98,600	70	57.7	89,100
60	52.9	110,500	65	53.7	99,000	70	54.3	89,200	75	54.8	81,200
65	48.7	99,200	70	50.0	89,800	75	50.9	81,300	80	51.8	74,300
70	44.3	90,000	75	46.1	81,900	80	47.5	74,500	85	48.6	68,200
75	39.4	82,100	80	41.9	75,000	85	43.8	68,400	90	45.3	63,300
80	34.0	75,200	85	37.3	69,300	90	39.8	63,500	95	41.8	58,800
			90	32.2	64,200	95	35.5	59,000	100	38.0	54,900
						100	30.6	55,100	105	33.9	51,500

# CK2500-II Main Boom Rated Loads in Pounds

Refer to notes page 10

15 Counterweights + 2 Low Weights

130' Boom			140' Boom			150' Boom			160' Boom		
Load Radius (ft)	Boom Angle (deg.)	360° Rated Load (lbs)	Load Radius (ft)	Boom Angle (deg.)	360° Rated Load (lbs)	Load Radius (ft)	Boom Angle (deg.)	360° Rated Load (lbs)	Load Radius (ft)	Boom Angle (deg.)	360° Rated Load (lbs)
30	79.4	250,700 *	32	79.3	231,100 *	34	79.2	208,500 *	34	79.9	203,100 *
32	78.5	240,700 *	34	78.5	221,600 *	36	78.5	199,700 *	36	79.2	194,800 *
34	77.5	228,800 *	36	77.6	209,600 *	38	77.7	190,800 *	38	78.5	186,400 *
36	76.6	215,700 *	38	76.8	197,600 *	40	76.9	182,000 *	40	77.7	178,000 *
38	75.7	202,500 *	40	75.9	186,400 *	45	74.9	160,200 *	45	75.9	156,900 *
40	74.8	190,100 *	45	73.8	163,000 *	50	72.9	140,500 *	50	74.0	139,200 *
45	72.5	163,600 *	50	71.7	141,700	55	70.9	123,300	55	72.1	123,100
50	70.2	141,900	55	69.5	123,800	60	68.9	108,900	60	70.2	108,700
55	67.8	124,000	60	67.3	109,600	65	66.8	97,500	65	68.3	97,300
60	65.4	109,600	65	65.0	98,100	70	64.7	88,300	70	66.4	88,000
65	62.9	98,100	70	62.7	88,800	75	62.5	80,300	75	64.4	80,000
70	60.4	88,900	75	60.4	80,800	80	60.4	73,400	80	62.4	73,000
75	57.8	81,000	80	58.0	73,900	85	58.1	67,300	85	60.3	67,100
80	55.2	74,000	85	55.5	68,000	90	55.8	62,200	90	58.2	62,000
85	52.4	68,000	90	53.0	62,900	95	53.5	57,700	95	56.1	57,500
90	49.6	63,100	95	50.4	58,400	100	51.0	53,700	100	53.9	53,500
95	46.6	58,500	100	47.6	54,300	105	48.5	50,000	105	51.6	49,800
100	43.4	54,400	105	44.8	50,600	110	45.9	46,800	110	49.3	46,600
105	40.1	50,900	110	41.7	47,500	115	43.1	44,000	115	46.9	43,700
110	36.4	47,700	115	38.5	44,600	120	40.2	41,300	120	44.3	41,100
115	32.5	44,900	120	35.1	42,000	125	37.2	38,800	125	41.7	38,600
			125	31.3	39,500	130	33.8	36,600	130	38.9	36,400
						135	30.2	34,600	135	35.9	34,500
									140	32.7	32,700

170' Boom			180' Boom			190' Boom			200' Boom		
Load Radius (ft)	Boom Angle (deg.)	360° Rated Load (lbs)	Load Radius (ft)	Boom Angle (deg.)	360° Rated Load (lbs)	Load Radius (ft)	Boom Angle (deg.)	360° Rated Load (lbs)	Load Radius (ft)	Boom Angle (deg.)	360° Rated Load (lbs)
36	79.8	184,900 *	38	79.8	177,100 *	40	79.7	164,200 *	45	78.7	141,600 *
38	79.1	179,200 *	40	79.1	169,500 *	45	78.1	146,900 *	50	77.3	128,600 *
40	78.5	172,800 *	45	77.5	150,200 *	50	76.6	131,700 *	55	75.8	116,300 *
45	76.7	153,400 *	50	75.8	134,300 *	55	75.0	118,500 *	60	74.3	105,300
50	75.0	137,200 *	55	74.2	120,400	60	73.5	107,000	65	72.8	95,700
55	73.2	122,300	60	72.5	108,000	65	71.9	96,100	70	71.3	86,600
60	71.5	108,500	65	70.8	96,600	70	70.3	86,900	75	69.8	78,500
65	69.7	97,000	70	69.1	87,200	75	68.7	78,900	80	68.3	71,600
70	67.9	87,700	75	67.4	79,200	80	67.0	71,800	85	66.7	65,600
75	66.0	79,600	80	65.7	72,300	85	65.4	65,800	90	65.1	60,500
80	64.1	72,700	85	63.9	66,200	90	63.7	60,800	95	63.5	56,000
85	62.3	66,700	90	62.1	61,100	95	62.0	56,300	100	61.9	51,900
90	60.3	61,600	95	60.3	56,600	100	60.3	52,100	105	60.3	48,200
95	58.4	57,100	100	58.4	52,600	105	58.5	48,400	110	58.6	45,000
100	56.3	53,000	105	56.5	48,900	110	56.7	45,300	115	56.9	42,100
105	54.3	49,300	110	54.6	45,700	115	54.9	42,400	120	55.2	39,400
110	52.2	46,100	115	52.6	42,700	120	53.0	39,800	125	53.4	37,100
115	50.0	43,300	120	50.6	40,100	125	51.1	37,300	130	51.6	34,700
120	47.7	40,700	125	48.5	37,700	130	49.1	35,100	135	49.7	32,700
125	45.4	38,200	130	46.3	35,500	135	47.1	33,000	140	47.8	30,900
130	42.9	36,000	135	44.0	33,500	140	45.0	31,200	145	45.8	29,100
135	40.4	33,900	140	41.7	31,600	145	42.8	29,500	150	43.8	27,600
140	37.7	32,100	145	39.2	29,900	150	40.5	27,800	155	41.6	26,100
145	34.8	30,400	150	36.6	28,300	155	38.1	26,300	160	39.4	24,600
150	31.7	28,900	155	33.8	26,900	160	35.5	24,900	165	37.1	23,300
			160	30.7	25,400	165	32.8	23,700	170	34.6	22,100
									175	32.0	21,000



# CK2500-II Main Boom Rated Loads in Pounds

Refer to notes page 10

15 Counterweights + 2 Low Weights

210' Boom			220' Boom			230' Boom			240' Boom		
Load Radius (ft)	Boom Angle (deg.)	360° Rated Load (lbs)	Load Radius (ft)	Boom Angle (deg.)	360° Rated Load (lbs)	Load Radius (ft)	Boom Angle (deg.)	360° Rated Load (lbs)	Load Radius (ft)	Boom Angle (deg.)	360° Rated Load (lbs)
45	79.3	140,500 *	45	79.8	138,300 *	50	79.0	119,700 *	50	79.4	116,400 *
50	77.9	126,300 *	50	78.5	124,100 *	55	77.7	108,200 *	55	78.2	107,300 *
55	76.5	113,800 *	55	77.1	111,900 *	60	76.4	99,000	60	77.0	97,400 *
60	75.1	103,100	60	75.8	101,400	65	75.1	90,500	65	75.8	88,900
65	73.7	94,100	65	74.4	92,600	70	73.8	83,400	70	74.5	81,700
70	72.2	85,800	70	73.1	85,100	75	72.5	76,700	75	73.3	75,300
75	70.8	78,000	75	71.7	77,900	80	71.2	70,300	80	72.0	69,500
80	69.3	71,000	80	70.3	71,000	85	69.9	64,200	85	70.8	64,000
85	67.9	65,100	85	68.9	64,900	90	68.6	59,100	90	69.5	58,900
90	66.4	60,000	90	67.5	59,800	95	67.2	54,600	95	68.2	54,300
95	64.9	55,400	95	66.1	55,200	100	65.8	50,600	100	66.9	50,200
100	63.4	51,300	100	64.7	51,000	105	64.5	46,900	105	65.6	46,500
105	61.8	47,600	105	63.2	47,300	110	63.1	43,700	110	64.3	43,300
110	60.3	44,400	110	61.7	44,100	115	61.7	40,700	115	62.9	40,300
115	58.7	41,500	115	60.2	41,200	120	60.2	38,000	120	61.6	37,600
120	57.1	38,900	120	58.7	38,500	125	58.8	35,500	125	60.2	35,100
125	55.4	36,400	125	57.2	36,200	130	57.3	33,300	130	58.8	32,900
130	53.7	34,200	130	55.6	34,000	135	55.8	31,300	135	57.4	30,800
135	52.0	32,200	135	54.0	31,900	140	54.3	29,300	140	56.0	29,000
140	50.2	30,200	140	52.4	30,000	145	52.7	27,500	145	54.5	27,300
145	48.4	28,400	145	50.7	28,200	150	51.1	26,000	150	53.0	25,600
150	46.6	26,900	150	49.0	26,700	155	49.5	24,500	155	51.5	24,200
155	44.6	25,400	155	47.2	25,200	160	47.8	23,100	160	50.0	22,900
160	42.7	24,000	160	45.4	23,700	165	46.1	21,800	165	48.4	21,500
165	40.6	22,700	165	43.6	22,400	170	44.4	20,600	170	46.8	20,200
170	38.4	21,500	170	41.6	21,300	175	42.5	19,400	175	45.1	19,000
175	36.2	20,400	175	39.6	20,100	180	40.7	18,200	180	43.4	17,800
180	33.7	19,300	180	37.5	19,000	185	38.7	17,100	185	41.6	16,700
185	31.2	18,200	185	35.3	18,000	190	36.6	16,100	190	39.8	15,700
			190	32.9	17,000	195	34.5	15,100	195	37.8	14,700
			195	30.4	16,000	200	32.2	14,200	200	35.8	13,800
									205	33.7	12,900
									210	31.5	12,100

# CK2500-II Main Boom Rated Loads in Pounds

Refer to notes page 10

15 Counterweights + 2 Low Weights

250' Boom			260' Boom			270' Boom			280' Boom		
Load Radius (ft)	Boom Angle (deg.)	360° Rated Load (lbs)	Load Radius (ft)	Boom Angle (deg.)	360° Rated Load (lbs)	Load Radius (ft)	Boom Angle (deg.)	360° Rated Load (lbs)	Load Radius (ft)	Boom Angle (deg.)	360° Rated Load (lbs)
50	79.9	108,000 *	55	79.1	97,000 *	55	79.5	89,200 *	55	79.9	82,200 *
55	78.7	103,100 *	60	78.0	93,700 *	60	78.5	86,800 *	60	78.9	80,300 *
60	77.5	95,700 *	65	76.9	85,600 *	65	77.4	83,200 *	65	77.8	78,200 *
65	76.3	87,400 *	70	75.7	78,700 *	70	76.3	76,900 *	70	76.8	74,400 *
70	75.2	80,300 *	75	74.6	72,500 *	75	75.2	70,800 *	75	75.7	69,400 *
75	74.0	74,000 *	80	73.5	66,900 *	80	74.1	65,300 *	80	74.7	64,000 *
80	72.8	68,400 *	85	72.3	61,900 *	85	73.0	60,400 *	85	73.6	59,200 *
85	71.6	63,300 *	90	71.1	57,600 *	90	71.9	56,100 *	90	72.5	55,000 *
90	70.3	58,600 *	95	70.0	53,400 *	95	70.7	52,200 *	95	71.5	51,200 *
95	69.1	54,100 *	100	68.8	49,500 *	100	69.6	48,600 *	100	70.4	47,600 *
100	67.9	49,900 *	105	67.6	45,800 *	105	68.5	45,100 *	105	69.3	44,400 *
105	66.6	46,200 *	110	66.4	42,600 *	110	67.3	41,900 *	110	68.2	41,400 *
110	65.4	43,000 *	115	65.2	39,600 *	115	66.2	39,000 *	115	67.1	38,700 *
115	64.1	40,100 *	120	64.0	36,900 *	120	65.0	36,300 *	120	65.9	36,000 *
120	62.8	37,400 *	125	62.7	34,400 *	125	63.8	33,800 *	125	64.8	33,500 *
125	61.5	34,900 *	130	61.5	32,200 *	130	62.6	31,600 *	130	63.7	31,200 *
130	60.2	32,700 *	135	60.2	30,200 *	135	61.4	29,500 *	135	62.5	29,200 *
135	58.9	30,600 *	140	58.9	28,200 *	140	60.2	27,600 *	140	61.4	27,400 *
140	57.5	28,700 *	145	57.6	26,400 *	145	59.0	25,800 *	145	60.2	25,500 *
145	56.2	26,900 *	150	56.3	24,900 *	150	57.7	24,300 *	150	59.0	23,800 *
150	54.8	25,400 *	155	55.0	23,400 *	155	56.4	22,700 *	155	57.8	22,300 *
155	53.3	23,800 *	160	53.6	22,000 *	160	55.2	21,200 *	160	56.6	20,800 *
160	51.9	22,400 *	165	52.2	20,600 *	165	53.9	19,800 *	165	55.3	19,300 *
165	50.4	21,100 *	170	50.8	19,300 *	170	52.5	18,400 *	170	54.1	18,000 *
170	48.9	19,700 *	175	49.4	17,900 *	175	51.2	17,200 *	175	52.8	16,800 *
175	47.4	18,500 *	180	47.9	16,700 *	180	49.8	16,000 *	180	51.5	15,600 *
180	45.8	17,400 *	185	46.4	15,600 *	185	48.4	14,900 *	185	50.2	14,500 *
185	44.1	16,200 *	190	44.8	14,600 *	190	46.9	13,900 *	190	48.8	13,500 *
190	42.5	15,200 *	195	43.2	13,600 *	195	45.5	12,900 *	195	47.4	12,400 *
195	40.7	14,200 *	200	41.6	12,600 *	200	43.9	11,900 *	200	46.0	11,400 *
200	38.9	13,300 *	205	39.9	11,800 *	205	42.4	10,900 *	205	44.6	10,500 *
205	37.0	12,500 *	210	38.1	11,000 *	210	40.8	10,100 *	210	43.1	9,600 *
210	35.1	11,600 *	215	36.3	10,100 *	215	39.1	9,400 *	215	41.6	9,000 *
215	33.0	10,800 *	220	34.4	9,400 *	220	37.4	8,600 *	220	40.0	8,200 *
220	30.8	10,100 *	225	32.4	8,700 *	225	35.6	7,900 *	225	38.4	7,400 *
			230	30.2	8,000 *	230	33.7	7,200 *	230	36.7	6,700 *
						235	31.7	6,500 *	235	34.9	6,100 *
									240	33.1	5,500 *

290' Boom			300' Boom								
Load Radius (ft)	Boom Angle (deg.)	360° Rated Load (lbs)	Load Radius (ft)	Boom Angle (deg.)	360° Rated Load (lbs)	Load Radius (ft)	Boom Angle (deg.)	360° Rated Load (lbs)	Load Radius (ft)	Boom Angle (deg.)	360° Rated Load (lbs)
60	79.3	73,000 *	165	56.7	19,100 *	60	79.6	67,700 *	165	57.9	18,400 *
65	78.3	71,200 *	170	55.5	17,700 *	65	78.7	65,900 *	170	56.8	17,100 *
70	77.2	69,500 *	175	54.3	16,400 *	70	77.7	64,200 *	175	55.7	15,900 *
75	76.2	66,800 *	180	53.1	15,200 *	75	76.7	62,400 *	180	54.5	14,700 *
80	75.2	63,000 *	185	51.8	14,000 *	80	75.7	60,200 *	185	53.3	13,500 *
85	74.2	58,300 *	190	50.5	13,000 *	85	74.7	56,800 *	190	52.1	12,400 *
90	73.2	54,100 *	195	49.2	12,000 *	90	73.7	52,800 *	195	50.9	11,300 *
95	72.1	50,300 *	200	47.9	11,100 *	95	72.7	49,100 *	200	49.6	10,400 *
100	71.1	46,800 *	205	46.6	10,300 *	100	71.7	45,600 *	205	48.4	9,600 *
105	70.0	43,600 *	210	45.2	9,400 *	105	70.7	42,500 *	210	47.1	8,800 *
110	69.0	40,800 *	215	43.8	8,600 *	110	69.7	39,600 *	215	45.7	7,900 *
115	67.9	38,100 *	220	42.3	7,700 *	115	68.7	37,000 *	220	44.4	7,000 *
120	66.8	35,600 *	225	40.8	7,000 *	120	67.6	34,600 *	225	43.0	6,000 *
125	65.7	33,300 *	230	39.3	6,300 *	125	66.6	32,300 *			
130	64.7	31,000 *	235	37.7	5,600 *	130	65.6	30,200 *			
135	63.6	29,000 *				135	64.5	28,300 *			
140	62.4	27,100 *				140	63.4	26,500 *			
145	61.3	25,300 *				145	62.4	24,800 *			
150	60.2	23,600 *				150	61.3	23,200 *			
155	59.0	22,100 *				155	60.2	21,500 *			
160	57.9	20,600 *				160	59.1	19,900 *			

# CK2500-II Jib Rated Loads in Pounds

15 Counterweights + 2 Low Weights

90' Boom									90' Boom										
Load Radius (ft.)	40 ft Jib				60 ft Jib				Load Radius (ft.)	80 ft Jib				100 ft Jib					
	10°		30°		10°		30°			10°		30°		10°		30°			
	Boom Angle (deg.)	Rated Load (lbs.)	Boom Angle (deg.)	Rated Load (lbs.)	Boom Angle (deg.)	Rated Load (lbs.)	Boom Angle (deg.)	Rated Load (lbs.)		Boom Angle (deg.)	Rated Load (lbs.)	Boom Angle (deg.)	Rated Load (lbs.)	Boom Angle (deg.)	Rated Load (lbs.)	Boom Angle (deg.)	Rated Load (lbs.)		
34	80.1	59,000 *							50	78.9	26,300 *								
36	78.7	58,400 *							55	77.2	25,400 *			78.8	14,800 *				
38	77.8	57,100 *							60	75.5	24,600 *			77.3	14,200 *				
40	76.9	56,000 *							65	73.7	23,700 *			75.7	13,700 *				
45	74.6	53,900 *							70	71.9	23,000 *			74.1	13,200 *				
50	72.3	51,800 *			78.4	45,200 *			75	70.1	22,200 *	78.4	17,700 *	72.5	12,700 *				
55	69.9	49,600 *		77.5	41,700 *	76.5	43,400 *		80	68.3	21,500 *	76.4	17,200 *	70.9	12,200 *				
60	67.5	47,700 *		75.1	40,500 *	74.5	41,800 *		85	66.4	20,800 *	74.5	16,800 *	69.3	11,700 *	78.7	9,700 *		
65	65.1	45,800 *		72.6	39,000 *	72.5	40,200 *	79.4	29,500 *	90	64.5	20,200 *	72.5	16,400 *	67.6	11,300 *	77.0	9,400 *	
70	62.6	44,300 *		70.1	37,300 *	70.4	38,800 *	77.3	29,500 *	95	62.5	19,600 *	70.4	16,000 *	65.9	11,000 *	75.2	9,100 *	
75	60.0	42,700 *		67.5	35,700 *	68.3	37,500 *	75.1	29,100 *	100	60.5	19,000 *	68.4	15,600 *	64.2	10,600 *	73.5	8,900 *	
80	57.4	41,300 *		64.9	34,300 *	66.2	36,300 *	72.9	28,400 *	105	58.5	18,400 *	66.2	15,300 *	62.5	10,300 *	71.6	8,700 *	
85	54.7	39,900 *		62.1	33,100 *	64.0	35,200 *	70.6	27,500 *	110	56.4	17,900 *	64.0	15,000 *	60.7	10,000 *	69.8	8,500 *	
90	51.8	38,600 *		59.3	32,000 *	61.8	33,900 *	68.3	26,400 *	115	54.2	17,500 *	61.7	14,700 *	58.9	9,700 *	67.9	8,300 *	
95	48.9	37,500 *		56.3	31,000 *	59.5	32,200 *	65.9	25,400 *	120	52.0	17,000 *	59.4	14,500 *	57.0	9,400 *	66.0	8,200 *	
100	45.7	36,400 *		53.2	30,100 *	57.2	30,500 *	63.5	24,500 *	125	49.6	16,600 *	56.9	14,200 *	55.1	9,200 *	64.0	8,100 *	
105	42.4	35,400 *		50.0	29,400 *	54.8	29,100 *	60.9	23,700 *	130	47.2	16,200 *	54.3	14,000 *	53.2	8,900 *	61.9	7,900 *	
110	38.9	34,400 *		46.4	28,700 *	52.2	27,700 *	58.3	22,900 *	135	44.7	15,900 *	51.6	13,800 *	51.1	8,700 *	59.8	7,800 *	
115	35.0	33,400 *		49.6	26,600 *	55.5	22,300 *	55.5	22,300 *	140	42.0	15,500 *	48.6	13,600 *	49.0	8,500 *	57.5	7,600 *	
120	30.6	32,300 *		44.0	25,500 *	52.6	21,700 *	49.5	21,100 *	145	39.1	15,200 *	45.5	13,500 *	46.9	8,300 *	55.2	7,500 *	
125				44.0	24,500 *	49.5	21,100 *			150	36.0	14,900 *	42.1	13,400 *	44.6	8,100 *	52.8	7,400 *	
130				40.9	23,600 *	46.1	20,700 *			155	32.6	14,700 *	38.2	13,300 *	42.2	8,000 *	50.2	7,300 *	
135				37.6	22,800 *	42.5	20,300 *			160			33.6	13,300 *	39.7	7,800 *	47.5	7,200 *	
140				34.0	22,000 *	38.4	20,000 *			165					37.0	7,600 *	44.6	7,200 *	
						33.6	19,700 *			170					34.1	7,300 *	41.3	7,100 *	
										175					30.9	7,100 *	37.6	6,700 *	
										180						33.3	6,500 *		

100' Boom									100' Boom									
Load Radius (ft.)	40 ft Jib				60 ft Jib				Load Radius (ft.)	80 ft Jib				100 ft Jib				
	10°		30°		10°		30°			10°		30°		10°		30°		
	Boom Angle (deg.)	Rated Load (lbs.)	Boom Angle (deg.)	Rated Load (lbs.)	Boom Angle (deg.)	Rated Load (lbs.)	Boom Angle (deg.)	Rated Load (lbs.)		Boom Angle (deg.)	Rated Load (lbs.)	Boom Angle (deg.)	Rated Load (lbs.)	Boom Angle (deg.)	Rated Load (lbs.)	Boom Angle (deg.)	Rated Load (lbs.)	
36	79.5	58,200 *							50	79.6	26,700 *							
38	78.6	57,500 *							55	77.9	25,800 *							
40	77.8	56,800 *							60	76.3	24,900 *			77.9	14,400 *			
45	75.7	54,900 *							65	74.6	24,100 *			76.4	13,900 *			
50	73.6	53,100 *							70	73.0	23,400 *			75.0	13,400 *			
55	71.4	51,400 *		78.5	42,100 *	77.3	44,200 *		75	71.3	22,700 *	79.1	17,800 *	73.4	12,900 *			
60	69.2	49,800 *		76.3	41,100 *	75.5	42,600 *		80	69.6	22,000 *	77.3	17,400 *	71.9	12,400 *			
65	67.0	48,400 *		74.0	39,900 *	73.6	41,000 *		85	67.8	21,300 *	75.5	17,000 *	70.4	12,100 *			
70	64.7	46,900 *		71.7	38,200 *	71.7	39,700 *	78.1	29,500 *	90	66.0	20,700 *	73.6	16,600 *	68.8	11,600 *	77.7	9,500 *
75	62.4	45,500 *		69.8	36,700 *	69.8	38,400 *	76.1	29,300 *	95	64.2	20,100 *	71.7	16,200 *	67.3	11,200 *	76.1	9,200 *
80	60.0	44,200 *		67.8	37,200 *	74.1	28,800 *		100	62.4	19,500 *	69.8	15,900 *	65.6	10,900 *	74.4	8,900 *	
85	57.6	43,000 *		65.8	36,100 *	72.0	28,100 *		105	60.5	19,000 *	67.8	15,500 *	64.0	10,500 *	72.7	8,800 *	
90	55.1	41,700 *		63.8	35,000 *	69.9	27,100 *		110	58.6	18,500 *	65.8	15,200 *	62.4	10,200 *	71.0	8,600 *	
95	52.5	40,300 *		61.7	33,700 *	67.7	26,100 *		115	56.6	18,000 *	63.7	14,900 *	60.7	9,900 *	69.2	8,400 *	
100	49.8	39,000 *		59.6	32,200 *	65.5	25,200 *		120	54.6	17,500 *	61.6	14,700 *	59.0	9,600 *	67.4	8,300 *	
105	46.9	37,900 *		57.4	30,600 *	63.2	24,400 *		125	52.5	17,100 *	59.4	14,400 *	57.2	9,400 *	65.6	8,100 *	
110	43.9	36,500 *		55.1	29,200 *	60.8	23,600 *		130	50.3	16,700 *	57.1	14,200 *	55.4	9,100 *	63.7	7,900 *	
115	40.7	35,300 *		52.8	28,000 *	58.4	22,900 *		135	48.0	16,300 *	54.7	14,000 *	53.5	8,900 *	61.8	7,800 *	
120	37.3	34,100 *		50.4	26,800 *	55.8	22,300 *		140	45.7	16,000 *	52.2	13,800 *	51.6	8,700 *	59.8	7,700 *	
125	33.6	32,900 *		47.8	25,800 *	53.2	21,800 *		145	43.2	15,600 *	49.5	13,700 *	49.7	8,500 *	57.7	7,600 *	
130				45.2	24,800 *	50.3	21,200 *		150	40.6	15,300 *	46.7	13,500 *	47.6	8,400 *	55.5	7,500 *	
135				42.4	24,000 *	47.3	20,800 *		155	37.9	15,100 *	43.6	13,400 *	45.5	8,200 *	53.3	7,300 *	
140				39.4	23,200 *	44.1	20,400 *		160	34.9	14,800 *	40.3	13,400 *	43.3	8,000 *	50.9	7,200 *	
145				36.2	22,400 *	40.6	20,100 *		165	31.6	14,600 *	36.5	13,300 *	41.0	7,900 *	48.4	7,200 *	
150				32.7	21,800 *	36.6	19,800 *		170			32.0	13,300 *	38.5	7,700 *	45.8	7,200 *	
									175					35.9	7,500 *	42.9	7,100 *	
									180					33.1	7,300 *	39.7	6,800 *	
									185					30.0	6,800 *	36.1	6,500 *	
									190						32.0	6,400 *		

# CK2500-II Jib Rated Loads in Pounds

15 Counterweights + 2 Low Weights

110' Boom									110' Boom								
Load Radius (ft.)	40 ft Jib				60 ft Jib				Load Radius (ft.)	80 ft Jib				100 ft Jib			
	10°		30°		10°		30°			10°		30°		10°		30°	
	Boom Angle (deg.)	Rated Load (lbs.)	Boom Angle (deg.)	Rated Load (lbs.)	Boom Angle (deg.)	Rated Load (lbs.)	Boom Angle (deg.)	Rated Load (lbs.)		Boom Angle (deg.)	Rated Load (lbs.)	Boom Angle (deg.)	Rated Load (lbs.)	Boom Angle (deg.)	Rated Load (lbs.)	Boom Angle (deg.)	Rated Load (lbs.)
38	79.4	58,200 *							55	78.6	26,100 *						
40	78.6	57,600 *							60	77.0	25,300 *			78.5	14,600 *		
45	76.7	55,700 *							65	75.5	24,500 *			77.1	14,100 *		
50	74.7	53,900 *							70	73.9	23,800 *			75.7	13,600 *		
55	72.7	52,300 *							75	72.3	23,100 *			74.3	13,100 *		
60	70.7	50,800 *							80	70.7	22,400 *			72.8	12,700 *		
65	68.6	49,400 *							85	69.1	21,800 *			71.4	12,300 *		
70	66.6	48,000 *							90	67.4	21,100 *			69.9	11,800 *	78.4	
75	64.4	46,600 *							95	65.7	20,500 *			68.4	11,400 *	76.8	
80	62.3	45,300 *							100	64.0	20,000 *			66.9	11,000 *	75.3	
85	60.0	44,100 *							105	62.2	19,400 *			65.4	10,800 *	73.7	
90	57.8	43,100 *							110	60.5	18,900 *			63.8	10,500 *	72.1	
95	55.4	42,000 *							115	58.6	18,500 *			62.2	10,100 *	70.4	
100	53.0	40,800 *							120	56.8	18,000 *			60.6	9,900 *	68.8	
105	50.5	39,600 *							125	54.9	17,600 *			59.0	9,600 *	67.0	
110	47.9	38,500 *							130	52.9	17,200 *			57.3	9,400 *	65.3	
115	45.2	37,300 *							135	50.9	16,800 *			55.6	9,100 *	63.5	
120	42.3	36,000 *							140	48.8	16,400 *			53.9	8,900 *	61.7	
125	39.2	34,700 *							145	46.6	16,100 *			52.1	8,700 *	59.8	
130	35.9	33,500 *							150	44.3	15,800 *			50.2	8,500 *	57.8	
135	32.3	32,600 *							155	41.9	15,500 *			48.3	8,300 *	55.8	
140									160	39.4	15,200 *			46.3	8,200 *	53.7	
145									165	36.7	14,900 *			44.3	8,100 *	51.5	
150									170	33.8	14,700 *			42.1	7,900 *	49.2	
155									175	30.6	14,500 *			39.9	7,700 *	46.8	
160									180					37.5	7,600 *	44.1	
									185					34.9	7,400 *	41.3	
									190					32.2	7,000 *	38.2	
									195						34.6	6,400 *	
									200						30.4	6,100 *	

120' Boom									120' Boom								
Load Radius (ft.)	40 ft Jib				60 ft Jib				Load Radius (ft.)	80 ft Jib				100 ft Jib			
	10°		30°		10°		30°			10°		30°		10°		30°	
	Boom Angle (deg.)	Rated Load (lbs.)	Boom Angle (deg.)	Rated Load (lbs.)	Boom Angle (deg.)	Rated Load (lbs.)	Boom Angle (deg.)	Rated Load (lbs.)		Boom Angle (deg.)	Rated Load (lbs.)	Boom Angle (deg.)	Rated Load (lbs.)	Boom Angle (deg.)	Rated Load (lbs.)	Boom Angle (deg.)	Rated Load (lbs.)
40	79.3	58,300 *							55	79.2	26,400 *						
45	77.5	56,500 *							60	77.7	25,600 *			79.0	14,800 *		
50	75.7	54,700 *							65	76.2	24,800 *			77.7	14,300 *		
55	73.8	53,100 *							70	74.7	24,100 *			76.4	13,800 *		
60	71.9	51,700 *							75	73.2	23,400 *			75.0	13,400 *		
65	70.0	50,300 *							80	71.7	22,800 *			73.6	12,900 *		
70	68.1	48,800 *							85	70.2	22,200 *			72.3	12,500 *		
75	66.1	47,600 *							90	68.6	21,600 *			70.9	12,100 *		
80	64.2	46,400 *							95	67.0	21,000 *			69.5	11,700 *	77.5	
85	62.1	45,200 *							100	65.4	20,400 *			68.0	11,300 *	76.0	
90	60.0	44,000 *							105	63.8	19,900 *			66.6	11,000 *	74.5	
95	57.9	42,900 *							110	62.1	19,400 *			65.1	10,700 *	73.0	
100	55.7	41,700 *							115	60.4	18,900 *			63.7	10,400 *	71.5	
105	53.5	40,500 *							120	58.7	18,400 *			62.1	10,100 *	69.9	
110	51.2	39,500 *							125	57.0	18,000 *			60.6	9,800 *	68.3	
115	48.7	38,400 *							130	55.1	17,600 *			59.1	9,600 *	66.7	
120	46.2	37,200 *							135	53.3	17,200 *			57.5	9,400 *	65.0	
125	43.6	36,000 *							140	51.4	16,900 *			55.8	9,200 *	63.3	
130	40.8	35,000 *							145	49.4	16,500 *			54.2	9,000 *	61.6	
135	37.9	34,100 *							150	47.4	16,200 *			52.5	8,800 *	59.8	
140	34.7	33,100 *							155	45.3	15,900 *			50.7	8,600 *	58.0	
145	31.2	32,200 *							160	43.0	15,600 *			48.9	8,400 *	56.1	
150									165	40.7	15,300 *			47.1	8,300 *	54.1	
155									170	38.3	15,100 *			45.1	8,100 *	52.0	
160									175	35.6	14,800 *			43.1	8,000 *	49.9	
165									180	32.8	14,600 *			41.0	7,800 *	47.6	
									185					38.8	7,600 *	45.2	
									190					36.5	7,500 *	42.7	
									195					34.0	7,400 *	39.9	
									200					31.3	7,300 *	36.8	
									205						33.3	6,300 *	

# CK2500-II Jib Rated Loads in Pounds

15 Counterweights + 2 Low Weights

		130' Boom				60 ft Jib						130' Boom				100 ft Jib			
Load Radius (ft.)	40 ft Jib				60 ft Jib				Load Radius (ft.)	80 ft Jib				100 ft Jib					
	10°		30°		10°		30°			10°		30°		10°		30°			
	Boom Angle (deg.)	Rated Load (lbs.)	Boom Angle (deg.)	Rated Load (lbs.)	Boom Angle (deg.)	Rated Load (lbs.)	Boom Angle (deg.)	Rated Load (lbs.)		Boom Angle (deg.)	Rated Load (lbs.)	Boom Angle (deg.)	Rated Load (lbs.)	Boom Angle (deg.)	Rated Load (lbs.)	Boom Angle (deg.)	Rated Load (lbs.)		
45	78.3	57,100 *							55	79.7	26,700 *								
50	76.5	55,500 *			79.4	46,100 *			60	78.3	25,900 *								
55	74.8	53,900 *	78.8	42,100 *	77.8	44,600 *			65	76.9	25,100 *			78.2	14,600 *				
60	73.0	52,500 *	77.0	41,300 *	76.3	43,100 *			70	75.5	24,500 *			77.0	14,100 *				
65	71.3	51,100 *	75.2	40,600 *	74.7	41,800 *			75	74.1	23,800 *			75.7	13,600 *				
70	69.5	49,700 *	73.4	39,300 *	73.1	40,600 *	78.5	29,500 *	80	72.6	23,200 *	79.3	17,800 *	74.4	13,100 *				
75	67.6	48,400 *	71.5	37,900 *	71.5	39,500 *	76.9	29,500 *	85	71.2	22,600 *	77.8	17,400 *	73.1	12,800 *				
80	65.8	47,100 *	69.6	36,600 *	69.9	38,400 *	75.2	29,000 *	90	69.7	22,000 *	76.2	17,100 *	71.7	12,300 *				
85	63.9	45,900 *	67.6	35,500 *	68.3	37,400 *	73.5	28,500 *	95	68.2	21,400 *	74.7	16,700 *	70.4	11,900 *	78.1	9,400 *		
90	62.0	44,500 *	65.7	34,500 *	66.6	36,400 *	71.8	27,800 *	100	66.7	20,800 *	73.1	16,400 *	69.1	11,500 *	76.7	9,200 *		
95	60.0	43,400 *	63.7	33,500 *	64.9	35,500 *	70.0	27,000 *	105	65.2	20,300 *	71.5	16,100 *	67.7	11,200 *	75.3	9,000 *		
100	58.0	42,300 *	61.6	32,600 *	63.2	34,600 *	68.2	26,200 *	110	63.6	19,800 *	69.9	15,800 *	66.3	10,900 *	73.9	8,800 *		
105	56.0	41,200 *	59.5	31,800 *	61.4	33,500 *	66.4	25,400 *	115	62.0	19,300 *	68.3	15,500 *	64.9	10,600 *	72.4	8,700 *		
110	53.9	40,000 *	57.3	31,100 *	59.6	32,100 *	64.5	24,700 *	120	60.4	18,900 *	66.6	15,300 *	63.5	10,400 *	70.9	8,500 *		
115	51.7	38,800 *	55.1	30,400 *	57.8	30,800 *	62.6	24,100 *	125	58.8	18,400 *	64.9	15,000 *	62.0	10,100 *	69.4	8,300 *		
120	49.5	37,700 *	52.7	29,800 *	55.9	29,600 *	60.7	23,500 *	130	57.1	18,000 *	63.1	14,800 *	60.6	9,800 *	67.9	8,200 *		
125	47.1	36,700 *	50.3	29,200 *	54.0	28,500 *	58.7	22,900 *	135	55.4	17,600 *	61.3	14,600 *	59.1	9,600 *	66.4	8,100 *		
130	44.7	35,700 *	47.8	28,800 *	52.0	27,500 *	56.6	22,400 *	140	53.6	17,300 *	59.5	14,400 *	57.6	9,400 *	64.8	8,000 *		
135	42.2	34,700 *	45.1	28,300 *	50.0	26,600 *	54.5	21,900 *	145	51.8	16,900 *	57.6	14,200 *	56.0	9,200 *	63.2	7,900 *		
140	39.5	33,700 *	42.3	27,900 *	47.9	25,700 *	52.3	21,500 *	150	50.0	16,600 *	55.6	14,000 *	54.5	9,000 *	61.5	7,800 *		
145	36.6	32,600 *	39.3	27,600 *	45.7	24,900 *	49.9	21,100 *	155	48.1	16,300 *	53.6	13,900 *	52.8	8,800 *	59.8	7,700 *		
150	33.6	31,500 *	36.0	27,400 *	43.4	24,200 *	47.5	20,800 *	160	46.1	16,000 *	51.5	13,700 *	51.2	8,600 *	58.1	7,600 *		
155	30.2	30,100 *	32.3	27,300 *	41.0	23,500 *	44.9	20,400 *	165	44.0	15,700 *	49.3	13,600 *	49.5	8,400 *	56.3	7,500 *		
160					38.5	22,800 *	42.2	20,100 *	170	41.9	15,400 *	47.0	13,500 *	47.7	8,300 *	54.4	7,400 *		
165					35.8	22,200 *	39.2	19,900 *	175	39.6	15,200 *	44.5	13,400 *	45.9	8,200 *	52.5	7,300 *		
170					32.9	21,700 *	36.0	19,700 *	180	37.2	15,000 *	41.9	13,300 *	44.0	8,000 *	50.5	7,200 *		
175							32.3	19,600 *	185	34.7	14,700 *	39.0	13,300 *	42.1	7,800 *	48.4	7,200 *		
									190	31.9	14,500 *	35.9	13,300 *	40.0	7,700 *	46.2	7,200 *		
									195			32.3	13,300 *	37.9	7,500 *	43.8	7,100 *		
									200					35.6	7,400 *	41.3	6,900 *		
									205					33.2	7,400 *	38.6	6,700 *		
									210					30.5	7,200 *	35.6	6,600 *		
									215							32.0	6,200 *		

		140' Boom				60 ft Jib						140' Boom				100 ft Jib			
Load Radius (ft.)	40 ft Jib				60 ft Jib				Load Radius (ft.)	80 ft Jib				100 ft Jib					
	10°		30°		10°		30°			10°		30°		10°		30°			
	Boom Angle (deg.)	Rated Load (lbs.)	Boom Angle (deg.)	Rated Load (lbs.)	Boom Angle (deg.)	Rated Load (lbs.)	Boom Angle (deg.)	Rated Load (lbs.)		Boom Angle (deg.)	Rated Load (lbs.)	Boom Angle (deg.)	Rated Load (lbs.)	Boom Angle (deg.)	Rated Load (lbs.)	Boom Angle (deg.)	Rated Load (lbs.)		
45	78.9	57,700 *							60	78.8	26,200 *								
50	77.3	56,200 *			79.9	46,600 *			65	77.5	25,400 *			78.7	14,800 *				
55	75.7	54,600 *	79.5	42,300 *	78.4	45,100 *			70	76.2	24,800 *			77.5	14,300 *				
60	74.0	53,200 *	77.8	41,600 *	77.0	43,700 *			75	74.8	24,100 *			76.3	13,800 *				
65	72.3	51,900 *	76.1	40,900 *	75.5	42,400 *			80	73.4	23,500 *			75.0	13,300 *				
70	70.7	50,600 *	74.4	39,800 *	74.0	41,200 *	79.1	29,500 *	85	72.1	22,900 *	78.4	17,500 *	73.8	12,900 *				
75	69.0	49,500 *	72.6	38,600 *	72.5	40,100 *	77.6	29,500 *	90	70.7	22,400 *	76.9	17,200 *	72.5	12,500 *				
80	67.2	48,400 *	70.8	37,400 *	71.0	39,000 *	76.0	29,300 *	95	69.3	21,800 *	75.5	16,900 *	71.3	12,100 *	78.6	9,500 *		
85	65.5	47,300 *	69.0	36,200 *	69.4	38,000 *	74.4	28,800 *	100	67.8	21,200 *	74.0	16,600 *	70.0	11,700 *	77.3	9,400 *		
90	63.7	46,100 *	67.2	35,200 *	67.8	37,100 *	72.8	28,300 *	105	66.4	20,700 *	72.5	16,300 *	68.7	11,400 *	76.0	9,200 *		
95	61.9	44,800 *	65.3	34,300 *	66.3	36,200 *	71.2	27,600 *	110	64.9	20,200 *	71.0	16,000 *	67.4	11,100 *	74.6	9,000 *		
100	60.0	43,700 *	63.4	33,400 *	64.7	35,400 *	69.5	26,700 *	115	63.4	19,700 *	69.4	15,700 *	66.1	10,900 *	73.3	8,900 *		
105	58.1	42,700 *	61.5	32,500 *	63.0	34,600 *	67.8	26,000 *	120	61.9	19,300 *	67.9	15,500 *	64.7	10,600 *	71.9	8,700 *		
110	56.2	41,700 *	59.5	31,800 *	61.4	33,300 *	66.1	25,300 *	125	60.4	18,900 *	66.3	15,200 *	63.3	10,300 *	70.4	8,500 *		
115	54.2	40,600 *	57.5	31,100 *	59.7	32,100 *	64.3	24,600 *	130	58.8	18,500 *	64.6	15,000 *	62.0	10,100 *	69.0	8,400 *		
120	52.2	39,400 *	55.4	30,500 *	57.9	30,800 *	62.5	24,000 *	135	57.2	18,100 *	63.0	14,800 *	60.6	9,800 *	67.5	8,200 *		
125	50.1	38,200 *	53.2	29,900 *	56.2	29,700 *	60.6	23,400 *	140	55.6	17,700 *	61.3	14,600 *	59.1	9,600 *	66.1	8,100 *		
130	47.9	37,200 *	51.0	29,300 *	54.3	28,600 *	58.8	22,900 *	145	54.0	17,300 *	59.5	14,400 *	57.7	9,400 *	64.6	8,000 *		
135	45.7	35,700 *	48.6	28,900 *	52.5	27,700 *	56.8	22,400 *	150	52.3	17,000 *	57.7	14,200 *	56.2	9,200 *	63.0	7,900 *		
140	43.3	34,000 *	46.2	28,500 *	50.6	26,800 *	54.8	22,000 *	155	50.5	16,700 *	55.9	14,000 *	54.7	9,000 *	61.4	7,800 *		
145	40.9	32,400 *	43.6	28,100 *	48.6	25,900 *	52.7	21,600 *	160	48.7	16,400 *	54.0	13,900 *	53.2	8,800 *	59.8	7,700 *		
150	38.3	31,100 *	40.9	27,800 *	46.5	25,200 *	50.6	21,200 *	165	46.8	16,100 *	52.0	13,700 *	51.6	8,600 *	58.2	7,600 *		
155	35.5	29,600 *	37.9	27,500 *	44.4	24,400 *	48.3	20,800 *	170	44.9	15,800 *	49.9	13,600 *	50.0	8,400 *	56.5	7,500 *		
160	32.5	28,100 *	34.7	27,300 *	42.2	23,800 *	46.0	20,500 *	175	42.9	15,500 *	47.8	13,500 *	48.3	8,300 *	54.7	7,300 *		
165			31.2	27,000 *	39.9	23,100 *	43.5	20,200 *	180	40.8	15,300 *	45.5	13,400 *	46.6	8,200 *	52.9	7,200 *		
170					37.4	22,600 *	40.8	20,000 *	185	38.6	15,100 *	43.1	13,400 *	44.8	8,100 *	51.0	7,200 *		
175					34.8	22,000 *	37.9	19,800 *	190	36.2	14,900 *	40.6	13,300 *	43.0	7,900 *	49.1	7,200 *		
180					31.9	21,500 *	34.8	19,700 *	195	33.7	14,700 *	37.8	13,300 *	41.1	7,800 *	47.0	7,100 *		
185							31.2	19,600 *	200	31.0	14,500 *	34.7	13,300 *	39.1	7,700 *	44.8	7,000 *		
									205			31.2	13,300 *	37.0	7,600 *	42.5	7,000 *		
									210					34.8	7,400 *	40.1	6,900 *		
									215					32.4	7,300 *	37.4	6,700 *		
									220							34.4	6,400 *		
									225							31.0	6,200 *		



# CK2500-II Jib Rated Loads in Pounds

15 Counterweights + 2 Low Weights

150' Boom				60 ft Jib				150' Boom				100 ft Jib						
Load Radius (ft.)	40 ft Jib		30°		10°		30°		Load Radius (ft.)	80 ft Jib		30°		10°		30°		
	10°		30°		10°		30°			10°		30°		10°		30°		
	Boom Angle (deg.)	Rated Load (lbs.)	Boom Angle (deg.)	Rated Load (lbs.)	Boom Angle (deg.)	Rated Load (lbs.)	Boom Angle (deg.)	Rated Load (lbs.)		Boom Angle (deg.)	Rated Load (lbs.)	Boom Angle (deg.)	Rated Load (lbs.)	Boom Angle (deg.)	Rated Load (lbs.)	Boom Angle (deg.)	Rated Load (lbs.)	
45	79.5	58,200 *							60	79.3	26,400 *							
50	78.0	56,800 *							65	78.1	25,700 *							
55	76.4	55,300 *			79.0	45,600 *			70	76.8	25,000 *			78.0	14,300 *			
60	74.9	53,900 *	78.5	41,900 *	77.6	44,300 *			75	75.5	24,400 *			76.8	13,900 *			
65	73.3	52,600 *	76.9	41,200 *	76.2	43,000 *			80	74.2	23,800 *			75.7	13,500 *			
70	71.7	51,200 *	75.2	40,400 *	74.8	41,800 *	79.7	29,500 *	85	72.9	23,200 *	78.9	17,700 *	74.5	13,000 *			
75	70.1	49,900 *	73.6	39,300 *	73.3	40,700 *	78.2	29,500 *	90	71.6	22,700 *	77.6	17,300 *	73.3	12,700 *			
80	68.5	48,600 *	71.9	38,100 *	71.9	39,700 *	76.7	29,500 *	95	70.2	22,100 *	76.2	17,000 *	72.1	12,300 *			
85	66.9	47,400 *	70.2	36,900 *	70.4	38,700 *	75.2	29,000 *	100	68.9	21,600 *	74.8	16,700 *	70.8	12,000 *	77.9	9,400 *	
90	65.2	46,100 *	68.5	35,900 *	69.0	37,700 *	73.7	28,600 *	105	67.5	21,100 *	73.4	16,400 *	69.6	11,700 *	76.6	9,200 *	
95	63.5	44,800 *	66.8	35,000 *	67.5	36,900 *	72.2	27,900 *	110	66.1	20,600 *	71.9	16,100 *	68.3	11,400 *	75.3	9,000 *	
100	61.8	43,700 *	65.0	34,100 *	66.0	36,000 *	70.6	27,200 *	115	64.7	20,100 *	70.5	15,900 *	67.1	11,100 *	74.0	8,900 *	
105	60.0	42,500 *	63.2	33,200 *	64.4	35,200 *	69.0	26,500 *	120	63.3	19,700 *	69.0	15,600 *	65.8	10,800 *	72.7	8,700 *	
110	58.2	41,300 *	61.4	32,500 *	62.9	34,500 *	67.4	25,800 *	125	61.8	19,200 *	67.5	15,400 *	64.5	10,500 *	71.3	8,500 *	
115	56.4	40,000 *	59.5	31,800 *	61.3	33,300 *	65.7	25,100 *	130	60.4	18,800 *	66.0	15,100 *	63.2	10,300 *	70.0	8,400 *	
120	54.5	38,700 *	57.6	31,100 *	59.7	32,000 *	64.1	24,500 *	135	58.9	18,400 *	64.4	14,900 *	61.9	10,000 *	68.6	8,300 *	
125	52.6	37,600 *	55.6	30,500 *	58.0	30,900 *	62.4	23,900 *	140	57.4	18,100 *	62.8	14,700 *	60.5	9,800 *	67.2	8,200 *	
130	50.7	36,200 *	53.6	29,900 *	56.3	29,800 *	60.6	23,400 *	145	55.8	17,700 *	61.2	14,500 *	59.2	9,600 *	65.8	8,100 *	
135	48.6	34,900 *	51.5	29,400 *	54.6	28,800 *	58.8	22,900 *	150	54.2	17,400 *	59.6	14,400 *	57.8	9,400 *	64.3	7,900 *	
140	46.5	33,500 *	49.3	29,000 *	52.9	27,800 *	57.0	22,400 *	155	52.6	17,000 *	57.9	14,200 *	56.4	9,200 *	62.9	7,800 *	
145	44.3	31,900 *	47.1	28,500 *	51.1	27,000 *	55.1	22,000 *	160	51.0	16,700 *	56.1	14,000 *	54.9	9,000 *	61.4	7,700 *	
150	42.1	30,200 *	44.7	28,200 *	49.2	26,200 *	53.1	21,600 *	165	49.2	16,400 *	54.3	13,900 *	53.5	8,800 *	59.8	7,600 *	
155	39.7	28,700 *	42.2	27,900 *	47.3	25,400 *	51.1	21,300 *	170	47.5	16,200 *	52.4	13,800 *	52.0	8,700 *	58.3	7,500 *	
160	37.2	27,300 *	39.5	27,300 *	45.3	24,700 *	49.0	20,900 *	175	45.7	15,900 *	50.5	13,600 *	50.4	8,500 *	56.6	7,400 *	
165	34.5	26,000 *	36.7	26,400 *	43.2	24,000 *	46.8	20,600 *	180	43.8	15,600 *	48.5	13,500 *	48.8	8,400 *	55.0	7,400 *	
170	31.6	24,800 *	33.6	25,000 *	41.1	23,400 *	44.5	20,300 *	185	41.8	15,400 *	46.4	13,400 *	47.2	8,300 *	53.3	7,300 *	
175			30.1	23,800 *	38.8	22,900 *	42.1	20,100 *	190	39.8	15,200 *	44.2	13,400 *	45.5	8,100 *	51.5	7,200 *	
180					36.4	22,300 *	39.5	19,900 *	195	37.6	15,000 *	41.8	13,300 *	43.8	7,900 *	49.6	7,200 *	
185					33.8	21,800 *	36.7	19,700 *	200	35.3	14,800 *	39.3	13,300 *	42.0	7,800 *	47.7	7,200 *	
190					31.1	21,400 *	33.6	19,600 *	205	32.9	14,600 *	36.6	13,300 *	40.1	7,600 *	45.7	7,200 *	
195							30.1	19,600 *	210	30.3	14,400 *	33.6	13,300 *	38.2	7,500 *	43.6	7,000 *	
									215			30.1	13,300 *	36.1	7,400 *	41.3	6,800 *	
									220					34.0	7,300 *	38.9	6,700 *	
									225					31.6	7,100 *	36.3	6,500 *	
									230					31.6	6,700 *	36.3	6,300 *	
									235						36.0	6,200 *		

# CK2500-II Jib Rated Loads in Pounds

15 Counterweights + 2 Low Weights

160' Boom									160' Boom								
Load Radius (ft.)	40 ft Jib				60 ft Jib				Load Radius (ft.)	80 ft Jib				100 ft Jib			
	10°		30°		10°		30°			10°		30°		10°		30°	
	Boom Angle (deg.)	Rated Load (lbs.)	Boom Angle (deg.)	Rated Load (lbs.)	Boom Angle (deg.)	Rated Load (lbs.)	Boom Angle (deg.)	Rated Load (lbs.)		Boom Angle (deg.)	Rated Load (lbs.)	Boom Angle (deg.)	Rated Load (lbs.)	Boom Angle (deg.)	Rated Load (lbs.)	Boom Angle (deg.)	Rated Load (lbs.)
50	78.6	57,300 *							65	78.6	26,000 *						
55	77.1	55,900 *			79.5	46,100 *			70	77.3	25,300 *			78.5	14,500 *		
60	75.7	54,500 *	79.1	42,100 *	78.2	44,800 *			75	76.1	24,700 *			77.4	14,100 *		
65	74.2	53,300 *	77.6	41,400 *	76.8	43,600 *			80	74.9	24,100 *			76.2	13,700 *		
70	72.7	51,800 *	76.0	40,800 *	75.5	42,400 *			85	73.6	23,500 *	79.4	17,800 *	75.1	13,200 *		
75	71.2	50,300 *	74.5	39,900 *	74.1	41,300 *	78.8	29,500 *	90	72.4	23,000 *	78.1	17,400 *	73.9	12,900 *		
80	69.6	49,000 *	72.9	38,700 *	72.8	40,300 *	77.4	29,500 *	95	71.1	22,500 *	76.8	17,100 *	72.8	12,500 *		
85	68.1	47,700 *	71.3	37,600 *	71.4	39,300 *	76.0	29,200 *	100	69.8	22,000 *	75.5	16,800 *	71.6	12,200 *	78.4	9,300 *
90	66.5	46,500 *	69.7	36,600 *	70.0	38,400 *	74.5	28,800 *	105	68.5	21,400 *	74.1	16,500 *	70.4	11,900 *	77.2	9,200 *
95	64.9	45,400 *	68.1	35,600 *	68.6	37,500 *	73.1	28,300 *	110	67.2	21,000 *	72.8	16,300 *	69.2	11,500 *	75.9	9,100 *
100	63.3	44,400 *	66.5	34,700 *	67.1	36,600 *	71.6	27,700 *	115	65.9	20,500 *	71.4	16,000 *	68.0	11,200 *	74.7	8,900 *
105	61.7	43,400 *	64.8	33,900 *	65.7	35,900 *	70.1	26,900 *	120	64.5	20,000 *	70.0	15,800 *	66.8	10,900 *	73.4	8,700 *
110	60.0	42,400 *	63.1	33,100 *	64.2	35,100 *	68.6	26,200 *	125	63.2	19,600 *	68.6	15,500 *	65.6	10,700 *	72.2	8,600 *
115	58.3	41,400 *	61.3	32,400 *	62.7	34,300 *	67.0	25,600 *	130	61.8	19,200 *	67.2	15,300 *	64.3	10,400 *	70.9	8,500 *
120	56.6	40,300 *	59.6	31,700 *	61.2	33,200 *	65.5	25,000 *	135	60.4	18,800 *	65.7	15,100 *	63.1	10,200 *	69.6	8,400 *
125	54.8	39,100 *	57.7	31,100 *	59.7	32,000 *	63.9	24,400 *	140	58.9	18,400 *	64.2	14,900 *	61.8	10,000 *	68.3	8,300 *
130	53.0	37,200 *	55.9	30,500 *	58.1	30,900 *	62.2	23,900 *	145	57.5	18,100 *	62.7	14,700 *	60.5	9,800 *	66.9	8,100 *
135	51.2	35,200 *	54.0	30,000 *	56.5	29,900 *	60.6	23,400 *	150	56.0	17,700 *	61.2	14,500 *	59.2	9,600 *	65.6	8,000 *
140	49.3	33,300 *	52.0	29,500 *	54.9	28,900 *	58.9	22,900 *	155	54.5	17,400 *	59.6	14,300 *	57.9	9,400 *	64.2	7,900 *
145	47.3	31,500 *	50.0	29,100 *	53.2	28,000 *	57.1	22,400 *	160	53.0	17,100 *	58.0	14,200 *	56.5	9,200 *	62.8	7,800 *
150	45.2	29,800 *	47.9	28,600 *	51.5	27,100 *	55.4	22,000 *	165	51.4	16,800 *	56.3	14,000 *	55.1	9,000 *	61.3	7,700 *
155	43.1	28,300 *	45.7	28,300 *	49.7	26,400 *	53.5	21,700 *	170	49.8	16,500 *	54.6	13,900 *	53.7	8,800 *	59.8	7,600 *
160	40.9	26,800 *	43.4	27,400 *	47.9	25,600 *	51.6	21,300 *	175	48.1	16,200 *	52.8	13,800 *	52.3	8,600 *	58.3	7,500 *
165	38.6	25,500 *	40.9	26,000 *	46.1	24,900 *	49.7	21,000 *	180	46.4	16,000 *	51.0	13,700 *	50.8	8,500 *	56.8	7,400 *
170	36.1	24,300 *	38.3	24,800 *	44.1	24,300 *	47.6	20,700 *	185	44.6	15,700 *	49.1	13,600 *	49.3	8,300 *	55.2	7,400 *
175	33.5	23,200 *	35.6	23,500 *	42.1	23,700 *	45.5	20,400 *	190	42.8	15,500 *	47.2	13,500 *	47.8	8,200 *	53.6	7,300 *
180	30.7	22,100 *	32.5	22,300 *	40.0	22,800 *	43.2	20,200 *	195	40.8	15,300 *	45.1	13,400 *	46.2	8,100 *	51.9	7,200 *
185					37.8	21,800 *	40.9	20,000 *	200	38.8	15,100 *	42.9	13,300 *	44.6	8,000 *	50.2	7,200 *
190					35.4	20,900 *	38.3	19,800 *	205	36.7	14,900 *	40.6	13,300 *	42.9	7,900 *	48.4	7,200 *
195					32.9	19,900 *	35.6	19,700 *	210	34.5	14,700 *	38.2	13,300 *	41.1	7,800 *	46.5	7,100 *
200					30.2	19,100 *	32.6	19,300 *	215	32.1	14,500 *	35.5	13,300 *	39.3	7,700 *	44.5	7,000 *
									220			32.5	13,300 *	37.4	7,600 *	42.4	6,900 *
									225					35.4	7,500 *	40.2	6,700 *
									230					33.2	7,400 *	37.8	6,600 *
									235					30.9	7,100 *	35.3	6,400 *
									240						32.0	6,200 *	

# CK2500-II Jib Rated Loads in Pounds

15 Counterweights + 2 Low Weights

170' Boom				60 ft Jib				170' Boom				100 ft Jib					
Load Radius (ft.)	40 ft Jib				10°		30°		Load Radius (ft.)	80 ft Jib				10°		30°	
	10°		30°		Boom Angle (deg.)	Rated Load (lbs.)	Boom Angle (deg.)	Rated Load (lbs.)		10°		30°		Boom Angle (deg.)	Rated Load (lbs.)	Boom Angle (deg.)	Rated Load (lbs.)
	Boom Angle (deg.)	Rated Load (lbs.)	Boom Angle (deg.)	Rated Load (lbs.)						Boom Angle (deg.)	Rated Load (lbs.)	Boom Angle (deg.)	Rated Load (lbs.)				
50	79.1	57,900 *							65	79.0	26,200 *						
55	77.7	56,500 *			79.9	45,300 *			70	77.9	25,600 *			78.9	14,700 *		
60	76.3	55,100 *			78.7	44,100 *			75	76.7	25,000 *			77.8	14,200 *		
65	74.9	53,900 *			77.4	42,900 *			80	75.5	24,400 *			76.8	13,800 *		
70	73.5	52,400 *	78.2	41,700 *	76.1	41,800 *			85	74.3	23,800 *			75.7	13,400 *		
75	72.1	51,100 *	75.3	40,300 *	74.8	40,800 *	79.3	29,500 *	90	73.1	23,300 *	78.6	17,600 *	74.5	13,100 *		
80	70.6	49,900 *	73.8	39,300 *	73.5	39,800 *	78.0	29,500 *	95	71.9	22,800 *	77.4	17,200 *	73.4	12,700 *		
85	69.2	48,700 *	72.3	38,200 *	72.2	38,900 *	76.6	29,400 *	100	70.7	22,300 *	76.1	17,000 *	72.3	12,400 *	78.8	9,200 *
90	67.7	47,700 *	70.8	37,200 *	70.9	38,100 *	75.3	29,000 *	105	69.4	21,800 *	74.8	16,700 *	71.2	12,100 *	77.7	9,200 *
95	66.2	46,700 *	69.3	36,200 *	69.6	37,200 *	73.9	28,600 *	110	68.2	21,300 *	73.6	16,400 *	70.0	11,700 *	76.5	9,200 *
100	64.7	45,700 *	67.7	35,300 *	68.2	36,400 *	72.5	28,100 *	115	66.9	20,800 *	72.2	16,100 *	68.9	11,400 *	75.3	9,100 *
105	63.2	44,700 *	66.1	34,500 *	66.8	35,700 *	71.1	27,400 *	120	65.6	20,400 *	70.9	15,900 *	67.7	11,100 *	74.1	8,900 *
110	61.6	43,700 *	64.5	33,700 *	65.4	35,000 *	69.6	26,700 *	125	64.3	20,000 *	69.6	15,700 *	66.6	10,900 *	72.9	8,800 *
115	60.0	42,800 *	62.9	33,000 *	64.0	34,200 *	68.2	26,000 *	130	63.0	19,500 *	68.2	15,400 *	65.4	10,600 *	71.7	8,600 *
120	58.4	41,300 *	61.3	32,300 *	62.6	33,100 *	66.7	25,400 *	135	61.7	19,200 *	66.8	15,200 *	64.2	10,400 *	70.5	8,400 *
125	56.8	38,800 *	59.6	31,700 *	61.2	32,000 *	65.2	24,800 *	140	60.4	18,800 *	65.4	15,000 *	63.0	10,200 *	69.2	8,300 *
130	55.1	36,600 *	57.9	31,100 *	59.7	30,900 *	63.7	24,300 *	145	59.0	18,400 *	64.0	14,800 *	61.7	10,000 *	67.9	8,200 *
135	53.4	34,500 *	56.1	30,500 *	58.2	29,900 *	62.1	23,800 *	150	57.6	18,100 *	62.6	14,700 *	60.5	9,800 *	66.6	8,100 *
140	51.6	32,600 *	54.3	30,000 *	56.7	29,000 *	60.6	23,300 *	155	56.2	17,800 *	61.1	14,500 *	59.2	9,600 *	65.3	8,000 *
145	49.8	30,800 *	52.4	29,600 *	55.1	28,100 *	58.9	22,900 *	160	54.7	17,400 *	59.6	14,300 *	58.0	9,400 *	64.0	7,900 *
150	47.9	29,200 *	50.5	29,100 *	53.5	27,300 *	57.3	22,400 *	165	53.3	17,100 *	58.1	14,200 *	56.7	9,200 *	62.6	7,800 *
155	46.0	27,700 *	48.5	28,100 *	51.9	26,500 *	55.6	22,100 *	170	51.8	16,800 *	56.5	14,000 *	55.3	9,000 *	61.3	7,700 *
160	44.0	26,200 *	46.5	26,800 *	50.2	25,700 *	53.9	21,700 *	175	50.2	16,600 *	54.9	13,900 *	54.0	8,800 *	59.8	7,500 *
165	42.0	24,900 *	44.3	25,500 *	48.5	24,600 *	52.1	21,400 *	180	48.6	16,300 *	53.2	13,800 *	52.6	8,700 *	58.4	7,400 *
170	39.8	23,700 *	42.1	24,100 *	46.7	23,400 *	50.2	21,000 *	185	47.0	16,100 *	51.5	13,700 *	51.2	8,500 *	56.9	7,400 *
175	37.6	22,500 *	39.7	22,900 *	44.9	22,300 *	48.3	20,800 *	190	45.3	15,800 *	49.7	13,600 *	49.8	8,400 *	55.4	7,400 *
180	35.2	21,400 *	37.2	21,800 *	43.0	21,300 *	46.3	20,500 *	195	43.6	15,600 *	47.9	13,500 *	48.3	8,300 *	53.9	7,300 *
185	32.6	20,400 *	34.5	20,600 *	41.0	20,300 *	44.2	20,300 *	200	41.8	15,400 *	45.9	13,400 *	46.8	8,200 *	52.3	7,200 *
190			31.6	19,600 *	39.0	19,300 *	42.0	20,000 *	205	39.9	15,200 *	43.9	13,300 *	45.2	8,100 *	50.6	7,200 *
195					36.8	18,400 *	39.7	19,900 *	210	38.0	15,000 *	41.8	13,200 *	43.6	7,900 *	48.9	7,200 *
200					34.5	17,600 *	37.2	19,200 *	215	35.9	14,800 *	39.5	13,200 *	42.0	7,700 *	47.2	7,100 *
205							34.6	18,200 *	220	33.7	14,600 *	37.1	13,200 *	40.2	7,700 *	45.3	7,000 *
210							31.6	17,400 *	225	31.4	14,500 *	34.5	13,200 *	38.5	7,600 *	43.4	7,000 *
									230			31.6	13,200 *	36.6	7,400 *	41.3	7,000 *
									235					34.6	7,400 *	39.2	6,800 *
									240					32.5	7,200 *	36.8	6,700 *
									245					30.3	6,800 *	34.3	6,400 *
									250							32.0	6,100 *

# CK2500-II Jib Rated Loads in Pounds

15 Counterweights + 2 Low Weights

180' Boom				60 ft Jib				180' Boom				100 ft Jib						
Load Radius (ft.)	40 ft Jib		30°		10°		30°		Load Radius (ft.)	80 ft Jib		30°		10°		30°		
	10°	30°	10°	30°	10°	30°	10°	30°		10°	30°	10°	30°	10°	30°	10°	30°	
	Boom Angle (deg.)	Rated Load (lbs.)	Boom Angle (deg.)	Rated Load (lbs.)	Boom Angle (deg.)	Rated Load (lbs.)	Boom Angle (deg.)	Rated Load (lbs.)		Boom Angle (deg.)	Rated Load (lbs.)	Boom Angle (deg.)	Rated Load (lbs.)	Boom Angle (deg.)	Rated Load (lbs.)	Boom Angle (deg.)	Rated Load (lbs.)	Boom Angle (deg.)
50	79.6	58,200 *							65	79.5	26,400 *							
55	78.3	57,000 *							70	78.3	25,800 *							
60	77.0	55,700 *			79.2	45,700 *			75	77.2	25,200 *			78.3	14,400 *			
65	75.6	54,400 *	78.7	41,900 *	77.9	44,500 *			80	76.1	24,600 *			77.2	14,000 *			
70	74.3	53,200 *	77.4	41,300 *	76.7	43,400 *			85	74.9	24,100 *			76.2	13,600 *			
75	72.9	52,000 *	76.0	40,700 *	75.5	42,300 *	79.8	29,500 *	90	73.8	23,600 *	79.1	17,700 *	75.1	13,300 *			
80	71.6	50,800 *	74.6	39,900 *	74.2	41,300 *	78.5	29,500 *	95	72.6	23,100 *	77.9	17,400 *	74.1	13,000 *			
85	70.2	49,600 *	73.2	38,800 *	73.0	40,400 *	77.2	29,300 *	100	71.4	22,600 *	76.7	17,100 *	73.0	12,600 *			
90	68.8	48,600 *	71.7	37,800 *	71.7	39,500 *	75.9	29,100 *	105	70.3	22,100 *	75.5	16,800 *	71.9	12,300 *	78.2	9,400 *	
95	67.4	47,600 *	70.3	36,800 *	70.5	38,600 *	74.6	28,800 *	110	69.1	21,600 *	74.3	16,500 *	70.8	12,000 *	77.0	9,300 *	
100	65.9	46,600 *	68.8	35,900 *	69.2	37,800 *	73.3	28,300 *	115	67.9	21,200 *	73.0	16,300 *	69.7	11,600 *	75.9	9,100 *	
105	64.5	45,600 *	67.3	35,100 *	67.9	37,000 *	71.9	27,800 *	120	66.6	20,700 *	71.8	16,000 *	68.6	11,400 *	74.8	8,900 *	
110	63.0	44,600 *	65.8	34,300 *	66.6	36,300 *	70.6	27,100 *	125	65.4	20,300 *	70.5	15,800 *	67.5	11,100 *	73.6	8,800 *	
115	61.5	42,900 *	64.3	33,600 *	65.2	35,600 *	69.2	26,500 *	130	64.2	19,900 *	69.2	15,600 *	66.3	10,800 *	72.4	8,600 *	
120	60.0	40,700 *	62.8	32,900 *	63.9	34,900 *	67.8	25,800 *	135	62.9	19,500 *	67.9	15,400 *	65.2	10,600 *	71.3	8,500 *	
125	58.5	38,200 *	61.2	32,200 *	62.5	34,200 *	66.4	25,300 *	140	61.6	19,100 *	66.6	15,200 *	64.0	10,400 *	70.1	8,400 *	
130	56.9	36,000 *	59.6	31,600 *	61.1	33,000 *	65.0	24,700 *	145	60.3	18,800 *	65.2	15,000 *	62.9	10,200 *	68.8	8,300 *	
135	55.3	33,900 *	58.0	31,100 *	59.7	32,000 *	63.5	24,200 *	150	59.0	18,400 *	63.9	14,800 *	61.7	10,000 *	67.6	8,200 *	
140	53.7	32,000 *	56.3	30,600 *	58.3	30,900 *	62.0	23,700 *	155	57.7	18,100 *	62.5	14,600 *	60.5	9,800 *	66.4	8,100 *	
145	52.0	30,200 *	54.6	30,000 *	56.8	30,000 *	60.5	23,300 *	160	56.3	17,800 *	61.1	14,500 *	59.3	9,600 *	65.1	8,000 *	
150	50.3	28,600 *	52.8	29,200 *	55.3	29,100 *	59.0	22,900 *	165	55.0	17,500 *	59.6	14,300 *	58.0	9,400 *	63.8	7,900 *	
155	48.5	27,100 *	51.0	27,700 *	53.8	27,800 *	57.4	22,500 *	170	53.5	17,200 *	58.1	14,200 *	56.8	9,200 *	62.5	7,800 *	
160	46.7	25,600 *	49.2	26,200 *	52.3	26,500 *	55.8	22,100 *	175	52.1	16,900 *	56.6	14,000 *	55.5	9,100 *	61.2	7,700 *	
165	44.9	24,300 *	47.2	24,800 *	50.7	25,300 *	54.2	21,700 *	180	50.6	16,600 *	55.1	13,900 *	54.2	8,900 *	59.9	7,600 *	
170	42.9	23,000 *	45.2	23,500 *	49.0	23,900 *	52.5	21,400 *	185	49.1	16,400 *	53.5	13,800 *	52.9	8,700 *	58.5	7,500 *	
175	40.9	21,900 *	43.1	22,300 *	47.4	22,700 *	50.7	21,100 *	190	47.6	16,100 *	51.9	13,700 *	51.5	8,600 *	57.1	7,400 *	
180	38.8	20,800 *	41.0	21,100 *	45.6	21,600 *	48.9	20,800 *	195	46.0	15,900 *	50.2	13,600 *	50.2	8,400 *	55.6	7,300 *	
185	36.6	19,700 *	38.6	20,000 *	43.8	20,600 *	47.0	20,600 *	200	44.3	15,700 *	48.5	13,500 *	48.8	8,300 *	54.1	7,200 *	
190	34.3	18,800 *	36.2	19,000 *	42.0	19,600 *	45.1	20,300 *	205	42.7	15,500 *	46.7	13,400 *	47.3	8,200 *	52.6	7,200 *	
195	31.8	17,900 *	33.6	18,100 *	40.1	18,600 *	43.1	19,500 *	210	40.9	15,300 *	44.8	13,300 *	45.8	8,100 *	51.1	7,200 *	
200			30.7	17,100 *	38.1	17,700 *	40.9	18,600 *	215	39.1	15,100 *	42.8	13,300 *	44.3	7,900 *	49.5	7,100 *	
205					36.0	16,900 *	38.6	17,800 *	220	37.1	14,900 *	40.7	13,300 *	42.7	7,800 *	47.8	7,000 *	
210					33.7	16,300 *	36.2	16,900 *	225	35.1	14,600 *	38.5	13,200 *	41.1	7,700 *	46.0	7,000 *	
215					31.3	15,400 *	33.6	16,100 *	230	33.0	14,200 *	36.1	13,200 *	39.4	7,700 *	44.2	7,000 *	
220							30.7	15,200 *	235	30.7	13,700 *	33.6	13,200 *	37.7	7,500 *	42.3	7,000 *	
									240			30.7	13,200 *	35.8	7,400 *	40.3	6,900 *	
									245					33.9	7,400 *	38.2	6,700 *	
									250					31.9	7,200 *	35.9	6,500 *	
									255							33.4	6,400 *	
									260							31.0	6,200 *	

# CK2500-II Jib Rated Loads in Pounds

15 Counterweights + 2 Low Weights

190' Boom									190' Boom								
Load Radius (ft.)	40 ft Jib				60 ft Jib				Load Radius (ft.)	80 ft Jib				100 ft Jib			
	10°		30°		10°		30°			10°		30°		10°		30°	
	Boom Angle (deg.)	Rated Load (lbs.)	Boom Angle (deg.)	Rated Load (lbs.)	Boom Angle (deg.)	Rated Load (lbs.)	Boom Angle (deg.)	Rated Load (lbs.)		Boom Angle (deg.)	Rated Load (lbs.)	Boom Angle (deg.)	Rated Load (lbs.)	Boom Angle (deg.)	Rated Load (lbs.)	Boom Angle (deg.)	Rated Load (lbs.)
55	78.8	57,500 *							70	78.8	26,000 *						
60	77.6	56,200 *			79.6	46,200 *			75	77.7	25,400 *			78.7	14,500 *		
65	76.3	55,000 *	79.3	42,100 *	78.4	45,000 *			80	76.6	24,900 *			77.7	14,100 *		
70	75.0	53,700 *	77.9	41,500 *	77.3	43,900 *			85	75.5	24,300 *			76.7	13,600 *		
75	73.7	52,400 *	76.6	41,000 *	76.1	42,800 *			90	74.4	23,800 *	79.6	17,800 *	75.6	13,300 *		
80	72.4	51,300 *	75.3	40,300 *	74.9	41,800 *	79.0	29,500 *	95	73.3	23,300 *	78.4	17,500 *	74.6	13,000 *		
85	71.1	50,300 *	73.9	39,300 *	73.7	40,900 *	77.8	29,500 *	100	72.2	22,800 *	77.2	17,200 *	73.6	12,600 *		
90	69.7	49,300 *	72.6	38,300 *	72.5	40,000 *	76.5	29,300 *	105	71.0	22,400 *	76.1	16,900 *	72.5	12,300 *	78.6	9,400 *
95	68.4	48,300 *	71.2	37,400 *	71.3	39,100 *	75.3	28,900 *	110	69.9	21,900 *	74.9	16,600 *	71.5	12,100 *	77.5	9,300 *
100	67.0	47,300 *	69.8	36,500 *	70.0	38,300 *	74.0	28,600 *	115	68.7	21,500 *	73.7	16,400 *	70.4	11,800 *	76.4	9,100 *
105	65.7	46,200	68.4	35,600 *	68.8	37,500 *	72.7	28,200 *	120	67.6	21,000 *	72.5	16,200 *	69.4	11,500 *	75.3	8,900 *
110	64.3	45,100	67.0	34,900 *	67.6	36,800 *	71.5	27,500 *	125	66.4	20,600 *	71.3	15,900 *	68.3	11,200 *	74.2	8,800 *
115	62.9	42,700	65.6	34,100 *	66.3	36,100 *	70.1	26,900 *	130	65.2	20,200 *	70.1	15,700 *	67.2	11,000 *	73.1	8,600 *
120	61.5	40,000	64.1	33,400 *	65.0	35,400 *	68.8	26,300 *	135	64.0	19,800 *	68.8	15,500 *	66.1	10,700 *	72.0	8,500 *
125	60.0	37,500	62.7	32,800 *	63.7	34,800 *	67.5	25,700 *	140	62.8	19,400 *	67.6	15,300 *	65.0	10,500 *	70.8	8,400 *
130	58.5	35,200	61.2	32,200 *	62.4	34,000 *	66.1	25,100 *	145	61.6	19,100 *	66.3	15,100 *	63.9	10,300 *	69.7	8,300 *
135	57.0	33,200	59.6	31,600 *	61.1	33,000 *	64.8	24,600 *	150	60.3	18,700 *	65.0	14,900 *	62.8	10,100 *	68.5	8,200 *
140	55.5	31,300	58.1	31,100	59.7	31,800 *	63.4	24,100 *	155	59.1	18,400 *	63.7	14,800 *	61.6	9,900 *	67.3	8,100 *
145	53.9	29,500	56.5	30,400	58.3	30,400	61.9	23,700 *	160	57.8	18,100 *	62.4	14,600 *	60.5	9,700 *	66.1	8,000 *
150	52.4	27,800	54.8	28,700	56.9	28,900	60.5	23,200 *	165	56.5	17,800 *	61.0	14,500 *	59.3	9,500 *	64.9	7,900 *
155	50.7	26,300	53.2	27,200	55.5	27,400	59.0	22,800 *	170	55.2	17,500 *	59.6	14,300 *	58.1	9,400 *	63.7	7,800 *
160	49.1	24,900	51.5	25,600	54.1	25,900	57.5	22,500 *	175	53.8	17,200 *	58.2	14,200 *	56.9	9,100 *	62.4	7,700 *
165	47.4	23,600	49.7	24,200	52.6	24,400	56.0	22,100 *	180	52.4	16,900 *	56.8	14,000 *	55.7	9,000 *	61.2	7,700 *
170	45.6	22,300	47.9	22,800	51.1	23,200	54.4	21,800 *	185	51.0	16,700 *	55.3	13,900 *	54.4	8,800 *	59.9	7,600 *
175	43.8	21,100	46.0	21,600	49.5	22,100	52.8	21,500 *	190	49.6	16,400 *	53.8	13,800 *	53.2	8,600 *	58.5	7,500 *
180	41.9	20,000	44.1	20,500	47.9	21,000	51.2	21,200 *	195	48.1	16,200 *	52.3	13,700 *	51.9	8,500 *	57.2	7,400 *
185	39.9	19,000	42.0	19,500	46.3	20,000	49.5	20,800 *	200	46.6	16,000 *	50.7	13,600 *	50.5	8,400 *	55.8	7,300 *
190	37.9	18,000	39.9	18,300	44.6	19,000	47.7	20,000 *	205	45.0	15,700 *	49.0	13,500 *	49.2	8,300 *	54.4	7,200 *
195	35.7	17,100	37.6	17,300	42.8	18,000	45.9	19,000 *	210	43.4	15,500 *	47.3	13,400 *	47.8	8,100 *	52.9	7,200 *
200	33.5	16,200	35.2	16,400	41.0	17,100	43.9	18,000 *	215	41.8	15,300 *	45.5	13,400 *	46.4	8,100 *	51.5	7,200 *
205	31.0	15,400	32.7	15,600	39.2	16,200	42.0	17,100	220	40.0	14,900 *	43.7	13,300 *	45.0	8,000 *	49.9	7,200 *
210					37.2	15,400	39.9	16,300	225	38.2	14,200 *	41.8	13,300 *	43.5	7,800 *	48.3	7,200 *
215					35.1	14,700	37.6	15,400	230	36.3	13,600 *	39.7	13,200 *	41.9	7,700 *	46.7	7,000 *
220					32.9	14,000	35.3	14,600	235	34.3	12,900 *	37.6	13,200 *	40.3	7,700 *	45.0	7,000 *
225					30.6	13,300	32.7	13,900	240	32.2	12,400	35.2	12,800 *	38.7	7,500 *	43.2	6,900 *
									245	30.0	11,800	32.7	12,200 *	37.0	7,400 *	41.3	6,700 *
									250					35.2	7,400 *	39.4	6,500
									255					33.3	7,300 *	37.3	6,400
									260					31.2	7,100 *	35.0	6,300
									265							32.6	6,300



# CK2500-II Jib Rated Loads in Pounds

15 Counterweights + 2 Low Weights

200' Boom				60 ft Jib				200' Boom				100 ft Jib					
Load Radius (ft.)	40 ft Jib		30°		10°		30°		Load Radius (ft.)	80 ft Jib		30°		10°		30°	
	10°	30°	10°	30°	10°	30°	10°	30°		10°	30°	10°	30°	10°	30°		
	Boom Angle (deg.)	Rated Load (lbs.)	Boom Angle (deg.)	Rated Load (lbs.)	Boom Angle (deg.)	Rated Load (lbs.)	Boom Angle (deg.)	Rated Load (lbs.)		Boom Angle (deg.)	Rated Load (lbs.)	Boom Angle (deg.)	Rated Load (lbs.)	Boom Angle (deg.)	Rated Load (lbs.)	Boom Angle (deg.)	Rated Load (lbs.)
55	79.3	57,900 *							70	79.2	26,200 *						
60	78.1	56,700 *							75	78.1	25,600 *			79.1	14,700 *		
65	76.9	55,500 *			78.9	45,400 *			80	77.1	25,100 *			78.1	14,200 *		
70	75.6	54,400 *	78.5	41,700 *	77.8	44,300 *			85	76.0	24,600 *			77.1	13,900 *		
75	74.4	53,200 *	77.2	41,200 *	76.6	43,300 *			90	75.0	24,100 *			76.1	13,500 *		
80	73.1	51,900 *	75.9	40,600 *	75.5	42,300 *	79.4	29,500 *	95	73.9	23,600 *	78.8	17,500 *	75.1	13,200 *		
85	71.9	50,900 *	74.7	39,800 *	74.3	41,400 *	78.3	29,500 *	100	72.8	23,100 *	77.7	17,300 *	74.1	12,900 *		
90	70.6	49,900 *	73.4	38,800 *	73.2	40,500 *	77.1	29,400 *	105	71.7	22,700 *	76.6	17,000 *	73.1	12,500 *	79.0	9,400 *
95	69.4	48,900 *	72.1	37,900 *	72.0	39,600 *	75.9	29,100 *	110	70.6	22,200 *	75.5	16,800 *	72.1	12,200 *	78.0	9,300 *
100	68.1	47,900 *	70.8	37,000 *	70.9	38,800 *	74.7	28,700 *	115	69.5	21,800 *	74.4	16,500 *	71.1	12,000 *	76.9	9,100 *
105	66.8	46,900 *	69.4	36,200 *	69.7	38,000 *	73.5	28,400 *	120	68.4	21,300 *	73.2	16,300 *	70.1	11,700 *	75.9	8,900 *
110	65.4	44,900 *	68.1	35,400 *	68.5	37,300 *	72.2	27,900 *	125	67.3	20,900 *	72.1	16,100 *	69.1	11,400 *	74.8	8,800 *
115	64.1	42,300 *	66.7	34,600 *	67.3	36,600 *	71.0	27,300 *	130	66.2	20,500 *	70.9	15,800 *	68.0	11,200 *	73.7	8,800 *
120	62.8	39,600 *	65.3	34,000 *	66.1	35,900 *	69.7	26,700 *	135	65.0	20,100 *	69.7	15,600 *	67.0	10,900 *	72.7	8,600 *
125	61.4	37,100 *	64.0	33,300 *	64.8	35,300 *	68.5	26,100 *	140	63.9	19,800 *	68.5	15,400 *	65.9	10,700 *	71.6	8,500 *
130	60.0	34,900 *	62.5	32,700 *	63.6	34,700 *	67.2	25,500 *	145	62.7	19,400 *	67.3	15,300 *	64.8	10,500 *	70.5	8,300 *
135	58.6	32,800 *	61.1	32,100 *	62.3	33,500 *	65.9	25,000 *	150	61.5	19,100 *	66.1	15,100 *	63.8	10,300 *	69.3	8,300 *
140	57.1	30,900 *	59.6	31,200 *	61.0	31,900 *	64.6	24,500 *	155	60.3	18,700 *	64.8	14,900 *	62.7	10,000 *	68.2	8,200 *
145	55.7	29,100 *	58.1	29,900 *	59.7	30,100 *	63.2	24,100 *	160	59.1	18,400 *	63.6	14,700 *	61.6	9,800 *	67.1	8,000 *
150	54.2	27,500 *	56.6	28,300 *	58.4	28,400 *	61.9	23,600 *	165	57.9	18,100 *	62.3	14,600 *	60.4	9,600 *	65.9	7,900 *
155	52.7	25,900 *	55.1	26,700 *	57.0	26,900 *	60.5	23,200 *	170	56.6	17,800 *	61.0	14,400 *	59.3	9,500 *	64.7	7,900 *
160	51.1	24,500 *	53.5	25,300 *	55.7	25,400 *	59.1	22,800 *	175	55.3	17,500 *	59.6	14,300 *	58.2	9,300 *	63.5	7,700 *
165	49.6	23,200 *	51.9	23,900 *	54.3	24,100 *	57.6	22,500 *	180	54.0	17,200 *	58.3	14,200 *	57.0	9,200 *	62.3	7,700 *
170	47.9	21,900 *	50.2	22,600 *	52.9	22,800 *	56.2	22,100 *	185	52.7	17,000 *	56.9	14,000 *	55.8	9,000 *	61.1	7,600 *
175	46.3	20,700 *	48.5	21,400 *	51.4	21,600 *	54.7	21,800 *	190	51.4	16,700 *	55.5	13,900 *	54.6	8,800 *	59.9	7,500 *
180	44.6	19,600 *	46.7	20,200 *	49.9	20,500 *	53.1	21,400 *	195	50.0	16,500 *	54.1	13,800 *	53.4	8,700 *	58.6	7,400 *
185	42.8	18,600 *	44.9	19,100 *	48.4	19,500 *	51.6	20,800 *	200	48.6	16,300 *	52.6	13,700 *	52.2	8,600 *	57.3	7,300 *
190	40.9	17,600 *	43.0	18,100 *	46.9	18,500 *	49.9	19,700 *	205	47.1	16,000 *	51.1	13,600 *	50.9	8,500 *	56.0	7,200 *
195	39.0	16,700 *	41.0	17,100 *	45.3	17,600 *	48.3	18,700 *	210	45.7	15,800 *	49.5	13,500 *	49.6	8,300 *	54.6	7,200 *
200	37.0	15,800 *	38.9	16,200 *	43.6	16,700 *	46.5	17,700 *	215	44.1	15,300 *	47.9	13,400 *	48.3	8,200 *	53.2	7,200 *
205	34.9	15,000 *	36.7	15,300 *	41.9	15,800 *	44.7	16,800 *	220	42.5	14,600 *	46.2	13,400 *	46.9	8,000 *	51.8	7,200 *
210	32.7	14,200 *	34.4	14,500 *	40.1	15,000 *	42.9	16,000 *	225	40.9	13,900 *	44.5	13,300 *	45.5	7,900 *	50.4	7,200 *
215	30.3	13,500 *	31.9	13,700 *	38.3	14,300 *	40.9	15,100 *	230	39.2	13,200 *	42.7	13,300 *	44.1	7,900 *	48.8	7,100 *
220					36.4	13,600 *	38.9	14,300 *	235	37.4	12,600 *	40.8	13,000 *	42.7	7,700 *	47.3	7,000 *
225					34.4	12,900 *	36.7	13,600 *	240	35.6	12,000 *	38.8	12,400 *	41.1	7,700 *	45.7	7,000 *
230					32.2	12,200 *	34.4	12,900 *	245	33.6	11,400 *	36.6	11,800 *	39.6	7,600 *	44.0	7,000 *
235							31.9	12,200 *	250	31.6	10,800 *	34.4	11,100 *	38.0	7,400 *	42.3	7,000 *
									255			31.9	10,600 *	36.3	7,400 *	40.4	6,800 *
									260					34.5	7,300 *	38.5	6,600 *
									265					32.6	7,200 *	36.4	6,500 *
									270					30.7	7,100 *	34.2	6,300 *
									275							32.0	6,100 *

# CK2500-II Jib Rated Loads in Pounds

15 Counterweights + 2 Low Weights

210' Boom									210' Boom								
Load Radius (ft.)	40 ft Jib				60 ft Jib				Load Radius (ft.)	80 ft Jib				100 ft Jib			
	10°		30°		10°		30°			10°		30°		10°		30°	
	Boom Angle (deg.)	Rated Load (lbs.)	Boom Angle (deg.)	Rated Load (lbs.)	Boom Angle (deg.)	Rated Load (lbs.)	Boom Angle (deg.)	Rated Load (lbs.)		Boom Angle (deg.)	Rated Load (lbs.)	Boom Angle (deg.)	Rated Load (lbs.)	Boom Angle (deg.)	Rated Load (lbs.)	Boom Angle (deg.)	Rated Load (lbs.)
60	78.6	57,100 *							70	79.6	26,400 *						
65	77.4	56,000 *			79.3	45,800 *			75	78.5	25,900 *						
70	76.2	54,900 *	78.9	41,900 *	78.2	44,700 *			80	77.5	25,300 *		78.5	14,400 *			
75	75.0	53,800 *	77.7	41,400 *	77.1	43,700 *			85	76.5	24,800 *		77.5	14,100 *			
80	73.8	52,800 *	76.5	40,900 *	76.0	42,700 *	79.9	29,500 *	90	75.5	24,300 *		76.6	13,700 *			
85	72.6	51,900 *	75.3	40,400 *	74.9	41,800 *	78.7	29,500 *	95	74.5	23,800 *	79.3	17,600 *	75.6	13,400 *		
90	71.4	51,000 *	74.1	39,400 *	73.8	40,900 *	77.6	29,400 *	100	73.4	23,400 *	78.2	17,400 *	74.7	13,100 *		
95	70.2	50,000 *	72.8	38,400 *	72.7	40,100 *	76.5	29,300 *	105	72.4	22,900 *	77.1	17,100 *	73.7	12,700 *		
100	69.0	49,000 *	71.6	37,500 *	71.6	39,300 *	75.3	28,900 *	110	71.3	22,500 *	76.0	16,900 *	72.7	12,400 *	78.4	9,300 *
105	67.7	47,800 *	70.3	36,700 *	70.5	38,500 *	74.1	28,600 *	115	70.3	22,100 *	74.9	16,600 *	71.8	12,100 *	77.4	9,200 *
110	66.5	44,600 *	69.0	35,900 *	69.3	37,800 *	73.0	28,200 *	120	69.2	21,600 *	73.8	16,400 *	70.8	11,800 *	76.4	9,100 *
115	65.2	41,600 *	67.8	35,200 *	68.2	37,100 *	71.8	27,700 *	125	68.1	21,200 *	72.7	16,200 *	69.8	11,600 *	75.4	9,000 *
120	63.9	38,900 *	66.4	34,500 *	67.0	36,400 *	70.6	27,000 *	130	67.1	20,800 *	71.6	16,000 *	68.8	11,300 *	74.3	8,800 *
125	62.6	36,400 *	65.1	33,800 *	65.8	35,800 *	69.4	26,400 *	135	66.0	20,400 *	70.5	15,800 *	67.8	11,100 *	73.3	8,700 *
130	61.3	34,200 *	63.8	33,200 *	64.6	34,800 *	68.1	25,900 *	140	64.9	20,100 *	69.3	15,600 *	66.8	10,900 *	72.2	8,600 *
135	60.0	32,100 *	62.4	32,500 *	63.4	33,100 *	66.9	25,400 *	145	63.7	19,700 *	68.2	15,400 *	65.7	10,700 *	71.2	8,500 *
140	58.6	30,200 *	61.0	31,300 *	62.2	31,200 *	65.7	24,900 *	150	62.6	19,400 *	67.0	15,200 *	64.7	10,400 *	70.1	8,400 *
145	57.3	28,400 *	59.6	29,500 *	61.0	29,400 *	64.4	24,400 *	155	61.5	19,000 *	65.8	15,000 *	63.6	10,200 *	69.0	8,300 *
150	55.9	26,700 *	58.2	27,600 *	59.7	27,700 *	63.1	24,000 *	160	60.3	18,700 *	64.6	14,900 *	62.6	10,000 *	67.9	8,200 *
155	54.4	25,200 *	56.8	26,100 *	58.4	26,200 *	61.8	23,600 *	165	59.1	18,400 *	63.4	14,700 *	61.5	9,800 *	66.8	8,100 *
160	53.0	23,800 *	55.3	24,600 *	57.1	24,800 *	60.5	23,200 *	170	57.9	18,100 *	62.2	14,600 *	60.4	9,700 *	65.7	8,000 *
165	51.5	22,400 *	53.8	23,300 *	55.8	23,400 *	59.1	22,800 *	175	56.7	17,800 *	60.9	14,400 *	59.3	9,500 *	64.6	7,900 *
170	50.0	21,200 *	52.2	21,900 *	54.5	22,100 *	57.7	22,500 *	180	55.5	17,500 *	59.7	14,300 *	58.2	9,300 *	63.4	7,800 *
175	48.5	20,000 *	50.6	20,700 *	53.1	21,000 *	56.3	22,100 *	185	54.3	17,300 *	58.4	14,100 *	57.1	9,200 *	62.3	7,700 *
180	46.9	18,900 *	49.0	19,600 *	51.7	19,800 *	54.9	21,300 *	190	53.0	17,000 *	57.0	14,000 *	56.0	9,000 *	61.1	7,600 *
185	45.2	17,900 *	47.3	18,400 *	50.3	18,800 *	53.4	20,200 *	195	51.7	16,800 *	55.7	13,900 *	54.8	8,900 *	59.9	7,500 *
190	43.6	16,900 *	45.6	17,400 *	48.9	17,800 *	51.9	19,100 *	200	50.4	16,500 *	54.3	13,800 *	53.6	8,800 *	58.6	7,400 *
195	41.8	16,000 *	43.8	16,400 *	47.4	16,900 *	50.4	18,100 *	205	49.0	16,200 *	52.9	13,700 *	52.4	8,600 *	57.4	7,400 *
200	40.0	15,100 *	42.0	15,500 *	45.9	16,000 *	48.8	17,100 *	210	47.6	15,400 *	51.4	13,600 *	51.2	8,500 *	56.1	7,400 *
205	38.2	14,300 *	40.0	14,700 *	44.3	15,100 *	47.1	16,200 *	215	46.2	14,700 *	50.0	13,500 *	50.0	8,400 *	54.8	7,300 *
210	36.2	13,500 *	38.0	13,800 *	42.7	14,300 *	45.5	15,400 *	220	44.7	14,000 *	48.4	13,500 *	48.7	8,300 *	53.5	7,200 *
215	34.2	12,700 *	35.8	13,000 *	41.0	13,600 *	43.7	14,500 *	225	43.2	13,300 *	46.8	13,400 *	47.4	8,100 *	52.1	7,200 *
220	32.0	12,000 *	33.5	12,300 *	39.3	12,900 *	41.9	13,800 *	230	41.7	12,600 *	45.2	13,300 *	46.1	8,000 *	50.7	7,200 *
225			31.1	11,600 *	37.5	12,200 *	40.0	13,000 *	235	40.1	11,900 *	43.5	12,600 *	44.7	7,900 *	49.3	7,100 *
230					35.6	11,500 *	38.0	12,300 *	240	38.4	11,300 *	41.7	12,000 *	43.3	7,800 *	47.8	7,000 *
235					33.6	10,900 *	35.8	11,600 *	245	36.7	10,700 *	39.8	11,300 *	41.9	7,700 *	46.3	7,000 *
240					31.5	10,300 *	33.6	10,900 *	250	34.8	10,200 *	37.9	10,700 *	40.4	7,600 *	44.7	7,000 *
245							31.1	10,300 *	255	32.9	9,600 *	35.8	10,100 *	38.9	7,500 *	43.1	7,000 *
									260	30.9	9,100 *	33.5	9,500 *	37.3	7,400 *	41.4	6,900 *
									265			31.1	9,000 *	35.6	7,400 *	39.5	6,700 *
									270					33.9	7,400 *	37.6	6,500 *
									275					32.0	7,200 *	35.6	6,400 *
									280					30.1	7,100 *	33.4	6,300 *
									285						31.1	6,200 *	

# CK2500-II Jib Rated Loads in Pounds

15 Counterweights + 2 Low Weights

220' Boom				60 ft Jib				220' Boom				100 ft Jib								
Load Radius (ft.)	40 ft Jib		60 ft Jib		Load Radius (ft.)	80 ft Jib		100 ft Jib												
	10°	30°	10°	30°		10°	30°	10°	30°											
	Boom Angle (deg.)	Rated Load (lbs.)	Boom Angle (deg.)	Rated Load (lbs.)		Boom Angle (deg.)	Rated Load (lbs.)	Boom Angle (deg.)	Rated Load (lbs.)	Boom Angle (deg.)	Rated Load (lbs.)	Boom Angle (deg.)	Rated Load (lbs.)							
60	79.0	57,600 *								75	78.9	26,100 *								
65	77.9	56,400 *			79.7	46,200 *				80	78.0	25,500 *					78.9	14,400 *		
70	76.8	55,300 *	79.4	42,000 *	78.6	45,100 *				85	77.0	25,000 *					77.9	14,100 *		
75	75.6	54,300 *	78.2	41,500 *	77.6	44,100 *				90	76.0	24,500 *					77.0	13,700 *		
80	74.5	53,300 *	77.1	41,100 *	76.6	43,200 *				95	75.0	24,000 *	79.6	17,700 *			76.1	13,400 *		
85	73.3	52,400 *	75.9	40,600 *	75.5	42,200 *	79.2	29,500 *		100	74.0	23,600 *	78.6	17,400 *			75.2	13,100 *		
90	72.2	51,300 *	74.7	39,700 *	74.4	41,400 *	78.1	29,500 *		105	73.0	23,100 *	77.6	17,200 *			74.2	13,000 *		
95	71.0	50,100 *	73.5	38,900 *	73.4	40,500 *	77.0	29,400 *		110	72.0	22,700 *	76.5	17,000 *			73.3	12,600 *	78.8	9,200 *
100	69.8	48,800	72.3	38,000 *	72.3	39,800 *	75.9	29,100 *		115	71.0	22,300 *	75.5	16,700 *			72.4	12,300 *	77.8	9,200 *
105	68.6	47,100	71.1	37,100 *	71.2	39,000 *	74.8	28,700 *		120	70.0	21,900 *	74.4	16,500 *			71.4	12,000 *	76.8	9,100 *
110	67.4	44,000	69.9	36,400 *	70.1	38,300 *	73.6	28,400 *		125	68.9	21,500 *	73.4	16,300 *			70.4	11,800 *	75.9	9,000 *
115	66.2	41,000	68.7	35,600 *	69.0	37,600 *	72.5	27,900 *		130	67.9	21,100 *	72.3	16,100 *			69.5	11,500 *	74.9	8,800 *
120	65.0	38,300	67.4	34,900 *	67.9	36,900 *	71.3	27,400 *		135	66.8	20,700 *	71.2	15,900 *			68.5	11,300 *	73.9	8,700 *
125	63.8	35,800	66.2	34,300 *	66.8	36,200 *	70.2	26,800 *		140	65.8	20,300 *	70.1	15,700 *			67.5	11,000 *	72.9	8,600 *
130	62.5	33,600	64.9	33,700 *	65.6	34,500 *	69.0	26,300 *		145	64.7	20,000 *	69.0	15,500 *			66.5	10,700 *	71.8	8,500 *
135	61.3	31,500	63.6	32,300	64.5	32,600 *	67.8	25,700 *		150	63.6	19,600 *	67.9	15,300 *			65.5	10,600 *	70.8	8,400 *
140	60.0	29,600	62.3	30,700	63.3	30,600	66.7	25,300 *		155	62.5	19,300 *	66.8	15,100 *			64.5	10,400 *	69.8	8,300 *
145	58.7	27,800	61.0	28,800	62.1	28,800	65.4	24,800 *		160	61.4	19,000 *	65.6	15,000 *			63.5	10,200 *	68.7	8,200 *
150	57.4	26,100	59.6	27,200	60.9	27,100	64.2	24,300 *		165	60.3	18,700 *	64.5	14,800 *			62.5	10,000 *	67.7	8,100 *
155	56.0	24,600	58.3	25,600	59.7	25,600	63.0	23,900 *		170	59.2	18,400 *	63.3	14,700 *			61.5	9,800 *	66.6	8,000 *
160	54.7	23,200	56.9	24,100	58.5	24,200	61.7	23,600 *		175	58.0	18,100 *	62.1	14,500 *			60.4	9,600 *	65.5	7,900 *
165	53.3	21,800	55.5	22,600	57.2	22,800	60.4	23,200 *		180	56.8	17,800 *	60.9	14,400 *			59.4	9,500 *	64.4	7,800 *
170	51.9	20,600	54.0	21,300	56.0	21,500	59.1	22,800 *		185	55.7	17,600 *	59.7	14,300 *			58.3	9,400 *	63.3	7,700 *
175	50.4	19,400	52.5	20,100	54.7	20,400	57.8	21,900 *		190	54.5	17,300 *	58.4	14,100 *			57.2	9,200 *	62.2	7,600 *
180	48.9	18,300	51.0	19,000	53.4	19,200	56.5	20,800 *		195	53.2	17,100 *	57.2	14,000 *			56.1	9,100 *	61.0	7,500 *
185	47.4	17,300	49.5	17,900	52.0	18,200	55.1	19,700 *		200	52.0	16,500 *	55.9	13,900 *			55.0	8,900 *	59.9	7,400 *
190	45.9	16,300	47.9	16,800	50.7	17,200	53.7	18,600 *		205	50.7	15,700 *	54.5	13,800 *			53.8	8,700 *	58.7	7,400 *
195	44.3	15,400	46.3	15,900	49.3	16,300	52.2	17,600		210	49.4	14,900 *	53.2	13,700 *			52.7	8,600 *	57.5	7,400 *
200	42.7	14,500	44.6	15,000	47.9	15,400	50.8	16,600		215	48.1	14,100 *	51.8	13,600 *			51.5	8,500 *	56.3	7,300 *
205	41.0	13,600	42.8	14,000	46.4	14,500	49.3	15,700		220	46.7	13,400	50.4	13,500 *			50.3	8,400 *	55.0	7,200 *
210	39.2	12,800	41.0	13,200	44.9	13,700	47.7	14,900		225	45.3	12,700	48.9	13,300 *			49.1	8,300 *	53.7	7,200 *
215	37.4	12,100	39.1	12,500	43.4	13,000	46.1	14,000		230	43.9	12,000	47.4	12,900 *			47.9	8,100 *	52.4	7,200 *
220	35.5	11,400	37.1	11,700	41.8	12,200	44.4	13,300		235	42.4	11,400	45.8	12,200 *			46.6	8,100 *	51.1	7,000 *
225	33.5	10,700	35.0	10,900	40.2	11,600	42.7	12,500		240	40.9	10,800	44.2	11,500			45.3	8,000 *	49.7	7,000 *
230	31.3	10,100	32.8	10,300	38.5	10,900	40.9	11,800		245	39.3	10,200	42.5	10,800			44.0	7,900 *	48.3	7,000 *
235			30.4	9,600	36.7	10,300	39.1	11,100		250	37.7	9,600	40.8	10,200			42.6	7,800 *	46.9	7,000 *
240					34.9	9,700	37.1	10,400		255	35.9	9,100	39.0	9,600			41.2	7,700 *	45.4	7,000 *
245					33.0	9,100	35.0	9,800		260	34.2	8,500	37.0	9,000			39.7	7,600 *	43.8	7,000 *
250					30.9	8,600	32.8	9,200		265	32.3	8,000	35.0	8,500			38.2	7,400 *	42.2	7,000 *
255							30.4	8,600		270	30.3	7,500	32.8	7,900			36.6	7,400 *	40.5	7,000 *
										275			30.4	7,400			35.0	7,200 *	38.7	6,800 *
										280							33.3	6,900 *	36.8	6,600 *
										285							31.5	6,700 *	34.9	6,500
										290									32.7	6,300
										295									30.0	6,100

# CK2500-II Jib Rated Loads in Pounds

15 Counterweights + 2 Low Weights

230' Boom									230' Boom								
Load Radius (ft.)	40 ft Jib				60 ft Jib				Load Radius (ft.)	80 ft Jib				100 ft Jib			
	10°		30°		10°		30°			10°		30°		10°		30°	
	Boom Angle (deg.)	Rated Load (lbs.)	Boom Angle (deg.)	Rated Load (lbs.)	Boom Angle (deg.)	Rated Load (lbs.)	Boom Angle (deg.)	Rated Load (lbs.)		Boom Angle (deg.)	Rated Load (lbs.)	Boom Angle (deg.)	Rated Load (lbs.)	Boom Angle (deg.)	Rated Load (lbs.)	Boom Angle (deg.)	Rated Load (lbs.)
60	79.4	57,900 *							75	79.3	26,100 *						
65	78.3	56,800 *							80	78.4	25,600 *			79.2	14,600 *		
70	77.3	55,800 *			79.0	45,500 *			85	77.4	25,100 *			78.3	14,300 *		
75	76.2	54,800 *	78.7	41,700 *	78.0	44,500 *			90	76.5	24,600 *			77.4	14,000 *		
80	75.1	53,800 *	77.6	41,200 *	77.0	43,500 *			95	75.5	24,200 *			76.5	13,600 *		
85	74.0	52,900 *	76.5	40,800 *	76.0	42,600 *	79.5	29,500 *	100	74.5	23,700 *	79.0	17,500 *	75.6	13,300 *		
90	72.9	52,000 *	75.3	40,100 *	75.0	41,800 *	78.5	29,500 *	105	73.6	23,300 *	78.0	17,300 *	74.7	13,000 *		
95	71.7	51,100 *	74.2	39,300 *	74.0	41,000 *	77.4	29,400 *	110	72.6	22,900 *	77.0	17,000 *	73.8	12,600 *	79.2	9,400 *
100	70.6	49,500 *	73.0	38,400 *	72.9	40,200 *	76.4	29,200 *	115	71.6	22,500 *	76.0	16,800 *	72.9	12,400 *	78.2	9,300 *
105	69.5	46,000 *	71.9	37,600 *	71.9	39,400 *	75.3	28,900 *	120	70.6	22,100 *	75.0	16,600 *	72.0	12,200 *	77.3	9,100 *
110	68.3	43,200 *	70.7	36,800 *	70.8	38,700 *	74.2	28,600 *	125	69.6	21,700 *	74.0	16,400 *	71.1	11,800 *	76.3	9,000 *
115	67.2	40,300 *	69.6	36,100 *	69.8	38,000 *	73.2	28,200 *	130	68.6	21,300 *	72.9	16,200 *	70.1	11,700 *	75.4	8,800 *
120	66.0	37,600 *	68.4	35,400 *	68.7	37,200 *	72.1	27,700 *	135	67.6	20,900 *	71.9	16,000 *	69.2	11,400 *	74.4	8,800 *
125	64.8	35,100 *	67.2	34,700 *	67.6	36,200 *	70.9	27,200 *	140	66.6	20,500 *	70.8	15,800 *	68.3	11,100 *	73.4	8,700 *
130	63.6	32,900 *	66.0	33,900 *	66.5	34,000 *	69.8	26,600 *	145	65.6	20,200 *	69.8	15,600 *	67.3	11,000 *	72.5	8,500 *
135	62.4	30,800 *	64.7	32,000 *	65.4	31,900 *	68.7	26,100 *	150	64.5	19,900 *	68.7	15,400 *	66.3	10,800 *	71.5	8,400 *
140	61.2	28,900 *	63.5	30,000 *	64.3	29,900 *	67.6	25,600 *	155	63.5	19,500 *	67.6	15,300 *	65.4	10,600 *	70.5	8,300 *
145	60.0	27,100 *	62.2	28,200 *	63.2	28,100 *	66.4	25,100 *	160	62.4	19,200 *	66.5	15,100 *	64.4	10,400 *	69.5	8,200 *
150	58.7	25,400 *	60.9	26,500 *	62.0	26,500 *	65.2	24,700 *	165	61.4	18,900 *	65.4	14,900 *	63.4	10,100 *	68.4	8,100 *
155	57.4	23,900 *	59.7	25,000 *	60.9	24,900 *	64.1	24,300 *	170	60.3	18,600 *	64.3	14,800 *	62.4	9,900 *	67.4	8,100 *
160	56.2	22,500 *	58.3	23,400 *	59.7	23,500 *	62.9	23,900 *	175	59.2	18,300 *	63.2	14,600 *	61.4	9,700 *	66.4	8,000 *
165	54.9	21,100 *	57.0	22,000 *	58.5	22,100 *	61.7	23,400 *	180	58.1	18,000 *	62.0	14,500 *	60.4	9,600 *	65.3	7,900 *
170	53.5	19,900 *	55.6	20,600 *	57.3	20,800 *	60.4	22,600 *	185	57.0	17,800 *	60.9	14,400 *	59.4	9,400 *	64.3	7,800 *
175	52.2	18,700 *	54.3	19,400 *	56.1	19,700 *	59.2	21,400 *	190	55.8	17,500 *	59.7	14,200 *	58.3	9,200 *	63.2	7,700 *
180	50.8	17,600 *	52.8	18,200 *	54.8	18,500 *	57.9	20,200 *	195	54.6	16,800 *	58.5	14,100 *	57.3	9,200 *	62.1	7,700 *
185	49.4	16,500 *	51.4	17,100 *	53.6	17,500 *	56.6	19,100 *	200	53.5	15,900 *	57.3	14,000 *	56.2	9,100 *	61.0	7,600 *
190	47.9	15,600 *	49.9	16,100 *	52.3	16,500 *	55.3	18,000 *	205	52.2	15,100 *	56.0	13,900 *	55.1	8,900 *	59.9	7,500 *
195	46.5	14,600 *	48.4	15,100 *	51.0	15,600 *	53.9	17,000 *	210	51.0	14,200 *	54.7	13,800 *	54.0	8,800 *	58.7	7,400 *
200	44.9	13,800 *	46.9	14,200 *	49.7	14,700 *	52.5	16,000 *	215	49.8	13,500 *	53.4	13,700 *	52.9	8,600 *	57.6	7,400 *
205	43.4	12,900 *	45.3	13,400 *	48.3	13,800 *	51.1	15,100 *	220	48.5	12,700 *	52.1	13,500 *	51.8	8,500 *	56.4	7,300 *
210	41.8	12,100 *	43.6	12,500 *	46.9	13,000 *	49.7	14,300 *	225	47.2	12,000 *	50.7	13,100 *	50.6	8,400 *	55.2	7,200 *
215	40.1	11,400 *	41.9	11,800 *	45.5	12,300 *	48.2	13,400 *	230	45.8	11,300 *	49.3	12,300 *	49.5	8,300 *	54.0	7,200 *
220	38.4	10,700 *	40.1	11,100 *	44.1	11,500 *	46.7	12,700 *	235	44.4	10,700 *	47.9	11,600 *	48.3	8,200 *	52.7	7,200 *
225	36.6	10,000 *	38.3	10,300 *	42.6	10,800 *	45.1	11,900 *	240	43.0	10,100 *	46.4	10,900 *	47.1	8,100 *	51.4	7,200 *
230	34.8	9,300 *	36.3	9,600 *	41.0	10,200 *	43.5	11,200 *	245	41.6	9,500 *	44.9	10,300 *	45.8	8,000 *	50.1	7,200 *
235	32.8	8,700 *	34.3	8,900 *	39.4	9,600 *	41.8	10,500 *	250	40.1	8,900 *	43.3	9,600 *	44.5	7,900 *	48.8	7,100 *
240	30.7	8,100 *	32.1	8,400 *	37.8	9,000 *	40.1	9,800 *	255	38.5	8,400 *	41.6	9,000 *	43.2	7,700 *	47.4	7,000 *
245					36.0	8,400 *	38.2	9,200 *	260	36.9	7,900 *	39.9	8,500 *	41.9	7,500 *	46.0	7,000 *
250					34.2	7,800 *	36.3	8,600 *	265	35.3	7,400 *	38.1	7,900 *	40.5	7,400 *	44.5	7,000 *
255					32.3	7,300 *	34.3	8,000 *	270	33.5	6,900 *	36.2	7,400 *	39.0	7,200 *	43.0	7,000 *
260					30.3	6,800 *	32.1	7,400 *	275	31.7	6,400 *	34.2	6,800 *	37.5	6,800 *	41.4	7,000 *
									280			32.1	6,300 *	36.0	6,500 *	39.7	6,700 *
									285					34.4	6,200 *	37.9	6,400 *
									290					32.7	5,800 *	36.1	6,100 *
									295					30.9	5,500 *	34.1	5,900 *
									300							32.0	5,400 *

# CK2500-II Jib Rated Loads in Pounds

15 Counterweights + 2 Low Weights

240' Boom				60 ft Jib				240' Boom				100 ft Jib					
Load Radius (ft.)	40 ft Jib		30°		10°		30°		Load Radius (ft.)	80 ft Jib		30°		10°		30°	
	10°		30°		10°		30°			10°		30°		10°		30°	
	Boom Angle (deg.)	Rated Load (lbs.)	Boom Angle (deg.)	Rated Load (lbs.)	Boom Angle (deg.)	Rated Load (lbs.)	Boom Angle (deg.)	Rated Load (lbs.)		Boom Angle (deg.)	Rated Load (lbs.)	Boom Angle (deg.)	Rated Load (lbs.)	Boom Angle (deg.)	Rated Load (lbs.)	Boom Angle (deg.)	Rated Load (lbs.)
65	78.8	57,200 *							75	79.6	26,400 *						
70	77.7	56,200 *			79.4	45,800 *			80	78.7	25,900 *						
75	76.7	55,200 *	79.1	41,900 *	78.4	44,900 *			85	77.8	25,400 *		78.7	14,300 *			
80	75.6	54,200 *	78.0	41,400 *	77.5	43,900 *			90	76.9	24,900 *		77.8	14,000 *			
85	74.6	53,300 *	77.0	41,000 *	76.5	43,000 *			95	76.0	24,500 *		76.9	13,700 *			
90	73.5	52,400 *	75.9	40,500 *	75.5	42,200 *	78.9	29,500 *	100	75.0	24,000 *	79.4	17,600 *	76.1	13,500 *		
95	72.4	51,000 *	74.8	39,800 *	74.5	41,400 *	77.9	29,500 *	105	74.1	23,600 *	78.4	17,400 *	75.2	13,200 *		
100	71.3	48,600	73.7	38,900 *	73.5	40,600 *	76.9	29,300 *	110	73.2	23,200 *	77.4	17,100 *	74.3	12,800 *		
105	70.2	45,100	72.6	38,000 *	72.5	39,900 *	75.8	29,000 *	115	72.2	22,800 *	76.5	16,900 *	73.4	12,500 *	78.6	9,300 *
110	69.1	42,400	71.5	37,300 *	71.5	39,100 *	74.8	28,700 *	120	71.3	22,400 *	75.5	16,700 *	72.5	12,200 *	77.7	9,200 *
115	68.0	39,800	70.3	36,500 *	70.5	38,500 *	73.8	28,400 *	125	70.3	22,000 *	74.5	16,500 *	71.7	12,100 *	76.8	9,100 *
120	66.9	37,200	69.2	35,800 *	69.4	37,400 *	72.7	28,000 *	130	69.3	21,600 *	73.5	16,300 *	70.7	11,700 *	75.8	9,000 *
125	65.8	34,700	68.1	35,100	68.4	35,800 *	71.6	27,500 *	135	68.4	21,300 *	72.5	16,100 *	69.8	11,500 *	74.9	8,900 *
130	64.6	32,500	66.9	33,600	67.3	33,600 *	70.6	26,900 *	140	67.4	20,900 *	71.5	15,900 *	68.9	11,300 *	74.0	8,700 *
135	63.5	30,400	65.7	31,700	66.3	31,500	69.5	26,400 *	145	66.4	20,500 *	70.5	15,700 *	68.0	11,100 *	73.0	8,600 *
140	62.3	28,500	64.5	29,800	65.2	29,500	68.4	25,900 *	150	65.4	20,200 *	69.5	15,500 *	67.1	10,900 *	72.1	8,500 *
145	61.1	26,700	63.3	27,900	64.1	27,700	67.3	25,500 *	155	64.4	19,900 *	68.4	15,400 *	66.2	10,700 *	71.1	8,400 *
150	60.0	25,000	62.1	26,100	63.0	26,000	66.2	25,000 *	160	63.4	19,500 *	67.4	15,200 *	65.2	10,500 *	70.2	8,300 *
155	58.8	23,500	60.9	24,500	61.9	24,500	65.1	24,600 *	165	62.4	19,200 *	66.3	15,000 *	64.3	10,300 *	69.2	8,200 *
160	57.5	22,100	59.7	23,100	60.8	23,100	63.9	24,200 *	170	61.3	18,900 *	65.3	14,900 *	63.3	10,100 *	68.2	8,100 *
165	56.3	20,700	58.4	21,700	59.7	21,700	62.8	23,600 *	175	60.3	18,600 *	64.2	14,800 *	62.4	10,000 *	67.2	8,000 *
170	55.0	19,400	57.1	20,400	58.5	20,400	61.6	22,300 *	180	59.2	18,400 *	63.1	14,600 *	61.4	9,800 *	66.2	7,900 *
175	53.8	18,300	55.8	19,200	57.4	19,200	60.4	21,100 *	185	58.1	18,000 *	62.0	14,500 *	60.4	9,600 *	65.2	7,800 *
180	52.5	17,200	54.5	18,000	56.2	18,100	59.2	19,900 *	190	57.0	17,200 *	60.8	14,400 *	59.4	9,400 *	64.1	7,700 *
185	51.1	16,100	53.1	16,900	55.0	17,100	57.9	18,700	195	55.9	16,400 *	59.7	14,200 *	58.4	9,300 *	63.1	7,700 *
190	49.8	15,100	51.7	15,900	53.8	16,100	56.7	17,700	200	54.8	15,500 *	58.5	14,100 *	57.4	9,100 *	62.0	7,600 *
195	48.4	14,200	50.3	14,900	52.6	15,100	55.4	16,700	205	53.6	14,700 *	57.4	14,000 *	56.3	9,000 *	61.0	7,500 *
200	47.0	13,300	48.9	14,000	51.3	14,200	54.1	15,700	210	52.5	13,800	56.2	13,900 *	55.3	8,900 *	59.9	7,400 *
205	45.6	12,500	47.4	13,100	50.0	13,400	52.8	14,800	215	51.3	13,100	54.9	13,800 *	54.2	8,800 *	58.8	7,400 *
210	44.1	11,700	45.9	12,300	48.7	12,600	51.5	13,900	220	50.1	12,300	53.7	13,400 *	53.2	8,700 *	57.7	7,300 *
215	42.5	10,900	44.3	11,500	47.4	11,800	50.1	13,100	225	48.8	11,600	52.4	12,700 *	52.1	8,500 *	56.5	7,200 *
220	41.0	10,200	42.7	10,700	46.1	11,100	48.7	12,300	230	47.6	10,900	51.1	12,000	50.9	8,300 *	55.4	7,200 *
225	39.4	9,500	41.0	10,000	44.7	10,400	47.2	11,600	235	46.3	10,300	49.7	11,300	49.8	8,300 *	54.2	7,200 *
230	37.7	8,900	39.3	9,200	43.2	9,700	45.7	10,800	240	45.0	9,700	48.4	10,600	48.7	8,200 *	53.0	7,200 *
235	35.9	8,300	37.5	8,500	41.8	9,100	44.2	10,100	245	43.6	9,100	46.9	9,900	47.5	8,000 *	51.7	7,200 *
240	34.1	7,700	35.6	7,800	40.2	8,500	42.6	9,500	250	42.3	8,500	45.5	9,300	46.3	7,900 *	50.5	7,100 *
245	32.2	7,100	33.5	7,200	38.7	8,000	41.0	8,900	255	40.8	8,000	44.0	8,700	45.1	7,900 *	49.2	7,000 *
250	30.1	6,600	31.4	6,700	37.0	7,400	39.2	8,200	260	39.4	7,500	42.4	8,100	43.8	7,600 *	47.9	7,000 *
255					35.4	6,900	37.4	7,700	265	37.9	7,000	40.8	7,600	42.5	7,400 *	46.5	7,000 *
260					33.6	6,400	35.6	7,100	270	36.3	6,500	39.1	7,000	41.2	7,100 *	45.1	7,000 *
265					31.7	5,900			275	34.6	6,000	37.4	6,500	39.8	6,600 *	43.6	6,800 *
270							31.4	6,000	280	32.9	5,600	35.5	6,000	38.4	6,100 *	42.1	6,500 *
									285	31.1	5,100	33.5	5,500	36.9	5,600	40.6	6,200
									290			31.4	5,100	35.3	5,100	38.9	5,800
									295					33.7	4,600	37.2	5,500
									300					32.1	4,300	35.4	5,100
									305					30.3	4,000	33.4	4,700
									310							31.0	4,200



# CK2500-II Jib Rated Loads in Pounds

15 Counterweights + 2 Low Weights

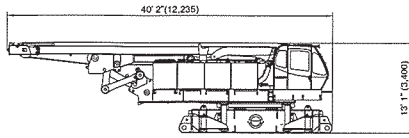
250' Boom				60 ft Jib				250' Boom				100 ft Jib					
Load Radius (ft.)	40 ft Jib				60 ft Jib				Load Radius (ft.)	80 ft Jib				100 ft Jib			
	10°		30°		10°		30°			10°		30°		10°		30°	
	Boom Angle (deg.)	Rated Load (lbs.)	Boom Angle (deg.)	Rated Load (lbs.)	Boom Angle (deg.)	Rated Load (lbs.)	Boom Angle (deg.)	Rated Load (lbs.)		Boom Angle (deg.)	Rated Load (lbs.)	Boom Angle (deg.)	Rated Load (lbs.)	Boom Angle (deg.)	Rated Load (lbs.)	Boom Angle (deg.)	Rated Load (lbs.)
65	79.2	57,600 *							80	79.1	26,100 *						
70	78.1	56,600 *			79.8	46,200 *			85	78.2	25,600 *			79.0	14,500 *		
75	77.1	55,600 *	79.5	42,000 *	78.8	45,200 *			90	77.3	25,100 *			78.2	14,200 *		
80	76.1	54,700 *	78.5	41,500 *	77.9	44,300 *			95	76.4	24,700 *			77.3	13,800 *		
85	75.1	53,800 *	77.4	41,100 *	76.9	43,400 *			100	75.5	24,200 *	79.7	17,700 *	76.5	13,500 *		
90	74.1	52,900 *	76.4	40,700 *	76.0	42,600 *	79.3	29,500 *	105	74.6	23,800 *	78.8	17,400 *	75.6	13,200 *		
95	73.0	50,300 *	75.3	40,100 *	75.0	41,800 *	78.3	29,400 *	110	73.7	23,400 *	77.9	17,200 *	74.8	13,000 *		
100	72.0	46,900	74.3	39,300 *	74.1	41,000 *	77.3	29,300 *	115	72.8	23,000 *	76.9	17,000 *	73.9	12,700 *	78.9	9,300 *
105	70.9	43,900	73.2	38,500 *	73.1	40,300 *	76.3	29,100 *	120	71.9	22,600 *	76.0	16,800 *	73.1	12,500 *	78.1	9,300 *
110	69.9	41,200	72.2	37,700 *	72.1	39,600 *	75.3	28,800 *	125	70.9	22,300 *	75.0	16,600 *	72.2	12,300 *	77.2	9,200 *
115	68.8	38,700	71.1	37,000 *	71.1	38,900 *	74.3	28,500 *	130	70.0	21,900 *	74.1	16,400 *	71.3	11,900 *	76.3	9,000 *
120	67.8	36,300	70.0	36,300 *	70.1	37,500 *	73.3	28,300 *	135	69.1	21,500 *	73.1	16,200 *	70.5	11,700 *	75.4	8,900 *
125	66.7	34,000	68.9	35,500	69.1	34,900 *	72.3	28,000 *	140	68.1	21,100 *	72.1	16,000 *	69.6	11,500 *	74.5	8,800 *
130	65.6	31,800	67.8	33,300	68.1	32,900 *	71.3	27,300 *	145	67.2	20,800 *	71.2	15,800 *	68.7	11,200 *	73.6	8,600 *
135	64.5	29,700	66.7	31,200	67.1	30,800	70.2	26,700 *	150	66.2	20,400 *	70.2	15,600 *	67.8	11,000 *	72.6	8,500 *
140	63.4	27,800	65.5	29,100	66.1	28,900	69.2	26,300 *	155	65.2	20,100 *	69.2	15,500 *	66.9	10,800 *	71.7	8,400 *
145	62.2	26,000	64.4	27,300	65.0	27,000	68.1	25,800 *	160	64.3	19,800 *	68.2	15,300 *	66.0	10,700 *	70.8	8,300 *
150	61.1	24,300	63.2	25,600	64.0	25,400	67.1	25,300 *	165	63.3	19,500 *	67.1	15,100 *	65.1	10,500 *	69.9	8,300 *
155	60.0	22,800	62.0	23,900	62.9	23,800	66.0	24,900 *	170	62.3	19,200 *	66.1	15,000 *	64.2	10,300 *	68.9	8,200 *
160	58.8	21,400	60.9	22,400	61.8	22,400	64.9	24,200 *	175	61.3	18,900 *	65.1	14,900 *	63.2	10,100 *	67.9	8,100 *
165	57.6	20,000	59.7	21,100	60.8	21,000	63.8	23,100 *	180	60.3	18,500 *	64.0	14,700 *	62.3	9,900 *	67.0	8,000 *
170	56.4	18,700	58.4	19,700	59.7	19,700	62.7	21,800 *	185	59.2	17,800 *	63.0	14,600 *	61.3	9,800 *	66.0	7,800 *
175	55.2	17,600	57.2	18,500	58.6	18,600	61.5	20,500 *	190	58.2	16,700 *	61.9	14,500 *	60.4	9,700 *	65.0	7,800 *
180	54.0	16,500	56.0	17,400	57.5	17,400	60.4	19,300 *	195	57.1	15,800 *	60.8	14,300 *	59.4	9,500 *	64.0	7,700 *
185	52.7	15,400	54.7	16,200	56.3	16,400	59.2	18,200	200	56.0	14,900 *	59.7	14,200 *	58.4	9,300 *	63.0	7,700 *
190	51.5	14,400	53.4	15,200	55.2	15,400	58.0	17,100	205	54.9	14,000	58.6	14,100 *	57.5	9,200 *	62.0	7,600 *
195	50.2	13,500	52.1	14,200	54.0	14,400	56.8	16,100	210	53.8	13,200	57.4	14,000 *	56.4	9,000 *	60.9	7,600 *
200	48.8	12,600	50.7	13,300	52.8	13,500	55.6	15,100	215	52.7	12,400	56.3	13,500 *	55.4	8,900 *	59.9	7,500 *
205	47.5	11,800	49.3	12,500	51.6	12,700	54.3	14,200	220	51.6	11,700	55.1	12,900 *	54.4	8,700 *	58.8	7,400 *
210	46.1	11,000	47.9	11,600	50.4	11,900	53.1	13,300	225	50.4	11,000	53.9	12,100	53.4	8,600 *	57.7	7,300 *
215	44.7	10,200	46.5	10,800	49.1	11,100	51.8	12,500	230	49.2	10,300	52.6	11,400	52.3	8,500 *	56.6	7,200 *
220	43.2	9,500	45.0	10,000	47.9	10,400	50.5	11,700	235	48.0	9,600	51.4	10,700	51.2	8,400 *	55.5	7,200 *
225	41.7	8,800	43.4	9,200	46.6	9,700	49.1	11,000	240	46.8	9,000	50.1	10,000	50.1	8,200 *	54.4	7,200 *
230	40.2	8,200	41.8	8,500	45.2	9,000	47.7	10,200	245	45.5	8,400	48.8	9,400	49.0	8,100 *	53.2	7,200 *
235	38.6	7,500	40.2	7,800	43.9	8,400	46.3	9,500	250	44.2	7,900	47.4	8,700	47.9	8,100 *	52.0	7,200 *
240	37.0	7,000	38.5	7,300	42.5	7,800	44.8	8,900	255	42.9	7,300	46.0	8,100	46.7	7,700 *	50.8	7,100 *
245	35.2	6,400	36.7	6,700	41.0	7,200	43.3	8,200	260	41.5	6,800	44.6	7,600	45.5	7,400 *	49.6	7,000 *
250	33.4	5,900	34.8	6,100	39.5	6,700	41.8	7,600	265	40.1	6,300	43.1	7,000	44.3	7,000 *	48.3	7,000 *
255	31.6	5,300	32.9	5,600	38.0	6,200	40.2	7,000	270	38.7	5,800	41.6	6,500	43.1	6,500 *	47.0	6,900 *
260			30.8	5,000	36.4	5,700	38.5	6,500	275	37.2	5,300	40.0	6,000	41.8	6,000 *	45.7	6,600 *
265					34.7	5,200	36.7	5,900	280	35.6	4,900	38.4	5,500	40.5	5,600	44.3	6,300 *
270					33.0	4,700	34.8	5,400	285	34.0	4,500	36.6	5,000	39.1	5,200	42.8	5,900 *
275					31.1	4,300	32.9	4,900	290	32.3	4,100	34.8	4,500	37.7	4,700	41.3	5,600
280							30.8	4,400	295	30.5	3,700	32.8	4,000	36.3	4,400	39.8	5,000
									300			30.8	3,600	34.7	3,900	38.2	4,700
									305					33.2	3,600	36.5	4,300
									310					31.5	3,400	34.7	3,800
									315							33.0	3,500

# CK2500-II Specification of Parts and Attachments

Dimensions: ft-in (mm) - Weight: lbs (kg)

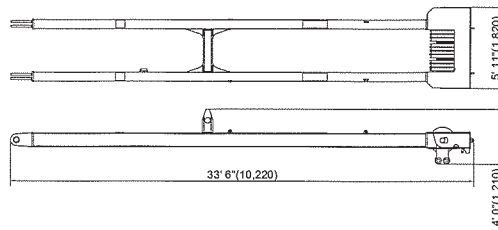
## Base Machine

Weight: 99,000 lbs (44,800 kg)\*



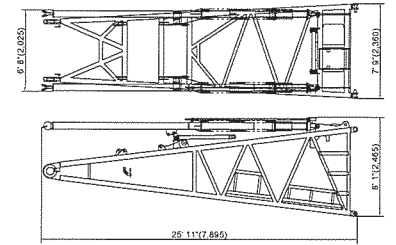
## Mast

Weight: 6,110 lbs (2,770 kg)



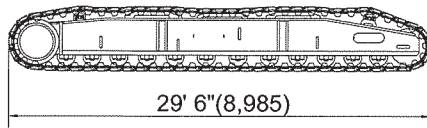
## Boom Base

Weight: 10,285 lbs (4,665 kg)



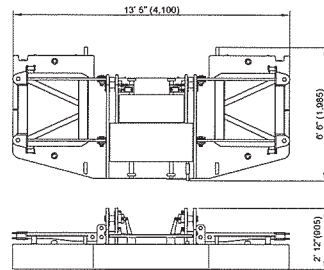
## Crawler

Weight: 51,400 lbs (23,330 kg)



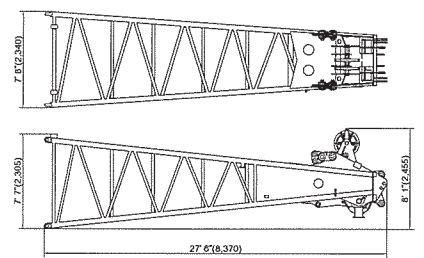
## Counterweight (A)

Weight: 24,343 lbs (11,040 kg)



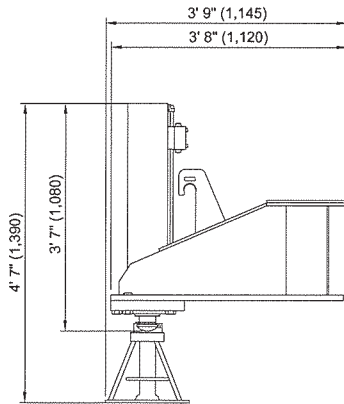
## Boom Tip

Weight: 8,080 lbs (3,665 kg)



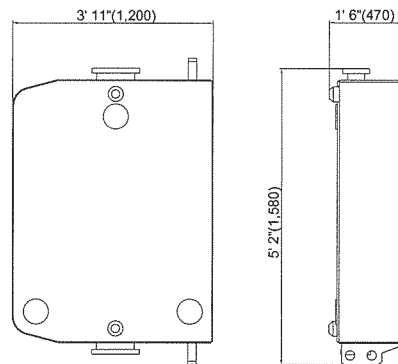
## Translifter

Weight: 870 lbs (395 kg)

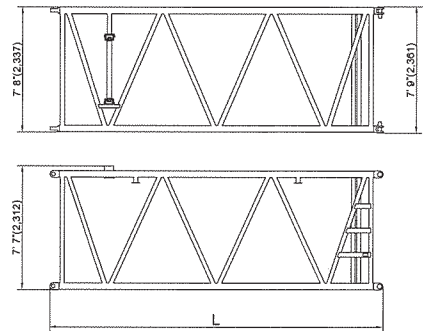


## Counterweight (B)

Weight: 12,400 lbs (5,625 kg)



## Insert Boom (10 ft, 20 ft, 40 ft)

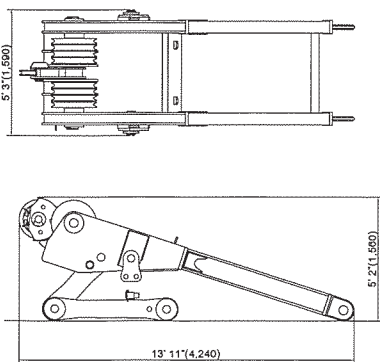


	L	Weight *
10ft (3.0m)	10'5" (3,175)	1,963lbs (890kg)
20ft (6.1m)	20'5" (6,223)	3,175lbs (1,440kg)
40ft (12.2m)	40'5" (12,319)	5,600lbs (2,540kg)

\*with guy cables

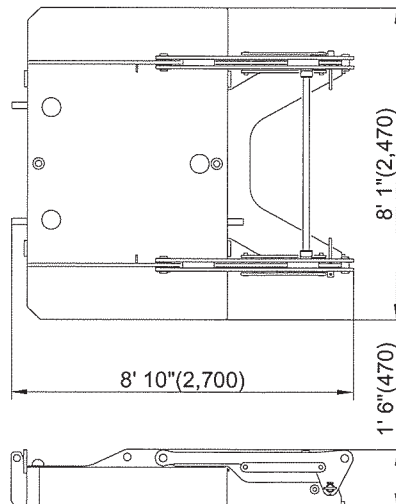
## Gantry

Weight: 6,660 lbs (3,020 kg)



## Carbody Weight (Base)

Weight: 14,000 lbs (6,350 kg)

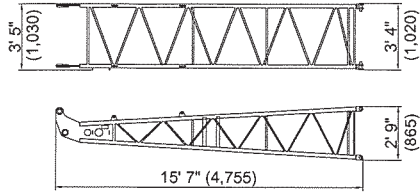


\* This weight includes the translifter and wire rope on the main, auxiliary and boom hoist drums but does not include 3rd winch, back stop or boom base.

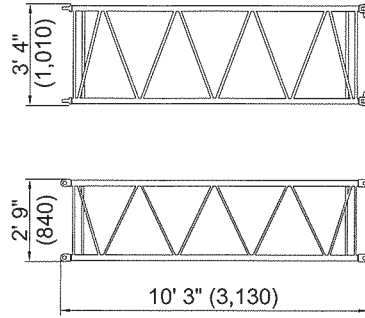
# CK2500-II Specification of Parts and Attachments

Dimensions: ft-in (mm) - Weight: lbs (kg)

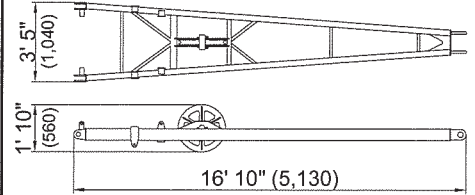
**Jib Base (For Crane)**  
Weight: 465 lbs (210 kg)



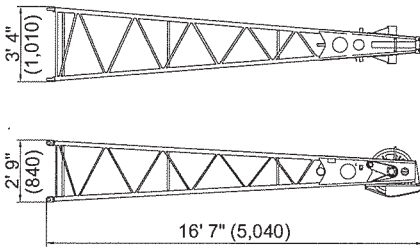
**10ft (3.0 m) Insert Jib**  
Weight: 245 lbs (110 kg)



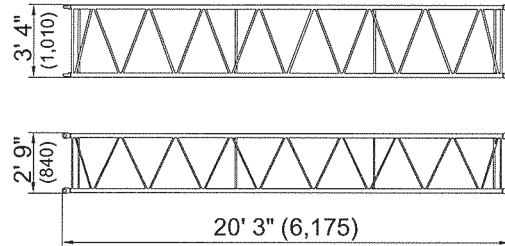
**Jib Strut**  
Weight: 660 lbs (300 kg)



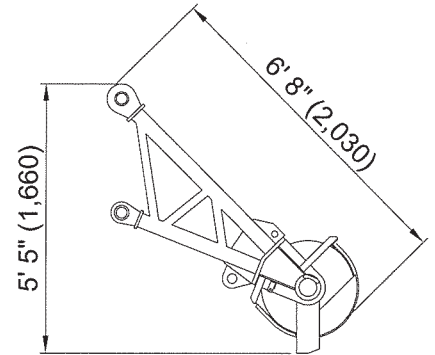
**Jib Tip (For Crane)**  
Weight: 700 lbs (315 kg)



**20ft (6.1 m) Insert Jib**  
Weight: 420 lbs (190 kg)



**Aux. Sheave**  
Weight: 610 lbs (290 kg)



# CK2500-II

*Note: Due to our policy of continual product improvement, all designs and specifications are subject to change without advance notice. Pictures inside this publication may show machines with optional equipment. This manual and the specifications herein were prepared for the market served by Kobelco Cranes North America Inc., including North America and Latin America. Kobelco product specifications in other world markets may differ.*

KOBELCO CRANES CO., LTD  
Oval Court Ohsaki Mark West Bldg., 17-1, Higashiotanda 2-chome,  
Shinagawa-ku, Tokyo, 141-8626 JAPAN  
Tel: +81 (0) 3-5789-2130 Fax: +81 (0) 3-5789-3372

KOBELCO CRANES NORTH AMERICA INC.  
10845 Train Court  
Houston Texas 77041 U.S.A  
Tel: 713-856-5755 Fax: 713-856-9072  
[www.kobelcocranesnorthamerica.com](http://www.kobelcocranesnorthamerica.com)