



SCC8200 Evolutionary Cab

SANY

*Quality equipment,
superior customer support,
global technologies...
that's what makes SANY
stand out. We are
dedicated to designing
and building the best
equipment in the business.*



Incredible Control/Less Fatigue

Spacious Interior. New roomy operator seat. Ergonomically positioned joysticks. The custom molded interior covers and integrated heater and A/C unit for maximum operator comfort.

Stylish Operator Cab Designed by Porsche

The cab maximizes glass space for optimal operator visibility. The working lights and light bar are standard and well positioned. Wide door for easy entry.

Central Command Console

Sany designed LMI is prominently displayed. It is user friendly, simple to set up and operate. The console also features large tv monitors.



SANY America, unveiled it's North American manufacturing and support facility in 2011. The plant will incorporate global technologies throughout engineering, manufacturing, finishing, testing in these support facilities. The latest SANY quality assurance procedures will be applied to every product manufactured here.



The Shapes of Things to Come. SANY...Investing in America.



SANY

100 World Dr. Suite 218, Peachtree City, GA 30269
Tel: 678-251-2869 Fax: 770-631-7731 • Email: sales@sanyamerica.com • www.sanyamerica.com

SCC8200-3a-11 © SANY 2011



SANY
AMERICA INC.



Crawler
Crane
SCC8200

Superior Design. Performance. Support.

SCC8200 Features



Operator Aids

Sany Crawler Cranes feature comprehensive operator aids including: Anti-Two Block (ATB), 3-Wrap Protection, Assembly/Working Mode Switch, Boom Limit, Winch Brake, Aircraft Warning Light, Anemometer, Level Indicator, Function Cut-out, Emergency Operating System, Optional Remote Monitoring System and Boom Walkways.



Advanced Electronics

Sany designs and manufactures the electrical and intelligence systems to control quality, efficiency and performance.

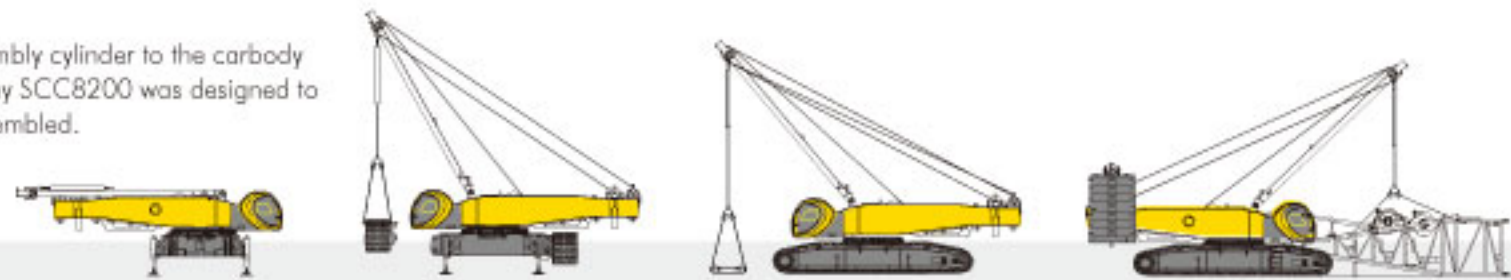


Advanced Manufacturing

Robotic welds ensure repeatable, high quality welds throughout chassis, superstructure and all boom sections.

Self Assembly

From the self assembly cylinder to the carbody outriggers, the Sany SCC8200 was designed to be quickly self assembled.



Specifications

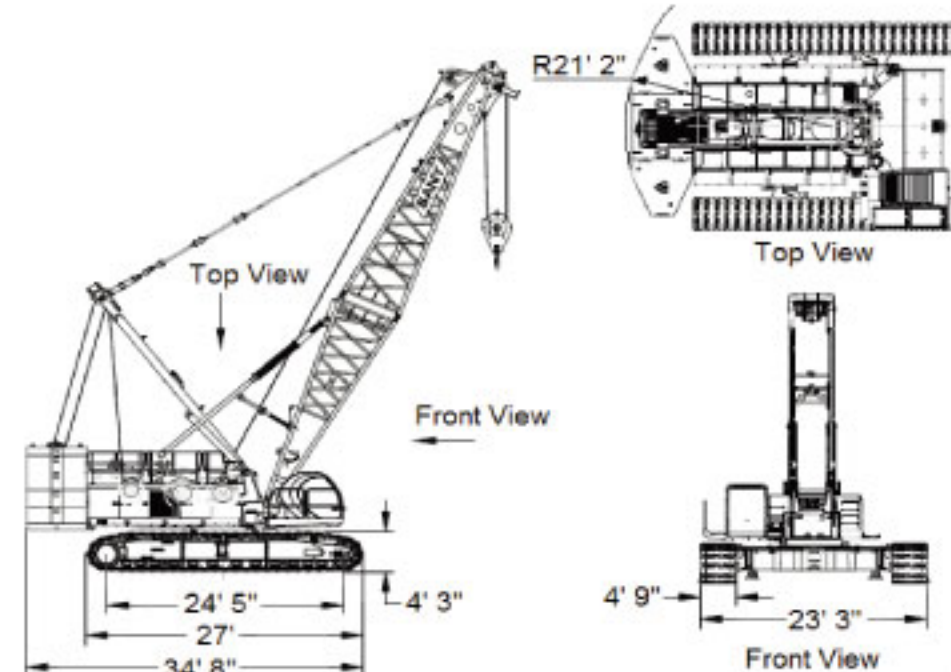


Comprehensive Testing

Third Party Verification to meet: Chinese National Standards European Union EN13000 United States ANSI B30.5

High Quality, Name Brand Components

Cummins engine coupled to Rexroth hydraulic components deliver high reliability and consistent performance.



Engine	Cummins QSL9 Tier 3 diesel engine (Tier4 - optional) Rated power: 325 hp @ 2100 rpm Rated output torque: 1050 lb-ft @ 1500rpm 217 gallon diesel fuel tank
Hydraulic System	Open loop circuit for main system and close loop circuit for swing system. Electric-over-hydraulic control components. Three 200 gallon oil return filters with multiple pressure alarm, filter plugging alarm, and counterbalance valve for each open circuit motor. 225 gallon hydraulic reservoir.
System Voltage	24 Volt (2 x 12V batteries)
Swing System	Swing is driven by a single motor with large displacement and planetary gear reducer, automatic load centering and 360° rotation. The maximum swing speed is 2 rev/min.
Counterweights	Carbody counterweight: 44,092 lb total (2 counterweight blocks, 2 trays) Superstructure counterweight: 141,096 lb. total (10 counterweight blocks, 1 tray)

Flexible Configurations

Boom Sections are used in multiple arrangements for flexibility. Five configurations are available using boom sections from main boom, fixed jib & luffing jib.



Boom	Configuration & Lengths	Maximum Tip Height
Main Boom (H)	• 75-238 ft Boom (Available in 13 boom lengths)	• 243 ft
Optional Boom	• Light Duty (HL): 282 ft • High Lift (HLJ): 328 ft H+L • Luffing Jib (LJ): 171 ft H & 167 ft LJ • Fixed Jib (FJ): 235 ft H & 102 ft FJ	• 288 ft • 420 ft • 341 ft • 336 ft



SCC8200 MAIN BOOM (H) LOAD CHART



Load Rad (ft)	Boom Length (ft)																			
	52	62	72	92	112	130	149	159	167											
	Capacity (lb)																			
16.4	440,920	359,350																		
17	425,600	357,100																		
18	400,100	348,900	311,070																	
19	374,600	340,700	310,200																	
20	353,700	332,300	307,300																	
22	332,000	314,700	301,500	286,500																
24	311,900	301,400	294,800	281,300																
26	293,300	292,100	287,500	276,200	240,000															
28	269,700	269,700	267,700	255,500	231,400	206,250														
30	246,000	246,000	246,000	234,000	221,100	199,900														
32	223,700	223,700	223,700	216,900	205,500	192,700	165,350													
34	204,300	204,300	204,300	201,400	191,600	182,700	164,000	161,100												
36	187,000	187,000	187,000	186,900	178,900	170,900	162,600	158,800	149,300											
38	173,400	173,400	173,400	173,400	168,300	161,100	153,900	150,400	144,100											
40	160,800	160,800	160,800	160,800	158,300	151,800	145,300	142,100	138,500											
42	150,100	150,100	150,100	150,100	149,400	143,600	137,600	134,700	132,000											
44	140,600	140,600	140,600	140,600	140,600	136,300	130,700	128,000	125,700											
46	131,600	131,600	131,600	131,600	131,600	129,300	124,200	121,700	119,500											
48	120,900	120,900	120,900	120,900	120,900	122,500	118,600	116,100	114,100											
50	112,900	113,400	113,400	113,400	113,400	116,400	113,200	110,900	109,000											
55	103,400	103,400	103,400	103,400	103,400	103,400	101,500	99,600	97,900											
60		90,100	90,100	90,100	90,100	90,100	91,300	89,900	88,600											
65			84,700	82,800	82,600	82,300	81,800	81,500	80,600											
70				75,100	74,900	74,900	74,000	73,800	73,300											
75					68,400	68,200	67,800	67,300	67,000	66,800										
80						62,300	62,300	62,000	61,500	61,100	60,900									
85							56,220	57,100	56,900	56,500	56,100	55,700								
90								52,900	52,700	52,200	51,900	51,500								
95									49,200	48,800	48,300	48,000	47,600							
100										45,800	45,300	44,800	44,500	44,100						
105											42,100	41,600	41,400	41,100						
110												38,900	38,900	38,400	38,400					
115													35,700	36,500	36,100	35,800				
120														34,200	33,800	33,500				
125															32,000	31,600	31,400			
130																30,200	29,800	29,500		
135																	28,000	27,700		
140																		25,900	26,100	
145																			24,500	
150																				23,200

