

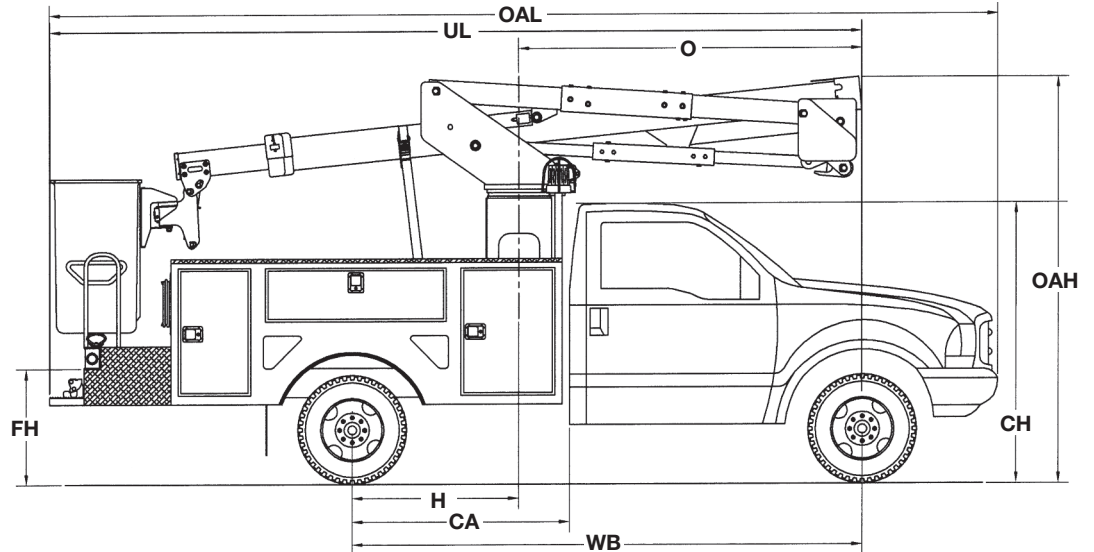


# TEREX®

## LT SERIES Hi-Ranger Telescopic Aerial Device

### AERIAL DEVICES

Terex® Hi-Ranger Aerial Devices are known throughout the industry. They come with a long history featuring quality and innovative design.



Measurements	LT36	LT38	LT40
	BC	BC	BC
Typical Frame Height (FH)	32 in. (81.3 cm)	32 in. (81.3 cm)	32 in. (81.3 cm)
Typical Cab Height (CH)	78 in. (198.1 cm)	78 in. (198.1 cm)	78 in. (198.1 cm)
Offset (O)	68 in. (172.7 cm)	95 in. (241 cm)	120 in. (304.8 cm)
Overall Height (OAH)	9' 9" (3.0 m)	9' 9" (3.0 m)	9' 9" (3.0 m)
Overall Length (OAL)	21' 6" (6.6 m)	19' 6" (5.9 m)	19' 6" (5.9 m)
Unit Length (UL)	16' 2" (4.9 m)	16' 2" (4.9 m)	16' 2" (4.9 m)
Center of Rotation (H)	46 in. (116.8 cm)	46 in. (116.8 cm)	46 in. (116.8 cm)
Cab to Axle (CA)	60 in. (152.4 cm)	60 in. (152.4 cm)	60 in. (152.4 cm)
Wheel Base (WB)	141 in. (358 cm)	141 in. (358 cm)	141 in. (358 cm)
Front Axle (GAWR)	6,000 lb. (2,722 kg)	6,500 lb. (2,951 kg)	7,000 lb. (3,175 kg)
Rear Axle (GAWR)	11,000 lb. (4,990 kg)	11,000 lb. (4,990 kg)	11,000 lb. (4,990 kg)
Gross Vehicle Weight Rating (GVWR)	15,000 lb. (6,803 kg)	15,000 lb. (6,803 kg)	15,000 lb. (6,803 kg)
Recommended Weight for Stability (With Torsion Bars)	14,000 lb. (6,350 kg)	13,500 lb. (6,124 kg)	13,000 lb. (5,897 kg)
Frame Section Modulus	9.75 in <sup>3</sup>	9.75 in <sup>3</sup>	9.75 in <sup>3</sup>
Frame Yield Strength	36,000 psi	36,000 psi	36,000 psi
Frame RBM	350,000 in-lbs	350,000 in-lbs	350,000 in-lbs



## TEREX®

500 Oakwood Drive  
PO BOX 1150  
Watertown, SD 57201-6150  
USA

Phone: (605) 882-4000  
Facsimile: (605) 882-1842  
www.terexutilities.com  
E-mail: utilities.sales@terex.com

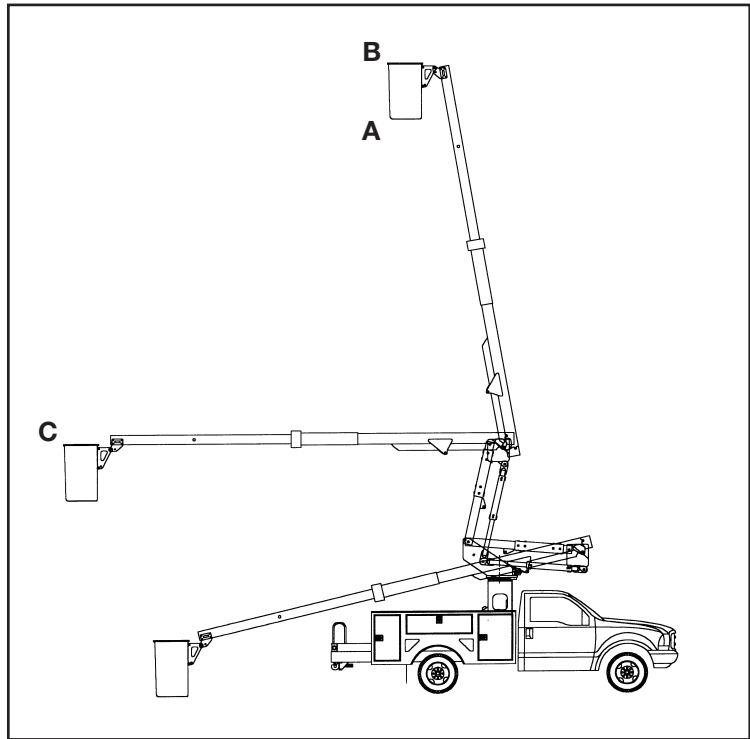
**Distributed By:**

# LT SERIES

## Hi-Ranger Telescopic Aerial Device

### STANDARD EQUIPMENT

- End Mounted 24 x 24 x 42" One-Person Platform
- Platform Capacity of up to 350 lbs. (159 Kg)
- Control-Plus "3D" Single Stick
- Safety Harness With Attached Lanyard
- Continuous Unrestricted Worm Gear Rotation
- Category "C" Rating Per ANSI A92.2
- Rectangular, Bi-Axial Epoxy Resin, Filament Wound Fiberglass Booms
- Full Pressure Controls on Side of Platform
- Individual Lever Lower Controls
- Platform Tilt Control At Lower/Upper Controls
- Hydraulic Platform Leveling
- Steel Main Boom with Fiberglass Insert
- Fiberglass Second Section Boom
- Fiberglass Lift Boom Insert
- Full Pressure, Open-Center Hydraulic System
- 20 Gallon Hydraulic Tank Integral With Pedestal
- Padded Boom Rest
- Truck Level Indicator
- Finish Painted



### CAPACITIES & DIMENSIONAL DATA (Based on a 40 Inch Frame Height)

	Bottom Of Platform Height (A)	Working Height (B)	Horizontal Reach (C)	Boom Travel	
				Lower Boom	Upper Boom
LT36	36.4 ft (11.1 m)	41.4 ft (12.6 m)	27.4 ft (8.3 m)	0 to 78°	-14 to 80°
LT38	38.6 ft (11.8 m)	43.6 ft (13.3 m)	27.0 ft (8.2 m)	0 to 78°	-14 to 80°
LT40	40.6 ft (12.4 m)	45.6 ft (13.8 m)	26.6 ft (8.1 m)	0 to 78°	-14 to 80°

### OPTIONAL EQUIPMENT

#### For Insulated & Non-Insulated

- Optional 400 lb. Platform Capacity
- Various Platform Covers
- Liners With or Without Steps
- Platform Rotator (Reduces Platform Capacity by 50 lbs.)
- Two Speed Throttle Control
- Hydraulic Tool Outlets
- Engine Stop/Start
- Auxiliary Power
- Auxiliary Let Down System

- 20 Gallon Remote Oil Reservoir
- Boom Overstow Protection
- Boom/Boom Stow Interlock
- Outrigger Sag Light
- Various Types of Outriggers
  - Moving Outrigger Alarm
  - Boom Interlock
- Truck Grounding Cable & Clamp
- Hybrid Enable
- HyPower™ Hybrid System by Terex®

#### For Non-Insulated Units

- Platform Tilt Control at Platform
- \*Steel Lower Lift Boom
- \*Aluminum Second Section Boom

#### For Insulated Units

- 24" x 30" x 42" Platform

Note: \*Items are standard with non-insulated units.

Effective Date: March, 2010. Product specifications and prices are subject to change without notice or obligation. The photographs and/or drawings in this document are for illustrative purposes only. Refer to the appropriate Operator's Manual for instructions on the proper use of this equipment. Failure to follow the appropriate Operator's Manual when using our equipment or to otherwise act irresponsibly may result in serious injury or death. The only warranty applicable to our equipment is the standard written warranty applicable to the particular product and sale and Terex makes no other warranty, express or implied. Products and services listed may be trademarks, service marks or trade-names of Terex Corporation and/or its subsidiaries in the USA and other countries. All rights are reserved. Terex® is a registered trademark of Terex Corporation in the USA and many other countries. Copyright 2010 Terex Corporation.