

- Material Handling Capacity Up To 2000 lbs.
- Platform Capacity Up To 700 lbs. (650 lbs. Plus Liner)
- Working Height Up to 80 ft.

MINIMUM INSTALLATIONS:

MODEL	MAIN JACK	AUXILIARY JACK	CT (in.)	GVW (lbs.)	TRAVEL LENGTH
RM60	X-Frame	X-Frame	138	35,000	30.75 ft.
RM65	X-Frame	X-Frame	150	48,000	33.2 ft.
RM70	X-Frame	X-Frame	*156	50,000	35.75 ft.
RM75	X-Frame	X-Frame	*156	50,000	38.25 ft.

**May require state permit because of front overhang*

SPECIFICATIONS

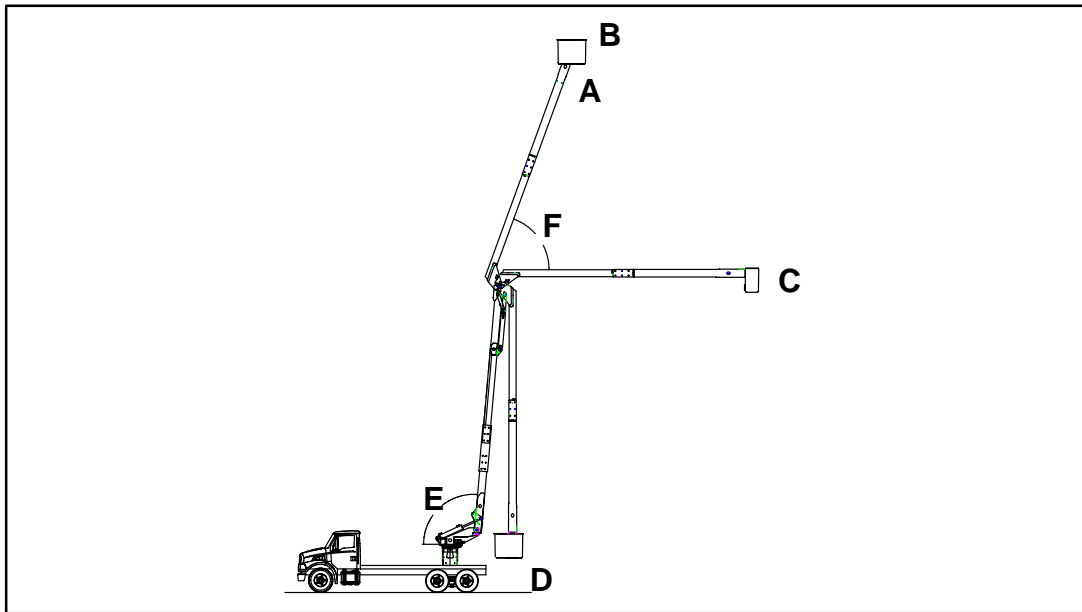
HI-RANGER RM SERIES

STANDARD EQUIPMENT

Hydraulic Platform Leveling System
 Hi-Ranger "3-D" One Hand Control
 Hydraulic Platform Tilt at Upper Controls
 Variable Volume Hydraulic System
 Continuous Unrestricted Rotation
 Dual Lower and Upper Boom Cylinders
 35 Gallon Hydraulic Oil Reservoir
 Category "C" Rating Per ANSI A92.2
 Material Handling Capacity up to 2000 lbs.
 Open Center Hydraulic System

OPTIONAL EQUIPMENT

13, 15, & 25 Ft. Hydraulic Lift Options
 Side Mounted Platform(s)
 Platform Liners, Floor Liners, & Platform Covers
 Auxiliary Tool Power at Platform & Below Rotation
 Auxiliary Let Down System & Auxiliary Power System
 Hydraulic Platform Rotators
 115° & 230° Hydraulic Articulating Jib
 Engine Stop/Start at Platform
 Mechanical or Hydraulic Jib Extension
 2,000 lb. Full drum capacity Jib Winch
 Single and Multiple Phase Lifters
 Category "A" Or "B" Rating Per ANSI A92.2



CAPACITIES & DIMENSIONAL DATA

MODEL	A	B	C	D	E	F
	Bottom of Platform	Working Height	Non-Overcenter Side Reach	Platform Lip To Ground	Lower Articulation	Upper Articulation
RM60	60.7 ft (18.5 m)	65.7 ft (20.0 m)	38.8 ft (11.8 m)	4.0 ft (1.2 m)	95°	70°
RM65	65.5 ft (20.0 m)	70.5 ft (21.5 m)	41.1 ft (12.5 m)	4.0 ft (1.2 m)	95°	70°
RM70	70.3 ft (21.4 m)	75.3 ft (23.0 m)	43.8 ft (13.4 m)	4.0 ft (1.2 m)	95°	70°
RM75	75.1 ft (22.9 m)	80.1 ft (24.4 m)	46.5 ft (14.2 m)	4.0 ft (1.2 m)	95°	70°

*All Dimensions based on 40" frame height & 6" subframe.

Photographs represented in this literature are for informational purposes only and may depict optional or additional equipment not offered as standard. Always refer to the appropriate operator's manual for safe and proper operation of Terex equipment. Terex-Telelect reserves the right to make design changes as necessary.

For More Information Contact:

TEREX TELELECT

600 Oakwood Road
 PO Box 1150
 Watertown, SD 57201
 USA

TELELECT
 WWW.TELELECT.COM
 PRINTED IN THE USA

Telephone: (605) 882-4000
 Facsimile: (605) 882-1842