

SE SERIE

english

français

español



cranes without compromise

FASSI

CRANES WITHOUT COMPROMISE

Made to answer all drywall delivery specialist's need

The F250SE, F280SE, F330SE, F360SE and F390SE offer you the widest and most functional range of wallboard cranes on the market – They are the result of over 25 years of experience of day-to-day contact with the specialized users in this competitive sector.

You deliver - so do we. Vertical to 84 feet. Horizontal to 79 feet.

Full lift capabilities out to 54 feet; and we are easily installed for 360° stability @ 118% of rated capacity.

While our cranes' profile is often imitated - our lifting power, hydraulic reach, low tare weight, delivery ability, smoothness of operation, and reliability - are never, ever duplicated therefore making our range of cranes unbeatable.

Reach beyond your expectations and buy the original, from the innovative leader of wallboard crane equipment specialists.

Conçue pour répondre aux besoins, et aux exigences des spécialistes en livraison de plaques de plâtre

Les modèles F250SE, F280SE, F330SE, F360SE et F390SE vous offrent la gamme la plus vaste et la plus fonctionnelle de grues à panneau mural présentes sur le marché – Ils représentent le résultat de plus de 25 ans d'expérience de contact quotidien avec les utilisateurs professionnels de ce secteur compétitif.

Vous livrez – nous aussi. À la verticale jusqu'à 25,60 mètres. À l'horizontale jusqu'à 24,09 mètres.

Capacités totales du monte-charge jusqu'à 16,46 mètres ; et nous sommes facilement installées et stables à 360° @ 118% de puissance nominale.

Alors que le profil de nos grues est souvent imité – notre puissance de levage, la portée hydraulique, le faible poids à vide, la capacité de livraison, le bon fonctionnement de l'opération et la fiabilité – n'ont jamais été reproduits, ce qui rend notre gamme de grues incomparable.

Allez au-delà de vos attentes, achetez l'originale, construite par l'innovateur leader parmi les spécialistes de l'équipement pour grues à panneau mural.

La respuesta a las necesidades de los distribuidores de muros de mampostería

Las F250SE, F280SE, F330SE, F360SE y F390SE les ofrecen la gama más extensa y funcional en comercio de grúas para elevar tablonés – Son el resultado de más de 25 años de experiencia en contacto continuo, día a día, con los usuarios especializados en este sector muy competitivo.

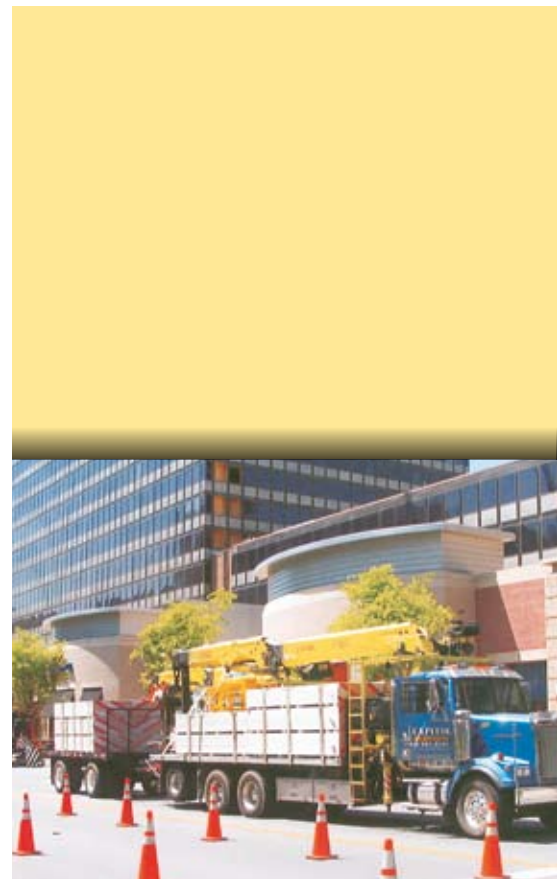
Ustedes entregan - y lo mismo hacemos nosotros. Vertical hasta 25,6 metros. Horizontal hasta 24,09 metros.

Capacidad de levantamiento hasta 16,46 metros; con una estabilidad a 360° con el 118% de la capacidad nominal.

Mientras que a menudo se imita el perfil de nuestras grúas - nuestra potencia de levantamiento, nuestro alcance hidráulico, nuestro bajo peso de tara, nuestras posibilidades de entrega, nuestra fluidez de funcionamiento y nuestra fiabilidad - nunca han conseguido copiarlos, por esto nuestra gama de grúas es imbatible.

Supere sus expectativas y compre las originales, del líder innovador especialista en grúas para el levantamiento de tablonés.

°Optional - En option - Opcional



A Tireless Muscle of Steel

*Des muscles d'acier qui ne
connaissent pas la fatigue*

*Músculos de acero que
desconocen el cansancio*





4

12

7



2



5



6B



9A



9B



10



1. Stability is of the highest priority! So all Fassi SE Cranes are standard with Extra-wide crane outriggers.
2. Superior protection of hose trays via an exclusive heavy duty metal tray system and high resistance nylon e-chain for fork and rotator functions.
3. Fork and rotator pipe hose connection is protected by a heavy-duty high impact ABS tree guard supported by stout steel skeleton and steel boom tip guard.
4. Multi-Power Extension System ("MPES") for exceptionally smooth and fast extension/retraction speed of the telescope booms by means of equally powerful independent rams linked in parallel connection and activated by a single control.
5. Indisputably powerful rack & pinion rotation system with self centering guide shoe that assures constant connection between rack and column to reduce wear of the teeth while at the same time providing unparalleled control of the rotation on uneven ground.
- 6A. Industry's largest platform providing the operator plenty of room to get on and off the seat.
- 6B. Unencumbered operators view from the seat for safe viewing the load and fork. In-line Boom design allows accurate placement of load by providing operator a clear view of boom tip.
7. Heavy duty, high impact thick ABS guard around the top-seat controls valves, supported by a stout steel skeleton to help prevent tree damage.
8. Industry's first and most reliable Rod Shield for the second lift ram to protect from clip damage.
- 9A. Large rust free, baffled, thick walled nylon hydraulic tank for long life and sized to assist in oil cooling.
- 9B. Filtration provided before and after crane.
10. Our oversized hydraulic oil cooler is the industry's largest and greatly reduces leaks, failures, and down-time. This allows you high performance and endurance for those big jobs.
11. Industry's first monitored automatic greasing system for the crane base.
12. Oversized operators seat with a reclining back for those 6 plus storey deliveries.



1. La stabilité est la priorité principale! Par conséquent, toutes les grues Fassi SE sont équipées d'origine avec des stabilisateurs extra larges.
2. Protection maximum des tuyaux par un système exclusif de goulottes en métal de grande résistance et chaîne en nylon hautement résistante pour les fonctions lève-palette et rotator.
3. La connexion des tuyaux du lève-palette et du rotator est protégée par un carter ABS en acier de grande résistance.
4. Système télescopique «MPES» (Multi-Power Extension System) pour garantir une grande vitesse en douceur durant la sortie et la rentrée des bras télescopiques par des vérins indépendants et également puissants connectés en parallèle et activés par une seule commande.
5. Système de rotation à crémaillère et pignon indiscutablement puissant avec patins de guidage auto-centrés qui assurent un accouplement constant entre la crémaillère et la colonne pour réduire l'usure des dents et consentir en même temps un contrôle sans précédent de la rotation des bras sur terrain irrégulier.
- 6A. La plus grande plate-forme du secteur qui garantit à l'opérateur énormément de place pour monter et descendre du siège.
- 6B. La perspective de l'opérateur sur le siège est libre pour contrôler en pleine sécurité la charge et le lève-palette. Le design du bras en ligne permet un placement scrupuleux de la charge en laissant à l'opérateur une visibilité claire jusqu'en bout de bras.
7. Carter ABS de grande épaisseur comme protection des distributeurs de commande du siège, supporté par une structure en acier résistant pour empêcher un éventuel endommagement causé par les branches.
8. La première et la plus fiable protection du secteur pour la tige du deuxième vérin de levage pour éviter des coupures.
- 9A. Grand réservoir hydraulique en nylon, exempt de tout problème de rouille, pour une longue durée et dimensionné pour aider au refroidissement de l'huile.
- 9B. Filtrage avant et après la grue.
10. Notre refroidisseur d'huile surdimensionné est le plus grand du secteur et limite considérablement les pertes, le mal fonctionnement et les temps d'arrêt. Ceci vous garantit une haute performance et une grande résistance dans les gros travaux.
11. Le premier système de graissage automatique de l'embase de la grue avec monitoring.
12. Siège opérateur surdimensionné avec un dossier rabattable pour livraisons dans les édifices à plus de 6 étages.

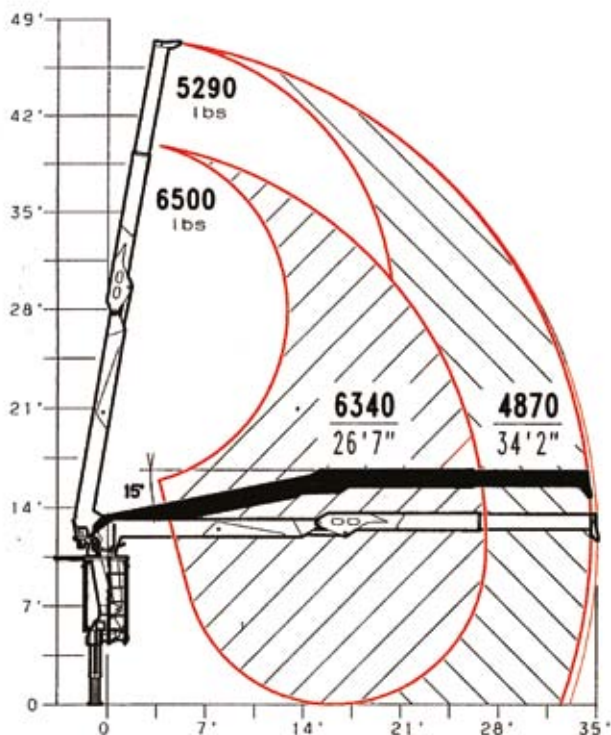


1. ¡La estabilidad tiene la más alta prioridad! Por esto todas las Grúas Fassi de la gama SE llevan de serie largueros estabilizadores Extra-Largos.
2. Una aumentada protección de portamangueras mediante un sistema exclusivo de metal para tareas pesadas y cadena-e de nilón de alta resistencia para las funciones de elemento giratorio y horquilla.
3. El empalme de manguera para elemento giratorio y horquilla está protegido por un elemento de ABS de alta resistencia al impacto, sostenido por una estructura robusta de acero y con protección de acero para la extremidad de pluma.
4. El Multi-Power Extension System ("MPES") ofrece una velocidad excepcionalmente fluida y rápida de extensión/retracción de las plumas telescópicas, mediante émbolos independientes igualmente potentes conectados en paralelo y activados por un único control.
5. Sistema indiscutiblemente potente de cremallera y piñón de rotación con guía autocentrante que asegura una conexión constante entre cremallera y columna para reducir el desgaste de los dientes, proporcionando al mismo tiempo un inigualable control de la rotación también sobre superficies desiguales.
- 6A. La plataforma más grande del sector para proporcionar al operario amplio espacio para subir y bajar del asiento.
- 6B. Vista despejada para el operario desde el asiento para ver con toda seguridad la carga y la horquilla. Diseño alineado de la pluma que permite un desplazamiento preciso de la carga proporcionando al operario una vista clara del extremo de pluma.
7. Protección robusta de ABS resistente a los impactos alrededor de las válvulas de control por encima del asiento, sostenida por una estructura robusta de acero que contribuye en precaver daños a la pluma.
8. La primera y más fiable Protección de Vástago para proteger al segundo émbolo de elevación contra los daños de golpes.
- 9A. Depósito hidráulico grande, resistente a la corrosión, protegido, con revestimiento grueso de nilón para una larga duración y de tamaño calculado para contribuir en enfriar el aceite.
- 9B. Filtración prevista antes y después de la elevación.
10. Nuestro refrigerador del aceite hidráulico sobredimensionado es el más grande del sector y reduce mucho las pérdidas, los fallos y los tiempos de inactividad obligada de la máquina. Esto les asegura altas prestaciones y resistencia para los trabajos pesados.
11. El primer sistema, en este sector, de engrase monitorizado automáticamente para la base de la grúa.
12. Asiento sobredimensionado para el operador, con respaldo reclinable, para estas grúas que pueden elevar hasta una altura de más de 6 plantas.

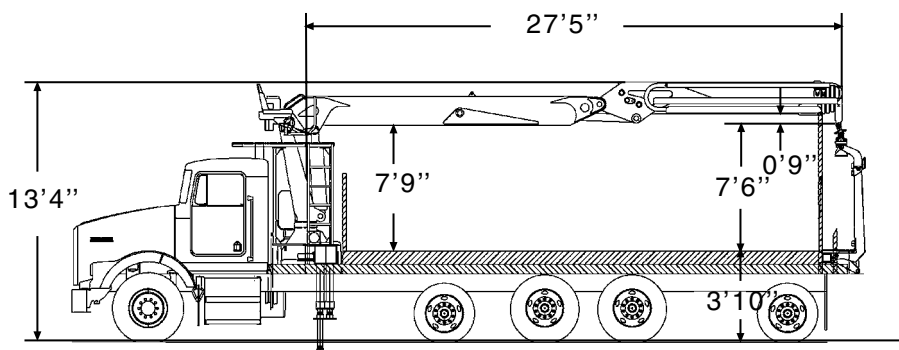
° Optional - En option - Opción



F250SE.21



THE WEIGHT OF WALLBOARD FORK AND ROTATOR MUST BE DEDUCTED FROM LIFTING CHART



INSTALLATION

MINIMUM TRUCK SPECS Tandem axle frame RBM 3.0 million (per rail), W.B. 270" CA 192", FA 16,000 lbs, RA 34,000 lbs, GVW 50,000 lbs

RECOMMENDED TRUCK SPECS Tandem axle frame RBM 3.0 million (per rail), W.B. 270" CA192", FA 20,000 lbs, RA 44,000 lbs, GVW 64,000 lbs

| TECHNICAL DATA | F250SE.21 |
|--------------------------|------------------|
| Lifting capacity | lbs.ft 168485 |
| Standard reach | ft 34'2" |
| Hydraulic extension | ft 7'5" |
| Rotation arc | 420° |
| Rotation torque | lbs.ft 34439 |
| Working pressure | psi 3840 |
| Pump capacity | gal/min 13+13 |
| Oil tank capacity | gals 66 |
| Outriggers spread crane | ft 22'6" |
| Supplementary outriggers | - |
| Degree of boom elevator | 80° |

| TECHNICAL DATA | F250SE.21 |
|---------------------------|------------|
| 360°Rotation | sec. 35 |
| Extension time | sec. 12 |
| Retraction time | sec. 7 |
| Inner boom elevation time | sec. 22 |
| Outer boom elevation time | sec. 29 |

AVAILABLE CONTROL SYSTEMS

Dual side cross over ground control with radio remote

Top seat control

Top seat control with optional radio remote

"FULL LIFT" DELIVERY F250SE.21

| | |
|----------|--------|
| Height** | 46'11" |
| Radius | 34'2" |

* Wallboard Lift Weight 12" x 4' x 1/2" Standard Board Full Lift: 34 sheets: 2,872 lbs with Hydraulic Fork & Rotator - 3,842 lbs

**Measured at Boom Tip

RECOMMENDATION

Easily Attainable 360° Stability @ 118% of Rated Capacity when Properly installed by your Local Authorized Fassi Dealer.

TECHNICAL DATA F250SE.22

| | |
|--------------------------|------------------|
| Lifting capacity | lbs.ft 158596 |
| Standard reach | ft 41'8" |
| Hydraulic extension | ft 15'1" |
| Rotation arc | 420° |
| Rotation torque | lbs.ft 34439 |
| Working pressure | psi 3840 |
| Pump capacity | gal/min 13+13 |
| Oil tank capacity | gals 66 |
| Outriggers spread crane | ft 22'6" |
| Supplementary outriggers | - |
| Degree of boom elevator | 80° |

TECHNICAL DATA F250SE.22

| | |
|---------------------------|------------|
| 360°Rotation | sec. 35 |
| Extension time | sec. 21 |
| Retraction time | sec. 13 |
| Inner boom elevation time | sec. 22 |
| Outer boom elevation time | sec. 29 |

AVAILABLE CONTROL SYSTEMS

- Dual side cross over ground control with radio remote
- Top seat control
- Top seat control with optional radio remote

"FULL LIFT" DELIVERY F250SE.22

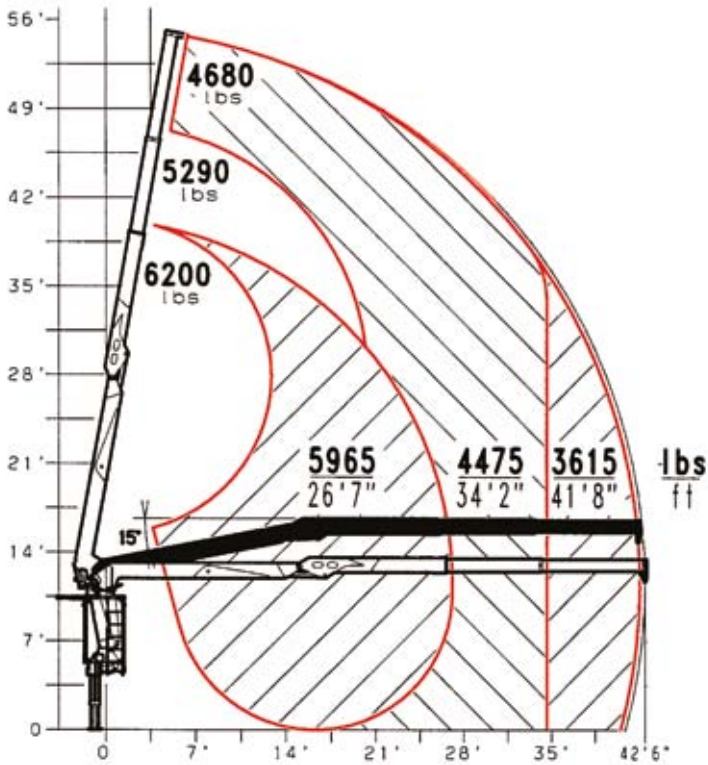
| | |
|----------|-------|
| Height** | 54'4" |
| Radius | 39'2" |

* Wallboard Lift Weight 12' x 4' x 1/2" Standard Board Full Lift: 34 sheets: 2,872 lbs with Hydraulic Fork & Rotator - 3,842 lbs
 **Measured at Boom Tip

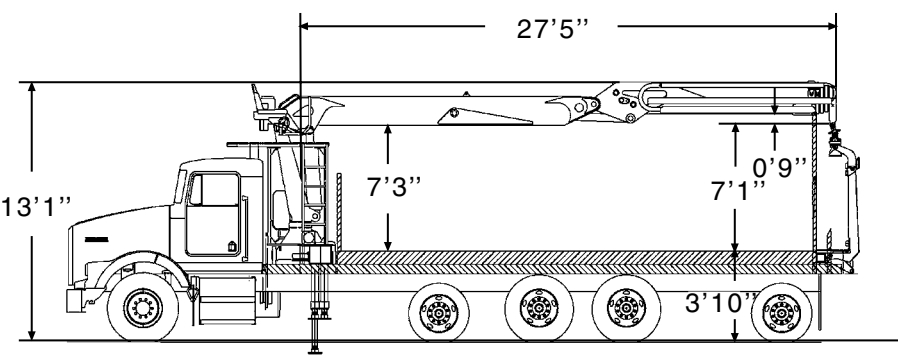
RECOMMENDATION

Easily Attainable 360° Stability @ 118% of Rated Capacity when Properly Installed by your Local Authorized Fassi Dealer.

F250SE.22



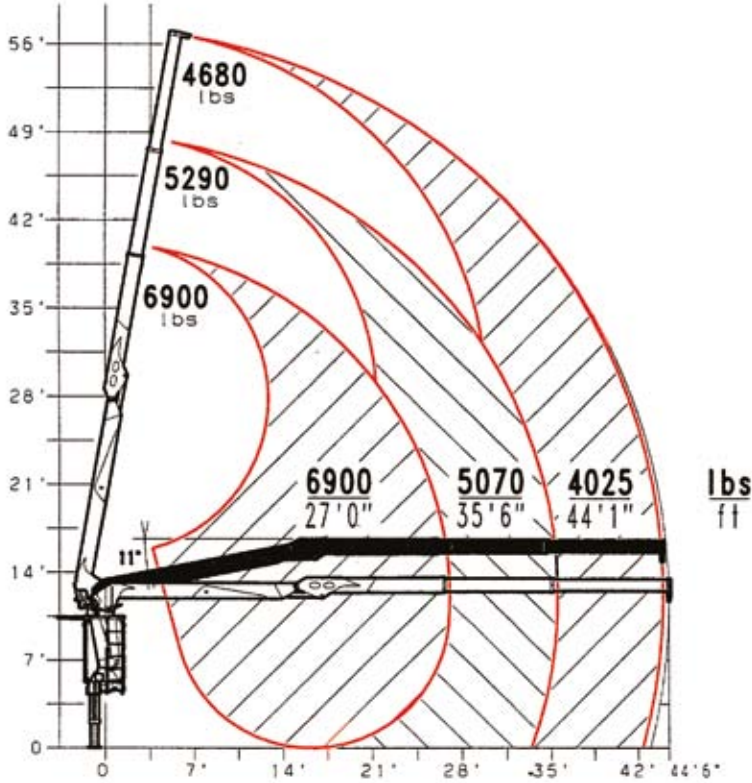
THE WEIGHT OF WALLBOARD FORK AND ROTATOR MUST BE DEDUCTED FROM LIFTING CHART



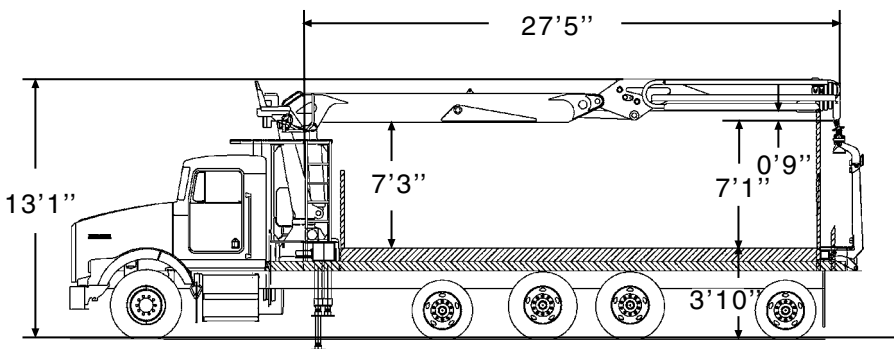
INSTALLATION

MINIMUM TRUCK SPECS Tandem axle frame RBM 3.0 million (per rail), W.B. 270" CA 192", FA 16,000 lbs, RA 34,000 lbs, GVW 50,000 lbs
RECOMMENDED TRUCK SPECS Tandem axle frame RBM 3.0 million (per rail), W.B. 270" CA192", FA 20,000 lbs, RA 44,000 lbs, GVW 64,000 lbs

F280SE.22



THE WEIGHT OF WALLBOARD FORK AND ROTATOR MUST BE DEDUCTED FROM LIFTING CHART



INSTALLATION

MINIMUM TRUCK SPECS Tandem axle frame RBM 3.0 million (per rail), W.B. 270" CA 192", FA 16,000 lbs, RA 34,000 lbs, GVW 50,000 lbs
RECOMMENDED TRUCK SPECS Tandem axle frame RBM 3.0 million (per rail), W.B. 270" CA192", FA 20,000 lbs, RA 44,000 lbs, GVW 64,000 lbs

| TECHNICAL DATA | F280SE.22 |
|--------------------------|------------------|
| Lifting capacity | lbs.ft 186732 |
| Standard reach | ft 44'1" |
| Hydraulic extension | ft 17'1" |
| Rotation arc | 420° |
| Rotation torque | lbs.ft 34439 |
| Working pressure | psi 3769 |
| Pump capacity | gal/min 16+16 |
| Oil tank capacity | gals 66 |
| Outriggers spread crane | ft 22'6" |
| Supplementary outriggers | - |
| Degree of boom elevator | 85° |

| TECHNICAL DATA | F280SE.22 |
|---------------------------|------------|
| 360°Rotation | sec. 35 |
| Extension time | sec. 21 |
| Retraction time | sec. 13 |
| Inner boom elevation time | sec. 22 |
| Outer boom elevation time | sec. 30 |

| AVAILABLE CONTROL SYSTEMS |
|---|
| Dual side cross over ground control with radio remote |
| Top seat control |
| Top seat control with optional radio remote |

| "FULL LIFT" DELIVERY | F280SE.22 |
|--|-----------|
| Height** | 56'10" |
| Radius | 44'1" |
| * Wallboard Lift Weight 12' x 4' x 1/2" Standard Board Full Lift: 34 sheets: 2,872 lbs with Hydraulic Fork & Rotator - 3,842 lbs **Measured at Boom Tip | |

| RECOMMENDATION |
|--|
| Easily Attainable 360° Stability @ 118% of Rated Capacity when Properly installed by your Local Authorized Fassi Dealer. |

TECHNICAL DATA F280SE.23

| | |
|--------------------------|------------------|
| Lifting capacity | lbs.ft 175400 |
| Standard reach | ft 50'3" |
| Hydraulic extension | ft 23'0" |
| Rotation arc | 420° |
| Rotation torque | lbs.ft 34439 |
| Working pressure | psi 3624 |
| Pump capacity | gal/min 16+16 |
| Oil tank capacity | gals 66 |
| Outriggers spread crane | ft 22'6" |
| Supplementary outriggers | - |
| Degree of boom elevator | 85° |

TECHNICAL DATA F280SE.23

| | |
|---------------------------|------------|
| 360°Rotation | sec. 35 |
| Extension time | sec. 28 |
| Retraction time | sec. 22 |
| Inner boom elevation time | sec. 22 |
| Outer boom elevation time | sec. 30 |

AVAILABLE CONTROL SYSTEMS

- Dual side cross over ground control with radio remote
- Top seat control
- Top seat control with optional radio remote

"FULL LIFT" DELIVERY F280SE.23

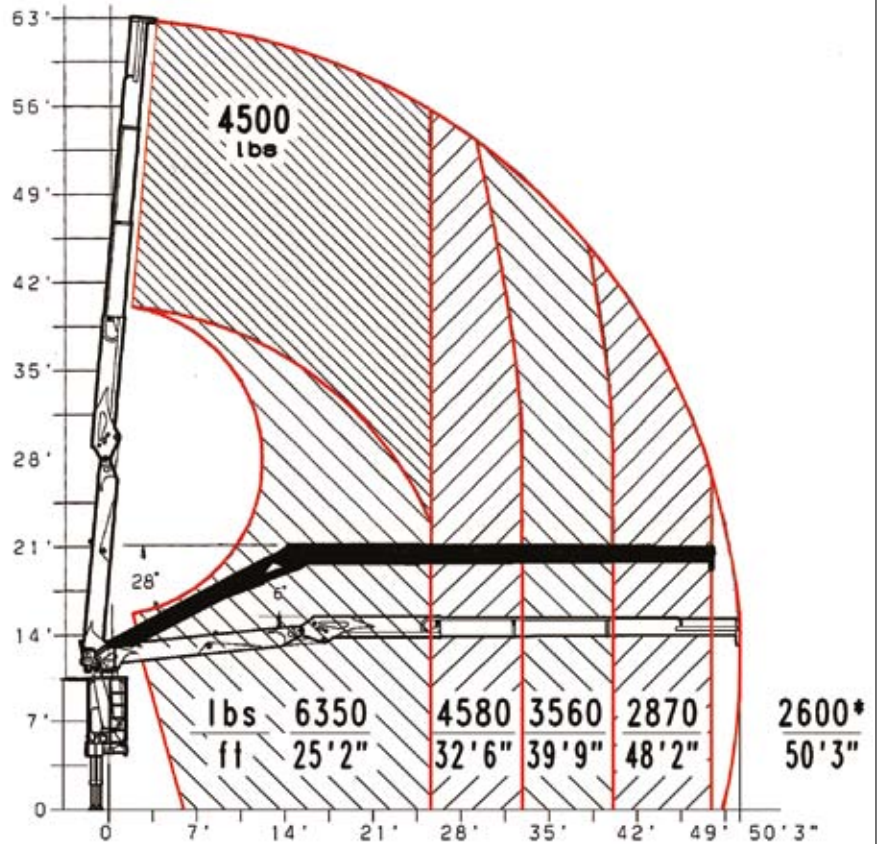
| | |
|----------|--------|
| Height** | 62'6" |
| Radius | 36'10" |

* Wallboard Lift Weight 12' x 4' x 1/2" Standard Board Full Lift: 34 sheets: 2,872 lbs with Hydraulic Fork & Rotator - 3,842 lbs
 **Measured at Boom Tip

RECOMMENDATION

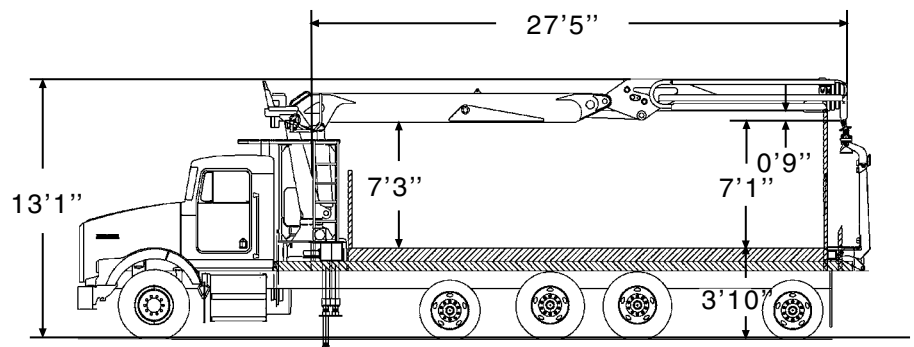
Easily Attainable 360° Stability @ 118% of Rated Capacity when Properly Installed by your Local Authorized Fassi Dealer.

F280SE.23



*PLACING CAPACITY ONLY

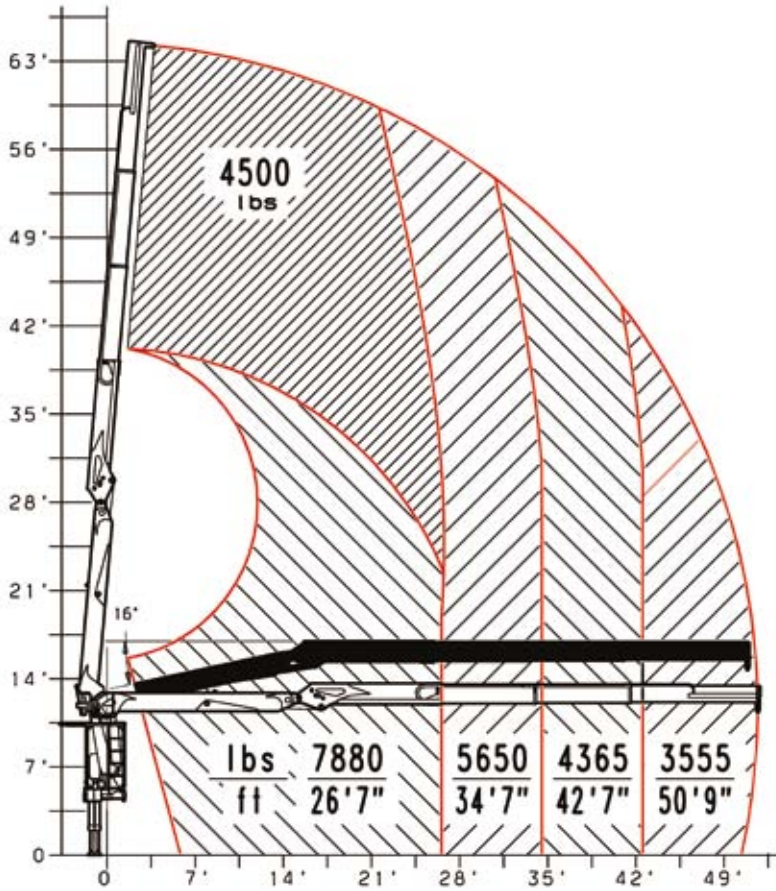
THE WEIGHT OF WALLBOARD FORK AND ROTATOR MUST BE DEDUCTED FROM LIFTING CHART



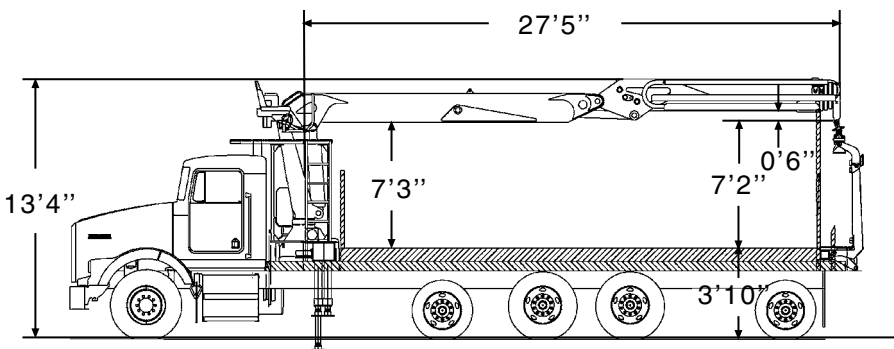
INSTALLATION

MINIMUM TRUCK SPECS Tandem axle frame RBM 3.0 million (per rail), W.B. 270" CA 192", FA 16,000 lbs, RA 34,000 lbs, GVW 50,000 lbs
RECOMMENDED TRUCK SPECS Tandem axle frame RBM 3.0 million (per rail), W.B. 270" CA192", FA 20,000 lbs, RA 44,000 lbs, GVW 64,000 lbs

F360SE.23



THE WEIGHT OF WALLBOARD FORK AND ROTATOR MUST BE DEDUCTED FROM LIFTING CHART



INSTALLATION

MINIMUM TRUCK SPECS Tandem axle frame RBM 3.0 million (per rail), W.B. 270" CA 192", FA 16,000 lbs, RA 34,000 lbs, GVW 50,000 lbs

RECOMMENDED TRUCK SPECS Tandem axle frame RBM 3.0 million (per rail), W.B. 270" CA192", FA 20,000 lbs, RA 44,000 lbs, GVW 64,000 lbs

| TECHNICAL DATA | | F360SE.23 |
|--------------------------|---------|-----------|
| Lifting capacity | lbs.ft | 215768 |
| Standard reach | ft | 50'9" |
| Hydraulic extension | ft | 23'0" |
| Rotation arc | | 420° |
| Rotation torque | lbs.ft | 34439 |
| Working pressure | psi | 4630 |
| Pump capacity | gal/min | 16+16 |
| Oil tank capacity | gals | 66 |
| Outriggers spread crane | ft | 23'6" |
| Supplementary outriggers | | - |
| Degree of boom elevator | | 85° |

| TECHNICAL DATA | | F360SE.23 |
|---------------------------|------|-----------|
| 360° Rotation | sec. | 45 |
| Extension time | sec. | 29 |
| Retraction time | sec. | 23 |
| Inner boom elevation time | sec. | 22 |
| Outer boom elevation time | sec. | 30 |

AVAILABLE CONTROL SYSTEMS

- Dual side cross over ground control with radio remote
- Top seat control
- Top seat control with optional radio remote

"FULL LIFT"* DELIVERY

| "FULL LIFT"* DELIVERY | | F360SE.23 |
|-----------------------|--|-----------|
| Height** | | 63'0" |
| Radius | | 46'11" |

* Wallboard Lift Weight 12' x 4' x 1/2" Standard Board Full Lift: 34 sheets: 2,872 lbs with Hydraulic Fork & Rotator - 3,842 lbs
**Measured at Boom Tip

RECOMMENDATION

Easily Attainable 360° Stability @ 118% of Rated Capacity when Properly Installed by your Local Authorized Fassi Dealer.

TECHNICAL DATA F330SE.24

| | |
|--------------------------|------------------|
| Lifting capacity | lbs.ft 168485 |
| Standard reach | ft 58'9" |
| Hydraulic extension | ft 31'4" |
| Rotation arc | 420° |
| Rotation torque | lbs.ft 34439 |
| Working pressure | psi 3624 |
| Pump capacity | gal/min 16+16 |
| Oil tank capacity | gals 66 |
| Outriggers spread crane | ft 22'6" |
| Supplementary outriggers | - |
| Degree of boom elevator | 85° |

TECHNICAL DATA F330SE.24

| | |
|---------------------------|------------|
| 360°Rotation | sec. 35 |
| Extension time | sec. 38 |
| Retraction time | sec. 29 |
| Inner boom elevation time | sec. 22 |
| Outer boom elevation time | sec. 30 |

AVAILABLE CONTROL SYSTEMS

- Dual side cross over ground control with radio remote
- Top seat control
- Top seat control with optional radio remote

"FULL LIFT" * DELIVERY F330SE.24

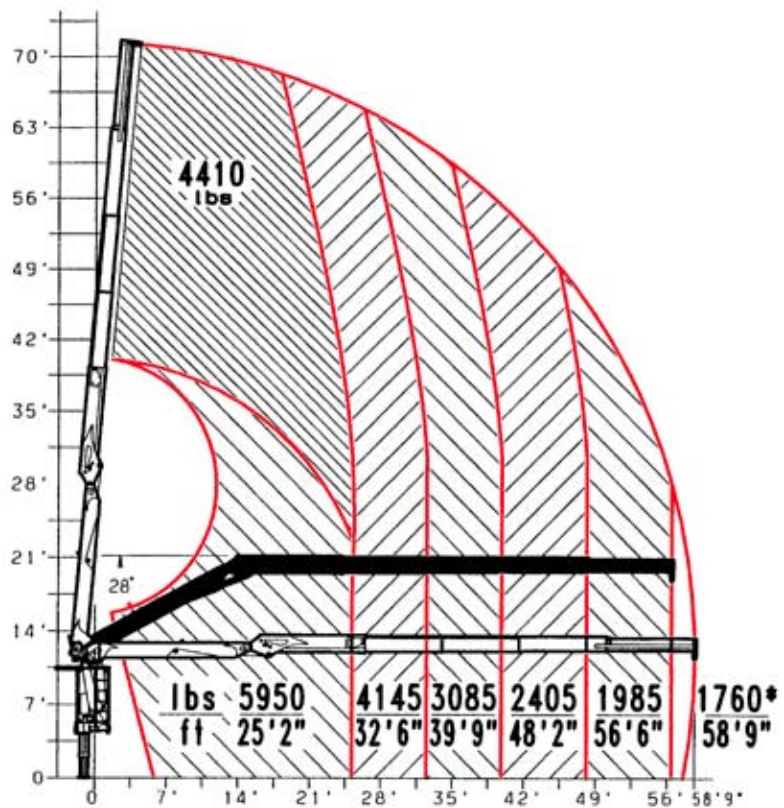
| | |
|----------|--------|
| Height** | 70'11" |
| Radius | 31'11" |

* Wallboard Lift Weight 12' x 4' x 1/2" Standard Board Full Lift: 34 sheets: 2,872 lbs with Hydraulic Fork & Rotator - 3,842 lbs
 **Measured at Boom Tip

RECOMMENDATION

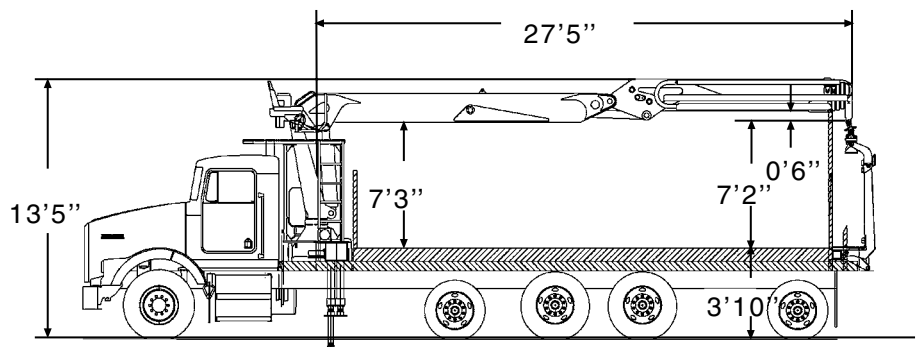
Easily Attainable 360° Stability @ 118% of Rated Capacity when Properly installed by your Local Authorized Fassi Dealer.

F330SE.24



*PLACING CAPACITY ONLY

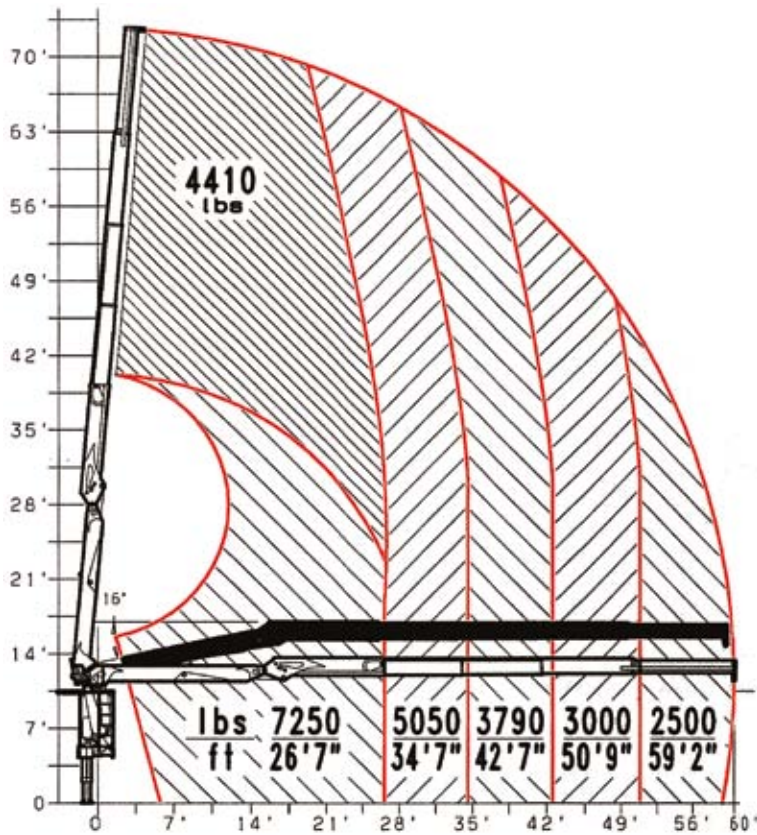
THE WEIGHT OF WALLBOARD FORK AND ROTATOR MUST BE DEDUCTED FROM LIFTING CHART



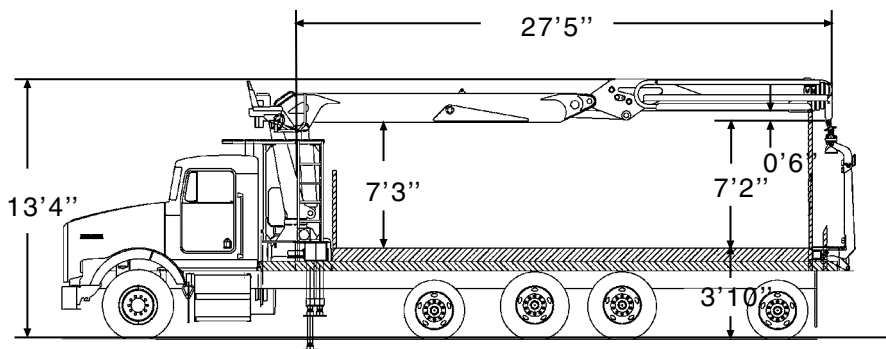
INSTALLATION

MINIMUM TRUCK SPECS Tandem axle frame RBM 3.0 million (per rail), W.B. 270" CA 192", FA 16,000 lbs, RA 34,000 lbs, GVW 50,000 lbs
RECOMMENDED TRUCK SPECS Tandem axle frame RBM 3.0 million (per rail), W.B. 270" CA192", FA 20,000 lbs, RA 44,000 lbs, GVW 64,000 lbs

F360SE.24



THE WEIGHT OF WALLBOARD FORK AND ROTATOR MUST BE DEDUCTED FROM LIFTING CHART



INSTALLATION

MINIMUM TRUCK SPECS Tandem axle frame RBM 3.0 million (per rail), W.B. 270" CA 192", FA 16,000 lbs, RA 34,000 lbs, GVW 50,000 lbs
RECOMMENDED TRUCK SPECS Tandem axle frame RBM 3.0 million (per rail), W.B. 270" CA192", FA 20,000 lbs, RA 44,000 lbs, GVW 64,000 lbs

| TECHNICAL DATA | F360SE.24 |
|--------------------------|------------------|
| Lifting capacity | lbs.ft 192728 |
| Standard reach | ft 59'2" |
| Hydraulic extension | ft 32'7" |
| Rotation arc | 420° |
| Rotation torque | lbs.ft 34439 |
| Working pressure | psi 4360 |
| Pump capacity | gal/min 16+16 |
| Oil tank capacity | gals 66 |
| Outriggers spread crane | ft 23'6" |
| Supplementary outriggers | - |
| Degree of boom elevator | 85° |

| TECHNICAL DATA | F360SE.24 |
|---------------------------|------------|
| 360°Rotation | sec. 45 |
| Extension time | sec. 40 |
| Retraction time | sec. 30 |
| Inner boom elevation time | sec. 22 |
| Outer boom elevation time | sec. 30 |

| AVAILABLE CONTROL SYSTEMS |
|---|
| Dual side cross over ground control with radio remote |
| Top seat control |
| Top seat control with optional radio remote |

| "FULL LIFT" DELIVERY | F360SE.24 |
|--|-----------|
| Height** | 72'3" |
| Radius | 42'0" |
| * Wallboard Lift Weight 12' x 4' x 1/2" Standard Board Full Lift: 34 sheets: 2,872 lbs with Hydraulic Fork & Rotator - 3,842 lbs **Measured at Boom Tip | |

| RECOMMENDATION |
|--|
| Easily Attainable 360° Stability @ 118% of Rated Capacity when Properly installed by your Local Authorized Fassi Dealer. |

TECHNICAL DATA F390SE.22

| | |
|--------------------------|------------------|
| Lifting capacity | lbs.ft 270868 |
| Standard reach | ft 62'0" |
| Hydraulic extension | ft 35'0" |
| Rotation arc | 430° |
| Rotation torque | lbs.ft 49117 |
| Working pressure | psi 4206 |
| Pump capacity | gal/min 16+16 |
| Oil tank capacity | gals 66 |
| Outriggers spread crane | ft 22'6" |
| Supplementary outriggers | ft 18'1" |
| Degree of boom elevator | 85° |

TECHNICAL DATA F390SE.22

| | |
|---------------------------|---------------|
| 360°Rotation | sec. 60 |
| Extension time | sec. 40+18 |
| Retraction time | sec. 19+13 |
| Inner boom elevation time | sec. 41 |
| Outer boom elevation time | sec. 34 |

AVAILABLE CONTROL SYSTEMS

| |
|---|
| Dual side cross over ground control with radio remote |
| Top seat control |
| Top seat control with optional radio remote |

"FULL LIFT" * DELIVERY F390SE.22

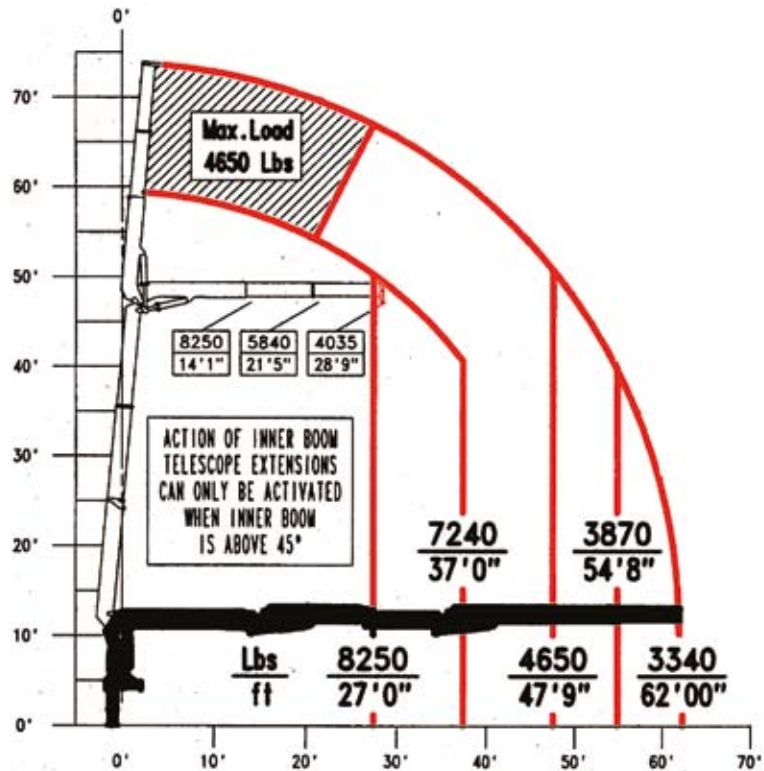
| | |
|----------|--------|
| Height** | 73'6" |
| Radius | 54'10" |

* Wallboard Lift Weight 12' x 4' x 1/2" Standard Board Full Lift: 34 sheets: 2,872 lbs with Hydraulic Fork & Rotator - 3,842 lbs
 **Measured at Boom Tip

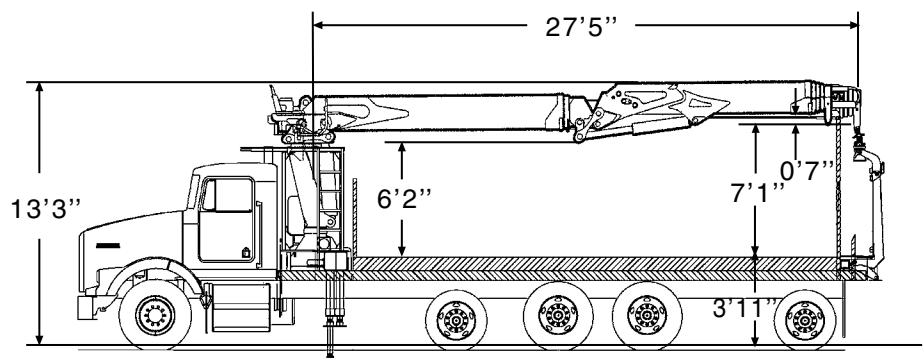
RECOMMENDATION

Easily Attainable 360° Stability @ 118% of Rated Capacity when Properly Installed by your Local Authorized Fassi Dealer.

F390SE.22



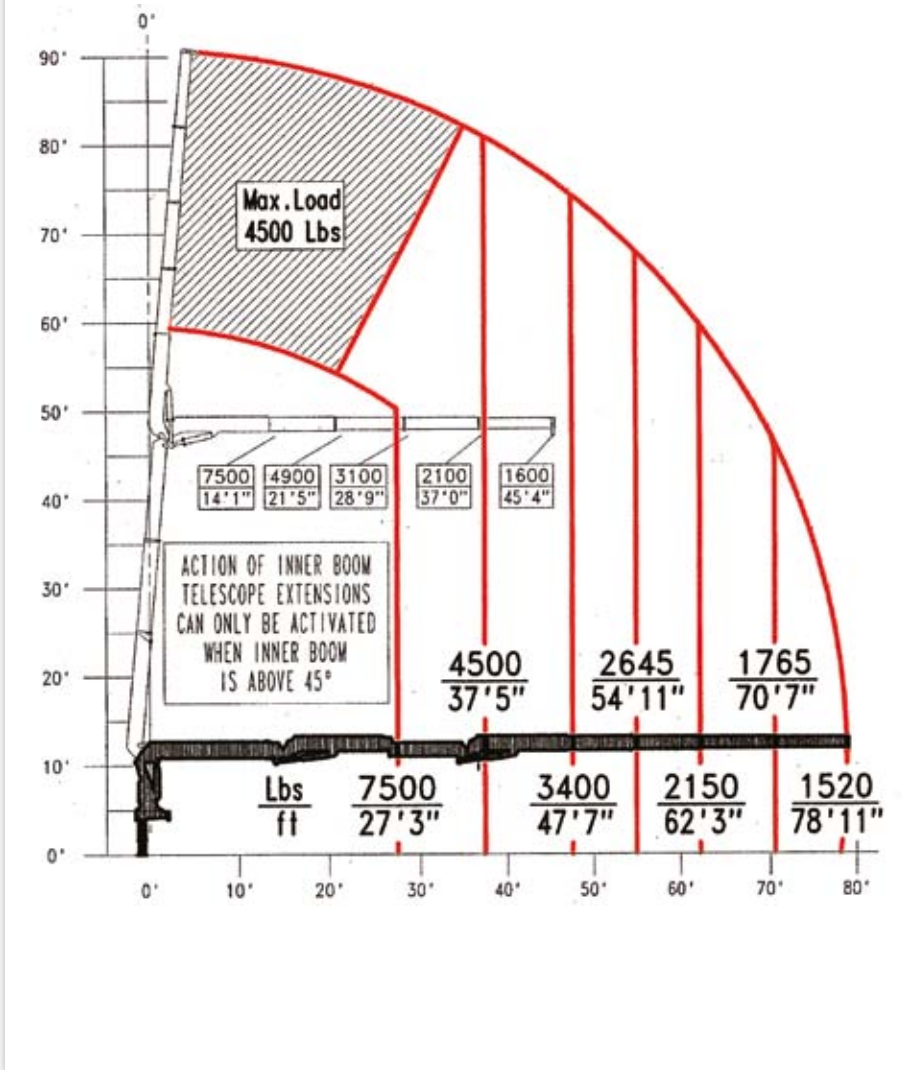
THE WEIGHT OF WALLBOARD FORK AND ROTATOR MUST BE DEDUCTED FROM LIFTING CHART



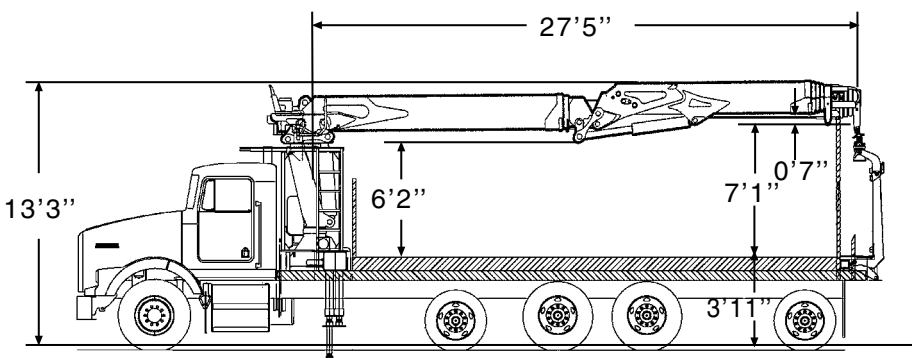
INSTALLATION

MINIMUM TRUCK SPECS Tandem axle frame RBM 3.0 million (per rail), W.B. 270" CA 192", FA 16,000 lbs, RA 34,000 lbs, GVW 50,000 lbs
RECOMMENDED TRUCK SPECS Tandem axle frame RBM 3.0 million (per rail), W.B. 270" CA192", FA 20,000 lbs, RA 44,000 lbs, GVW 64,000 lbs

F390SE.24



THE WEIGHT OF WALLBOARD FORK AND ROTATOR MUST BE DEDUCTED FROM LIFTING CHART



INSTALLATION

MINIMUM TRUCK SPECS Tandem axle frame RBM 3.0 million (per rail), W.B. 270" CA 192", FA 16,000 lbs, RA 34,000 lbs, GVW 50,000 lbs
RECOMMENDED TRUCK SPECS Tandem axle frame RBM 3.0 million (per rail), W.B. 270" CA192", FA 20,000 lbs, RA 44,000 lbs, GVW 64,000 lbs

| TECHNICAL DATA | | F390SE.24 |
|--------------------------|---------|-----------|
| Lifting capacity | lbs.ft | 202524 |
| Standard reach | ft | 78'11" |
| Hydraulic extension | ft | 51'5" |
| Rotation arc | | 430° |
| Rotation torque | lbs.ft | 49117 |
| Working pressure | psi | 4360 |
| Pump capacity | gal/min | 16+16 |
| Oil tank capacity | gals | 66 |
| Outriggers spread crane | ft | 22'6" |
| Supplementary outriggers | ft | 18'1" |
| Degree of boom elevator | | 85° |

| TECHNICAL DATA | | F390SE.24 |
|---------------------------|------|-----------|
| 360° Rotation | sec. | 60 |
| Extension time | sec. | 40+36 |
| Retraction time | sec. | 19+27 |
| Inner boom elevation time | sec. | 41 |
| Outer boom elevation time | sec. | 34 |

| AVAILABLE CONTROL SYSTEMS | |
|---|--|
| Dual side cross over ground control with radio remote | |
| Top seat control | |
| Top seat control with optional radio remote | |

| "FULL LIFT" DELIVERY | | F390SE.24 |
|--|--|-----------|
| Height** | | 90'5" |
| Radius | | 42'1" |
| * Wallboard Lift Weight 12' x 4' x 1/2" Standard Board Full Lift: 34 sheets: 2,872 lbs with Hydraulic Fork & Rotator - 3,842 lbs **Measured at Boom Tip | | |

| RECOMMENDATION | |
|--|--|
| Easily Attainable 360° Stability @ 118% of Rated Capacity when Properly installed by your Local Authorized Fassi Dealer. | |



Data and descriptions are approximate and not binding - Toutes les données et descriptions sont fournies à titre indicatif, sans engagement - Datos y descripciones todos a título indicativo y no imperativo



FASSI GRU S.p.A. - Via Roma, 110 - 24021 Albino (Bergamo) ITALY
Tel- +39 035 776400 - Fax +39 035 755020
www.fassigroup.com - E-mail: fassi@fassigroup.com

