



AT865

All-terrain hydraulic crane

- Maximum on-board tip height 194 ft. (59m)
- 6x6 wheel drive with six wheel steer
- Maximum speed 43.5 mph (70 kph)
- Telescopic Swingaway 35 ft.-48 ft.-61 ft. (10.70m-14.60m-18.60m). Offsettable at 0°, 15° or 30°.



Superstructure specifications

Boom	40 ft. to 125 ft. (12.1m - 38m) four-section Trapezoidal† boom, including remote controlled aerial pinned section. Telescopic sections slide on adjustable and replaceable Nylatron pads. Maximum Tip Height: 135 ft. (41m).
Optional* Boom	40 ft. to 115 ft. (12.1m - 35m) four-section Trapezoidal† boom, including remote controlled aerial pinned section. Telescopic sections slide on adjustable and replaceable Nylatron pads. Maximum Tip Height: 125 ft. (38m).
Telescopic Offsettable Swingaway Extension	35 ft. to 48 ft. or 61 ft. (10.7m to 14.6m or 18.6m) swingaway boom extension with a rectangular roller-mounted section extending from within the 35 ft. (10.6m) lattice extension. Offsettable at 2°, 15° or 30°. Stows alongside boom when not in use. Maximum Tip Height: 194 ft. (59m) with 125 ft. (38m) boom.
Optional* Offsettable Swingaway Extension	35 ft. (10.6m) lattice swingaway boom extension, offsettable at 2°, 15° or 30°. Stows alongside boom when not in use. Maximum Tip Height: 168 ft. (50m).
Boom Nose	Six sheaves, mounted on heavy duty tapered roller bearings with removable pin-type rope guards. Optional *auxiliary boom nose for single line lifting.
Boom Elevation	Twin double-acting hydraulic cylinders with integral holding valves provide elevation for -4° to 80°.
Load Moment & Anti-two Block System	Audio-visual warning system with automation cut-out, electronic boom angle, length and relative load moment indication.
Cab	Full vision, all steel fabricated with accoustical lining and tinted safety glass throughout. Deluxe seat incorporates armrest mounted hydraulic joystick controls. Dash panel incorporates gauges for all engine functions. Complete driving controls. Other standard features include: sliding side and rear windows, electric windshield wash-wipe, electric skylight wiper, diesel heater, swing horn, and fire extinguisher.
Swing	Ball bearing swing circle with 360° continuous rotation. Planetary gearbox with free swing and foot applied multi-disc brake. Spring-applied hydraulically released park brake. Plunger-type two position mechanical house lock operated from cab. Maximum speed: 1.9 RPM.
Counterweight	Fixed counterweight, with section stowable on crane carrier, giving a total of 6,614 lb. (3,000 kg). Additional 11,023 lb. (5,000 kg) counterweight to give a total of 17,637 lb. (8,000 kg).

HYDRAULIC SYSTEM

Pumps	4 main gear pumps, combined capacity 165 G.P.M. (625 LPM). Maximum pressure 3,000 PSI (207 kg/cm ²). Pump disconnect for road travel.
Valves	Precision four way double acting pilot operated control valves, 4 individual valve banks permit simultaneous control of multiple crane functions.
Filter	Pressure line type filter, with by-pass protection and service indicator. Replaceable 10 micron rated cartridge.
Reservoir	165 gallons (626 liters) capacity, with internal baffles, clean out access and external oil level sight gauge.
Oil Cooler	Remote mounted with thermostatically controlled electric motor driven fan.
Pressure Check Panel	System pressure test panel with quick release type fittings.

HOIST SPECIFICATIONS

Power up and down, equal speed, planetary reduction with integral automatic spring-applied, multi-disc brake. Electronic hoist drum rotation indicator.

	Main Hoist High Range	Low Range	Auxiliary Hoist Single Range
Maximum Single Line Speed			
Bottom layer	466 FPM (142 m/min)	233 FPM (71 m/min)	348 FPM (106 m/min)
Intermediate layer	502 FPM (153 m/min)	250 FPM (76 m/min)	371 FPM (113 m/min)
Top layer	538 FPM (164 m/min)	269 FPM (82 m/min)	394 FPM (120 m/min)
Maximum Single Line Pull			
Bottom layer	8,232 lbs. (3,742 kg)	16,465 lbs. (7,484 kg)	9,128 lbs. (4,149 kg)
Intermediate layer	7,638 lbs. (3,472 kg)	15,279 lbs. (6,945 kg)	8,602 lbs. (3,910 kg)
Top layer	7,126 lbs. (3,239 kg)	14,252 lbs. (6,478 kg)	8,118 lbs. (3,690 kg)
Maximum Permissible Line Pull	11,465 lbs. (5,200 kg)		6,835 lbs. (3,100 kg)
Maximum Rope Stowage	666 ft. x 3/4 in. (203m x 19mm)		682 ft. x 9/16 in. (208m x 14mm)
Standard Rope Supplied	590 ft. x 3/4 in. (180m x 19mm)		574 ft. x 9/16 in. (175m x 14mm)

†Patented Grove feature or patent pending.

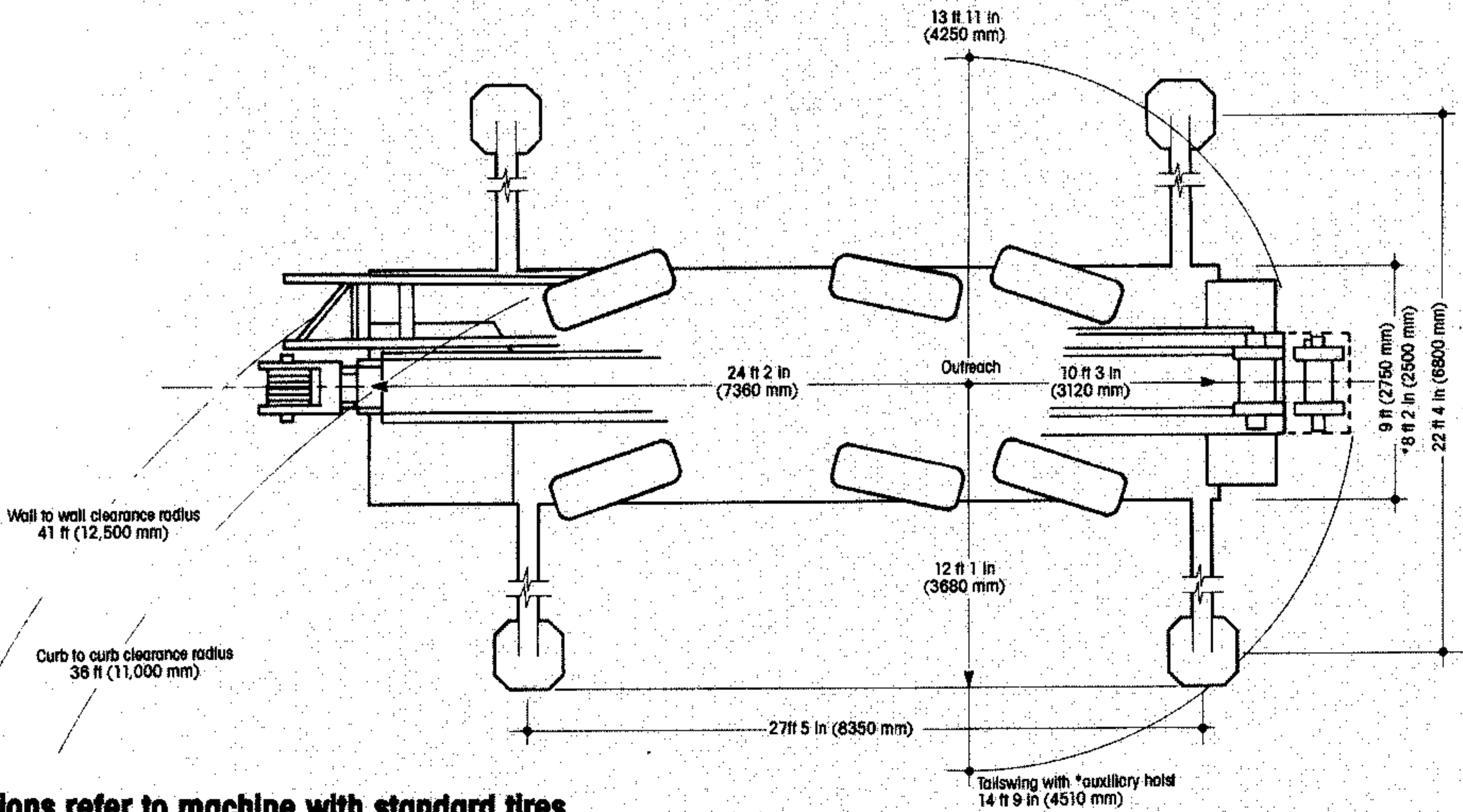
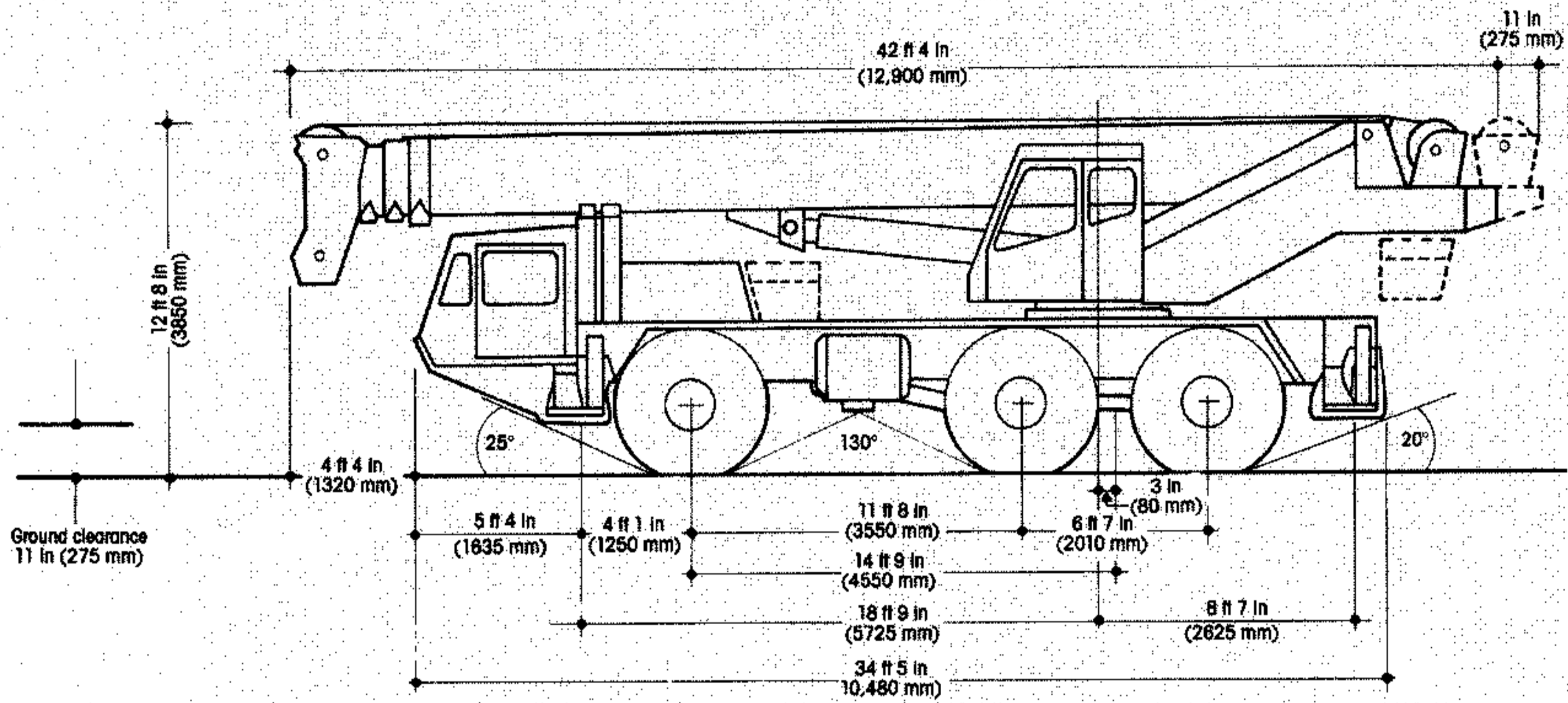
*Denotes optional equipment, some of which may not normally be imported into North America.

Carrier specifications

Frame	High strength alloy steel all welded box section design with integral outrigger housings and incorporating towing/tie down bracket. 9 ft. (2.75m)*.	Suspension	Integral hydrogas type all-round. Hydraulic lockout for 'on rubber' crane operation.
Outrigger System	Hydraulic two stage with 8 ft. 2 in. (2.5m) chassis beam and jack outriggers with integral holding valves. Quick release type outrigger floats.	Lights	Full lighting package including turn indicators, head, tail, brake and hazard warning lights.
Outrigger Controls	Located in the superstructure cab and on both sides of the carrier frame, requiring two-handed operation. Crane level indicator adjacent to each set of controls.	Cab	Two third width design, all steel fabricated with accoustical lining and tinted safety glass throughout. Deluxe fabric covered fully adjustable seat. Complete driving controls and engine instrumentation including tachometer, speedometer, voltmeter, water temp. oil pressure, transmission temp., fuel level, air pressure gauge with A/V warning and engine high temp./ low oil pressure A/V warning. Other standard items include hot water heater/ defroster, electric windshield wash/wipe, fire extinguisher, seat belt and door and window locks.
Engine	Deutz BF8L513, eight cylinder turbo-charged air cooled diesel - 12.8 liters, 320 bhp (235 kw) (Gross) @ 2,300 RPM. Maximum torque 863 ft. lbs. (1,170Nm) @ 1,500 RPM.	Maximum Speed	43.5 MPH (70 kph)
Fuel Tank Capacity	96 gallons (365 liters)	Gross Vehicle Weight & Axle Loads	BASIC STANDARD MACHINE Axle 1: 26,455 lbs. (12,000 kg) Axle 2: 26,455 lbs. (12,000 kg) Axle 3: 26,455 lbs. (12,000 kg) GVW: 79,365 lbs. (36,000 kg)
Electrical System	24 volt (including starting).	Miscellaneous Standard Equipment	Full width fenders, dual rear view mirrors, hookblock tiedown sling, electronic back-up alarm, light package, sling/tool box, pump disconnect, engine distress A/V warning.
Drive	6 x 6.		
Steering	<p>Front: Mechanical with hydraulic power assist controlled by steering wheel.</p> <p>Rear: Full hydraulic hand lever controlled (from upper cab only), provides infinite variations of 4 main steering modes - front only, rear only, crab and coordinated. Mechanically locked for highway travel.</p> <p>Automatic steering reversal system to ensure correct control regardless of superstructure position.</p>		
Transmission	Remote mounted powershift transmission with six forward and three reverse speeds. Integral torque converter with automatic lock-up for highway travel.		
Axles	<p>Front: Drive-steer with differential and planetary reduction hubs.</p> <p>Rear: Drive-steer with differential and planetary reduction hubs.</p> <p>Rear: Drive-steer with differential and planetary reduction hubs.</p> <p>All axles equipped with cross-axle differential locks.</p>		
Brakes	Dual-line air system operating on all wheels. Spring-applied air-released park brake acting on axles two and three. Engine exhaust brake.		
Tires	20.5 x 25 on-off highway radials, tire inflation kit.		
Optional Tires	16.00 x 25 on-off highway radials. 14.00 x 24 on-off highway radials.		

†Patented Grove feature or patent pending.

*Denotes optional equipment, some of which may not normally be imported into North America.



Dimensions refer to machine with standard tires.