



**SPIERINGS
KRANEN**

Mark: **SPIERINGS** Typ: **SK345-AT3**

Crane identification

Serial number: <input type="text"/>	Crane group : 3 as per NEN 2018 Loadspectrum : 2 as per NEN 2018 Classification : A as per NEN 2018 Stability : as per NEN 2022	Identification- number 41 tm	Max. load 5,0 tonne	Max.radius with max. load 9,3 m	Max. capacity 46,5 tm	Max. jib lenght 30,4 m
Year of construction: _____						

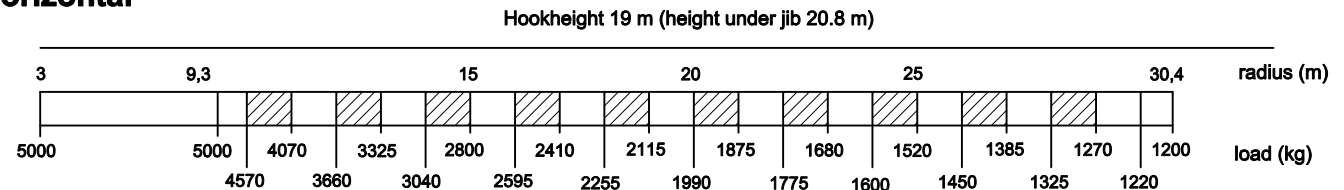
Speeds

Jib horizontal / jib 30° luffed											
	<table border="1"> <tr><th>m/min</th><th>kg</th></tr> <tr><td>11</td><td>5000</td></tr> <tr><td>18</td><td>2500</td></tr> <tr><td>35</td><td>1200</td></tr> <tr><td>50</td><td>0</td></tr> </table>	m/min	kg	11	5000	18	2500	35	1200	50	0
m/min	kg										
11	5000										
18	2500										
35	1200										
50	0										
	0 - 40 m/min										
	0 - 0,9 rpm										

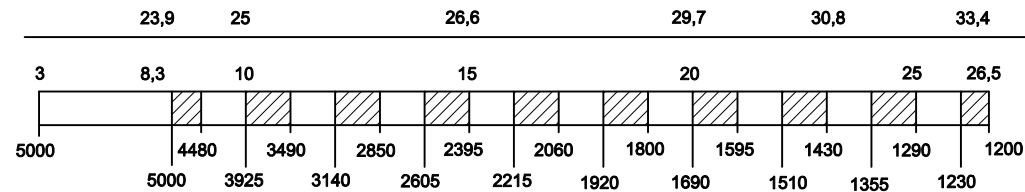
All motions with hydraulic proportinal controls
Luffing the Jib 30° can be controlled from crane cab or via remote control
Driving with erected tower and jib, only with the jib horizontal and positioned over the front carriage, platform locked to the carrier and the outriggers fully extended (max. inclination 2°)
Rated lifting capacity is net capacity
Crane equipped with full counterweight: 7080 kg
360° continuous slewing, with outriggers out and down
2 Outriggers positons: 6,90 x 5,40 m
6,90 x 3,80 m
Operation allowed up to a windforce of 8 on the Beaufortscale. (wind speed 20 m/sec.)
Sail area of the load max. 1,0 m² / tonne at a windforce of 8 on the Beaufortscale.
Operating temperature range from -15° to 40° C.
In all cases 2 parts of line
Max. line pull force 2500 kg
The crane should be folded in at a windforce >9 (21m/sec) or when not in use for a longer period

LIFTING CHART Outrigger spread 6,90 m x 5,40 m

Jib horizontal

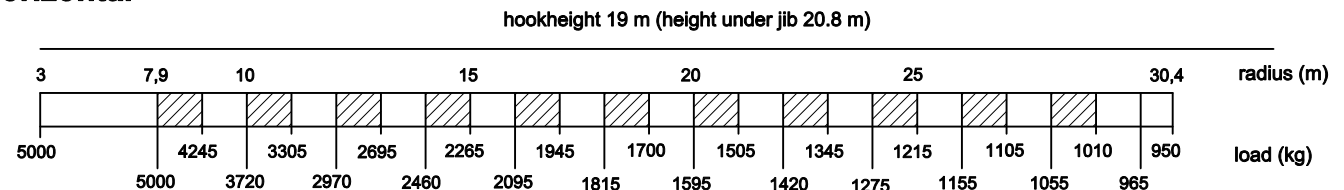


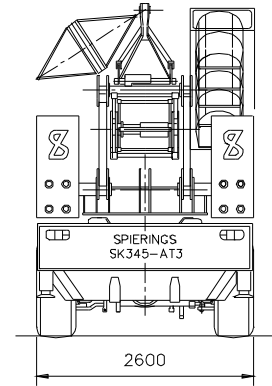
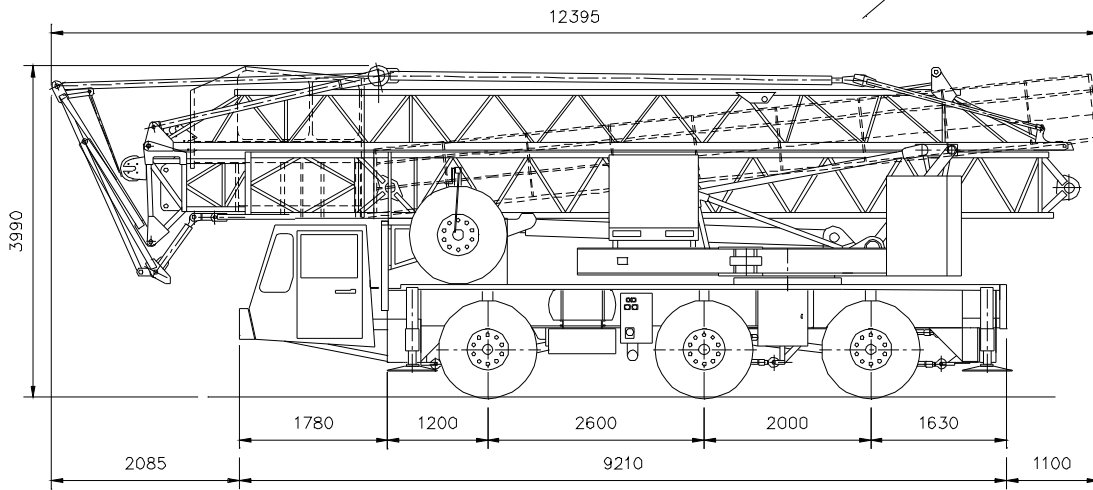
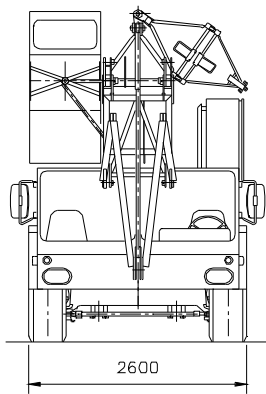
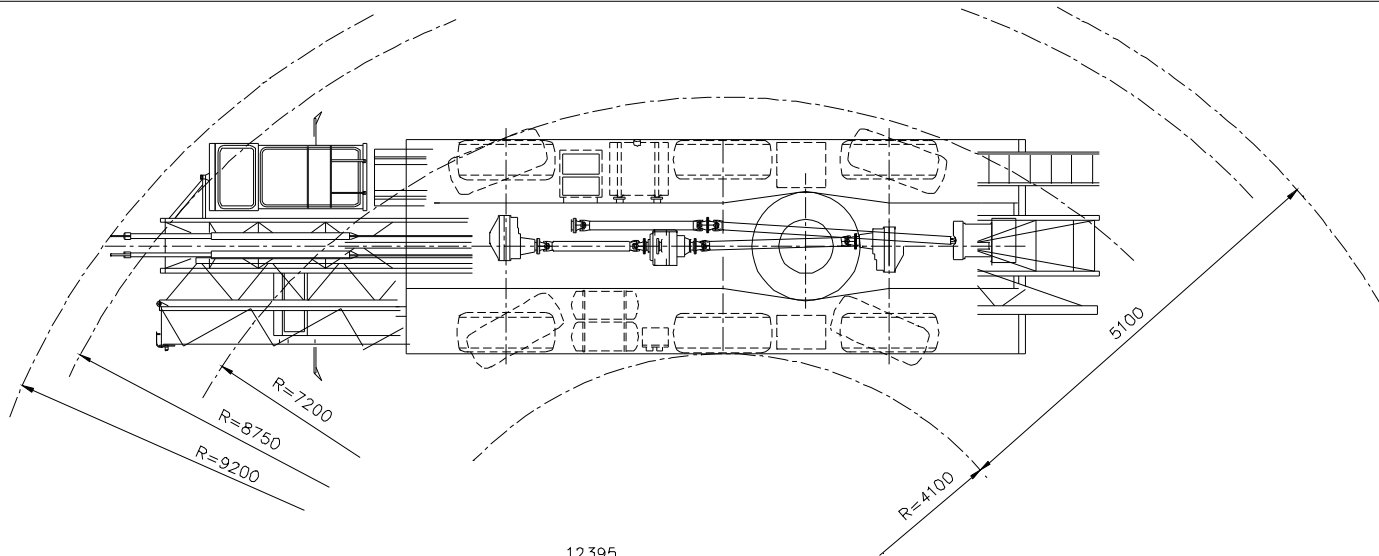
Jib offset +30°



LIFTING CHART Outrigger spread 6,90 m x 3,80 m

Jib horizontal





SPIERINGS HYDRAULIC FOLDING CRANE
SK345-AT3



**SPIERINGS
 KRANEN**

Merwedestraat 15
 5347 KZ Oss NL
 Tel. 0412-626964
 Fax 0412-645299

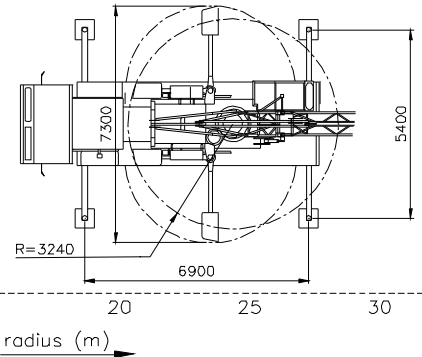
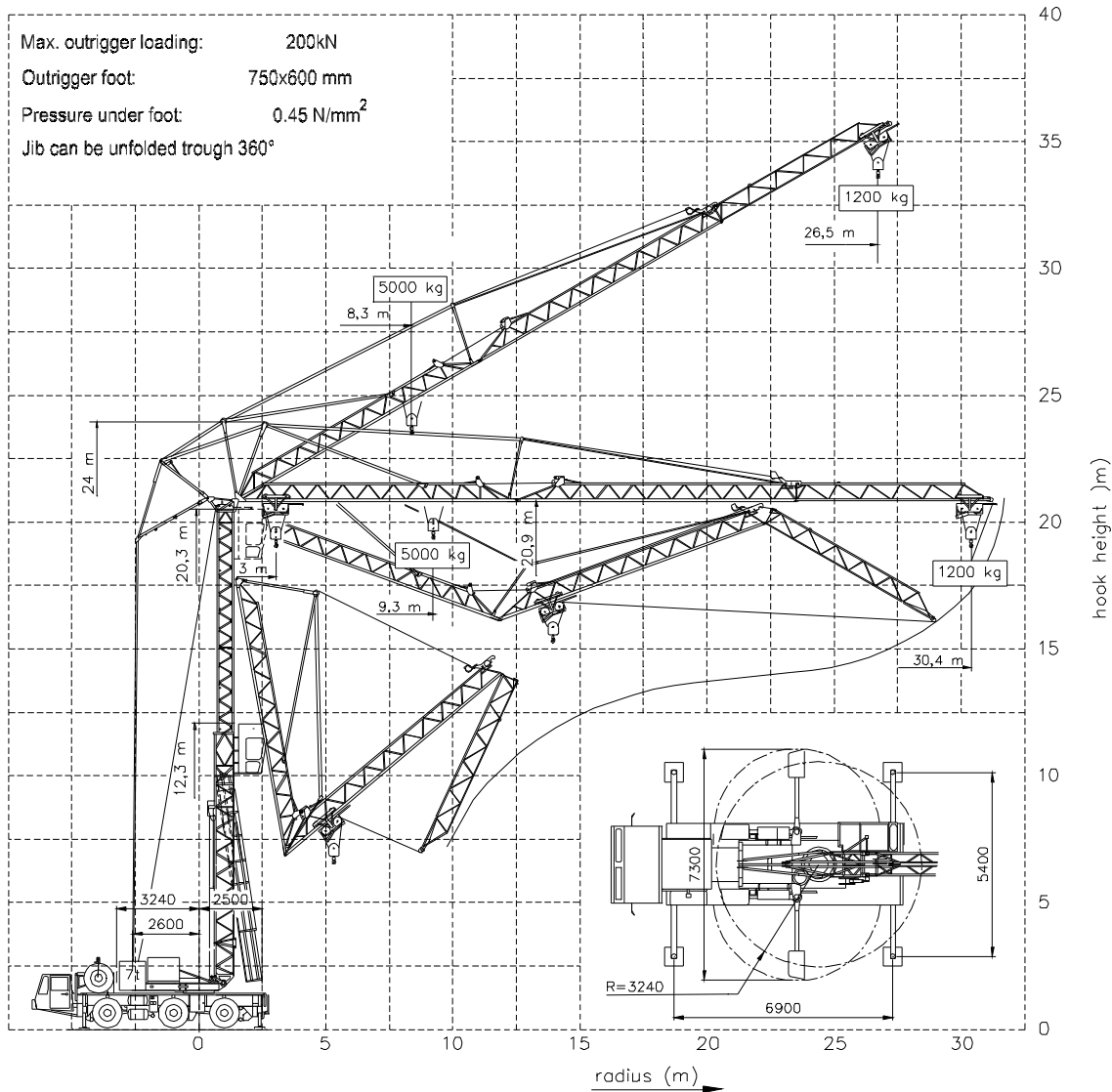
Total weight: 36000 kg

SPIERINGS

HYDRAULIC FOLDING CRANE

SK 345 - AT3

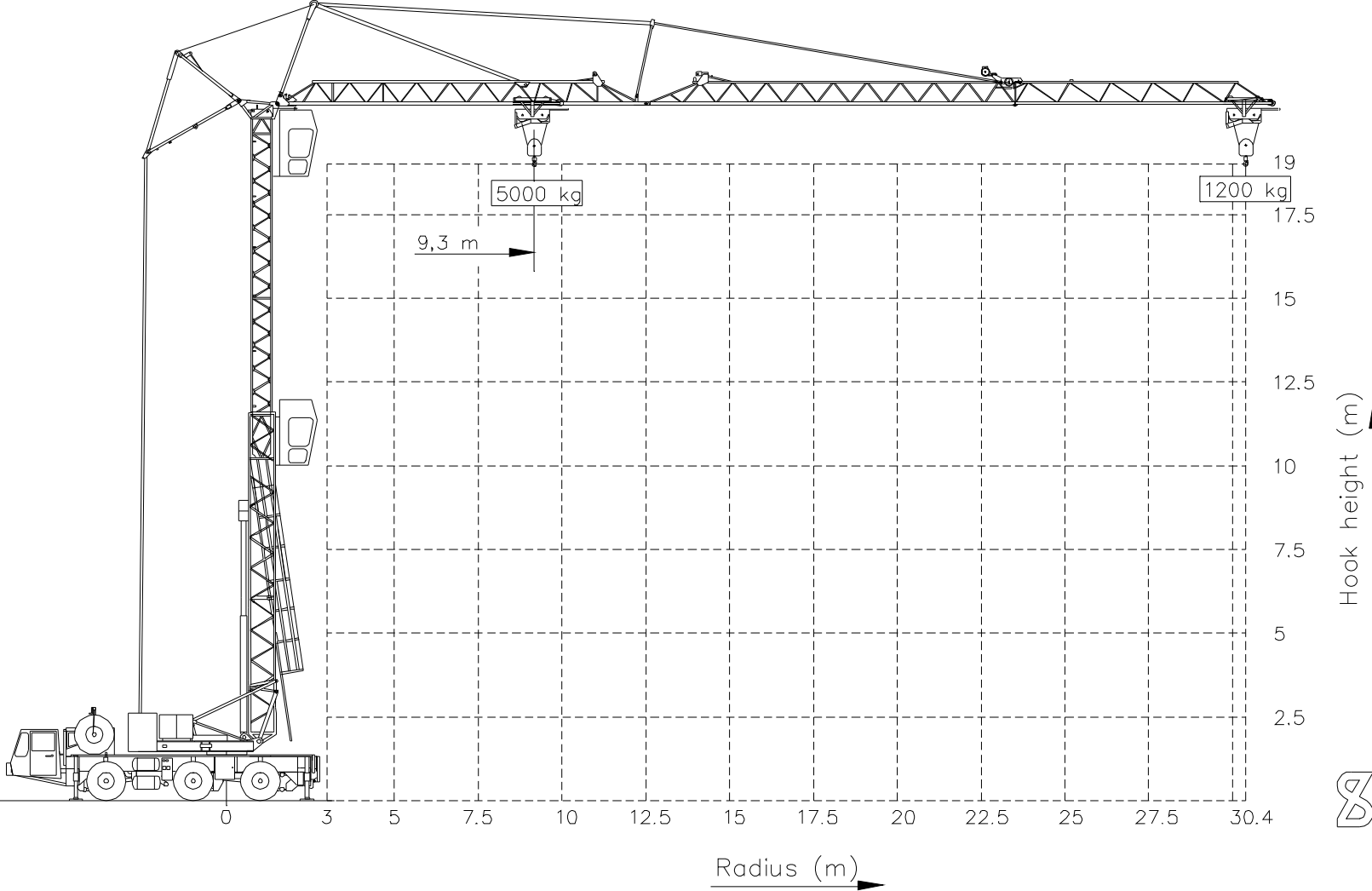
Max. outrigger loading: 200kN
Outrigger foot: 750x600 mm
Pressure under foot: 0.45 N/mm²
Jib can be unfolded trough 360°



 **SPIERINGS
KRANEN**
Merwedestraat 15
5347 KZ Oss NL
Tel. 0412-626964
Fax 0412-645299

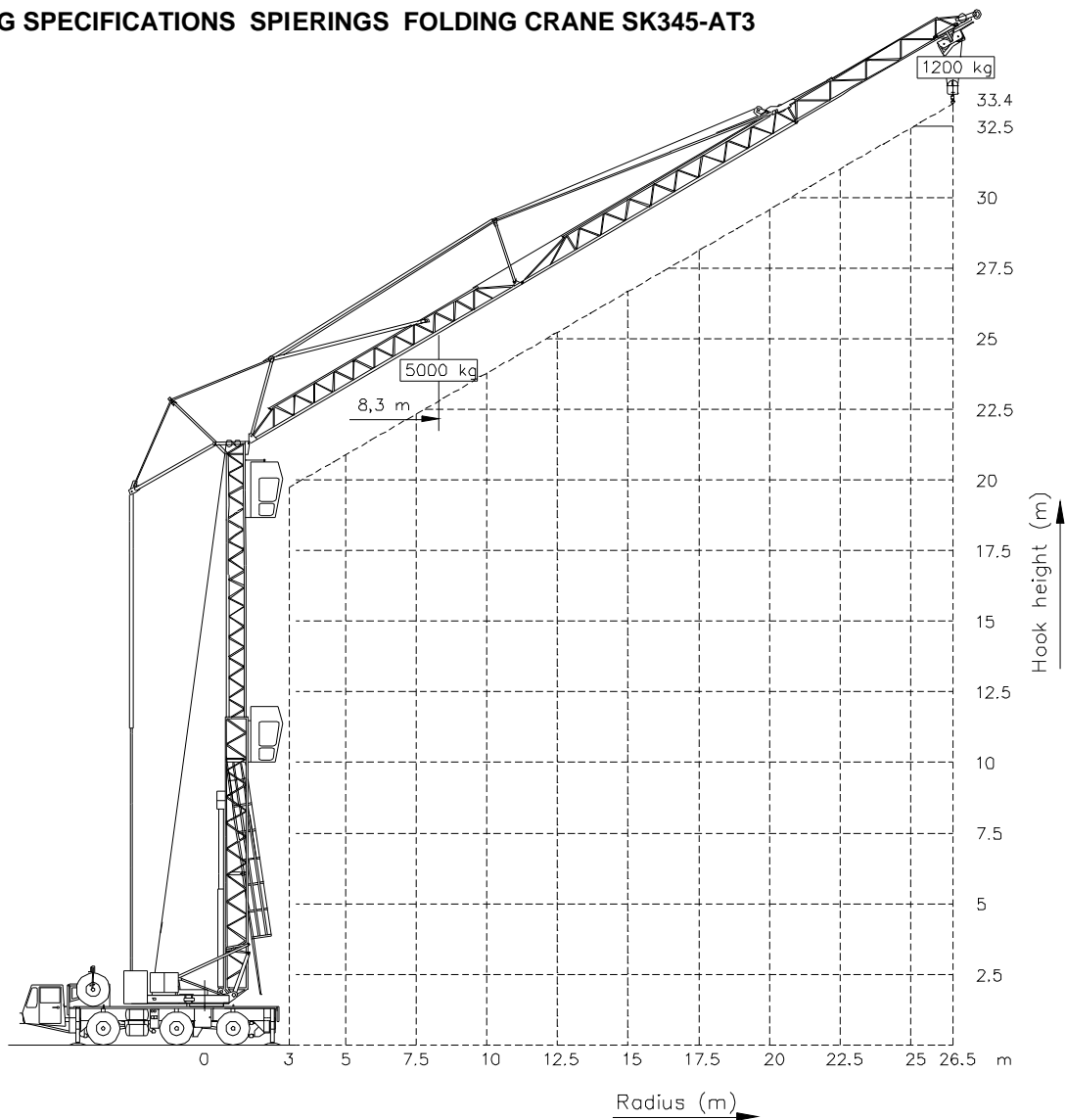
Changes subject to modifications

HOISTING SPECIFICATIONS SPIERINGS FOLDING CRANE SK345-AT3



**SPIERINGS
KRANEN**
Merwedestraat 15
5347 KZ Oss NL
Tel. 0412-626964
Fax 0412-645299

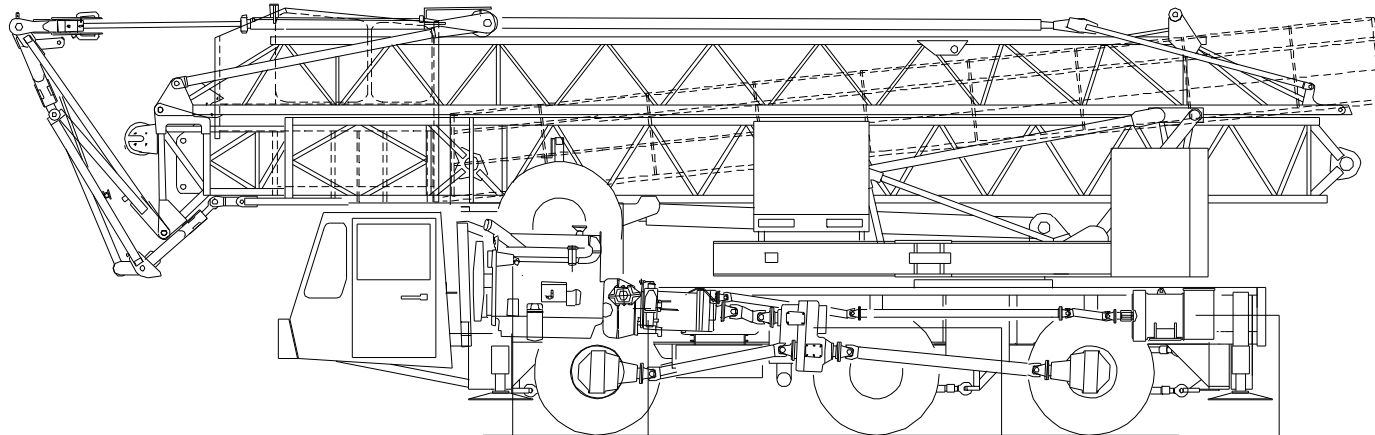
HOISTING SPECIFICATIONS SPIERINGS FOLDING CRANE SK345-AT3



**SPIERINGS
KRANEN**

Merwedestraat 15
5347 KZ Oss NL
Tel. 0412-626964
Fax 0412-645299

Drive train SPIERINGS SK345-AT3



Engine:
DAF DHS 825 L (8,25 ltr.)
Power: 195 Kw (2400 rpm)
Torque: 932 Nm (1500 rpm)

Axle 1

Gear box ZF S6-90
Manually operated with air power ass.
+ dry plate clutch

Axle 2

Transfer case:
STEYR VG1600/300
Road gear $i=1,0,89$
Off-road gear $i=1,54$

Axle 3

Generator;
LSA 44.1M3 - 75kVA

Axes 1 and 3 : O&K (/FAUN) axles with differential and end reduction

Axle 2 : O&K (/FAUN) axle, not driven

Suspension: hydro-pneumatic on all axles, stroke ram 160 mm

Max. speed carrier : 80 km/h

Min speed carrier (diesel engine 1000 rpm) : 1,7 km/h

SPIERINGS FOLDING CRANE
Type SK345-AT3



Merwedestraat 15
5347 KZ Oss NL
Tel. 0412-626964
Fax 0412-645299