



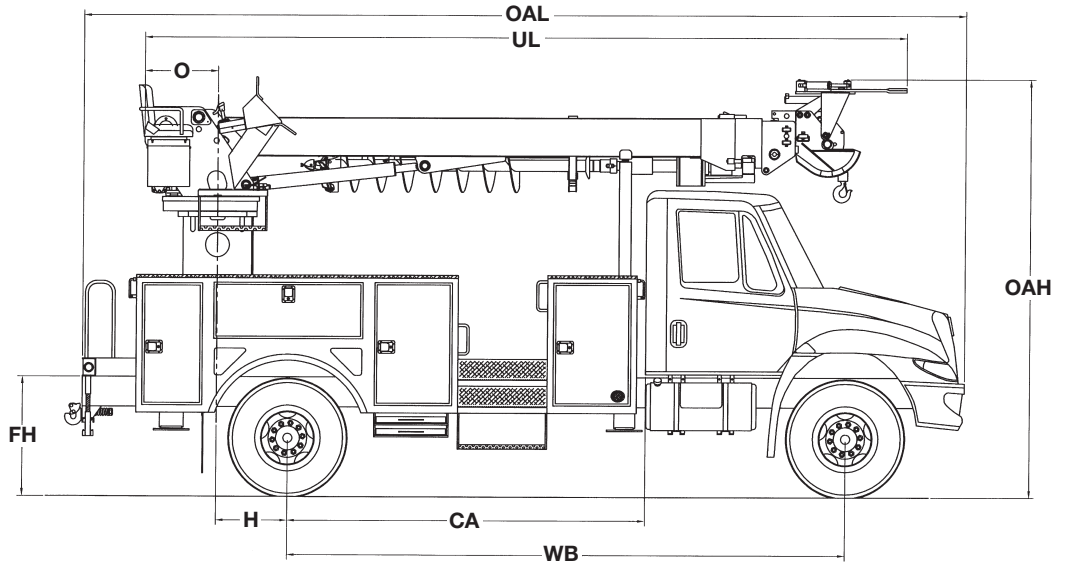
TEREX®

Utilities

XL4000 SERIES

DIGGER DERRICK

Terex® Telelect Digger Derricks are known throughout the industry. They come with a long history featuring quality and innovative design.



| Measurements | XL4045 | | | XL4047 | | |
|------------------------------------|---------------------------|----------------------|---------------------|---------------------------|-----------------------|---------------------|
| | ORA | BC | CMT | ORA | BC | CMT |
| Frame Height (FH) | 40 in. (101.6 cm) | | | 40 in. (101.6 cm) | | |
| Offset (O) | 24.5 in. (62.2 cm) | | | 24.5 in. (62.2 cm) | | |
| Overall Height (OAH) | 11' 2" (3.4 m) | 11' 8" (3.6 m) | 11' 2" (3.4 m) | 11' 2" (3.4 m) | 11' 8" (3.6 m) | 11' 2" (3.4 m) |
| Overall Length (OAL) | 23' 11" (7.3 m) | 30' 1" (9.2 m) | 23' 7" (7.2 m) | 25' 6.5" (7.8 m) | 32' 1" (9.8 m) | 24' 7" (7.5 m) |
| Unit Length (UL) | 21' 4" (6.5 m) | | | 23' 4" (7.4 m) | | |
| Center of Rotation (H) | 24 in. (61 cm) | 97.5 in. (248 cm) | 44 in. (112 cm) | 24 in. (61 cm) | 115.5 in. (293 cm) | 44 in. (112 cm) |
| Cab to Axle (CA) | 108 in. (274 cm) | 120 in. (305 cm) | 108 in. (274 cm) | 120 in. (305 cm) | 138 in. (351 cm) | 120 in. (305 cm) |
| Wheel Base (WB) | 180 in. (457 cm) | 192 in. (488 cm) | 180 in. (457 cm) | 192 in. (488 cm) | 210 in. (533 cm) | 192 in. (488 cm) |
| Front Axle (GAWR) | 12,000 lb. (5,443 kg) | | | 12,000 lb. (5,443 kg) | | |
| Rear Axle (GAWR) | 19,000 lb. (8,618 kg) | | | 19,000 lb. (8,618 kg) | | |
| Gross Vehicle Weight Rating (GVWR) | 31,000 lb. (14,061 kg) | | | 31,000 lb. (14,061 kg) | | |
| Recommended Weight For Stability | 26,000 lb. (11,793 kg) | | | 26,000 lb. (11,793 kg) | | |
| Frame Section Modulus | 18.0 in ³ | | | 18.0 in ³ | | |
| Frame Yield Strength | 50,000 psi | | | 50,000 psi | | |
| Frame RBM | 900,000 in-lbs | | | 900,000 in-lbs | | |



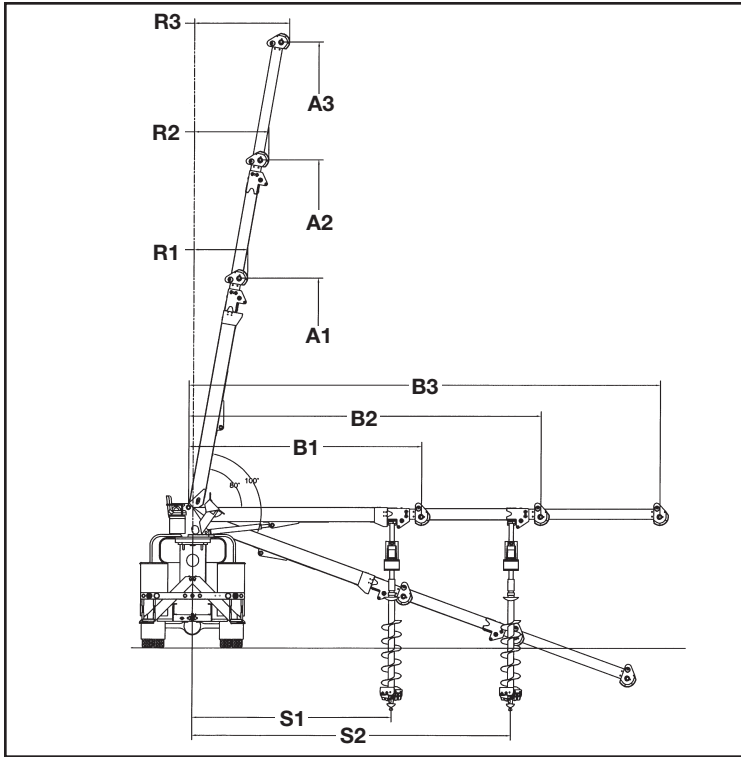
TEREX® Utilities

500 Oakwood Drive
PO BOX 1150
Watertown, SD 57201-6150
USA

Phone: (605) 882-4000
Facsimile: (605) 882-1842
www.terexutilities.com
E-mail: sales@terexutilities.com

Distributed By:

XL4000 SERIES



STANDARD EQUIPMENT

- 100 Degrees of Boom Travel (+80 to -20)
- 50 Gallon Hydraulic Oil Reservoir
- Boom Angle Indicator
- Boom Interlock
- Box Fabricated Steel Lower Boom and Intermediate
- Continuous Unrestricted Rotation
- Custom Made Zoned Load Chart
- Dual Handle Rack Controls
- Fiberglass Hydraulic Upper Boom
- Full Pressure Hydraulic Controls
- Meets or Exceeds ANSI A10.31
- Open Center Hydraulic System
- Outrigger Moving Alarm
- Self-Aligning Swivel Ball Bushings
- Single Lift Cylinder
- Steel Hydraulic Intermediate
- Transferable Pole Buddy
- 15,000 lb. Turntable Winch

CAPACITIES & DIMENSIONAL DATA

| Model | Maximum Capacity | Capacity @ 10 ft Radius | Sheave Height | | | Load Radius | | | Horizontal Reach | | | Digging Radius | | |
|----------------|--------------------------|-------------------------|--------------------|---------------------|---------------------|-------------------|-------------------|-------------------|--------------------|--------------------|---------------------|--------------------|--------------------|--|
| | | | A1 | A2 | A3 | R1 | R2 | R3 | B1 | B2 | B3 | S1 | S2 | |
| XL4045 | | | | | | | | | | | | | | |
| TM Winch | 34,600 lb (15,694 kg) | 14,300 lb (6,486 kg) | 28.2 ft (8.6 m) | 37.1 ft (11.3 m) | 46.0 ft (14.0 m) | 3.3 ft (1.0 m) | 4.8 ft (1.5 m) | 6.4 ft (2.0 m) | 18.0 ft (5.5 m) | 27.0 ft (8.2 m) | 36.0 ft (10.1 m) | 15.5 ft (4.7 m) | 24.5 ft (7.4 m) | |
| Boom Tip Winch | 28,950 lb (13,130 kg) | 13,600 lb (6,168 kg) | 27.3 ft (8.3 m) | 36.1 ft (11.0 m) | 45.3 ft (13.8 m) | 3.7 ft (1.1 m) | 5.3 ft (1.6 m) | 6.2 ft (1.9 m) | 17.1 ft (5.2 m) | 26.1 ft (8.0 m) | 36.0 ft (10.8 m) | 15.5 ft (4.7 m) | 24.5 ft (7.4 m) | |
| XL4047 | | | | | | | | | | | | | | |
| TM Winch | 31,400 lb (14,240 kg) | 13,850 lb (6,280 kg) | 30.2 ft (9.2 m) | 39.1 ft (11.9 m) | 47.9 ft (14.6 m) | 3.6 ft (1.1 m) | 5.2 ft (1.6 m) | 6.8 ft (2.1 m) | 20.0 ft (6.1 m) | 29.0 ft (8.8 m) | 38.0 ft (11.6 m) | 17.5 ft (5.3 m) | 26.5 ft (8.0 m) | |
| Boom Tip Winch | 26,600 lb (12,065 kg) | 13,150 lb (5,965 kg) | 29.3 ft (8.9 m) | 38.1 ft (11.6 m) | 47.3 ft (14.4 m) | 4.1 ft (1.3 m) | 5.6 ft (1.7 m) | 6.6 ft (2.0 m) | 19.1 ft (5.8 m) | 28.1 ft (8.6 m) | 37.3 ft (11.4 m) | 17.5 ft (5.3 m) | 26.5 ft (8.0 m) | |

OPTIONAL EQUIPMENT

- Diggers/Augers
- Fiberglass Personnel Platform
- Full Pressure Upper Controls
- Hydraulic Overload Protection (HOP)
- Material Handling Jibs
- Pole Puller
- Pole Guide
- Various Types of Outriggers
- Auger Storage on Right Side
- Boom Tip Winch
- Command Post Operator Controls
- Hydraulic Tool Outlets at Upper Controls
- Manual Fiberglass 4th Section (Adds 4 Feet)
- Multi-Part Line Components
- Planetary Slip Brake Rotation
- Radio Remote Controls
- Single Stick "T" Control
- Start/Stop and Throttle Advance at Top Controls
- Various Types of Controls
- Corner Mount Derrick

Effective Date: March 1, 2007. Product specifications and prices are subject to change without notice or obligation. The photographs and/or drawings in this document are for illustrative purposes only. Refer to the appropriate Operator's Manual for instructions on the proper use of this equipment. Failure to follow the appropriate Operator's Manual when using our equipment or to otherwise act irresponsibly may result in serious injury or death. The only warranty applicable to our equipment is the standard written warranty applicable to the particular product and sale and Terex makes no other warranty, express or implied. Products and services listed may be trademarks, service marks or trade-names of Terex Corporation and/or its subsidiaries in the USA and other countries and all rights are reserved. "Terex" is a registered trademark of Terex Corporation in the USA and many other countries. Copyright 2007 Terex Corporation.