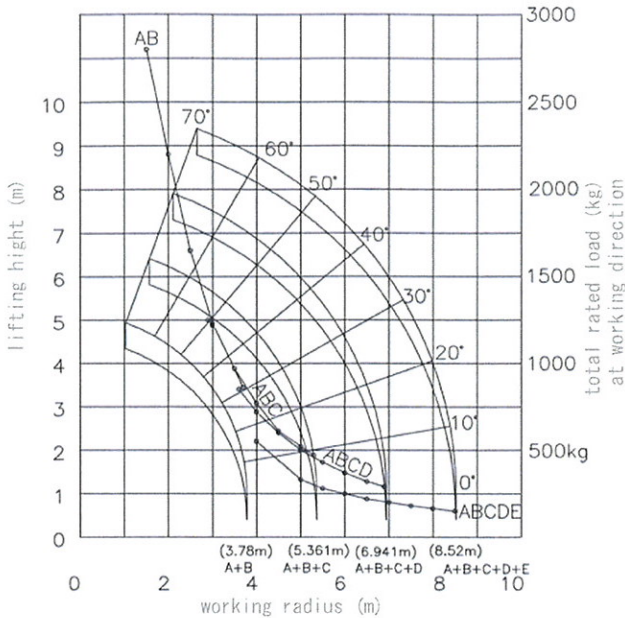
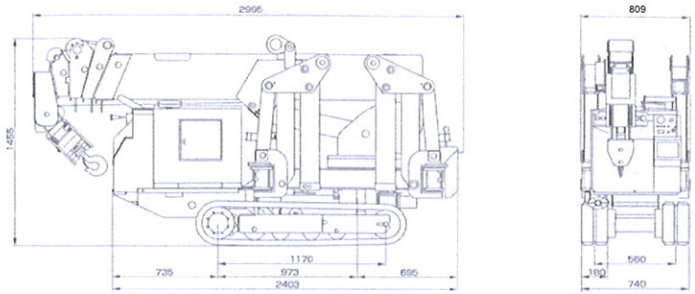


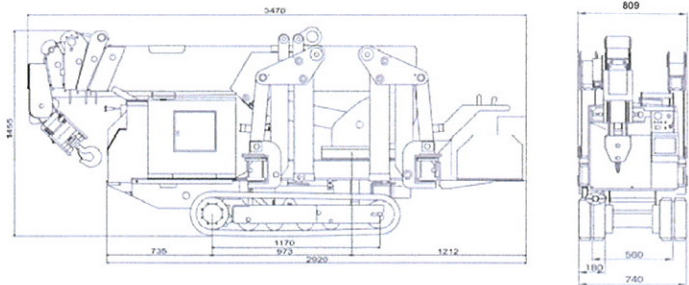
working radius



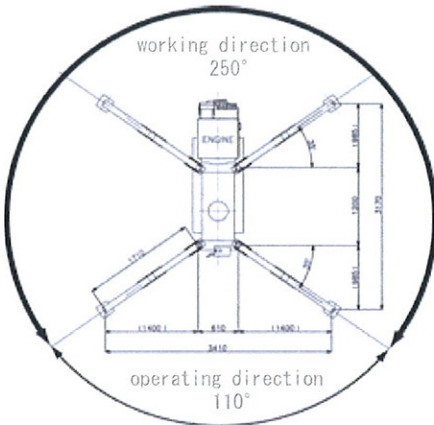
dimensions for standard



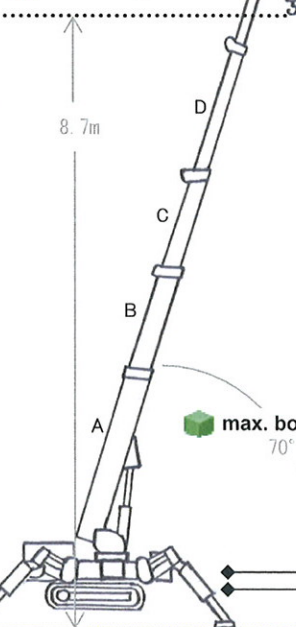
dimensions for electric motor mounted



outrigger positions



max. lifting



rated load

	A+B+C+D+E									
working radius(m)	~4.0	5.0	5.5	6.0	6.5	7.0	7.5	8.0	8.52	
working direction (t)	0.55	0.33	0.28	0.25	0.22	0.21	0.18	0.17	0.15	
operating direction (t)	0.49	0.32	0.26	0.23	0.19	0.16	0.14	0.11	0.10	

	A+B+C+D							
working radius(m)	~3.6	4.0	4.5	5.0	5.5	6.0	6.5	6.94
working direction (t)	0.85	0.72	0.6	0.5	0.43	0.37	0.32	0.29
operating direction (t)	0.61	0.49	0.39	0.32	0.26	0.23	0.19	0.16

	A+B+C						
working radius(m)	~2.9	3.0	3.5	4.0	4.5	5.0	5.36
working direction (t)	1.25	1.22	0.97	0.77	0.61	0.53	0.47
operating direction (t)	1.02	1.01	0.66	0.49	0.39	0.32	0.28

	A+B					
working radius(m)	~1.5	2.0	2.5	3.0	3.5	3.78
working direction (t)	2.8	2.2	1.65	1.23	0.97	0.86
operating direction (t)	2.35	1.80	1.41	1.01	0.66	0.56

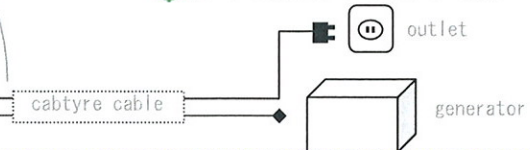
gradability



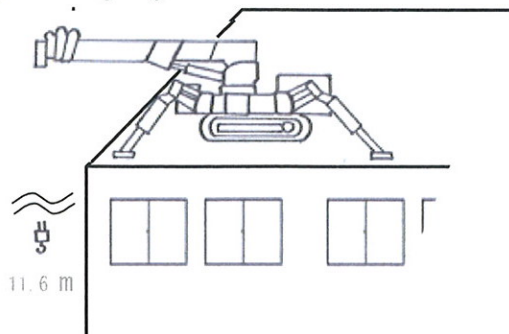
max. boom angle

70°

power sources for electric motor



max. lifting range under the



color choises

- mighty blue
- metallic blue
- metallic gray

refer to catalogue or website for better image

how to read model name

- D = diesel engine
- M = moment limiter
- E = electric motor

specifications

model	CR285D		
rated load	2.8t x 1.5m		
maximum working radius	8.5m x 150kg		
maximum lifting height	8.7m		
winch system	hook speed/min	11.3m (at 4th layers/4 falls)	
	hoist wire rope	IWRC6 x Fi(29) 8mm x 50m	
telescoping system	boom configuration	full automatic 5-sections pentagonal telescopic boom (boom C, D & E slide simultaneously)	
	boom length	2.565m~4.186m~5.766m~7.346m~8.926m	
	boom telescoping stroke/time	6.36m/22sec	
boom hoisting system	boom angle/time	0-70° /8sec	
swing system	swing angle/time	360° continuous rotation/16sec	
outrigger	type	manual extend & swing out, lowering by hydraulic cylinder	
	max. extended width	3410mm x 3170mm	
travel system	type	hydraulic motor stepless speed changer	
	travel speed	0-2.2km/h (forward/back)	
	gradeability (design limit)	20°	
	crawler ground length x width	standard	1,170mm x 180mm
		electric motor mounted	41.9[0.43kgf/cm ²]kPa
ground pressure	standard	50.01[0.51kgf/cm ²]kPa	
engine	model	Yanmar 2TNV70	
	type	liquid cooled, 4 cycle, 2 cylinder, diesel	
	displacement	0.570L [570cc]	
	continuous rated output	7.9kw(10.59hp)/2,600rpm/min ⁻¹ [10.7ps/2,600rpm]	
	fuel/fuel tank capacity	diesel 20L	
remote control	method	cable	
	speed mode	high/low	
overall size LxWxH	operation	winch, telescoping, hoisting, swing, emergency stop, horn	
	standard	2,995mm x 809mm x 1,455mm	
machine weight	electric motor mounted	3,470mm x 809mm x 1,455mm	
	standard	1750kg	
boom extension form	electric motor mounted	2,150kg	
	standard	2 hydraulic, 2 wire-link	
hook	weight	23kg	
	number of sheaves	2	
	hook-in system	standard	
outrigger extension pattern	maximum extension only		
crane operation	hydraulic		
remote control	availability	standard	
	operating system	cable	
moment limiter	option (charged)		
tricolored light	availability	option (charged)	
	type	option (charged)	
electric motor	type	fan cooled motor	
	size	5.5kw, AC	
	voltage, frequency, etc.	380V, 50Hz, 4pole, 3phase or 230V/460V, 60Hz, 4pole, 3phase	
	power sources	generator, outlet, etc.	
maximum lifting range under the ground	max. 11.6m (4 falls)		
head lamp	option (charged)		
rubber crawler shoe	standard: white free option: black		
standard color	standard: mighty blue		
	free options: metallic gray, metallic blue on request: an original color, name print		
emergency stop switch	standard		
over hoist prevention device	standard		
CE standard	diesel engine: applied electric motor: will be applied in 2011		
USA standard	diesel engine: will be applied 2011 electric motor: will be applied in 2011		
free fall	not available		



focus



moment limiter

cable remote controller



electric motor