

# AC6-46 Articulating Crane

## Specifications

Number of Extensions	1-Hydraulic	2-Hydraulic	3-Hydraulic	4-Hydraulic
Crane Rating*	46,300 ft-lb (6.4 tm)	46,300 ft-lb (6.4 tm)	46,300 ft-lb (6.4 tm)	46,300 ft-lb (6.4 tm)
Max. Horizontal Reach	17' 10" (5.44 m)	23' 4" (7.10 m)	28' 8" (8.74 m)	34' 1" (10.40 m)
Max Vertical Reach Hydraulic	27' 7" (8.40 m)	32' 10" (10.0 m)	38' 1" (11.6 m)	43' 4" (13.2 m)
Max. Capacity	5,800 lb (2,630 kg)	5,650 lb (2,565 kg)	5,430 lb (2,465 kg)	5,270 lb (2,390 kg)
Max Capacity @ Max Reach	2,670 lb (1,210 kg)	1,930 lb (875 kg)	1,430 lb (650 kg)	1,080 lb (490 kg)
Crane Weight**	1,984 lb (900 kg)	2,139 lb (970 kg)	2,271 lb (1030 kg)	2,381 lb (1080 kg)

\*Crane rating (ft-lb) is the rated load (lb) x the respective distance (ft) from centerline of rotation with all extensions retracted and the inner and outer booms in a horizontal position, per ANSI B30.22.

\*\*Crane weight does not include outrigger

## Specifications

Outrigger Foot Diameter	5.91" (150 mm)	Optimum Pump Capacity	5.3 gpm (20 L/min)
Crane Storage Height	77" (1,950 mm)	System Pressure	3,630 psi (250 bar)
Mounting Space***	23.62" (600 mm)	Outrigger Extension Span	
Rotational Torque	9,853 ft-lb (1336 daNm)	Standard (manual out, hydraulic down)	10' 10" (3.30 m)
Rotation	400°		
Oil Reserve Capacity	9.2 gal (35 L)		

\*\*\*Allow an additional 10" between the cab and crane base for swing clearance.

## Minimum Chassis Specifications

Gross Vehicle Weight Rating (GVWR)	22,040 lb
Resistance to Bending Moment (RBM)	361,965 in-lb

## Notes

A. Weight distribution calculations are required to determine final axle loading. The use of service bodies, diesel engines, or longer wheelbase, can increase the minimum chassis requirements. Please contact Auto Crane for details.

B. GAWR (Gross Axle Weight Rating) is the total weight of the vehicle including the (chassis, driveline, occupants, cargo, etc. ) that is allowed by the manufacturer requirements, for the vehicle to go down the road safely. This is a critical factor in purchasing a truck for the crane application. All chassis and crane applications must be tested by engineering and the final assembler to ensure stability per ANSI B30.22.

## System Characteristics

### Rotation System

Our Articulating Cranes utilize a rack and pinion rotation system which provides high torque for demanding applications. The column turns on bushings made of an advanced composite material for long service life. The rotation cylinders are protected by a load holding valve and flow controls to ensure safe and precise operation.

### Cylinder Holding Valves

Flanged load holding valves on hydraulic cylinders provide smooth load control and load holding. In the event of a hose failure, they lock the cylinder in place to prevent uncontrolled crane movement or falling loads.

### Hydraulic Overload System

Providing the Hydraulic Overload protection are main relief and port relief valves, as well as counterbalance valves.

### Hydraulic System

The hydraulic system is open-center as standard. Included on the crane is a hydraulic oil reservoir, return line filter, high-pressure filter(1), and control valve with dual-side controls(2). An optional closed-center valve is available on request.

### Exceptions

(1) Cranes with manual controls do not have high pressure filter

(2) Cranes with radio controls do not have dual-side controls



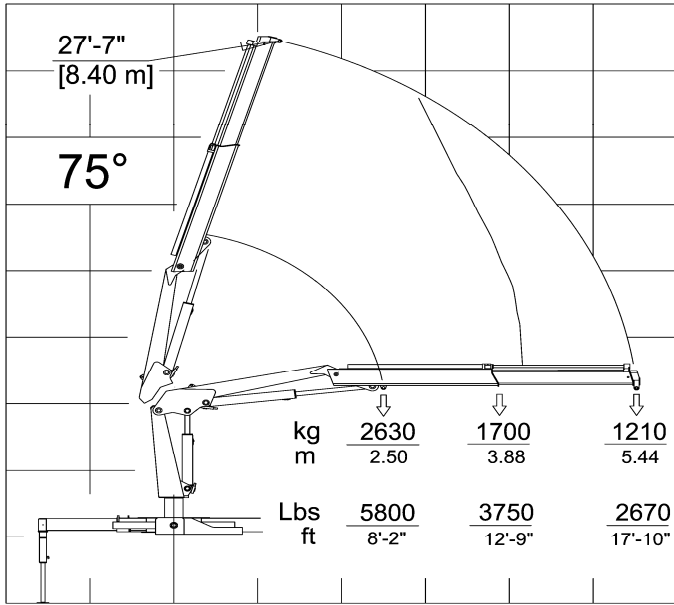
4707 N. Mingo Road  
Tulsa, OK 74117  
918-836-0463  
www.autocrane.com

AC6-46

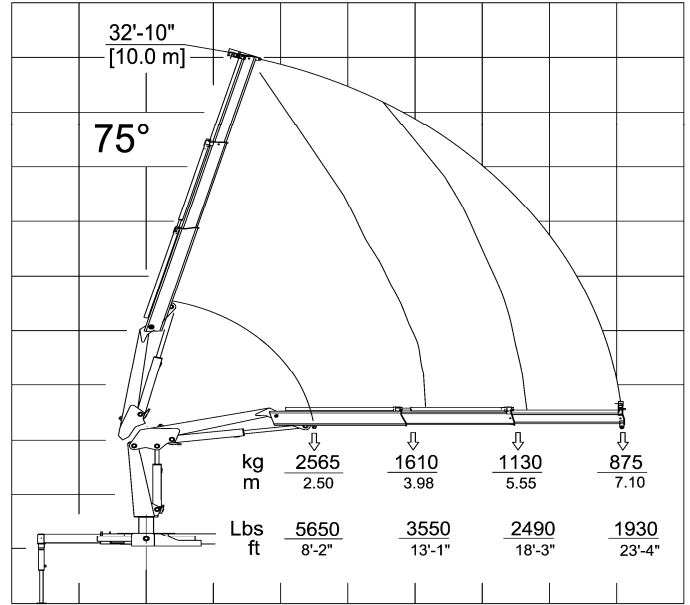
# AC6-46 Articulating Crane

## Capacity Charts

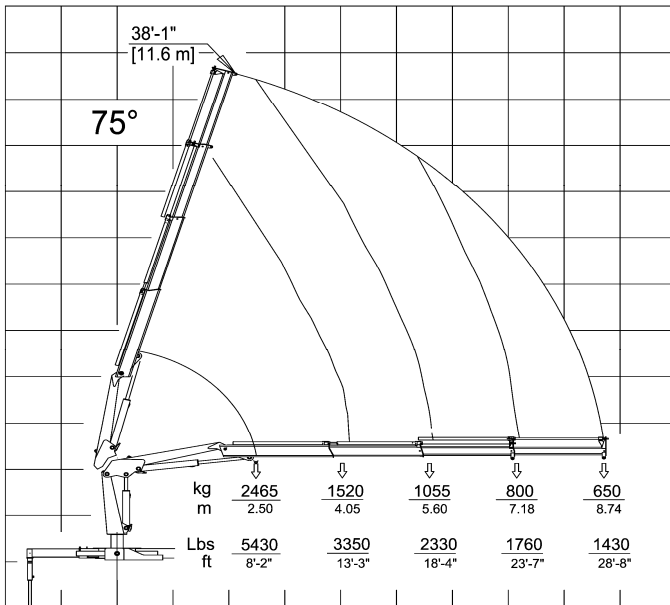
### AC6-46 1 Hydraulic Extension



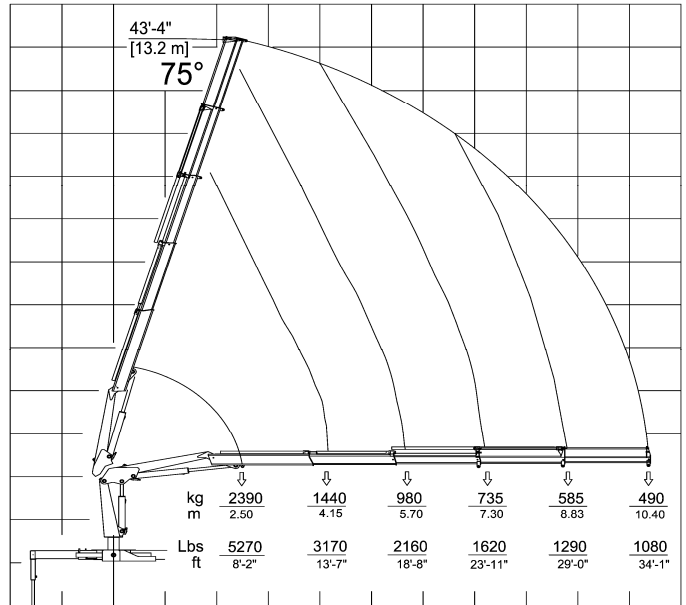
### AC6-46 2 Hydraulic Extensions



### AC6-46 3 Hydraulic Extension



### AC6-46 4 Hydraulic Extensions

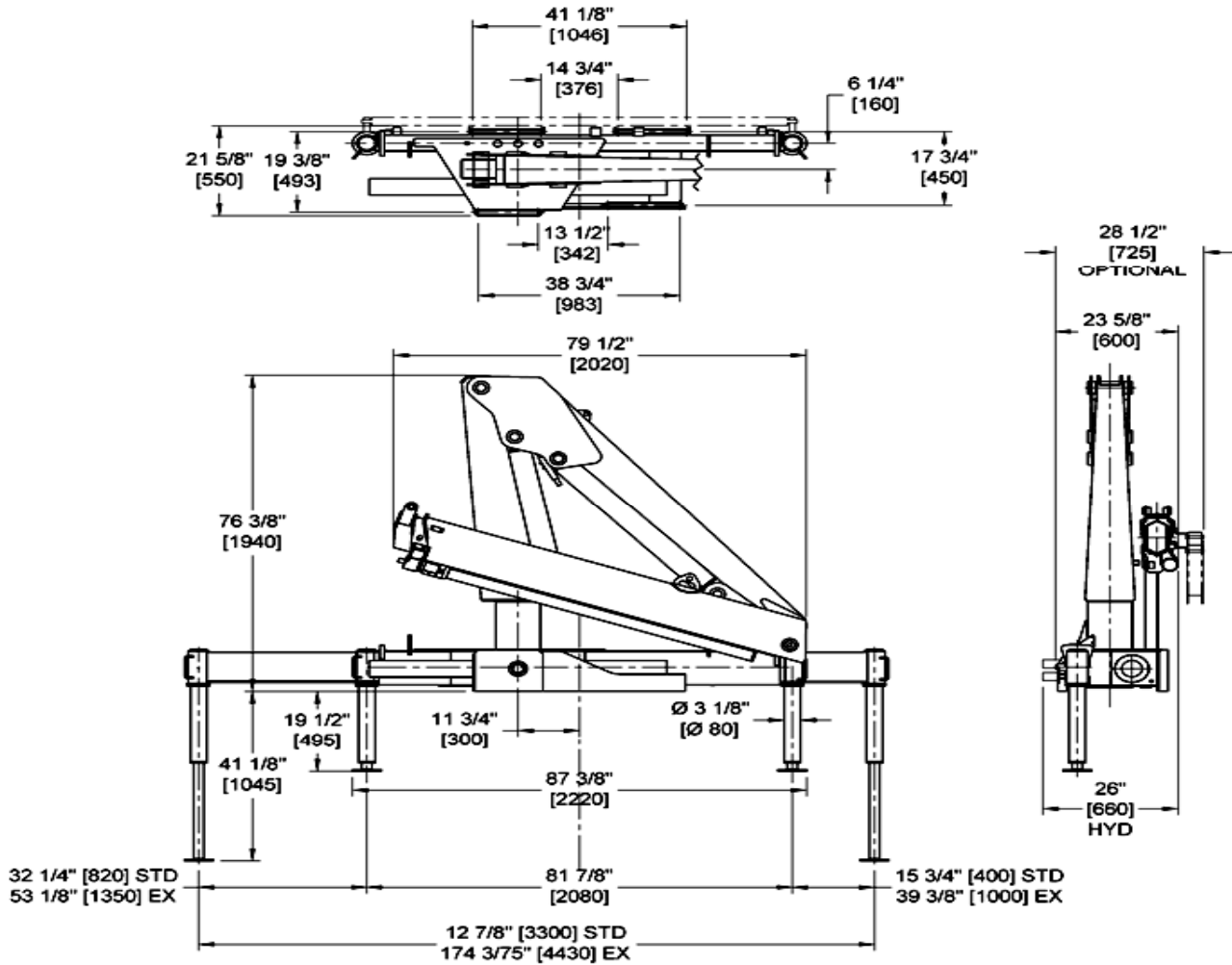


4707 N. Mingo Road  
Tulsa, OK 74117  
918-836-0463  
www.autocrane.com

# AC6-46 Articulating Crane

## Geometric Configurations (Dimensions)

### AC6-46 4 Hydraulic Extensions



### Special Features (on select models)



4707 N. Mingo Road  
Tulsa, OK 74117  
918-836-0463  
www.autocrane.com